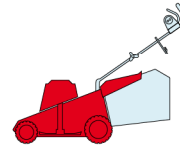
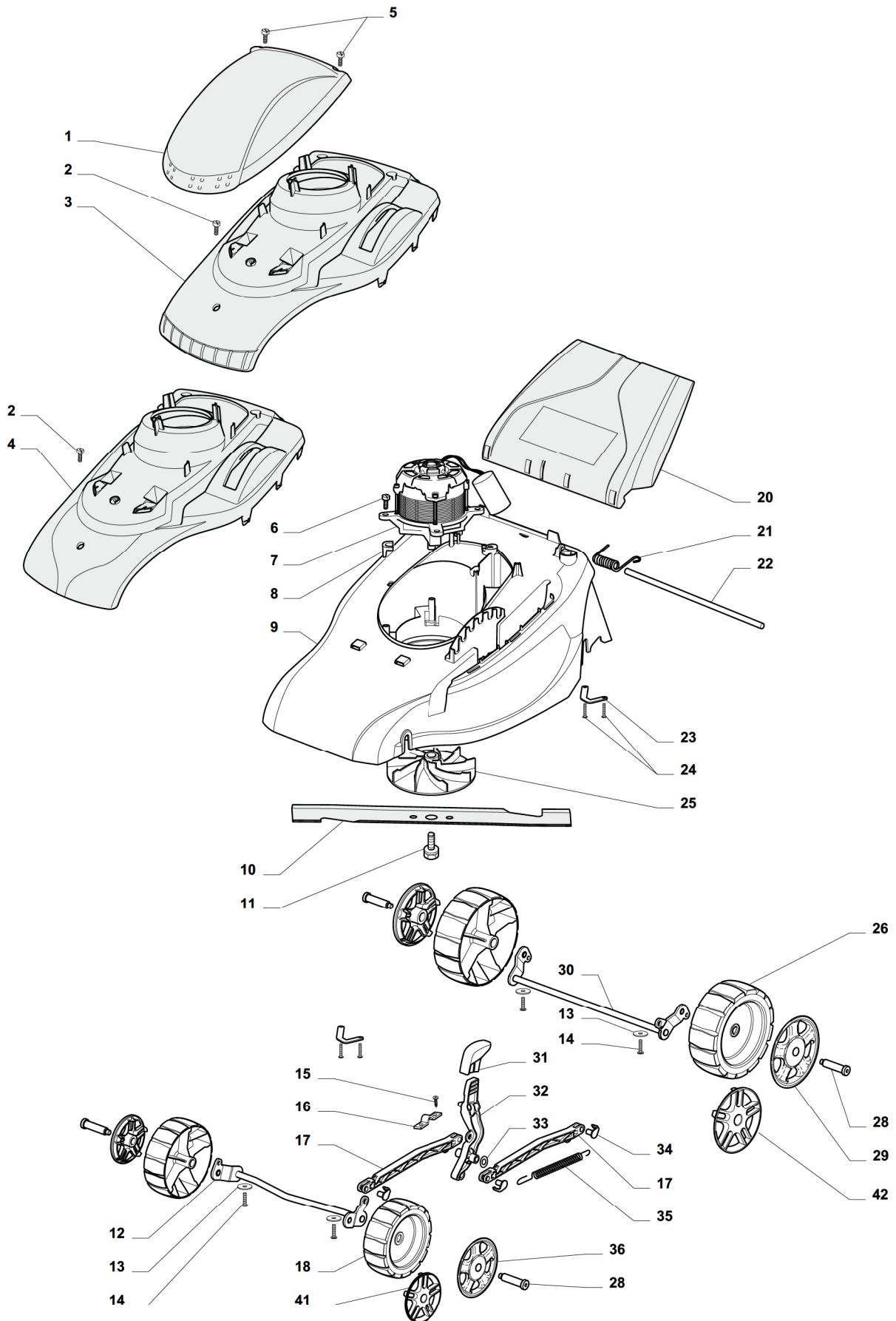


# NCL 390

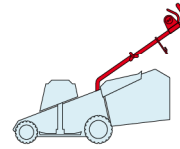


2009
<b>E7001.0</b>
1 / 2

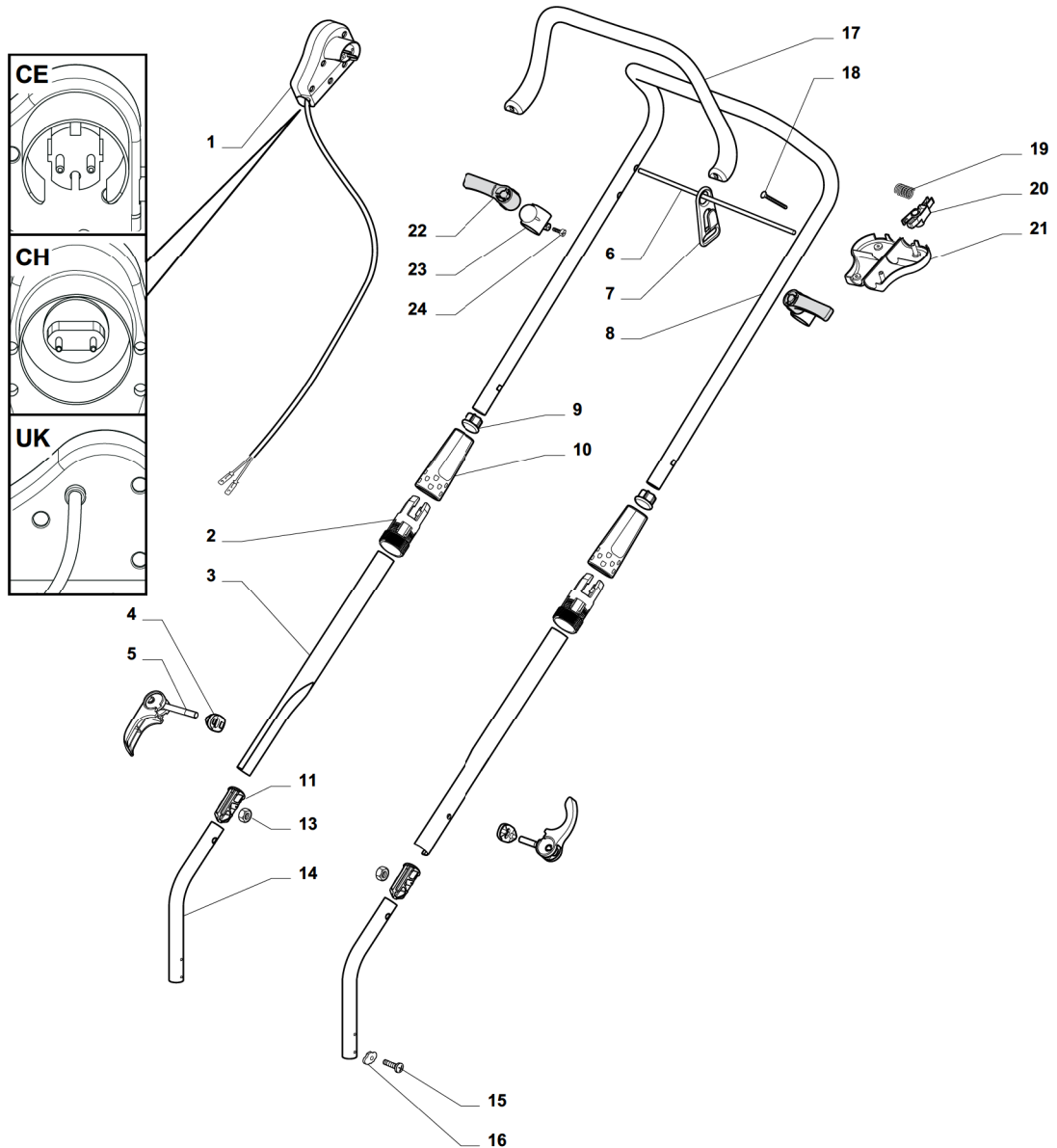


POS.	CODE	Q.TY	DESCRIZIONE	DESCRIPTION	DESCRIPTION	BESCHREIBUNG	REMARKS
1	322055128/0	1	Capottina Rosso	Cover Red	Capot Rouge	Haube Rot	
1	322055129/0	1	Capottina Giallo	Cover Yellow	Capot Jaune	Haube Gelb	
2	12728124/0	1	Vite	Screw	Vis	Schraube	
3	322785254/0	1	Supporto Capottina, Grigio	Grey Support, Cover	Support Capot Gris	Halter, Haube Grau	
4	322785246/0	1	Supporto Capottina, Grigio	Grey Support, Cover	Support Capot Gris	Halter, Haube Grau	
4	322785247/0	1	Supporto Capottina, Nero	Black Support, Cover	Support Capot Noir	Halter, Haube Schwarz	
5	12728701/0	2	Vite	Screw	Vis	Schraube	
6	12735410/0	4	Vite	Screw	Vis	Schraube	
7	118563661/0	1	Motore	Motor	Moteur	Motor	Leo - 230-240V (1500W)
7	118563660/0	1	Motore	Motor	Moteur	Motor	Leo - 230-240V (1300W)
8	22167700/0	4	Distanziale	Spacer	Entretoise	Distanzring	
9	322066721/0	1	Chassis Rosso	Deck Red	Châssis Rouge	Gehäuse Rot	
9	322066722/0	1	Chassis Giallo	Deck Yellow	Châssis Jaune	Gehäuse Gelb	
10	81004142/0	1	Coltello	Blade	Lame	Messer	
11	81004352/0	1	Vite	Screw	Vis	Schraube	
12	381002855/0	1	Asse Ruote Anteriori	Axle, Front Wheels	Axe Roues Avant	Achse, Vorderrad	
13	12523050/0	4	Rosetta	Washer	Rondelle	Scheibe	
14	112728705/0	4	Vite	Screw	Vis	Schraube	
15	12728701/0	2	Vite	Screw	Vis	Schraube	
16	25547049/0	1	Piastrina	Plate	Plaquette	Plättchen	
17	322869669/0	2	Asta Comando Regol. Altezza	Tie Rod	Tirant	Spannstange	
18	322686094/0	2	Ruota Ø 130	Wheel Ø 130	Roue Ø 130	Rad Ø 130	
20	322600174/0	1	Parasassi Grigio	Stone-Guard, Grey	Pare-Pierres, Gris	Prallblech, Grau	
21	22450250/0	1	Molla	Spring	Ressort	Feder	
22	22512601/0	1	Perno	Pin	Pivot	Bolzen	
23	322545175/0	1	Piastrina	Plate	Plaquette	Plättchen	
24	12728701/0	2	Vite	Screw	Vis	Schraube	
25	22465602/0	1	Mozzo/Girante	Hub	Moyeu	Halter	
26	322686095/0	2	Ruota Ø 160	Wheel Ø 160	Roue Ø 160	Rad Ø 160	
28	22524337/0	4	Perno	Pin	Pivot	Bolzen	
29	22110421/0	2	Coprizzo Grigio	Hub Cap Grey	Couvre-Moyeu Gris	Radkappe Grau	
30	381002857/0	1	Asse Ruote Posteriori	Axle, Rear Wheels	Axe Roues Arriere	Achse, Hinterrad	
31	322399827/0	1	Manopolina	Knob	Poignée	Griff	
32	322321528/0	1	Leva Regolazione Altezza	Lever, Height Adjustment	Levier Reglage Hauteur	Hebel, Höhenverstellung	
33	112520033/0	1	Rosetta	Washer	Rondelle	Scheibe	
34	22524338/0	4	Perno	Pin	Pivot	Bolzen	
35	122450425/0	2	Molla	Spring	Ressort	Feder	
36	22110420/0	2	Coprizzo Grigio	Hub Cap Grey	Couvre-Moyeu Gris	Radkappe Grau	
41	322110561/0	2	Coprizzo Grigio	Hub Cap Grey	Couvre-Moyeu Gris	Radkappe Grau	
42	322110562/0	2	Coprizzo Grigio	Hub Cap Grey	Couvre-Moyeu Gris	Radkappe Grau	

# NCL 390



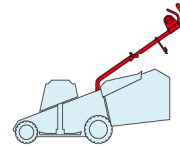
2009
<b>E7002.0</b>
1 / 2



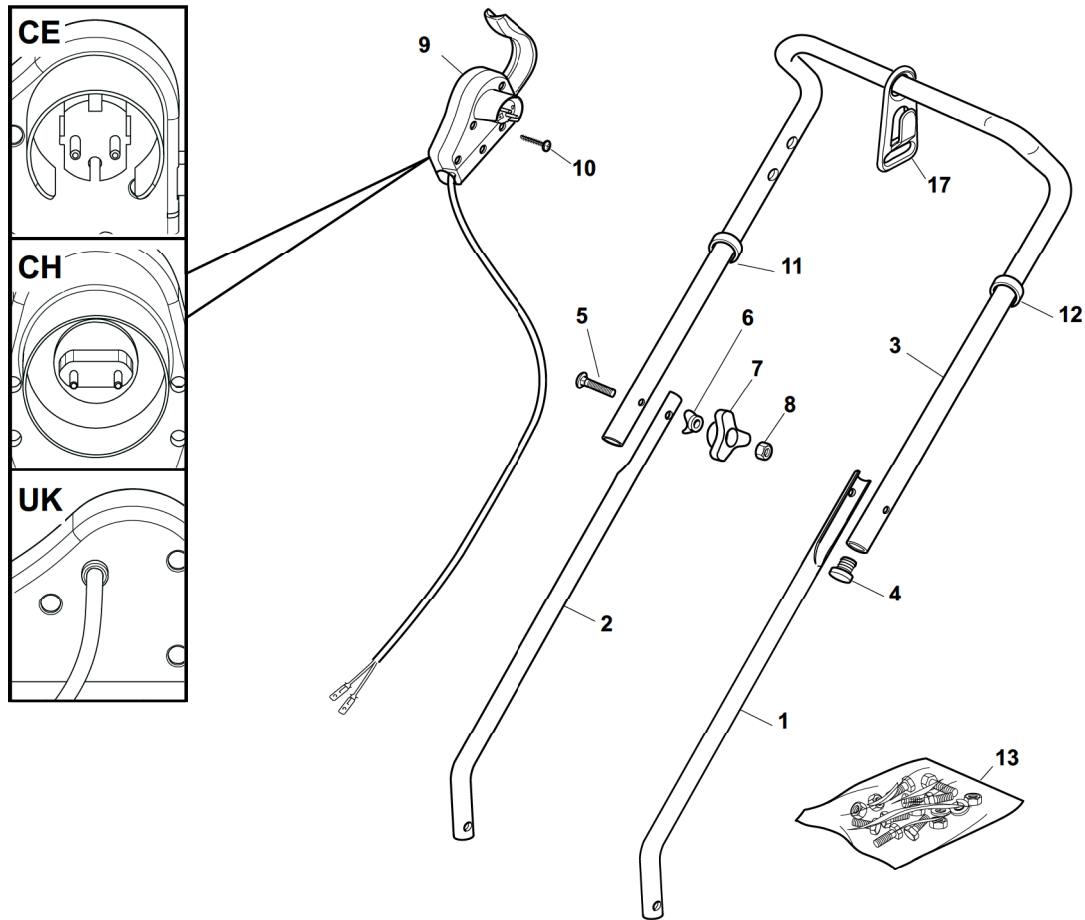
POS.	CODE	Q.TY	DESCRIZIONE	DESCRIPTION	DESCRIPTION	BESCHREIBUNG	REMARKS
1	381600503/2	1	Salvatore	Dead Hand Switch	Int. Main Morte	Tot Manschalter	CE
1	381600505/2	1	Salvatore	Dead Hand Switch	Int. Main Morte	Tot Manschalter	UK
1	381600504/2	1	Salvatore	Dead Hand Switch	Int. Main Morte	Tot Manschalter	CH
2	322245063/0	2	Ghiera Interna	Ring Nut, Internal			
3	381006679/0	1	Manico, Parte Intermedia	Handle, Middle Part	Mancheron	Holm	
4	322680014/0	2	Rosetta	Washer	Rondelle	Scheibe	
5	381003252/0	2	Leva Blocc. Manico	Lever, Handle Blocking			
6	22010250/0	1	Asta Aggancio Fermacavo	Rod, Fairlead Bearing	Tige Support Serrecable	Stange, Kabelhalter	
7	22195101/4	1	Fermacavo	Fairlead	Fixation Cable	Kabelbefestigung	
8	81006941/4	1	Manico, Parte Sup	Handle, Upper Part	Mancheron, Partie Sup.	Holm, Oberteil	
9	22820066/1	2	Puntale	Cap	Bouchon	Gummistopfen	
10	322245062/0	2	Ghiera Esterna	Ring Nut, External			
11	322820081/0	2	Puntale	Cap	Bouchon	Gummistopfen	
13	12293200/0	2	Dado	Nut	Ecrou	Mutter	

POS.	CODE	Q.TY	DESCRIZIONE	DESCRIPTION	DESCRIPTION	BESCHREIBUNG	REMARKS
14	381006675/1	1	Manico, Parte Inf.	Handle, Lower Part	Mancheron, Partie Inferieure	Holm, Unterteil	
15	12731600/1	2	Vite	Screw	Vis	Schraube	
16	22545135/0	2	Piastrina	Plate	Plaquette	Plättchen	
17	322322880/1	1	Leva Freno Motore, Nero	Lever, Engine Brake	Levier Frein Moteur	Hebel, Motorbremse	
17	322322882/1	1	Leva Freno Motore, Rosso	Lever, Engine Brake	Levier Frein Moteur	Hebel, Motorbremse	
17	322322883/1	1	Leva Freno Motore, Giallo	Lever, Engine Brake	Levier Frein Moteur	Hebel, Motorbremse	
18	12728701/0	4	Vite	Screw	Vis	Schraube	
19	22450115/0	1	Molla	Spring	Ressort	Feder	
20	322230350/1	1	Fulcro	Fulcrum Pin	Point D'Appui	Gelenkpunkt	
21	22785144/0	1	Supporto	Support	Support	Halter	
22	322321530/0	2	Leva Avvolgicavo	Coiler Cable, Lever	Levier Support Serrecable	Hebel, Kabelhalter	
23	322321531/0	2	Base Avvolgicavo	Coiler Cable, Base	Base De Support Serrecable	Unterseite, Kabelhalter	
24	12728691/0	2	Vite	Screw	Vis	Schraube	

# NCL 390

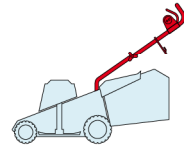


2009  
E7003.0  
1 / 1

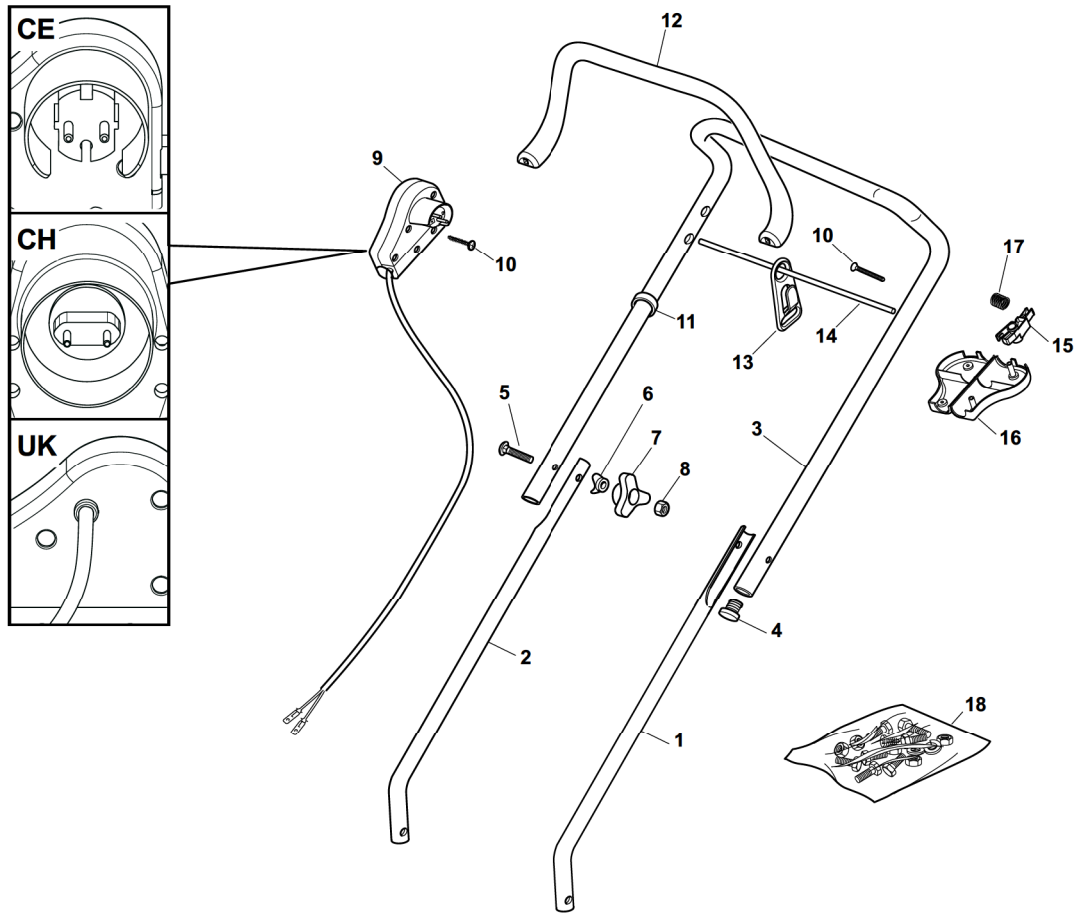


POS.	CODE	Q.TY	DESCRIZIONE	DESCRIPTION	DESCRIPTION	BESCHREIBUNG	REMARKS
1	81006940/1	1	Manico, Parte Inf Sx	Handle, L Lower	Mancheron, Partie Inférieure G	Holm, Linke Unterteil	
2	81006939/1	1	Manico, Parte Inf Dx	Handle, R Lower	Mancheron, Partie Inférieure D	Holm, Rechte Unterteil	
3	81006941/4	1	Manico, Parte Sup	Handle, Upper Part	Mancheron, Partie Sup.	Holm, Oberteil	
4	18566112/0	2	Puntale	Cap	Bouchon	Gummistopfen	
5	12819120/0	2	Vite	Screw	Vis	Schraube	
6	22680006/1	2	Rosetta	Washer	Rondelle	Scheibe	
7	22399900/0	2	Manopolina	Knob	Poignée	Griff	
8	12293200/0	2	Dado	Nut	Ecrou	Mutter	
9	81600500/1	1	Salvatore	Dead Hand Switch	Int. Main Morte	Tot Manschalter	CE
9	81600501/1	1	Salvatore	Dead Hand Switch	Int. Main Morte	Tot Manschalter	CH
9	81600502/1	1	Salvatore	Dead Hand Switch	Int. Main Morte	Tot Manschalter	UK
10	12728701/0	2	Vite	Screw	Vis	Schraube	
11	22192000/1	1	Fascetta	Anchor Clamp	Collier Ancrage	Bowdenzughalter	
12	22192151/0	1	Fermacavo	Fairlead	Fixation Cable	Kabelbefestigung	
13	81008669/0	1	Dotazione Viteria	Outfit, Screws	Dotation Visserie	Satz, Schrauben	

# NCL 390

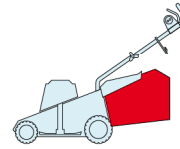


2009
<b>E7004.0</b>
1 / 1

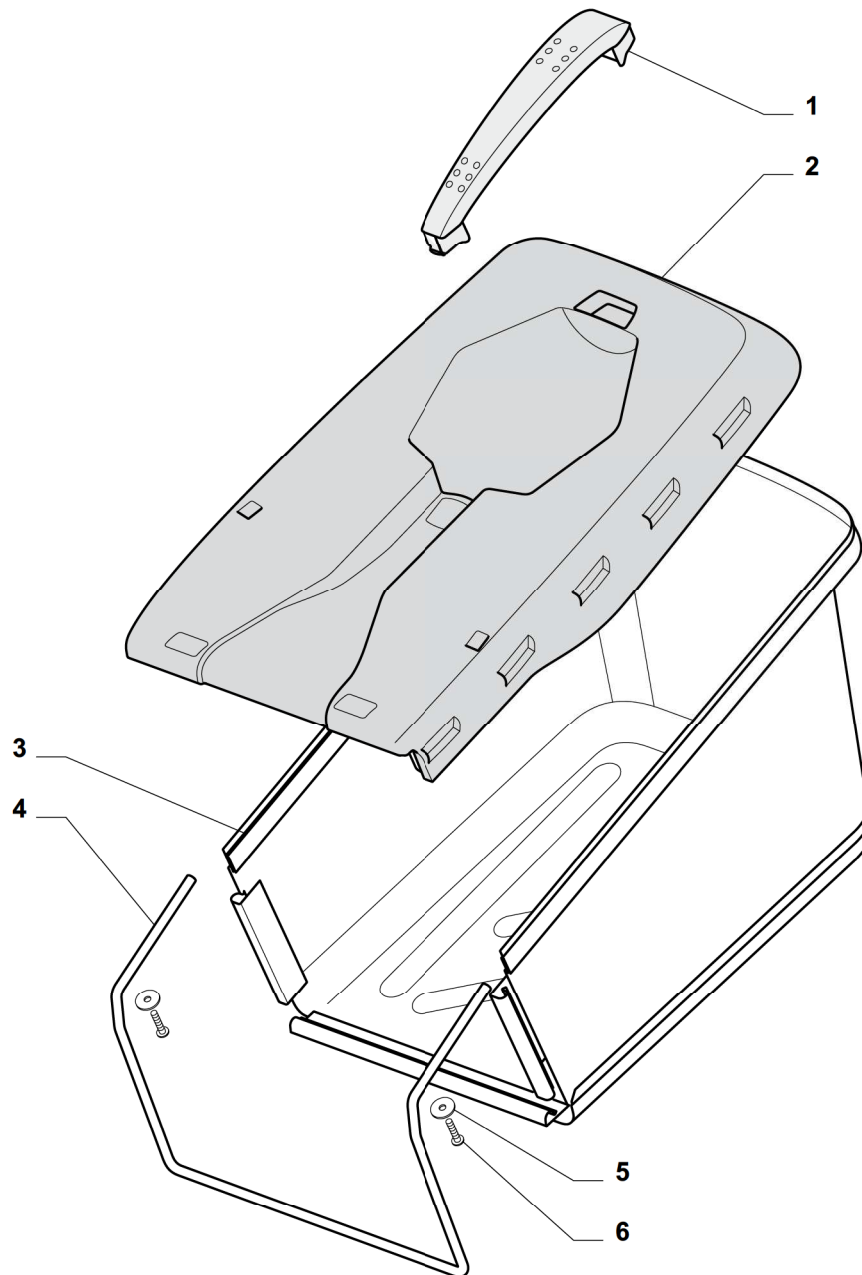


POS.	CODE	Q.TY	DESCRIZIONE	DESCRIPTION	DESCRIPTION	BESCHREIBUNG	REMARKS
1	81006940/1	1	Manico, Parte Inf Sx	Handle, L Lower	Mancheron, Partie Inferieure G	Holm, Linke Unterteil	
2	81006939/1	1	Manico, Parte Inf Dx	Handle, R Lower	Mancheron, Partie Inferieure D	Holm, Rechte Unterteil	
3	81006941/4	1	Manico, Parte Sup	Handle, Upper Part	Mancheron, Partie Sup.	Holm, Oberteil	
4	18566112/0	2	Puntale	Cap	Bouchon	Gummistopfen	
5	12819120/0	2	Vite	Screw	Vis	Schraube	
6	22680006/1	2	Rosetta	Washer	Rondelle	Scheibe	
7	22399900/0	2	Manopolina	Knob	Poignée	Griff	
8	12293200/0	2	Dado	Nut	Ecrou	Mutter	
9	381600503/2	1	Salvatore	Dead Hand Switch	Int. Main Morte	Tot Manschalter	CE
9	381600505/2	1	Salvatore	Dead Hand Switch	Int. Main Morte	Tot Manschalter	UK
9	381600504/2	1	Salvatore	Dead Hand Switch	Int. Main Morte	Tot Manschalter	CH
10	12728701/0	4	Vite	Screw	Vis	Schraube	
11	22192000/1	1	Fascetta	Anchor Clamp	Collier Ancrage	Bowdenzughalter	
12	322322880/1	1	Leva Freno Motore, Nero	Lever, Engine Brake	Levier Frein Moteur	Hebel, Motorbremse	
12	322322883/1	1	Leva Freno Motore, Giallo	Lever, Engine Brake	Levier Frein Moteur	Hebel, Motorbremse	
13	22195101/4	1	Fermacavo	Fairlead	Fixation Cable	Kabelbefestigung	
14	22010250/0	1	Asta Aggancio Fermacavo	Rod, Fairlead Bearing	Tige Support Serrecable	Stange, Kabelhalter	
15	322230350/1	1	Fulcro	Fulcrum Pin	Point D'Appui	Gelenkpunkt	
16	22785144/0	1	Supporto	Support	Support	Halter	
17	22450115/0	1	Molla	Spring	Ressort	Feder	
18	81008669/0	1	Dotazione Viteria	Outfit, Screws	Dotation Visserie	Satz, Schrauben	

# NCL 390

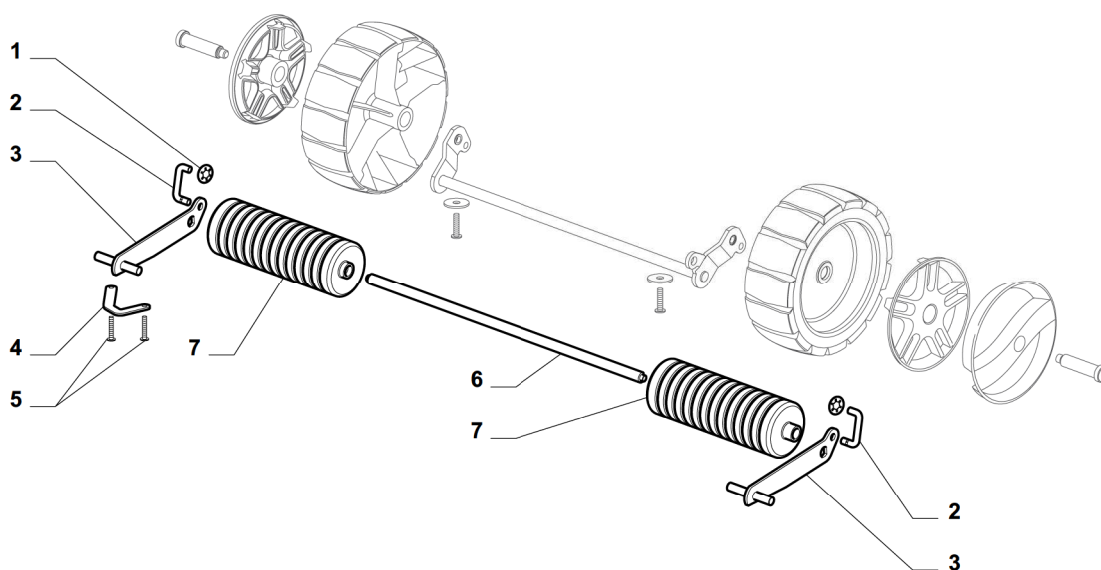
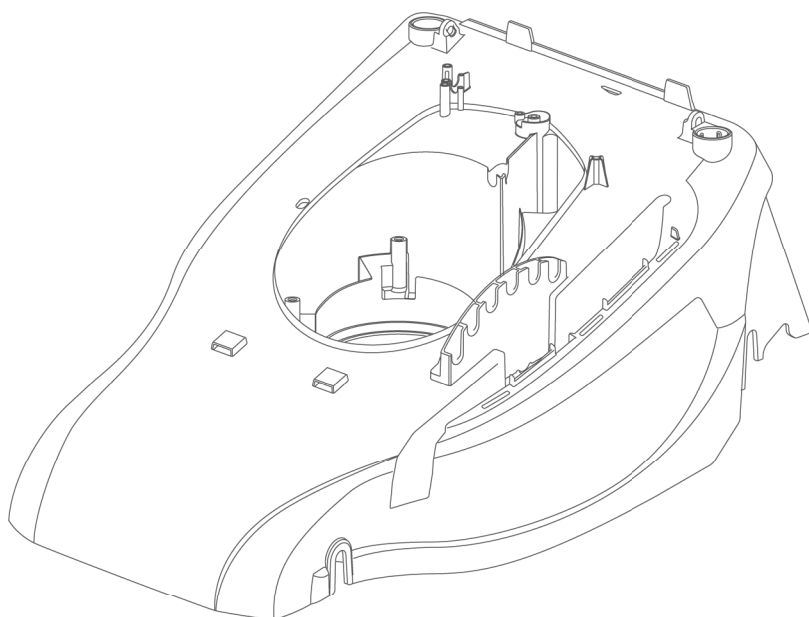


2009
<b>E7005.0</b>
1 / 1



POS.	CODE	Q.TY	DESCRIZIONE	DESCRIPTION	DESCRIPTION	BESCHREIBUNG	REMARKS
1	322393621/0	1	Maniglia, Rosso	Handle, Red	Poignee, Rouge	Griff, Rot	
1	322393622/0	1	Maniglia, Giallo	Handle, Yellow	Poignee, Jaune	Griff, Gelb	
2	322486208/0	1	Parte Sup.Sacco, Grigio	Grassbox Upper Part, Grey	Sac, Partie Superieure, Gris	Korb Oberteil, Grau	
3	181002273/0	1	Sacco, Tela Grigio	Box, Fabric	Sac, Toile	Sack, Tuck	
4	122608540/0	1	Rinforzo Inf	Stiffening Lower	Réinforcement Inf	Verstärkung	
5	112523030/0	2	Rosetta	Washer	Rondelle	Scheibe	
6	112728705/0	2	Vite	Screw	Vis	Schraube	





POS.	CODE	Q.TY	DESCRIZIONE	DESCRIPTION	DESCRIPTION	BESCHREIBUNG	REMARKS
1	12604896/0	4	Fissatore A Corona	Crown Fastener	Fixateur A Couronne	Kronescheibe	
2	122519812/0	2	Perno	Pin	Pivot	Bolzen	
3	381000809/0	2	Supporto	Support	Support	Halter	
4	322545175/0	1	Piastrina	Plate	Plaquette	Plättchen	
5	12728701/0	2	Vite	Screw	Vis	Schraube	
6	122519809/0	1	Perno Roller	Pin, Roller	Pivot, Roller	Bolzen, Roller	
7	322670012/0	2	Roller	Roller	Roller	Roller	