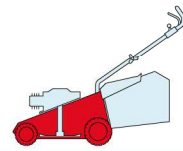
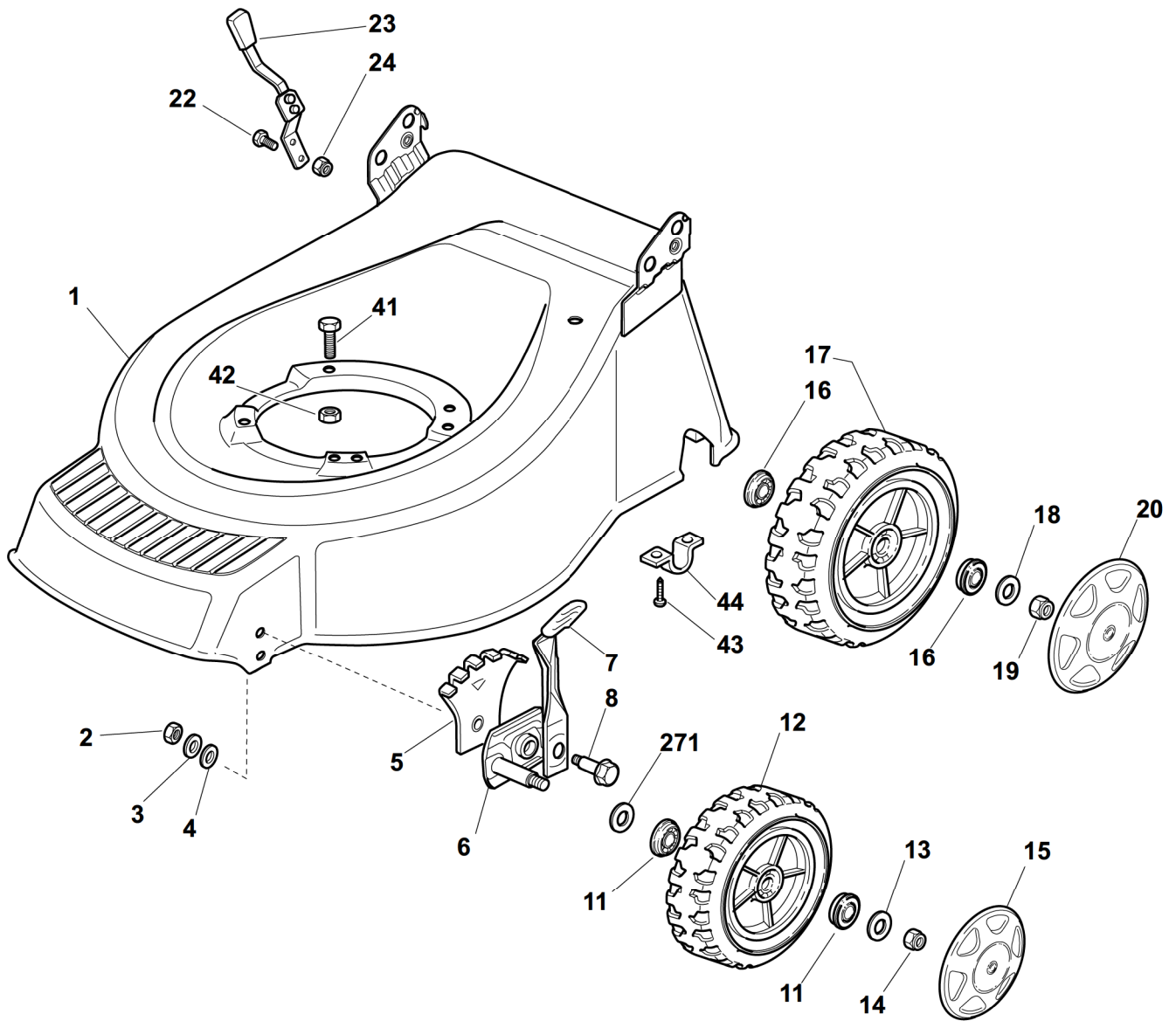


M		ML	
484		534	
TR	TR-E	TR 4S	TR-E 4S



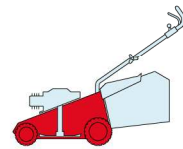
2009
28_001
1 / 2



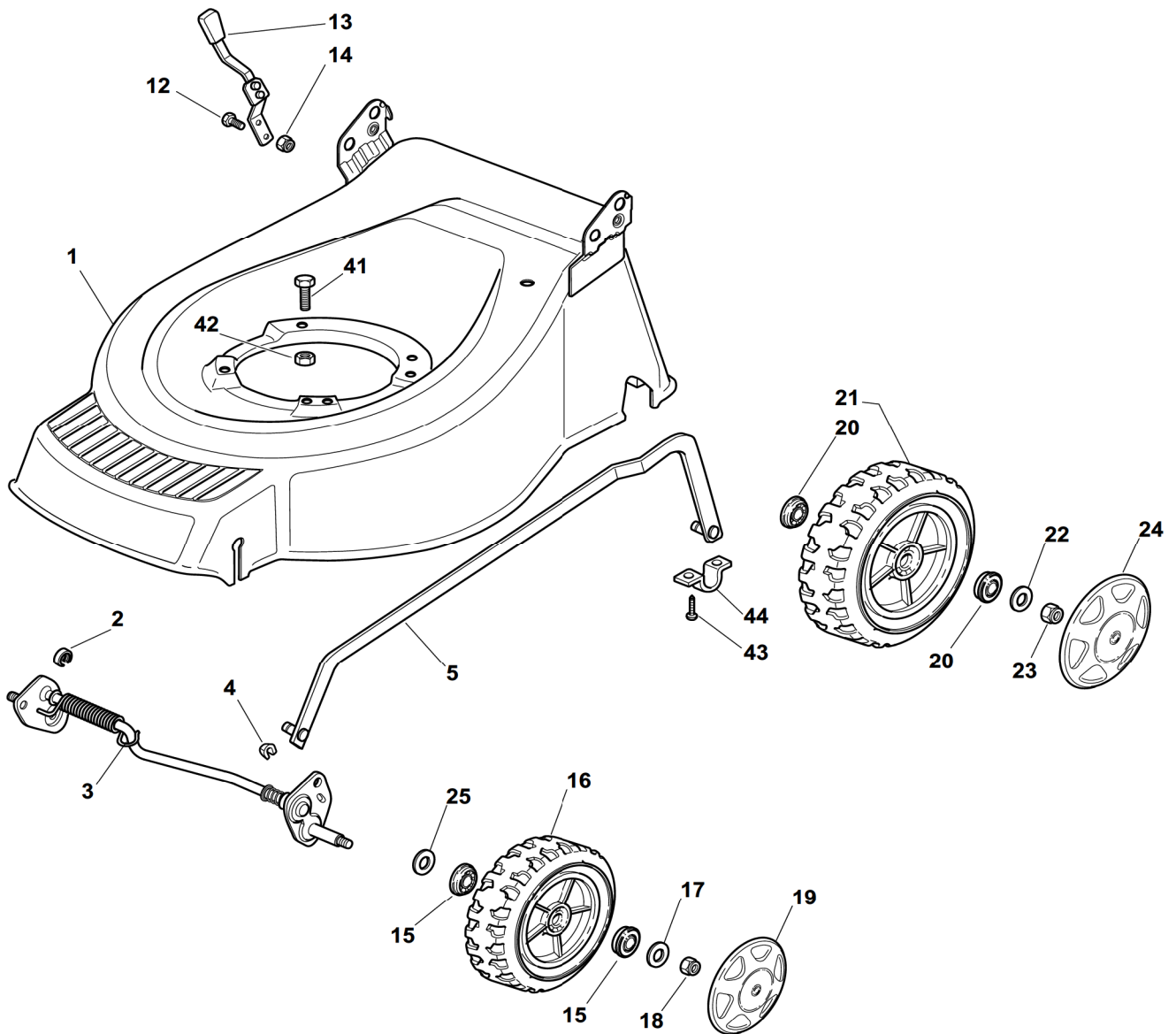
POS.	CODE	Q.TY	DESCRIZIONE	DESCRIPTION	DESCRIPTION	BESCHREIBUNG	REMARKS
1	81002974/0	1	Chassis Giallo	Deck Yellow	Châssis Jaune	Gehäuse Gelb	484
1	81002912/0	1	Chassis Giallo	Deck Yellow	Châssis Jaune	Gehäuse Gelb	534
2	12293200/0	2	Dado	Nut	Ecrou	Mutter	
3	12583500/0	2	Grower	Grower	Grower	Federring	
4	12523070/0	2	Rosetta	Washer	Rondelle	Scheibe	
5	22735547/0	2	Settore Regolazione Altezza	Sector, Height Adjustment	Secteur Reglage Hauteur	Sektor, Höheverstellung	
6	81005082/0	2	Supporto Ruota	Support, Wheel	Support Roue	Halter, Rad	
7	81003285/1	2	Leva Regolazione Altezza	Lever, Height Adjustment	Levier, Reglage Hauteur	Hebel, Höheverstellung	
8	22519811/0	2	Perno	Pin	Pivot	Bolzen	
11	22122200/0	4	Cuscinetto	Bearing	Coussinet	Lager	
12	81007351/0	2	Ruota Scolpita Ø 170	Wheel, Knobbly Ø 170	Roue Sculptee Ø 170	Rad M. Stollenpr. Ø 170	
13	12521350/0	2	Rosetta	Washer	Rondelle	Scheibe	
14	12155000/0	2	Dado	Nut	Ecrou	Mutter	
15	-	2	Coprimozzo	Hub Cap	Couvre-Moyeu	Radkappe	(See Enclosure 1)

POS.	CODE	Q.TY	DESCRIZIONE	DESCRIPTION	DESCRIPTION	BESCHREIBUNG	REMARKS
16	22122200/0	4	Cuscinetto	Bearing	Coussinet	Lager	
17	81007343/0	2	Ruota Scolpita Ø 210	Wheel, Knobbly Ø 210	Roue Sculptee Ø 210	Rad M. Stollenpr. Ø 210	
18	12369500/0	2	Disco Elastico	Elastic Washer	Disque Elastique	Federscheibe	
19	12155000/0	2	Dado	Nut	Ecrou	Mutter	
20	-	2	Coprimozzo	Hub Cap	Couvre-Moyeu	Radkappe	(See Enclosure 2)
21	12530150/0	2	Rosetta Elastica	Elastic Washer	Rondelle Elastique	Elastische Scheibe	
22	12789000/0	2	Vite	Screw	Vis	Schraube	
23	81003279/2	1	Leva Regolazione Altezza	Lever, Height Adjustment	Levier, Reglage Hauteur	Hebel, Höheverstellung	
24	12154330/0	2	Dado	Nut	Ecrou	Mutter	
41	12691800/0	0/1	Vite	Screw	Vis	Schraube	
41	12793701/0	3/2	Vite	Screw	Vis	Schraube	
42	12155000/0	0/1	Dado	Nut	Ecrou	Mutter	
42	12293201/0	3/2	Dado	Nut	Ecrou	Mutter	
43	12731350/0	4	Vite	Screw	Vis	Schraube	
44	22545152/0	2	Piastrina	Plate	Plaquette	Platte	

M		ML	
484		534	
TR	TR-E	TR 4S	TR-E 4S



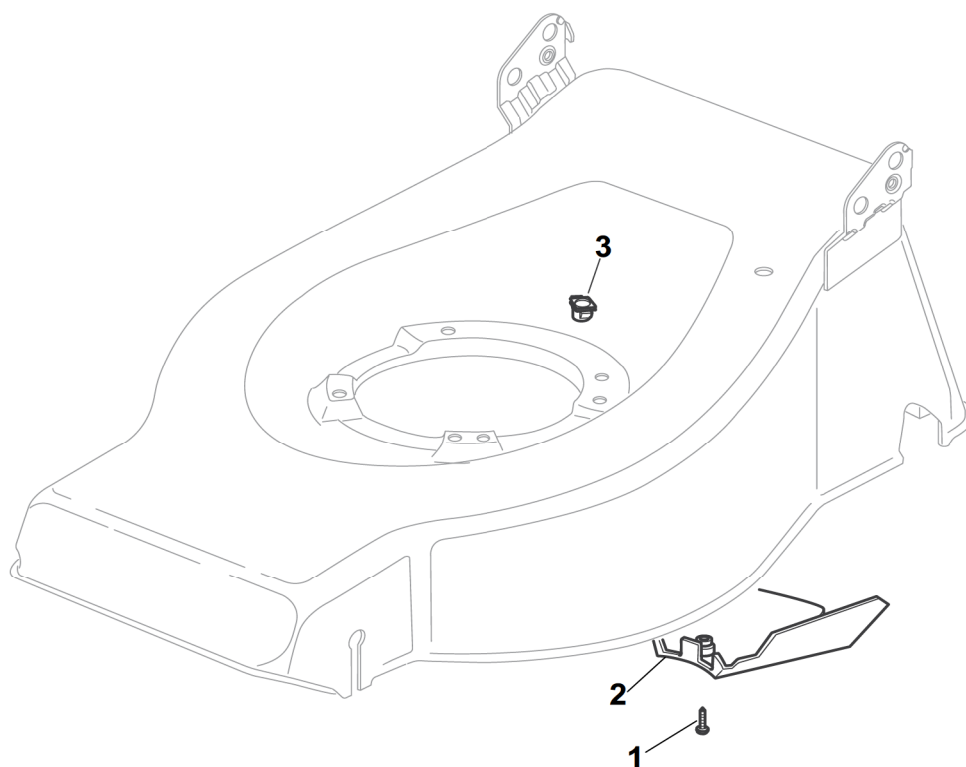
2009
28_002
1 / 2



POS.	CODE	Q.TY	DESCRIZIONE	DESCRIPTION	DESCRIPTION	BESCHREIBUNG	REMARKS
1	81002422/0	1	Chassis Giallo	Deck Yellow	Châssis Jaune	Gehäuse Gelb	484
1	81001955/1	1	Chassis Giallo	Deck Yellow	Châssis Jaune	Gehäuse Gelb	534
2	22171002/0	1	Distanziale	Spacer	Entretoise	Distanzring	
3	81000141/1	1	Asse Ruote Anteriori	Axle, Front Wheels	Axe Roues Avant	Achse, Vorderrad	484
3	81000143/1	1	Asse Ruote Anteriori	Axle, Front Wheels	Axe Roues Avant	Achse, Vorderrad	534
4	112436051/0	2	Piastrina	Plate	Plaquette	Plättchen	
5	381002020/0	1	Asta Comando Regol. Altezza	Rod, Height Adjustment	Tige Commande Reglage Hauteur	Stange, Höhenverstellung	484
5	381002021/0	1	Asta Comando Regol. Altezza	Rod, Height Adjustment	Tige Commande Reglage Hauteur	Stange, Höhenverstellung	534
12	12789000/0	2	Vite	Screw	Vis	Schraube	
13	81003283/1	1	Leva Regolazione Altezza	Lever, Height Adjustment	Levier, Reglage Hauteur	Hebel, Höhenverstellung	
14	12154320/0	2	Dado	Nut	Ecrou	Mutter	
15	22122200/0	4	Cuscinetto	Bearing	Coussinet	Lager	
16	81007351/0	2	Ruota Scolpita Ø 170	Wheel, Knobby Ø 170	Roue Sculptee Ø 170	Rad M. Stollenpr. Ø 170	
17	12521350/0	2	Rosetta	Washer	Rondelle	Scheibe	

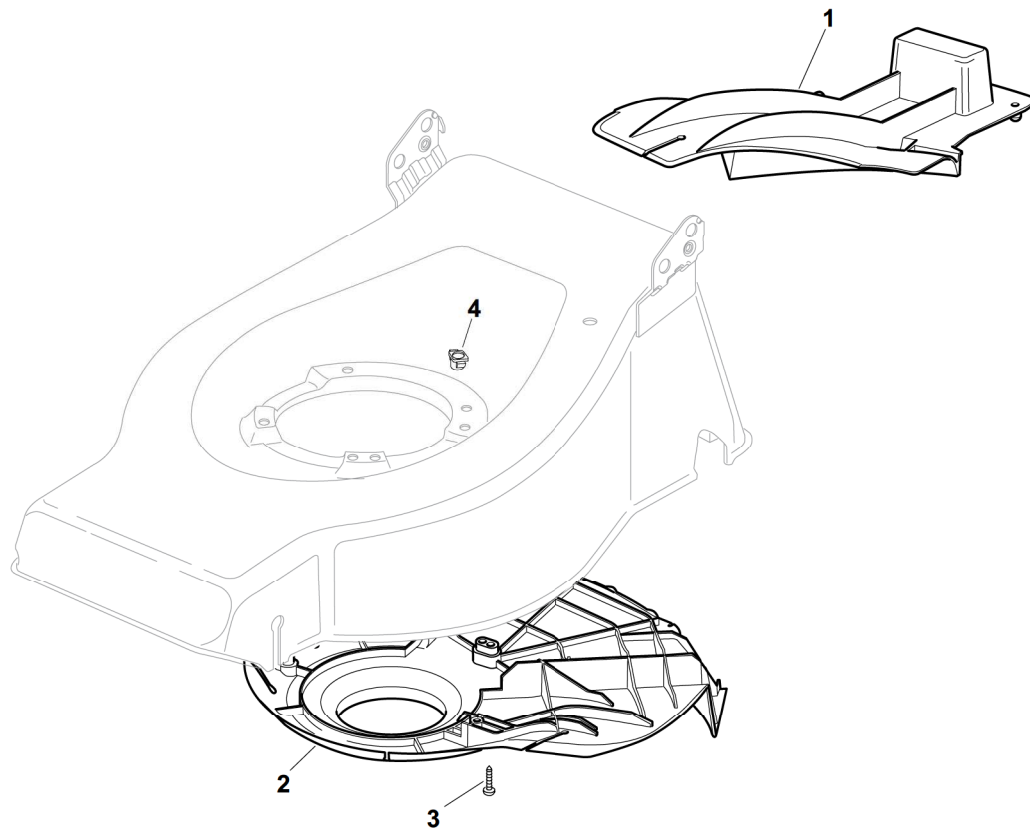
POS.	CODE	Q.TY	DESCRIZIONE	DESCRIPTION	DESCRIPTION	BESCHREIBUNG	REMARKS
18	12155000/0	2	Dado	Nut	Ecrou	Mutter	
19	-	2	Coprizzo	Hub Cap	Couvre-Moyeu	Radkappe	(See Enclosure 1)
20	22122200/0	4	Cuscinetto	Bearing	Coussinet	Lager	
21	81007343/0	2	Ruota Scolpita Ø 210	Wheel, Knobbly Ø 210	Roue Sculptee Ø 210	Rad M. Stollenpr. Ø 210	
22	12521350/0	2	Rosetta	Washer	Rondelle	Scheibe	
23	12155000/0	2	Dado	Nut	Ecrou	Mutter	
24	-	2	Coprizzo	Hub Cap	Couvre-Moyeu	Radkappe	(See Enclosure 2)
25	12530150/0	2	Rosetta Elastica	Elastic Washer	Rondelle Elastique	Elastische Scheibe	
41	12691800/0	0/1	Vite	Screw	Vis	Schraube	
41	12793701/0	3/2	Vite	Screw	Vis	Schraube	
42	12155000/0	0/1	Dado	Nut	Ecrou	Mutter	
42	12293201/0	3/2	Dado	Nut	Ecrou	Mutter	
43	12731350/0	4	Vite	Screw	Vis	Schraube	
44	22545152/0	2	Piastrina	Plate	Plaquette	Platte	

M		ML		2009
484		534		28_003
TR	TR-E	TR 4S	TR-E 4S	1 / 1



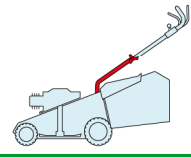
POS.	CODE	Q.TY	DESCRIZIONE	DESCRIPTION	DESCRIPTION	BESCHREIBUNG	REMARKS
1	12728530/0	1	Vite	Screw	Vis	Schraube	
2	22060192/0	1	Carter Cinghia	Protection, Belt	Protection	Schutz, Riemen	484
2	22060193/0	1	Carter Cinghia	Protection, Belt	Protection	Schutz, Riemen	534
3	22291150/0	1	Inserto In Gomma	Rubber Insert	Insert De	Gummi Einsatz	

M		ML		2009
484		534		28_004
TR	TR-E	TR 4S	TR-E 4S	1 / 1

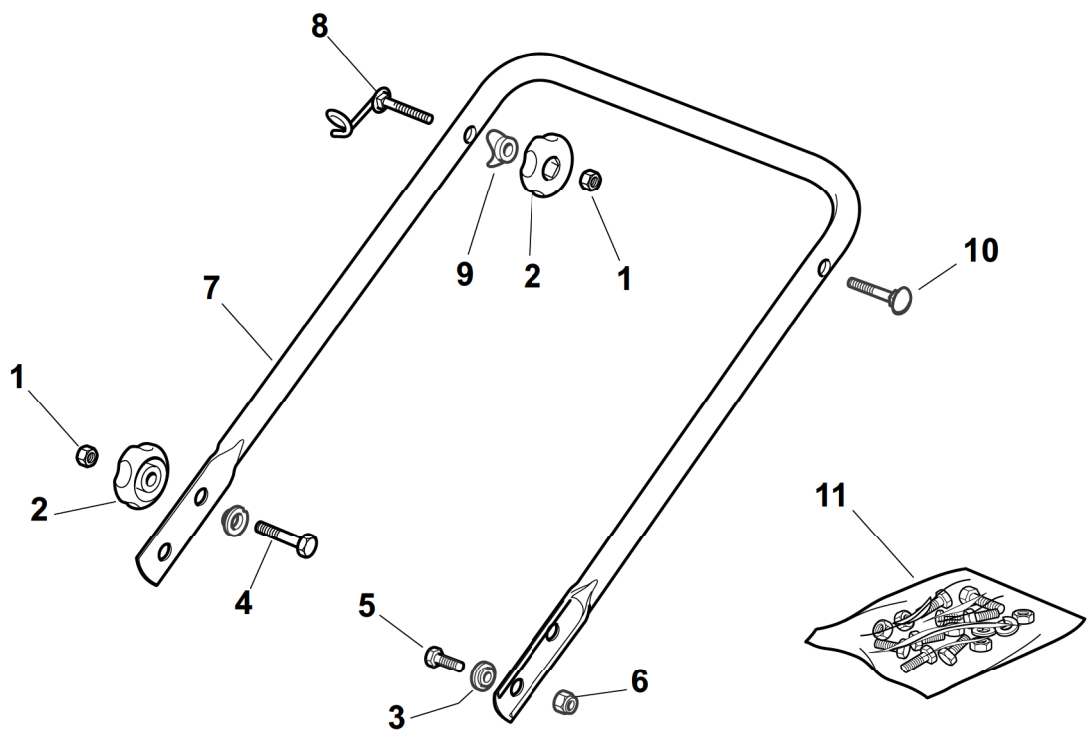


POS.	CODE	Q.TY	DESCRIZIONE	DESCRIPTION	DESCRIPTION	BESCHREIBUNG	REMARKS
1	22140223/0	1	Deflettore	Deflector	Deflecteur	Deflektor	484
1	22140222/0	1	Deflettore	Deflector	Deflecteur	Deflektor	534
2	22060199/0	1	Carter	Protection	Protection	Schutz	484
2	322060197/2	1	Carter	Protection	Protection	Schutz	534
3	12728530/0	3	Vite	Screw	Vis	Schraube	
4	22291150/0	1	Inserto In Gomma	Rubber Insert	Insert De	Gummi Einsatz	

M		ML	
484		534	
TR	TR-E	TR 4S	TR-E 4S

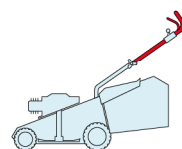


2009
28_005
1 / 1

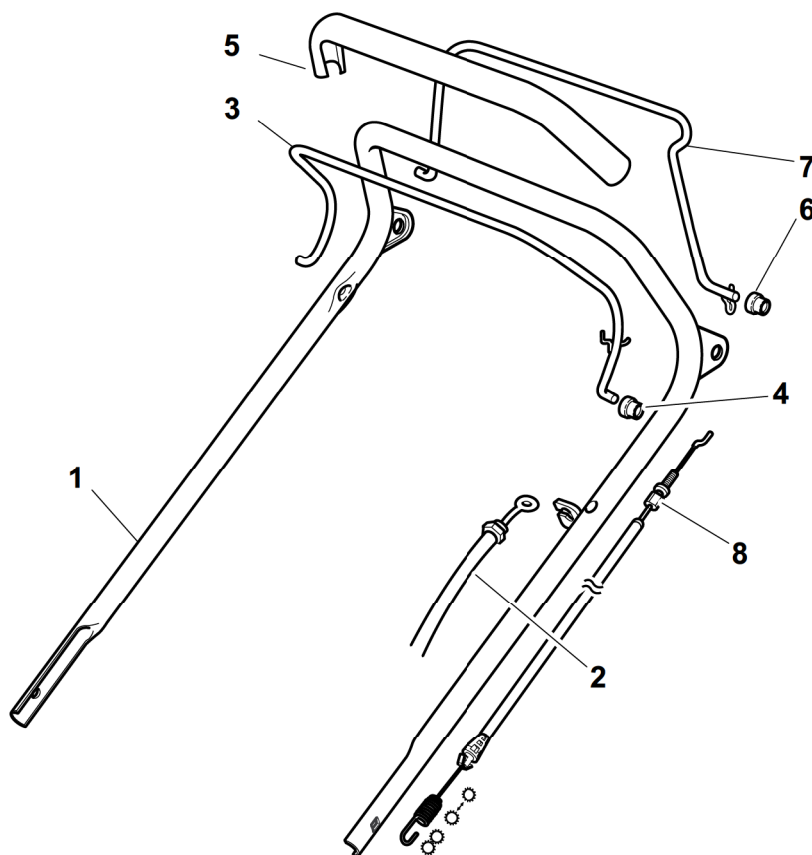


POS.	CODE	Q.TY	DESCRIZIONE	DESCRIPTION	DESCRIPTION	BESCHREIBUNG	REMARKS
1	12293200/0	4	Dado	Nut	Ecrou	Mutter	
2	322399804/1	4	Manopollina	Knob	Poignée	Griff	
3	22041955/0	4	Bussola	Bush	Douille	Buchse	
4	12793700/0	2	Vite	Screw	Vis	Schraube	
5	12792610/0	2	Vite	Screw	Vis	Schraube	
6	12155000/0	2	Dado	Nut	Ecrou	Mutter	
7	81006521/0	1	Manico, Parte Inf	Handle, Lower Part	Mancheron, Partie Inférieure	Holm, Unterteil	
8	81003801/1	1	Molla Guida	Spring	Ressort	Feder	
9	22680006/1	2	Rosetta	Washer	Rondelle	Scheibe	
10	12819201/0	1	Vite	Screw	Vis	Schraube	
11	81008614/3	1	Dotazione Viteria	Outfit, Screws	Dotation Visserie	Satz, Schrauben	

M		ML	
484		534	
TR	TR-E	TR 4S	TR-E 4S



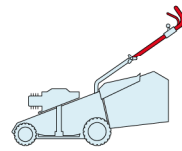
2009
28_006
1 / 2



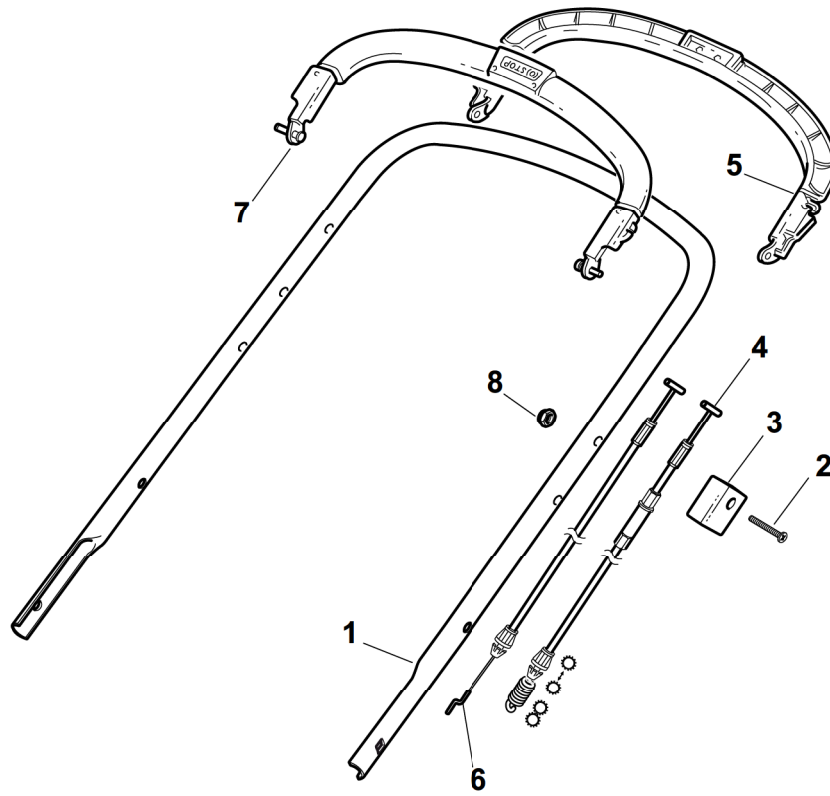
POS.	CODE	Q.TY	DESCRIZIONE	DESCRIPTION	DESCRIPTION	BESCHREIBUNG	REMARKS
1	81007024/0	1	Manico, Parte Sup	Handle, Upper Part	Mancheron, Partie Supérieure	Holm, Oberteil	
2	81000611/0	1	Cavo Freno Motore	Cable, Thread Engine Brake	Cable Frein Moteur	Kabel, Motorbremse	(Ggp 150cc)
2	81000625/0	1	Cavo Freno Motore	Cable, Thread Engine Brake	Cable Frein Moteur	Kabel, Motorbremse	484 (B&S 450-500 Series)
2	81000757/0	1	Cavo Freno Motore	Cable, Thread Engine Brake	Cable Frein Moteur	Kabel, Motorbremse	484 (B&S 675 Series Es)
2	81000757/0	1	Cavo Freno Motore	Cable, Thread Engine Brake	Cable Frein Moteur	Kabel, Motorbremse	484 (B&S 625-675 Series)
2	81000757/0	1	Cavo Freno Motore	Cable, Thread Engine Brake	Cable Frein Moteur	Kabel, Motorbremse	484 (Ggp 140cc)
2	81000757/0	1	Cavo Freno Motore	Cable, Thread Engine Brake	Cable Frein Moteur	Kabel, Motorbremse	484 (Ggp 160cc)
2	81000641/0	1	Cavo Freno Motore	Cable, Thread Engine Brake	Cable Frein Moteur	Kabel, Motorbremse	484 (Honda Gcv 135-160)
2	81000643/0	1	Cavo Freno Motore	Cable, Thread Engine Brake	Cable Frein Moteur	Kabel, Motorbremse	534 (B&S 500 Series)
2	81000756/0	1	Cavo Freno Motore	Cable, Thread Engine Brake	Cable Frein Moteur	Kabel, Motorbremse	534 (B&S 675 Series Es)
2	81000756/0	1	Cavo Freno Motore	Cable, Thread Engine Brake	Cable Frein Moteur	Kabel, Motorbremse	534 (B&S 625-675 Series)
2	181030009/0	1	Cavo Freno Motore	Cable, Thread Engine Brake	Cable Frein Moteur	Kabel, Motorbremse	534 (B&S 700 Series)
2	81000756/0	1	Cavo Freno Motore	Cable, Thread Engine Brake	Cable Frein Moteur	Kabel, Motorbremse	534 (Ggp 140cc)
2	81000756/0	1	Cavo Freno Motore	Cable, Thread Engine Brake	Cable Frein Moteur	Kabel, Motorbremse	534 (Ggp 160cc)
2	81000756/0	1	Cavo Freno Motore	Cable, Thread Engine Brake	Cable Frein Moteur	Kabel, Motorbremse	534 (Ggp 196cc)
2	81000640/0	1	Cavo Freno Motore	Cable, Thread Engine Brake	Cable Frein Moteur	Kabel, Motorbremse	534 (Honda Gcv 135-160-190)
2	81000611/0	1	Cavo Freno Motore	Cable, Thread Engine Brake	Cable Frein Moteur	Kabel, Motorbremse	484 W TR (Ggp 150cc)
2	81000616/1	1	Cavo Freno Motore	Cable, Thread Engine Brake	Cable Frein Moteur	Kabel, Motorbremse	484 W TR (Ggp 140cc)

POS.	CODE	Q.TY	DESCRIZIONE	DESCRIPTION	DESCRIPTION	BESCHREIBUNG	REMARKS
2	81000616/1	1	Cavo Freno Motore	Cable, Thread Engine Brake	Cable Frein Moteur	Kabel, Motorbremse	484 W TR (Ggp 160cc)
2	81000616/1	1	Cavo Freno Motore	Cable, Thread Engine Brake	Cable Frein Moteur	Kabel, Motorbremse	484 W TR (B&S 450-500 Series)
2	81000616/1	1	Cavo Freno Motore	Cable, Thread Engine Brake	Cable Frein Moteur	Kabel, Motorbremse	484 W TR (B&S 625-675 Series)
2	81000616/1	1	Cavo Freno Motore	Cable, Thread Engine Brake	Cable Frein Moteur	Kabel, Motorbremse	484 W TR (Honda Gcv 135-160)
2	81000622/2	1	Cavo Freno Motore	Cable, Thread Engine Brake	Cable Frein Moteur	Kabel, Motorbremse	534 W TR (Ggp 150cc)
2	81000756/0	1	Cavo Freno Motore	Cable, Thread Engine Brake	Cable Frein Moteur	Kabel, Motorbremse	534 W TR (Ggp 140cc)
2	81000756/0	1	Cavo Freno Motore	Cable, Thread Engine Brake	Cable Frein Moteur	Kabel, Motorbremse	534 W TR (Ggp 160cc)
2	81000756/0	1	Cavo Freno Motore	Cable, Thread Engine Brake	Cable Frein Moteur	Kabel, Motorbremse	534 W TR (Ggp 196cc)
2	181000761/0	1	Cavo Freno Motore	Cable, Thread Engine Brake	Cable Frein Moteur	Kabel, Motorbremse	534 W TR (B&S 500 Series)
2	181000761/0	1	Cavo Freno Motore	Cable, Thread Engine Brake	Cable Frein Moteur	Kabel, Motorbremse	534 W TR (B&S 625-675 Series)
2	181030009/0	1	Cavo Freno Motore	Cable, Thread Engine Brake	Cable Frein Moteur	Kabel, Motorbremse	534 W TR (B&S 700 Series)
2	81000616/1	1	Cavo Freno Motore	Cable, Thread Engine Brake	Cable Frein Moteur	Kabel, Motorbremse	534 W TR (Honda Gcv 135-160)
3	81003291/3	1	Leva Freno Motore	Lever, Engine Brake	Levier Frein Moteur	Hebel, Motorbremse	
4	22041966/0	2	Bussola	Bush	Douille	Buchse	
5	22291050/0	1	Impugnatura Manico Nera	Handgrip Black	Poignée Noire	Handgriff Schwarz	
6	22041965/1	2	Bussola	Bush	Douille	Buchse	
7	81003288/1	1	Leva Trazione	Lever, Driving	Levier Traction	Hebel, Antrieb	
8	81000672/0	1	Cavo Comando Trazione	Cable, Rear Drive	Câble, Commande Traction	Kabel, Antrieb	(Bi Ci Di)
8	81000668/1	1	Cavo Comando Trazione	Cable, Rear Drive	Câble, Commande Traction	Kabel, Antrieb	(General Transmission)

M		ML	
484		534	
TR	TR-E	TR 4S	TR-E 4S

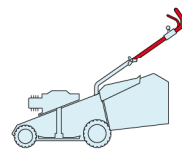


2009
28_007
1 / 1

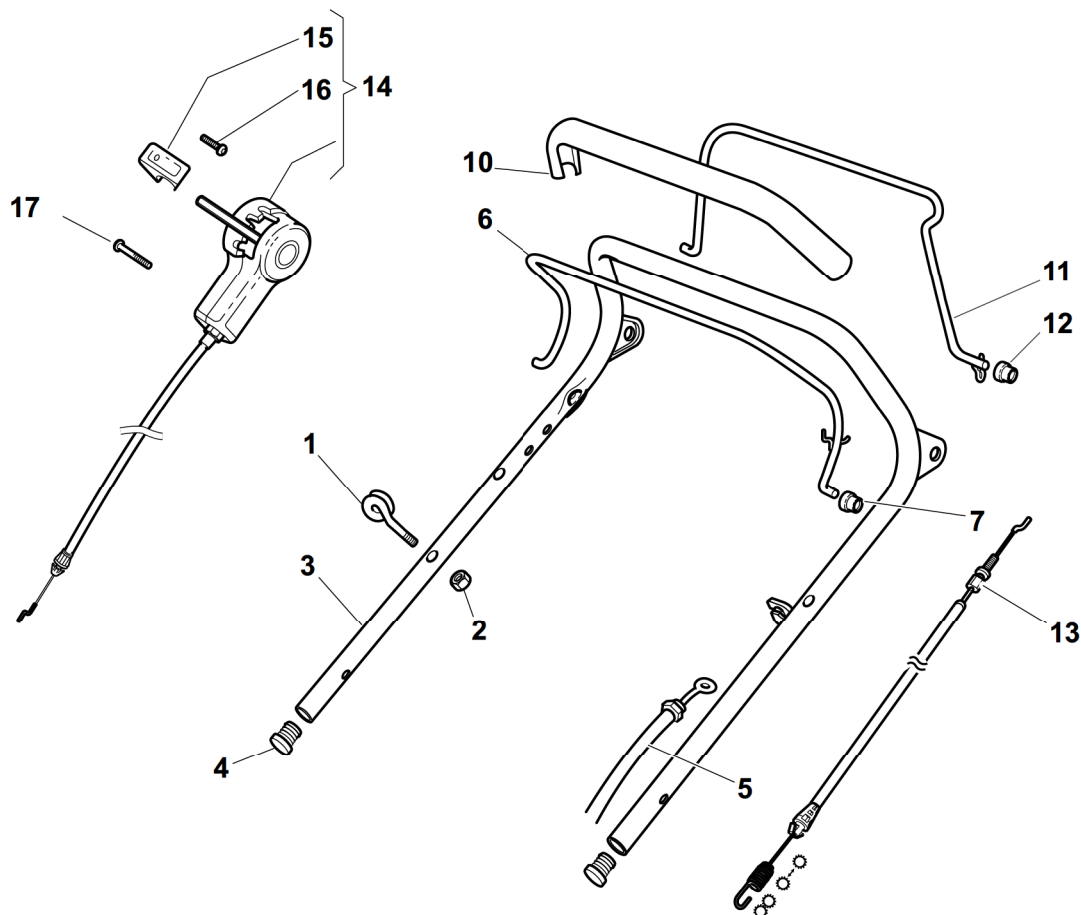


POS.	CODE	Q.TY	DESCRIZIONE	DESCRIPTION	DESCRIPTION	BESCHREIBUNG	REMARKS
1	81006979/2	1	Manico, Parte Sup	Handle, Upper Part	Mancheron, Partie Sup.	Holm, Oberteil	
2	12689500/0	1	Vite	Screw	Vis	Schraube	
3	22551640/0	1	Piastrina	Plate	Plaquette	Plättchen	
4	381000709/2	1	Cavo Comando Trazione	Cable, Rear Drive	Câble, Comm. Traction	Kabel, Antrieb	
5	81003297/1	1	Leva Trazione	Driving Lever	Levier Traction	Antriebhebel	
6	81000657/0	1	Cavo Freno Motore	Cable, Thread Engine Brake	Cable Frein Moteur	Kabel, Motorbremse	(Ggp 140cc)
6	81000720/1	1	Cavo Freno Motore	Cable, Thread Engine Brake	Cable Frein Moteur	Kabel, Motorbremse	(Ggp 150cc)
6	81000657/0	1	Cavo Freno Motore	Cable, Thread Engine Brake	Cable Frein Moteur	Kabel, Motorbremse	(Ggp 160cc)
6	81000657/0	1	Cavo Freno Motore	Cable, Thread Engine Brake	Cable Frein Moteur	Kabel, Motorbremse	(Ggp 196cc)
6	81000708/0	1	Cavo Freno Motore	Cable, Thread Engine Brake	Cable Frein Moteur	Kabel, Motorbremse	484 (B&S 450-500 Series)
6	181000755/0	1	Cavo Freno Motore	Cable, Thread Engine Brake	Cable Frein Moteur	Kabel, Motorbremse	484 (B&S 625-675 Series)
6	81000708/0	1	Cavo Freno Motore	Cable, Thread Engine Brake	Cable Frein Moteur	Kabel, Motorbremse	484 (Honda Gcv 135-160-190)
6	81000708/0	1	Cavo Freno Motore	Cable, Thread Engine Brake	Cable Frein Moteur	Kabel, Motorbremse	534 (B&S 450-500 Series)
6	181000755/0	1	Cavo Freno Motore	Cable, Thread Engine Brake	Cable Frein Moteur	Kabel, Motorbremse	534 (B&S 625-675 Series)
6	81000731/1	1	Cavo Freno Motore	Cable, Thread Engine Brake	Cable Frein Moteur	Kabel, Motorbremse	534 (Honda Gcv 135-160-190)
7	81003298/1	1	Leva Freno Motore	Lever, Engine Brake	Levier Frein Moteur	Hebel, Motorbremse	
8	12154510/0	1	Dado	Nut	Ecrou	Mutter	

M		ML	
484		534	
TR	TR-E	TR 4S	TR-E 4S



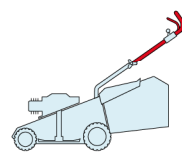
2009
28_008
1 / 2



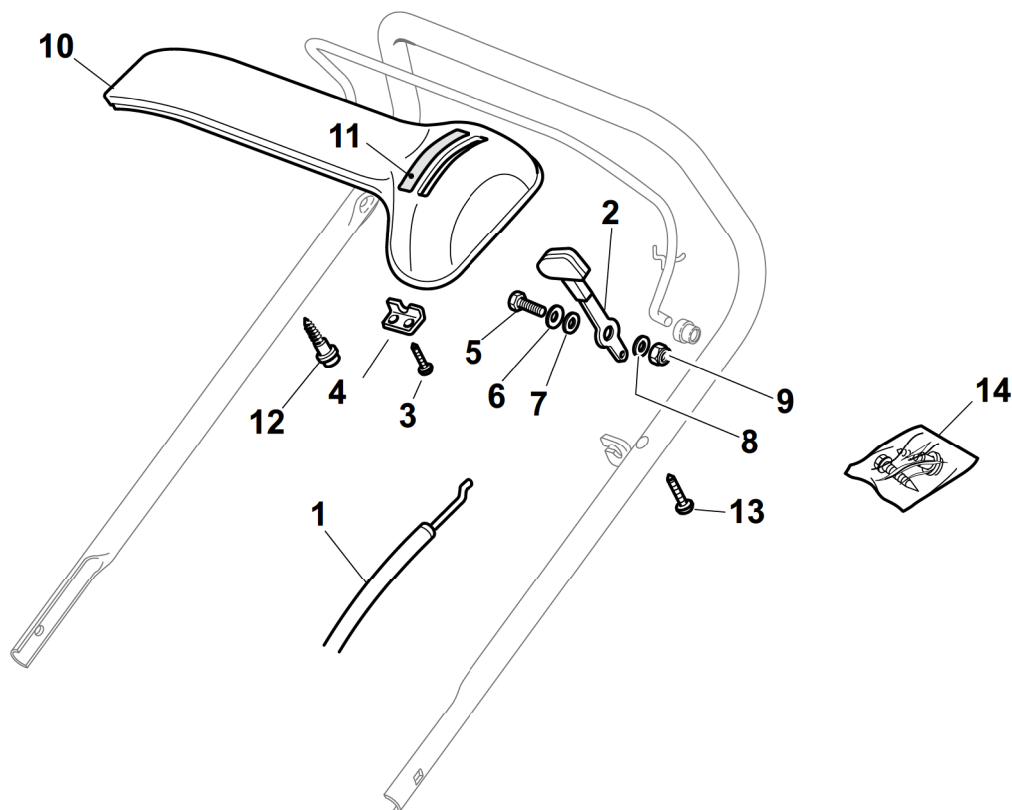
POS.	CODE	Q.TY	DESCRIZIONE	DESCRIPTION	DESCRIPTION	BESCHREIBUNG	REMARKS
1	81006863/0	1	Manico, Parte Sup	Handle, Upper Part	Mancheron, Partie Supérieure	Holm, Oberteil	
2	81000757/0	1	Cavo Freno Motore	Cable, Thread Engine Brake	Cable Frein Moteur	Kabel, Motorbremse	484 (B&S 675 Series Es)
2	81000757/0	1	Cavo Freno Motore	Cable, Thread Engine Brake	Cable Frein Moteur	Kabel, Motorbremse	484 (B&S 625-675 Series)
2	81000757/0	1	Cavo Freno Motore	Cable, Thread Engine Brake	Cable Frein Moteur	Kabel, Motorbremse	484 (Ggp 140cc)
2	81000757/0	1	Cavo Freno Motore	Cable, Thread Engine Brake	Cable Frein Moteur	Kabel, Motorbremse	484 (Ggp 160cc)
2	81000641/0	1	Cavo Freno Motore	Cable, Thread Engine Brake	Cable Frein Moteur	Kabel, Motorbremse	484 (Honda Gcv 135-160)
2	81000756/0	1	Cavo Freno Motore	Cable, Thread Engine Brake	Cable Frein Moteur	Kabel, Motorbremse	534 (B&S 675 Series Es)
2	81000756/0	1	Cavo Freno Motore	Cable, Thread Engine Brake	Cable Frein Moteur	Kabel, Motorbremse	534 (B&S 625-675 Series)
2	181030009/0	1	Cavo Freno Motore	Cable, Thread Engine Brake	Cable Frein Moteur	Kabel, Motorbremse	534 (B&S 700 Series)
2	81000756/0	1	Cavo Freno Motore	Cable, Thread Engine Brake	Cable Frein Moteur	Kabel, Motorbremse	534 (Ggp 160cc)
2	81000756/0	1	Cavo Freno Motore	Cable, Thread Engine Brake	Cable Frein Moteur	Kabel, Motorbremse	534 (Ggp 196cc)
2	81000640/0	1	Cavo Freno Motore	Cable, Thread Engine Brake	Cable Frein Moteur	Kabel, Motorbremse	534 (Honda Gcv 135-160-190)
2	81000611/0	1	Cavo Freno Motore	Cable, Thread Engine Brake	Cable Frein Moteur	Kabel, Motorbremse	484 W TR (Ggp 150cc)
2	81000616/1	1	Cavo Freno Motore	Cable, Thread Engine Brake	Cable Frein Moteur	Kabel, Motorbremse	484 W TR (Ggp 140cc)
2	81000616/1	1	Cavo Freno Motore	Cable, Thread Engine Brake	Cable Frein Moteur	Kabel, Motorbremse	484 W TR (Ggp 160cc)
2	81000616/1	1	Cavo Freno Motore	Cable, Thread Engine Brake	Cable Frein Moteur	Kabel, Motorbremse	484 W TR (B&S 450-500 Series)
2	81000616/1	1	Cavo Freno Motore	Cable, Thread Engine Brake	Cable Frein Moteur	Kabel, Motorbremse	484 W TR (B&S 625-675 Series)

POS.	CODE	Q.TY	DESCRIZIONE	DESCRIPTION	DESCRIPTION	BESCHREIBUNG	REMARKS
2	81000616/1	1	Cavo Freno Motore	Cable, Thread Engine Brake	Cable Frein Moteur	Kabel, Motorbremse	484 W TR (Honda Gcv 135-160)
2	81000622/2	1	Cavo Freno Motore	Cable, Thread Engine Brake	Cable Frein Moteur	Kabel, Motorbremse	534 W TR (Ggp 150cc)
2	81000756/0	1	Cavo Freno Motore	Cable, Thread Engine Brake	Cable Frein Moteur	Kabel, Motorbremse	534 W TR (Ggp 140cc)
2	81000756/0	1	Cavo Freno Motore	Cable, Thread Engine Brake	Cable Frein Moteur	Kabel, Motorbremse	534 W TR (Ggp 160cc)
2	81000756/0	1	Cavo Freno Motore	Cable, Thread Engine Brake	Cable Frein Moteur	Kabel, Motorbremse	534 W TR (Ggp 196cc)
2	181000761/0	1	Cavo Freno Motore	Cable, Thread Engine Brake	Cable Frein Moteur	Kabel, Motorbremse	534 W TR (B&S 500 Series)
2	181000761/0	1	Cavo Freno Motore	Cable, Thread Engine Brake	Cable Frein Moteur	Kabel, Motorbremse	534 W TR (B&S 625-675 Series)
2	181030009/0	1	Cavo Freno Motore	Cable, Thread Engine Brake	Cable Frein Moteur	Kabel, Motorbremse	534 W TR (B&S 700 Series)
2	81000616/1	1	Cavo Freno Motore	Cable, Thread Engine Brake	Cable Frein Moteur	Kabel, Motorbremse	534 W TR (Honda Gcv 135-160)
3	81003291/3	1	Leva Freno Motore	Lever, Engine Brake	Levier Frein Moteur	Hebel, Motorbremse	
4	22041966/0	2	Bussola	Bush	Douille	Buchse	
5	22291050/0	1	Impugnatura Manico Nera	Handgrip Black	Poignée Noire	Handgriff Schwarz	
6	22041965/1	2	Bussola	Bush	Douille	Buchse	
7	81003288/1	1	Leva Trazione	Lever, Driving	Levier Traction	Hebel, Antrieb	
8	81000668/1	1	Cavo Comando Trazione	Cable, Rear Drive	Câble, Commande Traction	Kabel, Antrieb	(General Transmission)
11	81007109/0	1	Cavo Comando Marce	Cable, Speed Drive Control	Cable, Comm. Change-ment Vitesse	Kabel, Gängeschaltun	484 4S
11	81007110/0	1	Cavo Comando Marce	Cable, Speed Drive Control	Cable, Comm. Change-ment Vitesse	Kabel, Gängeschaltun	534 4S
12	22399809/0	1	Manopolina	Knob	Poignée	Griff	
13	12728300/0	1	Vite	Screw	Vis	Schraube	
14	12728702/0	2	Vite	Screw	Vis	Schraube	

M		ML	
484		534	
TR	TR-E	TR 4S	TR-E 4S

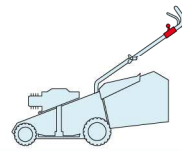


2009
28_009
1 / 1

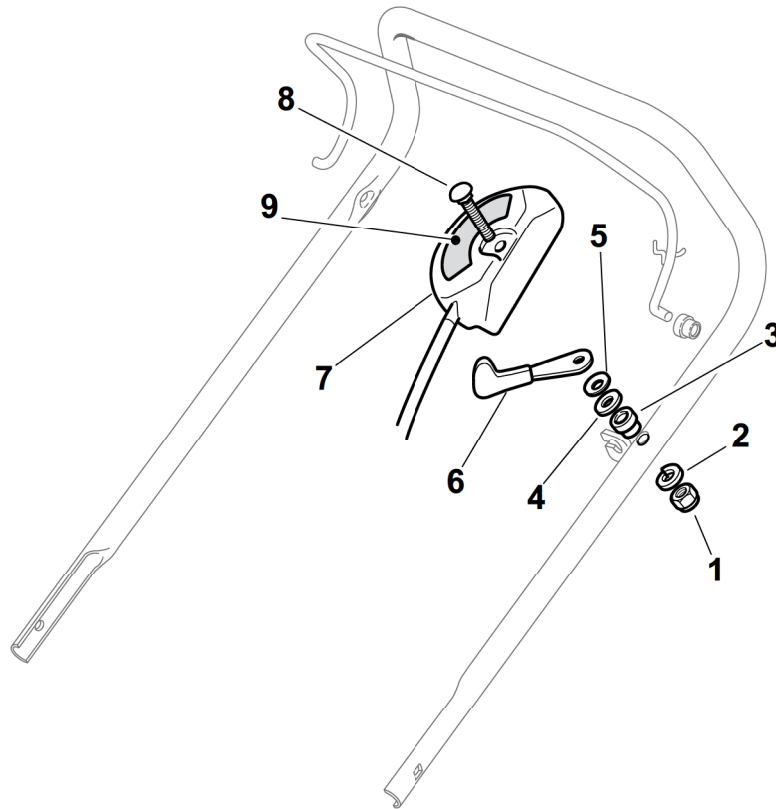


POS.	CODE	Q.TY	DESCRIZIONE	DESCRIPTION	DESCRIPTION	BESCHREIBUNG	REMARKS
1	81007160/0	1	Cavo Acceleratore	Throttle Cable	Cable, Accelérateur	Gashebel Kabel	
2	81007280/2	1	Leva, Acceleratore	Lever, Throttle	Levier,	Hebel, Beschleuniger	(B&S 625-675-700 Series - Honda - Ggp 140-160-196 cc)
2	81007221/0	1	Leva, Acceleratore	Lever, Throttle	Levier,	Hebel, Beschleuniger	(B&S 450-500 Series - Ggp 150 cc)
3	12735105/0	2	Vite	Screw	Vis	Schraube	
4	22981467/0	1	Piastrina	Plate	Plaquette	Platte	
5	12791500/0	1	Vite	Screw	Vis	Schraube	
6	12530060/0	1	Rosetta Elastica	Elastic Washer	Rondelle Elastique	Elastische Scheibe	
7	12523040/0	1	Rosetta	Washer	Rondelle	Scheibe	
8	12523040/0	1	Rosetta	Washer	Rondelle	Scheibe	
9	12154510/0	1	Dado	Nut	Ecrou	Mutter	
10	22120152/0	1	Cruscotto Giallo	Dash Board Yellow	Console Jaune	Konsole Gelbe	
10	22120154/0	1	Cruscotto Rosso	Dash Board Red	Console Rouge	Konsole Rote	
10	22120158/0	1	Cruscotto Nero	Dash Board Black	Console Noire	Konsole Schwarze	
11	114356744/1	1	Etichetta	Label	Etiquette	Etikette	(B&S)
11	114356906/1	1	Etichetta	Label	Etiquette	Etikette	(B&S 700 series DOV)
11	114356743/1	1	Etichetta	Label	Etiquette	Etikette	(GGP)
11	114356743/1	1	Etichetta	Label	Etiquette	Etikette	(Honda)
11	114357646/1	1	Etichetta	Label	Etiquette	Etikette	(Honda GCV 160-190 Autochoke)
12	22943006/0	1	Vite	Screw	Vis	Schraube	
13	12728460/0	1	Vite	Screw	Vis	Schraube	
14	81008609/0	1	Dotazione Viteria Cruscotto	Outfit, Dash-Board Screws	Dotation Visserie Console	Satz, Konsole Schrauben	

M		ML	
484		534	
TR	TR-E	TR 4S	TR-E 4S

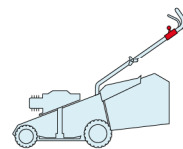


2009
28_010
1 / 1

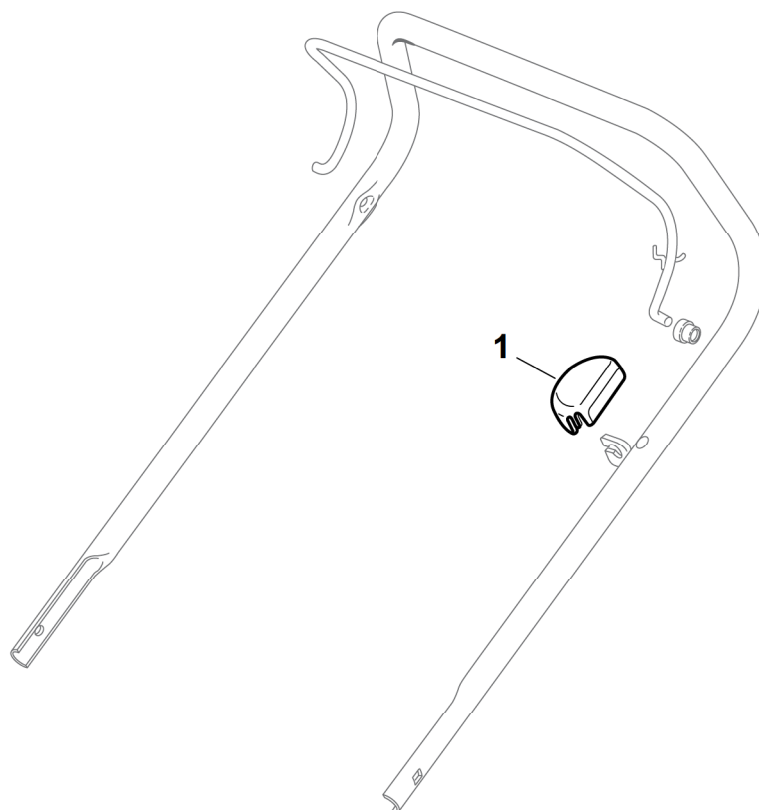


POS.	CODE	Q.TY	DESCRIZIONE	DESCRIPTION	DESCRIPTION	BESCHREIBUNG	REMARKS
1	12291000/0	1	Dado	Nut	Ecrou	Mutter	
2	12581500/0	1	Grower	Grower	Grower	Federring	
3	22171005/0	1	Distanziale	Spacer	Entretoise	Distanzring	
4	12521360/0	1	Rosetta	Washer	Rondelle	Scheibe	
5	12508100/0	1	Rosetta Elastica	Spring Washer	Rondelle Elastique	Elastische Scheibe	
6	81007279/1	1	Leva, Acceleratore	Lever, Throttle	Levier, Accelérateur	Hebel, Beschleuniger	(B&S 625-675-700 Series - Honda - Ggp 140-160-196 cc)
6	81007220/0	1	Leva, Acceleratore	Lever, Throttle	Levier, Accelérateur	Hebel, Beschleuniger	(B&S 450-500 Series - Ggp 150 cc)
7	81007080/0	1	Cavo Acceleratore	Throttle Cable	Cable, Accelérateur	Gashebel Kabel	
8	12815000/0	1	Vite	Screw	Vis	Schraube	
9	14356703/0	1	Etichetta	Label	Etiquette	Etikette	(B&S)
9	114356905/0	1	Etichetta	Label	Etiquette	Etikette	(B&S 700 series DOV)
9	14356702/0	1	Etichetta	Label	Etiquette	Etikette	(GGP)
9	114364264/0	1	Etichetta	Label	Etiquette	Etikette	AVS (GGP 160-196)
9	14356702/0	1	Etichetta	Label	Etiquette	Etikette	(Honda)
9	114356905/0	1	Etichetta	Label	Etiquette	Etikette	(Honda GCV 160-190 Autochoke)

M		ML	
484		534	
TR	TR-E	TR 4S	TR-E 4S

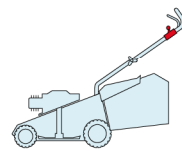


2009
28_011
1 / 1

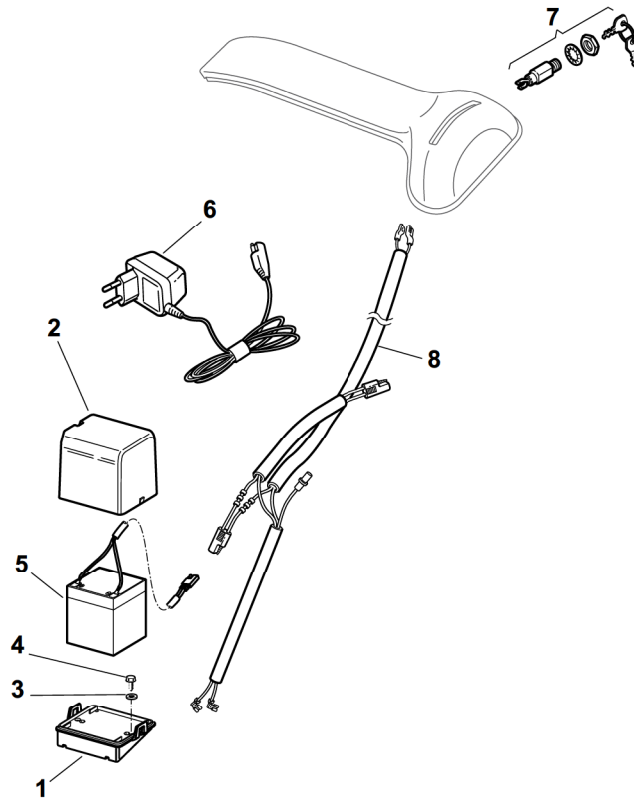


POS.	CODE	Q.TY	DESCRIZIONE	DESCRIPTION	DESCRIPTION	BESCHREIBUNG	REMARKS
1	22601000/0	1	Protezione	Protection	Protection	Schutz	

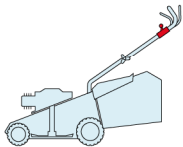
M		ML	
484		534	
TR	TR-E	TR 4S	TR-E 4S

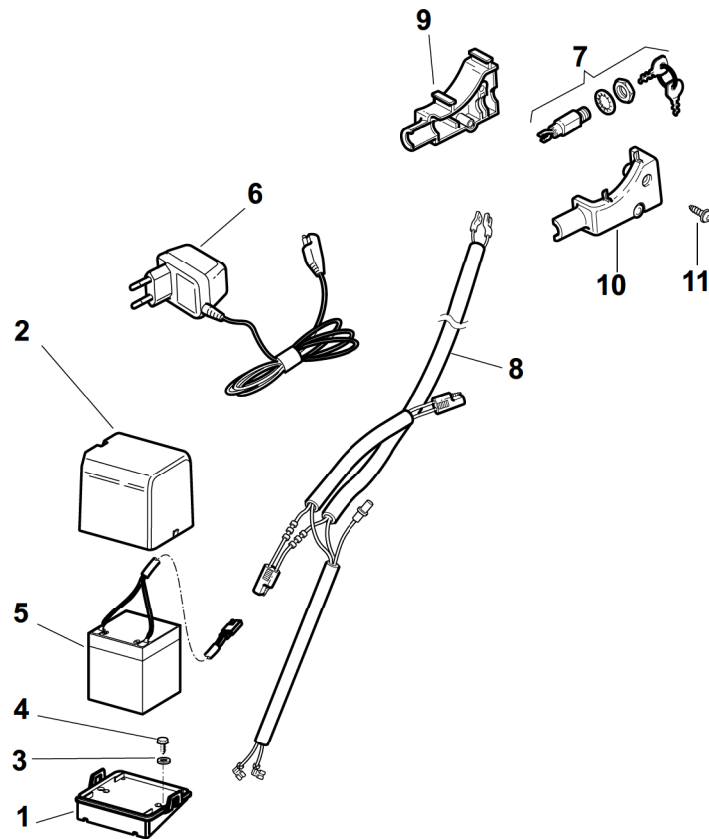


2009
28_012
1 / 1



POS.	CODE	Q.TY	DESCRIZIONE	DESCRIPTION	DESCRIPTION	BESCHREIBUNG	REMARKS
1	22785123/0	1	Supporto Batteria	Support, Battery	Support Batterie	Halter, Batterie	
2	22109530/0	1	Coperchio	Cover	Couvercle	Deckel	
3	12521310/0	2	Rosetta	Washer	Rondelle	Scheibe	
4	12731590/0	2	Vite	Screw	Vis	Schraube	
5	18120052/0	1	Batteria	Battery	Batterie	Batterie	
6	18204120/0	1	Carica Batteria	Battery Charger	Chargeur De	Ladgerät	
6	18204121/0	1	Carica Batteria	Battery Charger	Chargeur De	Ladgerät	(Uk)
7	18450050/0	1	Interruttore	Switch	Interrupteur	Schalter	
8	118204192/3	1	Cavo Avviamento	Cable, Start	Cable Démarrage	Kabel, Start	(B&S - GGP)
8	18204198/0	1	Cavo Avviamento	Cable, Start	Cable Démarrage	Kabel, Start	(Honda)

M		ML			2009
484		534			28_013
TR	TR-E	TR 4S	TR-E 4S		1 / 1

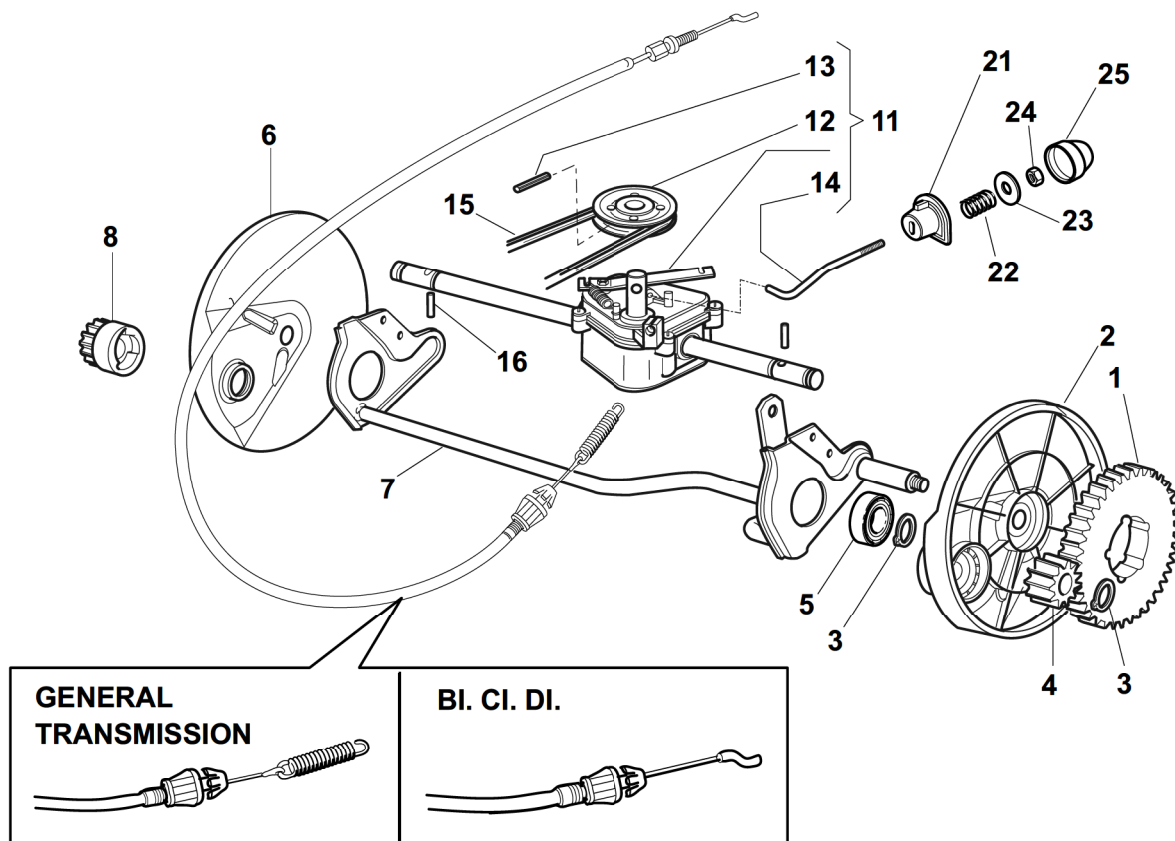


POS.	CODE	Q.TY	DESCRIZIONE	DESCRIPTION	DESCRIPTION	BESCHREIBUNG	REMARKS
1	22785123/0	1	Supporto Batteria	Support, Battery	Support Batterie	Halter, Batterie	
2	22109530/0	1	Coperchio	Cover	Couvercle	Deckel	
3	12521310/0	2	Rosetta	Washer	Rondelle	Scheibe	
4	12731590/0	2	Vite	Screw	Vis	Schraube	
5	18120052/0	1	Batteria	Battery	Batterie	Batterie	
6	18204120/0	1	Carica Batteria	Battery Charger	Chargeur De	Ladgerät	
6	18204121/0	1	Carica Batteria	Battery Charger	Chargeur De	Ladgerät	(UK)
7	18450050/0	1	Interruttore	Switch	Interrupteur	Schalter	
8	118204192/3	1	Cavo Avviamento	Cable, Start	Cable Démarrage	Kabel, Start	(B&S - GGP)
8	18204198/0	1	Cavo Avviamento	Cable, Start	Cable Démarrage	Kabel, Start	(Honda)
9	22722804/0	1	Protezione Dx	R Protection	Protection D	Rechte Schutz	
10	22722805/0	1	Protezione Sx	L Protection	Protection G	Linke Schutz	
11	12728300/0	1	Vite	Screw	Vis	Schraube	

M		ML	
484		534	
TR	TR-E	TR 4S	TR-E 4S

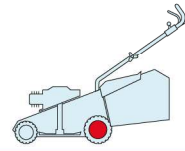


2009
28_014
1 / 1

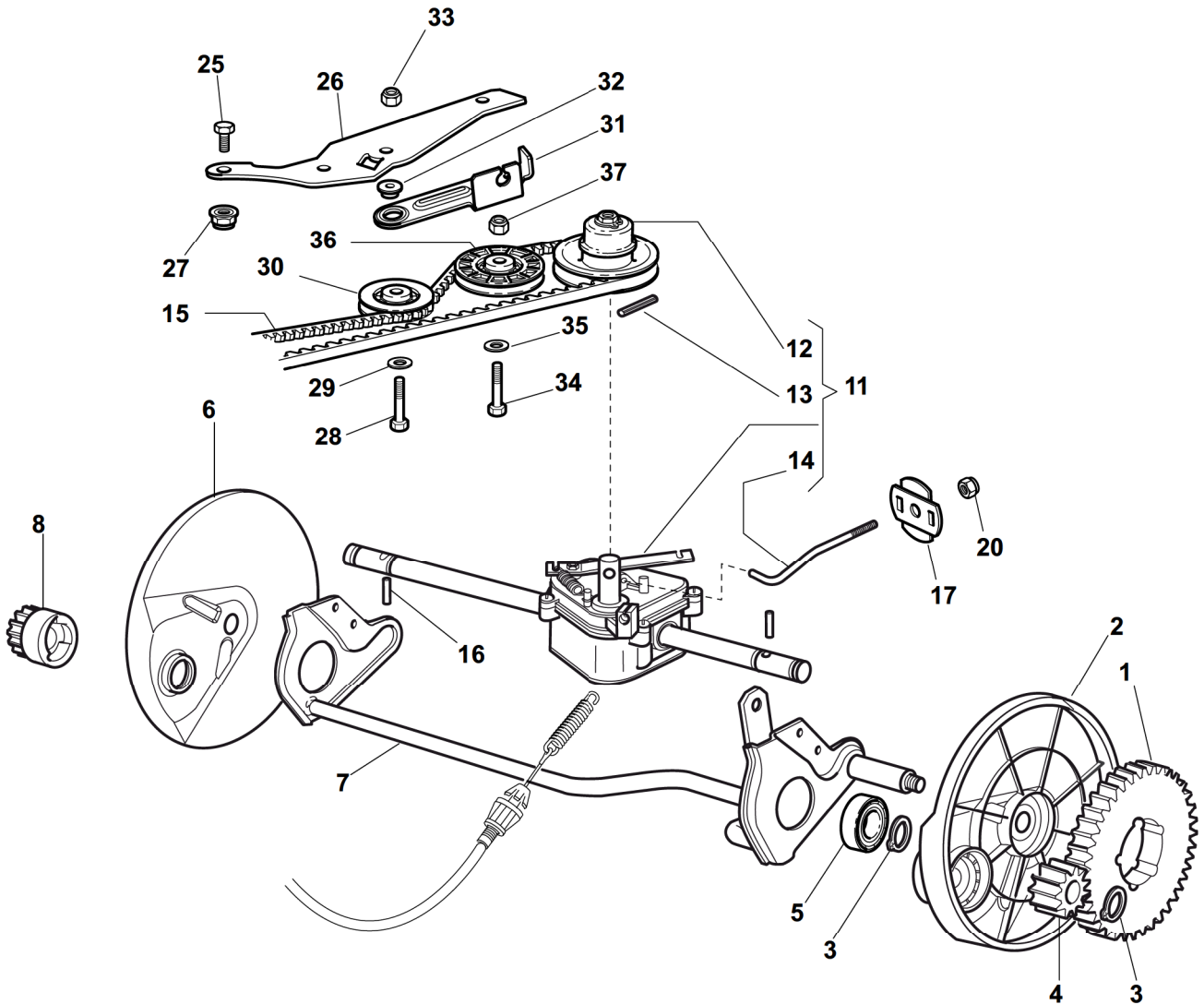


POS.	CODE	Q.TY	DESCRIZIONE	DESCRIPTION	DESCRIPTION	BESCHREIBUNG	REMARKS
1	22120105/1	2	Corona	Ring Gear	Couronne	Kranz	
2	22600093/0	1	Prot. Ruote Sx	Protection, L Wheel	Protection Roue G	Schütz, Linkes	
3	12608600/0	4	Seeger	Seeger	Seeger	Seeger	
4	22570120/1	1	Pignone Sx	Pinion L	Pignon G	Ritzel Linkes	
5	19216035/0	2	Cuscinetto	Bearing	Coussinet	Lager	
6	22600092/0	1	Prot. Ruote Dx	Protection, R Wheel	Protection Roue D	Schütz, Rechtes	
7	81000147/0	1	Asse Ruote Posteriori	Axle, Rear Wheels	Axe Roues Arriere	Achse, Hinterrad	
8	22570110/1	1	Pignone Dx	Pinion R	Pignon D	Ritzel Rechtes	
11	81003081/1	1	Gruppo Trazione (Grigio)	Gear Box (Grey)	Groupe Traction	Antrieb (Grau)	(Bi Ci Di)
11	81003076/0	1	Gruppo Trazione	Gear Box	Groupe Traction	Antrieb	(General Transmission)
12	22601904/0	1	Puleggia	Pulley	Poulie	Riemenscheibe	
13	12645705/0	1	Spina	Pin	Goupille	Stift	
14	22033280/0	1	Asta Regolazione	Adjustment Rod	Tige Reglage	Verstellungstange	(Bi Ci Di)
14	22033283/0	1	Asta Regolazione	Adjustment Rod	Tige Reglage	Verstellungstange	(General Transmission)
15	35063800/0	1	Cinghia Z 27	Belt Z 27	Courroie Z 27	Riemen Z 27	484
15	35063902/0	1	Cinghia Z 29.5	Belt Z 29.5	Courroie Z 29.5	Riemen Z 29.5	534
16	22753000/0	2	Spina	Pin	Goupille	Stift	
21	22041957/1	1	Bussola	Bush	Douille	Buchse	
22	22450063/0	1	Molla	Spring	Ressort	Feder	
23	22680009/0	1	Rosetta	Washer	Rondelle	Scheibe	
24	12154510/0	1	Dado	Nut	Ecrou	Mutter	
25	22110230/0	1	Tappo	Cap	Bouchon	Gummistopfen	

M		ML	
484		534	
TR	TR-E	TR 4S	TR-E 4S



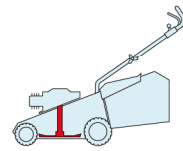
2009
28_016
1 / 2



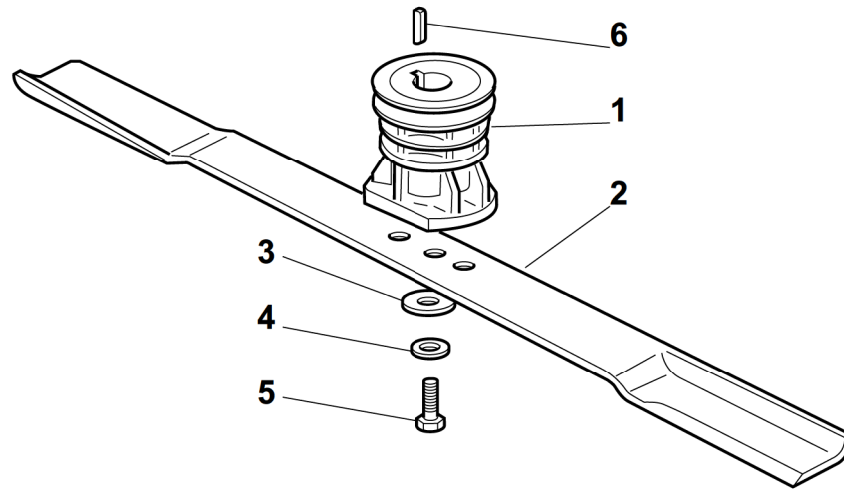
POS.	CODE	Q.TY	DESCRIZIONE	DESCRIPTION	DESCRIPTION	BESCHREIBUNG	REMARKS
1	22120105/1	2	Corona	Ring Gear	Couronne	Kranz	
2	22600093/0	1	Prot. Ruote Sx	Protection, L Wheel	Protection Roue G	Schütz, Linkes	
3	12608600/0	4	Seeger	Seeger	Seeger	Seeger	
4	22570120/1	1	Pignone Sx	Pinion L	Pignon G	Ritzel Linkes	
5	19216035/0	2	Cuscinetto	Bearing	Coussinet	Lager	
6	22600092/0	1	Prot. Ruote Dx	Protection, R Wheel	Protection Roue D	Schütz, Rechtes	
7	81000147/0	1	Asse Ruote Posteriori	Axle, Rear Wheels	Axe Roues Arriere	Achse, Hinterrad	
8	22570110/1	1	Pignone Dx	Pinion R	Pignon D	Ritzel Rechtes	
11	181003096/2	1	Gruppo Trazione	Gear Box	Groupe Traction	Antrieb	(General Transmission)
12	122601925/0	1	Puleggia	Pulley	Poulie	Riemenscheibe	
13	12645700/0	1	Spina	Pin	Goupille	Stift	
14	22033285/0	1	Asta Regolazione	Adjustment Rod	Tige Reglage	Verstellungstange	(General Transmission)
15	35064005/0	1	Cinghia Spzx 750	Belt Spzx 750	Courroie Spzx 750	Riemen Spzx 750	484
15	35064010/0	1	Cinghia Spzx 812	Belt Spzx 812	Courroie Spzx 812	Riemen Spzx 812	534
16	22753000/0	2	Spina	Pin	Goupille	Stift	
17	22675113/0	2	Rosetta	Washer	Rondelle	Scheibe	

POS.	CODE	Q.TY	DESCRIZIONE	DESCRIPTION	DESCRIPTION	BESCHREIBUNG	REMARKS
20	12154510/0	1	Dado	Nut	Ecrou	Mutter	
25	12791011/0	1	Vite	Screw	Vis	Schraube	
26	22806625/0	1	Supporto	Support	Support	Halter	
27	12292102/0	1	Dado	Nut	Ecrou	Mutter	
28	12689500/0	1	Vite	Screw	Vis	Schraube	
29	12523050/0	1	Rosetta	Washer	Rondelle	Scheibe	
30	22601915/0	1	Puleggia	Pulley	Poulie	Riemenscheibe	
31	22806623/0	1	Supporto	Support	Support	Halter	
32	22671656/0	1	Rosetta	Washer	Rondelle	Scheibe	
33	12154510/0	1	Dado	Nut	Ecrou	Mutter	
34	12674700/0	1	Vite	Screw	Vis	Schraube	
35	12523050/0	1	Rosetta	Washer	Rondelle	Scheibe	
36	22601914/0	1	Puleggia	Pulley	Poulie	Riemenscheibe	
37	12154510/0	1	Dado	Nut	Ecrou	Mutter	

M		ML	
484		534	
TR	TR-E	TR 4S	TR-E 4S

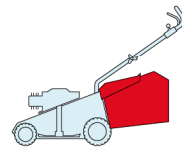


2009
28_018
1 / 1

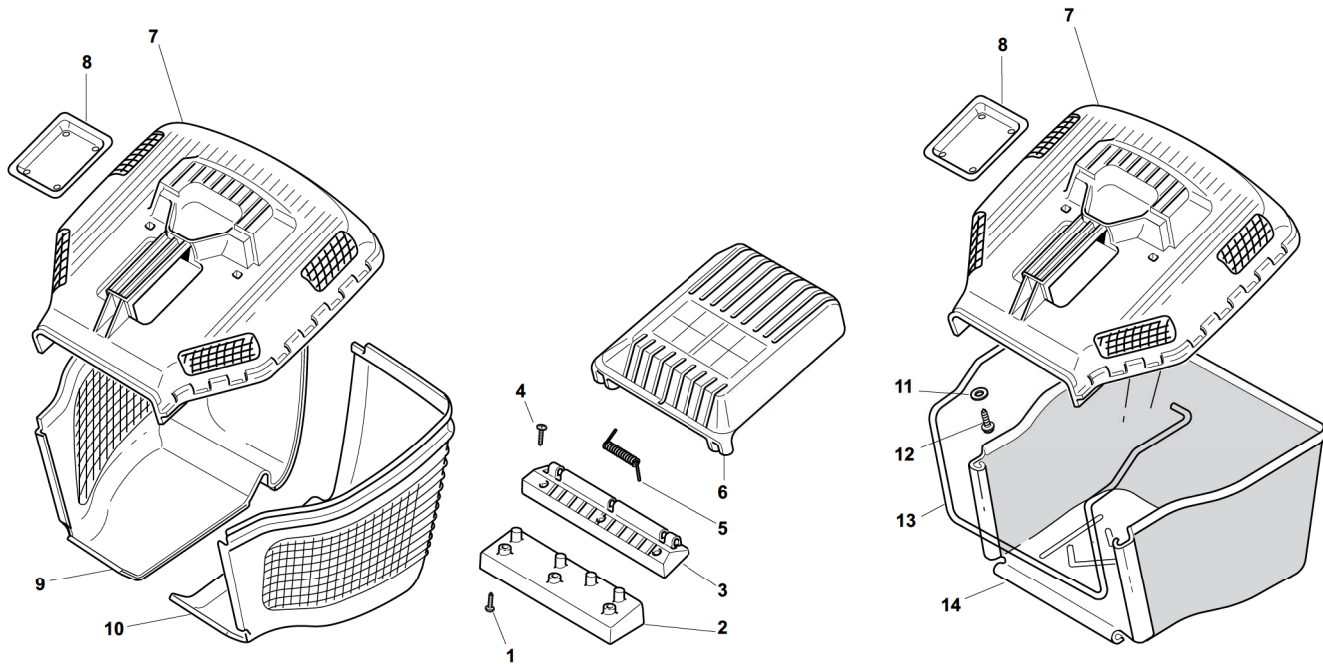


POS.	CODE	Q.TY	DESCRIZIONE	DESCRIPTION	DESCRIPTION	BESCHREIBUNG	REMARKS
1	22465607/2	1	Mozzo Con Puleggia, Albero Motore Ø 22.2	Hub With Pulley, Crankshaft Ø 22.2	Moyeu Avec Poulie, Arbre Moteur Ø 22.2	Nabe Mit Scheibe, Motorwelle Ø 22.2	
1	122465608/1	1	Mozzo Con Puleggia, Albero Motore Ø 25	Hub With Pulley, Crankshaft Ø 25	Moyeu Avec Poulie, Arbre Moteur Ø 25	Nabe Mit Scheibe, Motorwelle Ø 25	
2	81004346/3	1	Coltello Standard	Blade Standard	Lame Standard	Messer Standard	484
2	81004397/0	1	Coltello Alettato	Blade Winged	Lame Ailettée	Messer Flügel	484
2	81004381/1	1	Coltello Standard	Blade Standard	Lame Standard	Messer Standard	534
2	81004398/0	1	Coltello Alettato	Blade Winged	Lame Ailettée	Messer Flügel	534
3	22160400/0	1	Disco Elastico	Elastic Washer	Rondelle Elastique	Elastische Scheibe	
4	12523080/0	1	Rosetta	Washer	Rondelle	Scheibe	
5	12735698/0	1	Vite	Screw	Vis	Schraube	
6	12139100/0	1	Linguetta, Albero Motore Ø 22.2	Feather, Crankshaft Ø 22.2	Clavette, Arbre Moteur Ø 22.2	Keil, Motorwelle Ø 22.2	
6	12139150/0	1	Linguetta, Albero Motore Ø 25	Feather, Crankshaft Ø 25	Clavette, Arbre Moteur Ø 25	Keil, Motorwelle Ø 25	

M		ML	
484		534	
TR	TR-E	TR 4S	TR-E 4S



2009
28_019
1 / 1



POS.	CODE	Q.TY	DESCRIZIONE	DESCRIPTION	DESCRIPTION	BESCHREIBUNG	REMARKS
1	12731600/1	3	Vite	Screw	Vis	Schraube	
2	22785127/0	1	Aggancio Sacco Nero	Support	Support	Halter	
3	22785119/0	1	Fulcro Parasassi Nero	Fulcrum Pin	Point D'Appui	Gelenkpunkt	
4	12728680/0	3	Vite	Screw	Vis	Schraube	
5	22450430/0	1	Molla	Spring	Ressort	Feder	
6	22600068/1	1	Parasassi Nero	Stone-Guard, Black	Pare-Pierres	Prallblech	
7	22486095/0	1	Sacco, Parte Sup	Grass-Box, Upper Part	Sac, Partie Superieure	Korb, Oberteil	
8	22486098/0	1	Piastrina	Plate	Plaquette	Platte	
9	22486099/0	1	Sacco Parte Inf. Destra	Grass-Box, Lower Part	Sac, Partie Inferieure	Korb, Unterteil	
10	22486100/0	1	Sacco Parte Inf. Sinistra	Grass-Box, Lower Part	Sac, Partie Inferieure	Korb, Unterteil	
11	12521460/0	2	Rosetta	Washer	Rondelle	Scheibe	
12	12728300/0	2	Vite	Screw	Vis	Schraube	
13	22608528/0	1	Rinforzo Inf	Stiffening Lower	Réinforcement Inf	Verstärkung	
14	81002235/0	1	Sacco, Tela	Box, Fabric	Sac, Toile	Sack, Tuck	