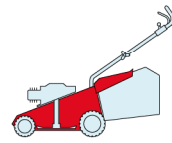


CAL 534

TR SIL

TR 4S SIL

W TR SIL

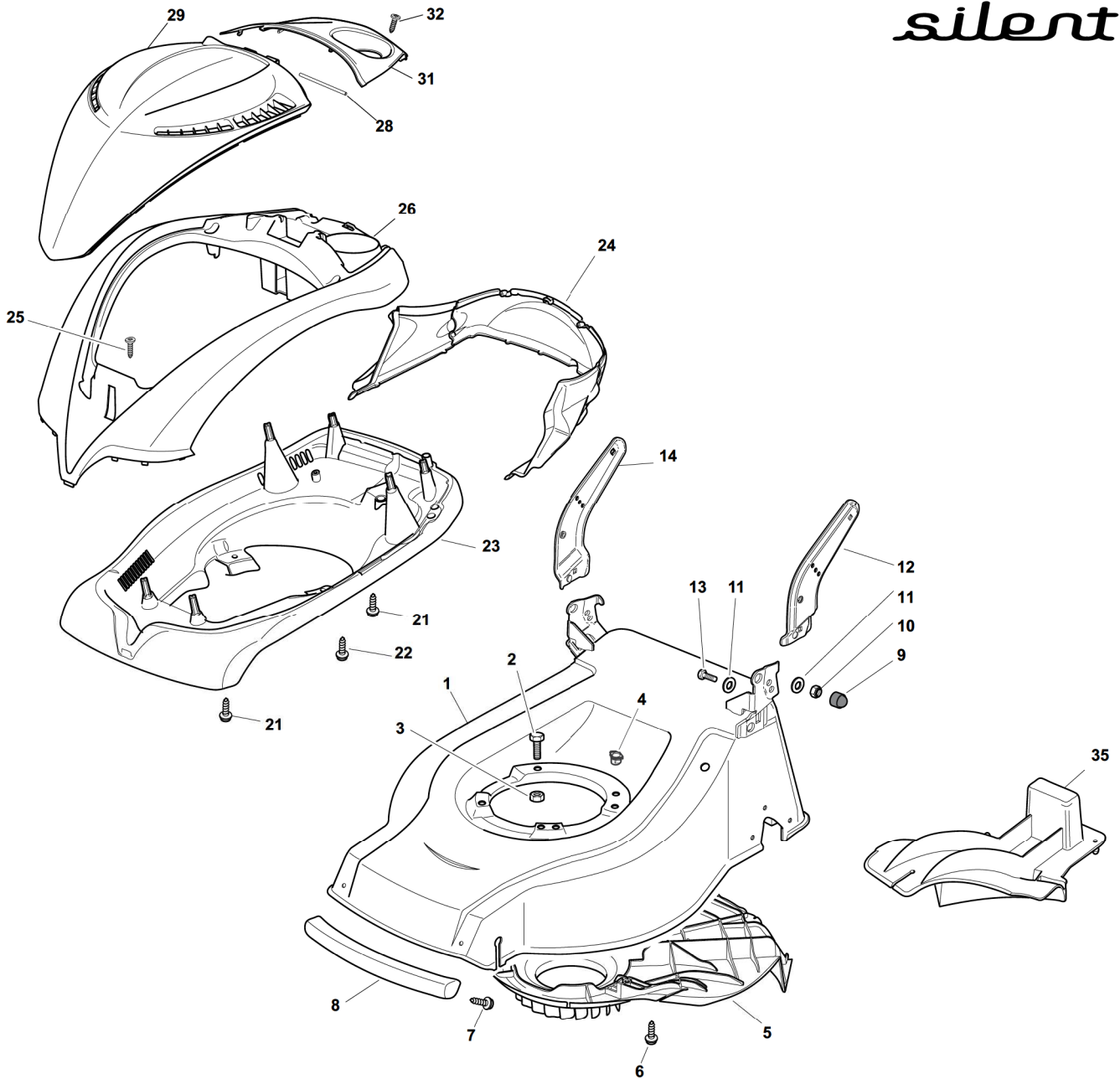


2009

81_001

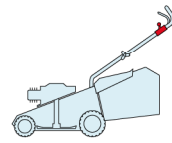
1 / 2

silent



POS.	CODE	Q.TY	DESCRIZIONE	DESCRIPTION	DESCRIPTION	BESCHREIBUNG	REMARKS
1	381003712/0	1	Chassis Grigio	Deck Grey	Châssis Gris	Gehäuse Grau	
2	12691100/0	3	Vite	Screw	Vis	Schraube	
3	12154510/0	3	Dado	Nut	Ecrou	Mutter	
4	22291150/0	1	Inserto In Gomma	Rubber Insert	Insert De	Gummi Einsatz	
5	322060224/1	1	Carter	Protection	Protection	Schutz	
6	12728460/0	3	Vite	Screw	Vis	Schraube	
7	12735404/0	2	Vite	Screw	Vis	Schraube	
8	322485000/0	1	Protezione Grigio	Grey Protection	Protection Gris	Schutz Grau	
9	18203854/0	2	Cappuccio	Protection	Capuchon	Stecker	
10	12155000/0	2	Dado	Nut	Ecrou	Mutter	
11	22671653/0	4	Rosetta	Washer	Rondelle	Scheibe	

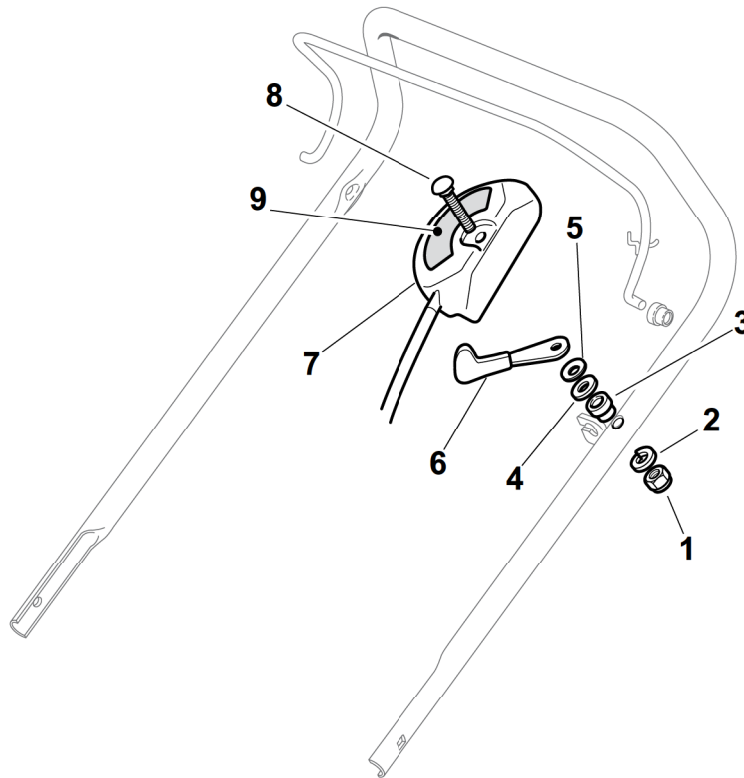
POS.	CODE	Q.TY	DESCRIZIONE	DESCRIPTION	DESCRIPTION	BESCHREIBUNG	REMARKS
12	322778433/0	1	Staffa Sx	Bracket, L	Bride G	Pratze, Linke	
13	12793301/0	2	Vite	Screw	Vis	Schraube	
14	322778431/0	1	Staffa Dx	Bracket, R	Bride D	Pratze, Rechte	
21	12728300/0	4	Vite	Screw	Vis	Schraube	
22	112728696/0	2	Vite	Screw	Vis	Schraube	
23	322109740/0	1	Copertura Inf. Rosso Cast.	Cover, Lower Red Cast.	Couvre, Inferieure Rouge Cast.	Unterkappe, Rot Cast.	Castelgarden
23	322109806/0	1	Copertura Inf. Rosso Mount.	Cover, Lower Red Mount.	Couvre, Inferieure Rouge Mount.	Unterkappe, Rot Mount.	Mountfield
23	322109822/0	1	Copertura Inf. Giallo	Cover, Lower Yellow	Couvre, Inferieure Jaune	Unterkappe, Rot Gelb	Stiga
24	322109739/0	1	Chiusura Post. Grigio	Rear Cover, Grey	Couvercle Arriere, Gris	Deckel Hinter, Grau	
24	322109808/0	1	Chiusura Post. Nero	Rear Cover, Black	Couvercle Arriere, Noir	Deckel Hinter, Schwarz	
25	112728706/0	6	Vite	Screw	Vis	Schraube	
26	322109735/0	1	Copertura Sup. Rosso Cast.	Cover, Upper Red Cast.	Couvre, Sup. Rouge Cast.	Oberteilkappe, Rot Cast.	Castelgarden
26	322109807/0	1	Copertura Sup. Rosso Mount.	Cover, Upper Red Mount.	Couvre, Sup. Rouge Mount.	Oberteilkappe, Rot Mount.	Mountfield
26	322109823/0	1	Copertura Sup. Giallo	Cover, Upper Yellow	Couvre, Sup. Jaune	Oberteilkappe, Rot Gelb	Stiga
28	122517861/0	1	Perno	Pin	Pivot	Bolzen	
29	381119700/0	1	Copertura Sup. Grigio	Cover, Upper Grey	Couvre, Sup. Gris	Oberteilkappe, Rot Grau	
29	381119701/0	1	Copertura Sup. Nero	Cover, Upper Black	Couvre, Sup. Noir	Oberteilkappe, Rot Schwarz	
31	322109738/0	1	Coperchio, Grigio	Cover, Grey	Couvercle, Gris	Deckel, Grau	
31	322109809/0	1	Coperchio, Nero	Cover, Black	Couvercle, Noir	Deckel, Schwarz	
32	112728696/0	2	Vite	Screw	Vis	Schraube	
35	322140234/0	1	Deflettore	Deflector	Deflecteur	Deflektor	

CAL 534**TR SIL****TR 4S SIL****W TR SIL**

2009

81_002

1 / 1

silent

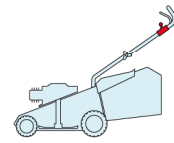
POS.	CODE	Q.TY	DESCRIZIONE	DESCRIPTION	DESCRIPTION	BESCHREIBUNG	REMARKS
1	12291000/0	1	Dado	Nut	Ecrou	Mutter	
2	12581500/0	1	Grower	Grower	Grower	Federring	
3	22171005/0	1	Distanziale	Spacer	Entretoise	Distanzring	
4	12521360/0	1	Rosetta	Washer	Rondelle	Scheibe	
5	12508100/0	1	Rosetta Elastica	Spring Washer	Rondelle Elastique	Elastische Scheibe	
6	81007279/1	1	Leva, Acceleratore	Lever, Throttle	Levier, Accelérateur	Hebel, Beschleuniger	
7	81007080/0	1	Cavo Acceleratore	Throttle Cable	Cable, Accelérateur	Gashebel Kabel	
8	12815000/0	1	Vite	Screw	Vis	Schraube	
9	14356702/0	1	Etichetta	Label	Etiquette	Etikette	

CAL 534

TR SIL

TR 4S SIL

W TR SIL

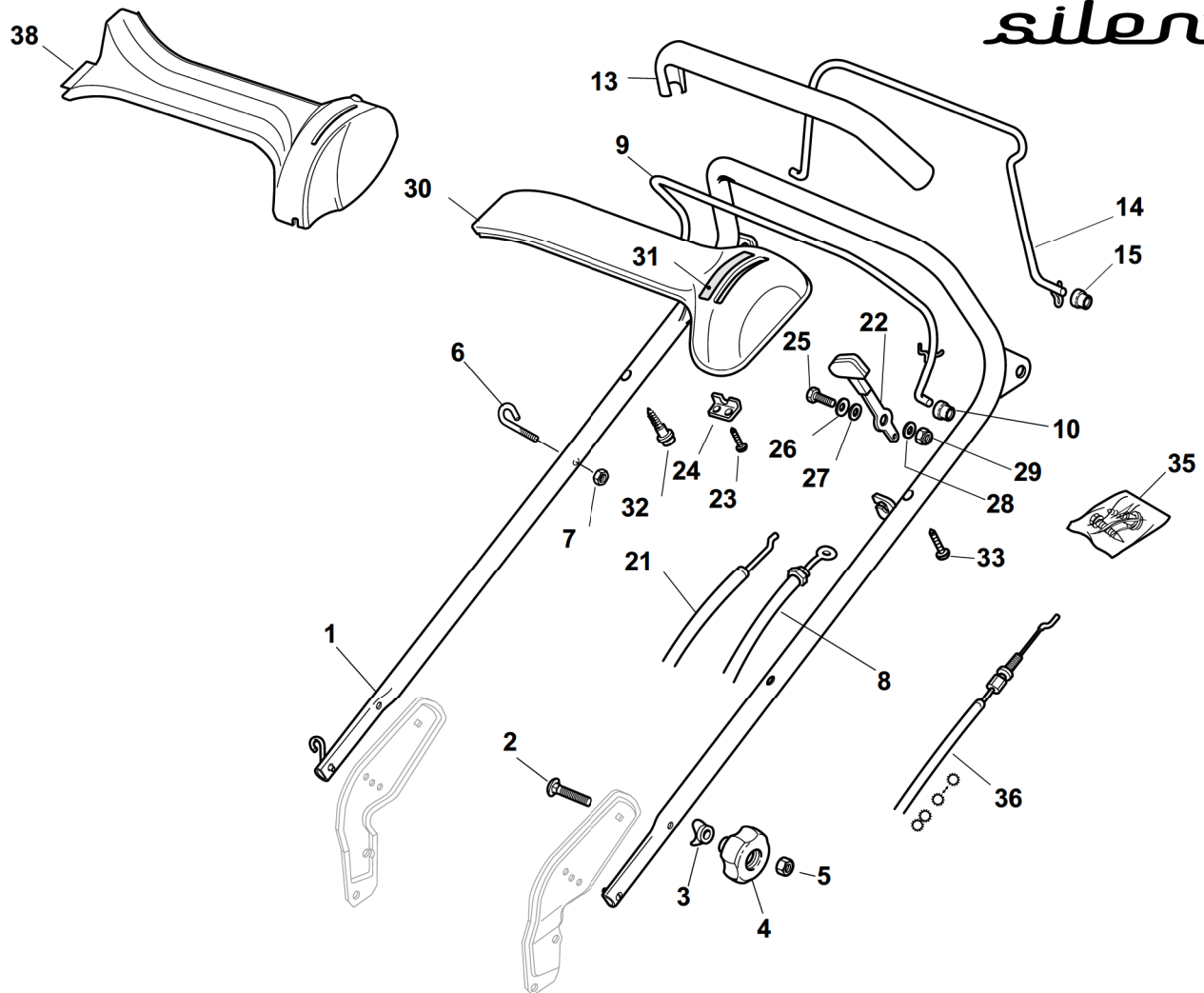


2009

81_003

1/2

silent



POS.	CODE	Q.TY	DESCRIZIONE	DESCRIPTION	DESCRIPTION	BESCHREIBUNG	REMARKS
1	381006869/1	1	Manico, Parte Sup	Handle, Upper Part	Mancheron, Partie Supérieure	Holm, Oberteil	
2	12819120/0	2	Vite	Screw	Vis	Schraube	
3	22680006/1	2	Rosetta	Washer	Rondelle	Scheibe	
4	322399804/1	2	Manopolina	Knob	Poignée	Griff	
5	12293200/0	2	Dado	Nut	Ecrou	Mutter	
6	22430313/0	1	Molla Guida	Guide Spring	Ressort De Guide	Feder Führer	
7	12154510/0	1	Dado	Nut	Ecrou	Mutter	
8	181030026/0	1	Cavo Freno Motore	Cable, Thread Engine Brake	Cable Frein Moteur	Kabel, Motorbremse	(Ggp 160cc)
9	81003291/3	1	Leva Freno Motore	Lever, Engine Brake	Levier Frein Moteur	Hebel, Motorbremse	
10	22041966/0	2	Bussola	Bush	Douille	Buchse	
11	12728518/0	1	Vite	Screw	Vis	Schraube	
12	22806612/0	1	Supporto	Support	Support	Halter	
13	22291050/0	1	Impugnatura Manico Nera	Handgrip Black	Poignée Noire	Handgriff Schwarz	
14	81003288/1	1	Leva Trazione	Lever, Driving	Levier Traction	Hebel, Antrieb	
15	22041965/1	2	Bussola	Bush	Douille	Buchse	
21	81007160/0	1	Cavo Acceleratore	Throttle Cable	Cable, Accelérateur	Gashebel Kabel	
22	81007280/2	1	Leva, Acceleratore	Lever, Throttle	Levier,	Hebel, Beschleuniger	

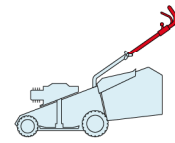
POS.	CODE	Q.TY	DESCRIZIONE	DESCRIPTION	DESCRIPTION	BESCHREIBUNG	REMARKS
23	12735105/0	2	Vite	Screw	Vis	Schraube	
24	22981467/0	1	Piastrina	Plate	Plaquette	Platte	
25	12791500/0	1	Vite	Screw	Vis	Schraube	
25	12530060/0	1	Rosetta Elastica	Elastic Washer	Rondelle Elastique	Elastische Scheibe	
27	12523040/0	1	Rosetta	Washer	Rondelle	Scheibe	
28	12523040/0	1	Rosetta	Washer	Rondelle	Scheibe	
29	12154510/0	1	Dado	Nut	Ecrou	Mutter	
30	22120152/0	1	Cruscotto Giallo	Dash Board Yellow	Console Jaune	Konsole Gelbe	
30	22120154/0	1	Cruscotto Rosso	Dash Board Red	Console Rouge	Konsole Rote	
30	22120158/0	1	Cruscotto Nero	Dash Board Black	Console Noire	Konsole Schwarze	
31	114356743/1	1	Etichetta	Label	Etiquette	Etikette	
32	22943006/0	1	Vite	Screw	Vis	Schraube	
33	12728460/0	1	Vite	Screw	Vis	Schraube	
35	81008609/0	1	Dotazione Viteria Cruscotto	Outfit, Dash-Board Screws	Dotation Visserie Console	Satz, Konsole Schrauben	
36	381030025/0	1	Cavo Comando Trazione	Cable, Rear Drive	Câble, Commande Traction	Kabel, Antrieb	(General Transmission)
38	22120172/0	1	Cruscotto Nero	Dash Board Black	Console Noire	Konsole Schwarze	
38	22120173/0	1	Cruscotto Rosso	Dash Board Red	Console Rouge	Konsole Rote	
38	22120174/0	1	Cruscotto Giallo	Dash Board Yellow	Console Jaune	Konsole Gelbe	

CAL 534

TR SIL

TR 4S SIL

W TR SIL

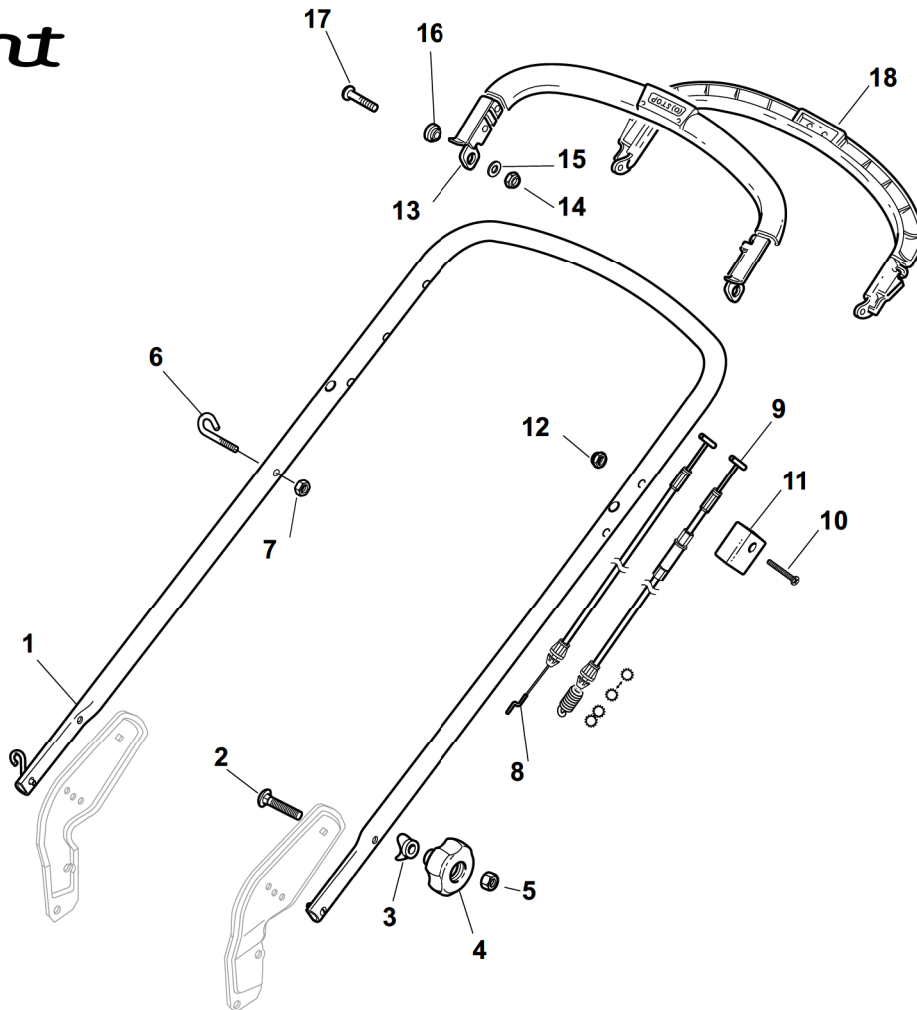


2009

81_004

1 / 1

silent



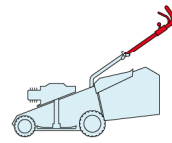
POS.	CODE	Q.TY	DESCRIZIONE	DESCRIPTION	DESCRIPTION	BESCHREIBUNG	REMARKS
1	381006691/0	1	Manico, Parte Sup	Handle, Upper Part	Mancheron, Partie Supérieure	Holm, Oberteil	
2	12819120/0	2	Vite	Screw	Vis	Schraube	
3	22680006/1	2	Rosetta	Washer	Rondelle	Scheibe	
4	322399804/1	2	Manopolina	Knob	Poignée	Griff	
5	12293200/0	2	Dado	Nut	Ecrou	Mutter	
6	22430313/0	1	Molla Guida	Guide Spring	Ressort De Guide	Feder Führer	
7	12154510/0	1	Dado	Nut	Ecrou	Mutter	
8	381030028/0	1	Cavo Freno Motore	Cable, Thread Engine Brake	Cable Frein Moteur	Kabel, Motorbremse	(Ggp 160cc)
9	381030029/0	1	Cavo Comando Trazione	Cable, Rear Drive	Câble, Commande Traction	Kabel, Antrieb	(General Transmission)
10	12689500/0	2	Vite	Screw	Vis	Schraube	
11	22551640/0	1	Piastrina	Plate	Plaquette	Plättchen	
12	12154510/0	1	Dado	Nut	Ecrou	Mutter	
13	381003330/0	1	Leva Freno Motore	Lever, Engine Brake	Levier Frein Moteur	Hebel, Motorbremse	
14	12154510/0	2	Dado	Nut	Ecrou	Mutter	
15	12523010/0	2	Rosetta	Washer	Rondelle	Scheibe	
16	22041960/0	2	Bussola	Bush	Douille	Buchse	
17	122524328/0	2	Perno	Pin	Pivot	Bolzen	
18	81003297/1	1	Leva Trazione	Driving Lever	Levier Traction	Antriebhebel	

CAL 534

TR SIL

TR 4S SIL

W TR SIL

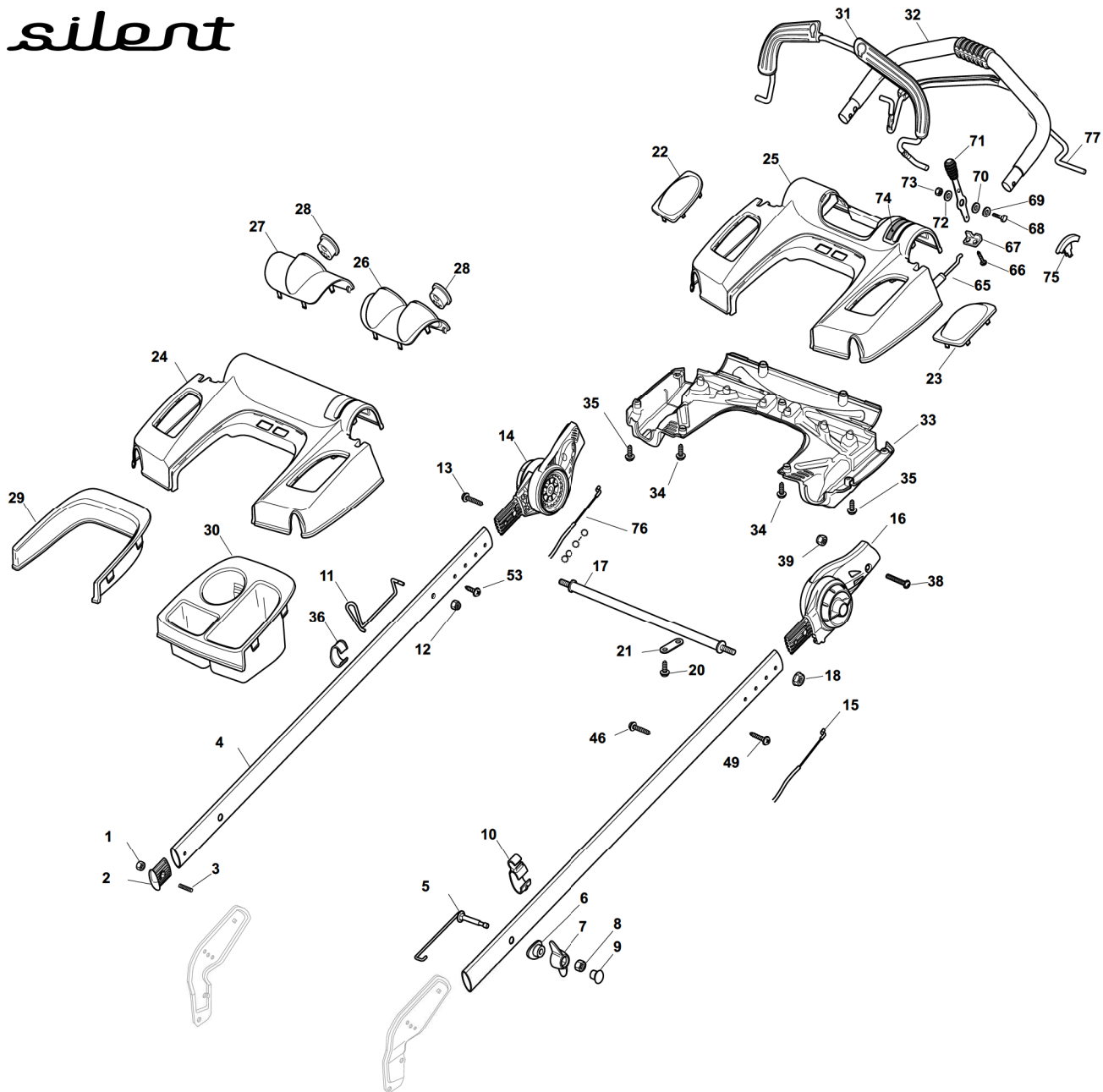


2009

81_005

1 / 2

silent



POS.	CODE	Q.TY	DESCRIZIONE	DESCRIPTION	DESCRIPTION	BESCHREIBUNG	REMARKS
1	12154510/0	2	Dado	Nut	Ecrou	Mutter	
2	22820071/0	2	Puntale	Cap	Bouchon	Gummistopfen	
3	12789450/0	2	Vite	Screw	Vis	Schraube	
4	322498105/1	2	Manico	Handle	Mancheron	Holm	
5	381003805/0	2	Molla Guida	Spring	Ressort	Feder	
6	22680012/0	2	Rosetta	Washer	Rondelle	Scheibe	
7	22399821/0	2	Manopolina	Knob	Poignée	Griff	
8	12293200/0	2	Dado	Nut	Ecrou	Mutter	
9	322820072/1	2	Tappo	Cap	Bouchon	Stopfen	
10	22192003/0	1	Fermacavo	Fairlead	Fixation Cable	Kabelbefestigung	
11	122430316/1	1	Molla Guida	Spring	Ressort	Feder	

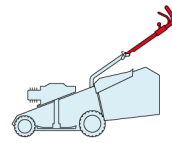
POS.	CODE	Q.TY	DESCRIZIONE	DESCRIPTION	DESCRIPTION	BESCHREIBUNG	REMARKS
12	12154330/0	1	Dado	Nut	Ecrou	Mutter	
13	112728698/0	1	Vite	Screw	Vis	Schraube	
14	381745003/0	1	Snodo	Joint	Joint	Gelenk	
15	181030031/0	1	Cavo Freno Motore	Cable, Thread Engine Brake	Cable Frein Moteur	Kabel, Motorbremse	(Ggp 160cc)
16	381745004/0	1	Snodo	Joint	Joint	Gelenk	
17	122608537/1	1	Rinforzo	Stiffening	Renforcement	Verstaerkung	
18	12293201/0	2	Dado	Nut	Ecrou	Mutter	
20	12728691/0	2	Vite	Screw	Vis	Schraube	
21	322981471/0	2	Piastrina	Plate	Plaque	Platte	
22	322557155/1	1	Coperchio	Cover	Couvercle	Deckel	
23	322557156/1	1	Coperchio	Cover	Couvercle	Deckel	
24	322120184/2	1	Cruscotto	Dash Board	Console	Konsole	
25	322120185/2	1	Cruscotto	Dash Board	Console	Konsole	
26	322109542/1	1	Coperchio	Cover	Couvercle	Deckel	
27	322109541/1	1	Coperchio	Cover	Couvercle	Deckel	
28	122480000/1	1	Orologio	Clock	Montre	Uhr	
29	322109543/1	1	Protezione	Protection	Protection	Schutz	
30	322109540/1	1	Vaschette Portaoggetti	Tray	Bac De Rangement	Ablage	
31	81003325/0	1	Leva Freno Motore	Lever, Engine Brake	Levier Frein Moteur	Hebel, Motorbremse	
32	381006670/1	1	Impugnatura Manico	Handgrip	Poignée	Handgriff	
33	322109547/0	1	Coperchio	Cover	Couvercle	Deckel	
34	112728706/0	2	Vite	Screw	Vis	Schraube	
35	112728695/0	7	Vite	Screw	Vis	Schraube	
36	322192004/0	1	Fascetta	Anchor Clamp	Collier Ancrage	Bowdenzughalter	
38	112727799/0	2	Vite	Screw	Vis	Schraube	
39	12154510/0	2	Dado	Nut	Ecrou	Mutter	
46	12728526/0	1	Vite	Screw	Vis	Schraube	
49	112728698/0	1	Vite	Screw	Vis	Schraube	
53	12728526/0	1	Vite	Screw	Vis	Schraube	
65	81007160/0	1	Cavo Acceleratore	Throttle Cable	Cable, Accelérateur	Gashebel Kabel	
66	12735105/0	2	Vite	Screw	Vis	Schraube	
67	22981467/0	1	Piastrina	Plate	Plaquette	Platte	
68	12791500/0	1	Vite	Screw	Vis	Schraube	
69	12530060/0	1	Rosetta	Washer	Rondelle	Scheibe	
70	12523040/0	1	Rosetta	Washer	Rondelle	Scheibe	
71	381007225/1	1	Leva, Acceleratore - Nera	Lever, Throttle	Levier,	Hebel, Beshleuniger	
71	381007222/1	1	Leva, Acceleratore - Rossa	Lever, Throttle	Levier,	Hebel, Beshleuniger	
72	12523040/0	1	Rosetta	Washer	Rondelle	Scheibe	
73	12154510/0	1	Dado	Nut	Ecrou	Mutter	
74	114362229/1	1	Etichetta	Label	Etiquette	Etikette	(Ggp 160 cc)
75	22557160/0	1	Tappo	Cap	Bouchon	Gummistopfen	
76	381030023/0	1	Cavo Comando Trazione	Cable, Rear Drive	Câble, Commande Traction	Kabel, Antrieb	(General Transmission)
77	381003328/0	1	Leva Trazione	Lever, Driving	Levier Traction	Hebel, Antrieb	

CAL 534

TR SIL

TR 4S SIL

WTR SIL

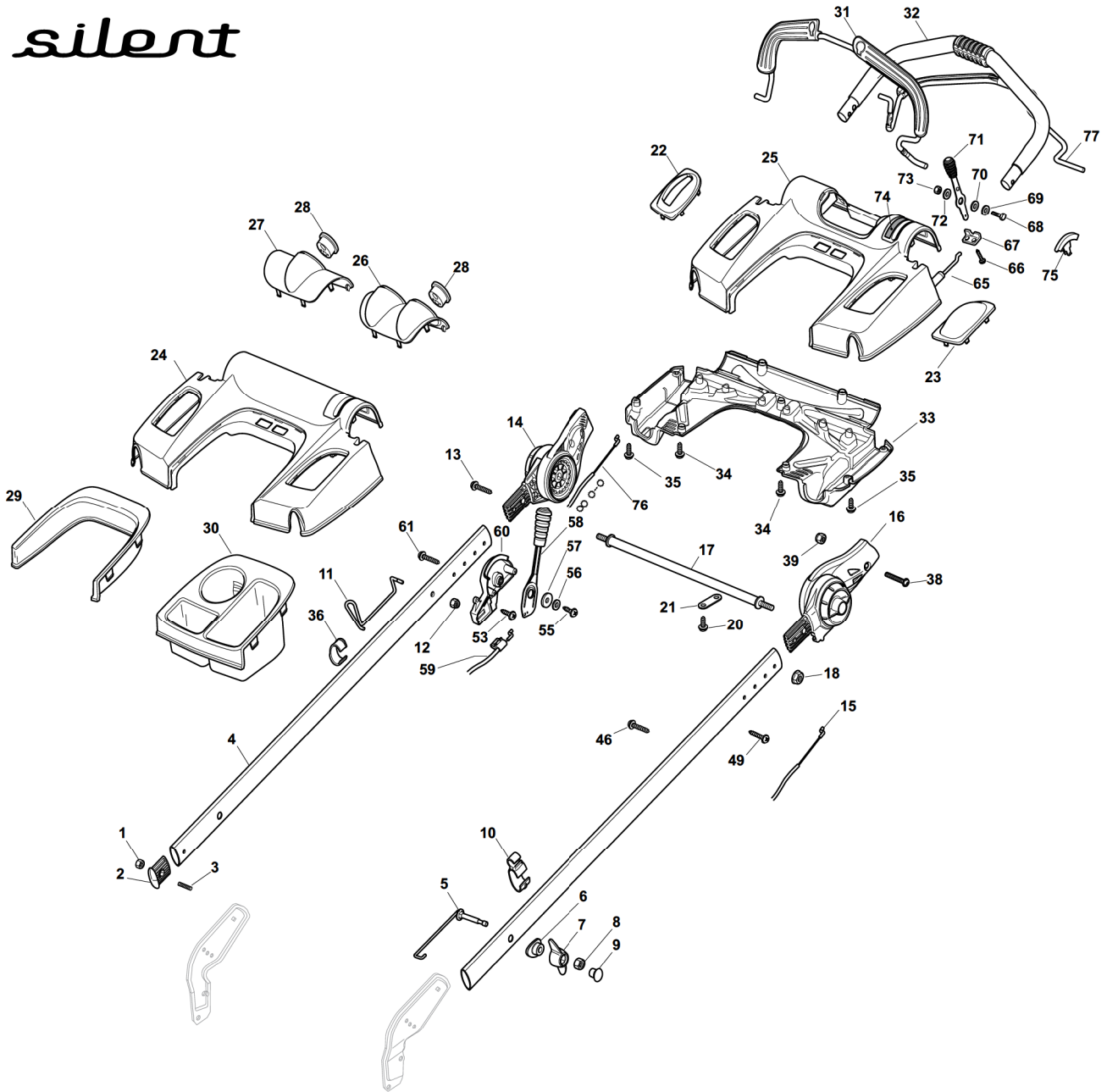


2009

81_006

1 / 2

silent



POS.	CODE	Q.TY	DESCRIZIONE	DESCRIPTION	DESCRIPTION	BESCHREIBUNG	REMARKS
1	12154510/0	2	Dado	Nut	Ecrou	Mutter	
2	22820071/0	2	Puntale	Cap	Bouchon	Gummistopfen	
3	12789450/0	2	Vite	Screw	Vis	Schraube	
4	322498105/1	2	Manico	Handle	Mancheron	Holm	
5	381003805/0	2	Molla Guida	Spring	Ressort	Feder	
6	22680012/0	2	Rosetta	Washer	Rondelle	Scheibe	
7	22399821/0	2	Manopolina	Knob	Poignée	Griff	
8	12293200/0	2	Dado	Nut	Ecrou	Mutter	
9	322820072/1	2	Tappo	Cap	Bouchon	Stopfen	
10	22192003/0	1	Fermacavo	Fairlead	Fixation Cable	Kabelbefestigung	
11	122430316/1	1	Molla Guida	Spring	Ressort	Feder	

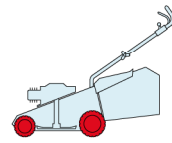
POS.	CODE	Q.TY	DESCRIZIONE	DESCRIPTION	DESCRIPTION	BESCHREIBUNG	REMARKS
12	12154330/0	1	Dado	Nut	Ecrou	Mutter	
13	12728702/0	1	Vite	Screw	Vis	Schraube	
14	381745003/0	1	Snodo	Joint	Joint	Gelenk	
15	181030031/0	1	Cavo Freno Motore	Cable, Thread Engine Brake	Cable Frein Moteur	Kabel, Motorbremse	(Ggp 160cc)
16	381745004/0	1	Snodo	Joint	Joint	Gelenk	
17	122608537/1	1	Rinforzo	Stiffening	Renforcement	Verstaerkung	
18	12293201/0	2	Dado	Nut	Ecrou	Mutter	
20	12728691/0	2	Vite	Screw	Vis	Schraube	
21	322981471/0	2	Piastrina	Plate	Plaque	Platte	
22	322557159/1	1	Coperchio	Cover	Couvercle	Deckel	
23	322557156/1	1	Coperchio	Cover	Couvercle	Deckel	
24	322120184/2	1	Cruscotto	Dash Board	Console	Konsole	
25	322120185/2	1	Cruscotto	Dash Board	Console	Konsole	
26	322109542/1	1	Coperchio	Cover	Couvercle	Deckel	
27	322109541/1	1	Coperchio	Cover	Couvercle	Deckel	
28	122480000/1	1	Orologio	Clock	Montre	Uhr	
29	322109543/1	1	Protezione	Protection	Protection	Schutz	
30	322109540/1	1	Vaschette Portaoggetti	Tray	Bac De Rangement	Ablage	
31	81003325/0	1	Leva Freno Motore	Lever, Engine Brake	Levier Frein Moteur	Hebel, Motorbremse	
32	381006670/1	1	Impugnatura Manico	Handgrip	Poignée	Handgriff	
33	322109547/0	1	Coperchio	Cover	Couvercle	Deckel	
34	112728706/0	2	Vite	Screw	Vis	Schraube	
35	112728695/0	7	Vite	Screw	Vis	Schraube	
36	322192004/0	1	Fascetta	Anchor Clamp	Collier Ancrage	Bowdenzughalter	
38	112727799/0	2	Vite	Screw	Vis	Schraube	
39	12154510/0	2	Dado	Nut	Ecrou	Mutter	
46	12728526/0	1	Vite	Screw	Vis	Schraube	
49	112728698/0	1	Vite	Screw	Vis	Schraube	
53	12728527/0	1	Vite	Screw	Vis	Schraube	
55	12728686/0	1	Vite	Screw	Vis	Schraube	
56	12523020/0	1	Rosetta	Washer	Rondelle	Scheibe	
57	22680013/0	1	Rondella	Washer	Rondelle	Scheibe	
58	381007226/1	1	Leva Trazione, Nera	Lever, Driving	Levier Traction	Hebel, Antrieb	
59	381030030/0	1	Cavo Comando Marce	Cable, Speed Drive Control	Cable, Comm. Change- ment Vitesse	Kabel, Gängeschaltun	
60	22785233/0	1	Supporto	Support	Support	Halter	
65	81007160/0	1	Cavo Acceleratore	Throttle Cable	Cable, Accelérateur	Gashebel Kabel	
66	12735105/0	2	Vite	Screw	Vis	Schraube	
67	22981467/0	1	Piastrina	Plate	Plaque	Platte	
68	12791500/0	1	Vite	Screw	Vis	Schraube	
69	12530060/0	1	Rosetta	Washer	Rondelle	Scheibe	
70	12523040/0	1	Rosetta	Washer	Rondelle	Scheibe	
72	381007225/1	1	Leva, Acceleratore - Nera	Lever, Throttle	Levier,	Hebel, Beshleuniger	
72	381007222/1	1	Leva, Acceleratore - Rossa	Lever, Throttle	Levier,	Hebel, Beshleuniger	
72	12523040/0	1	Rosetta	Washer	Rondelle	Scheibe	
73	12154510/0	1	Dado	Nut	Ecrou	Mutter	
74	114362229/1	1	Etichetta	Label	Etiquette	Etikette	(Ggp 160 cc)
75	22557160/0	1	Tappo	Cap	Bouchon	Gummistopfen	
76	381030023/0	1	Cavo Comando Trazione	Cable, Rear Drive	Câble, Commande Traction	Kabel, Antrieb	(General Transmission)
77	381003328/0	1	Leva Trazione	Lever, Driving	Levier Traction	Hebel, Antrieb	

CAL 534

TR SIL

TR 4S SIL

WTR SIL

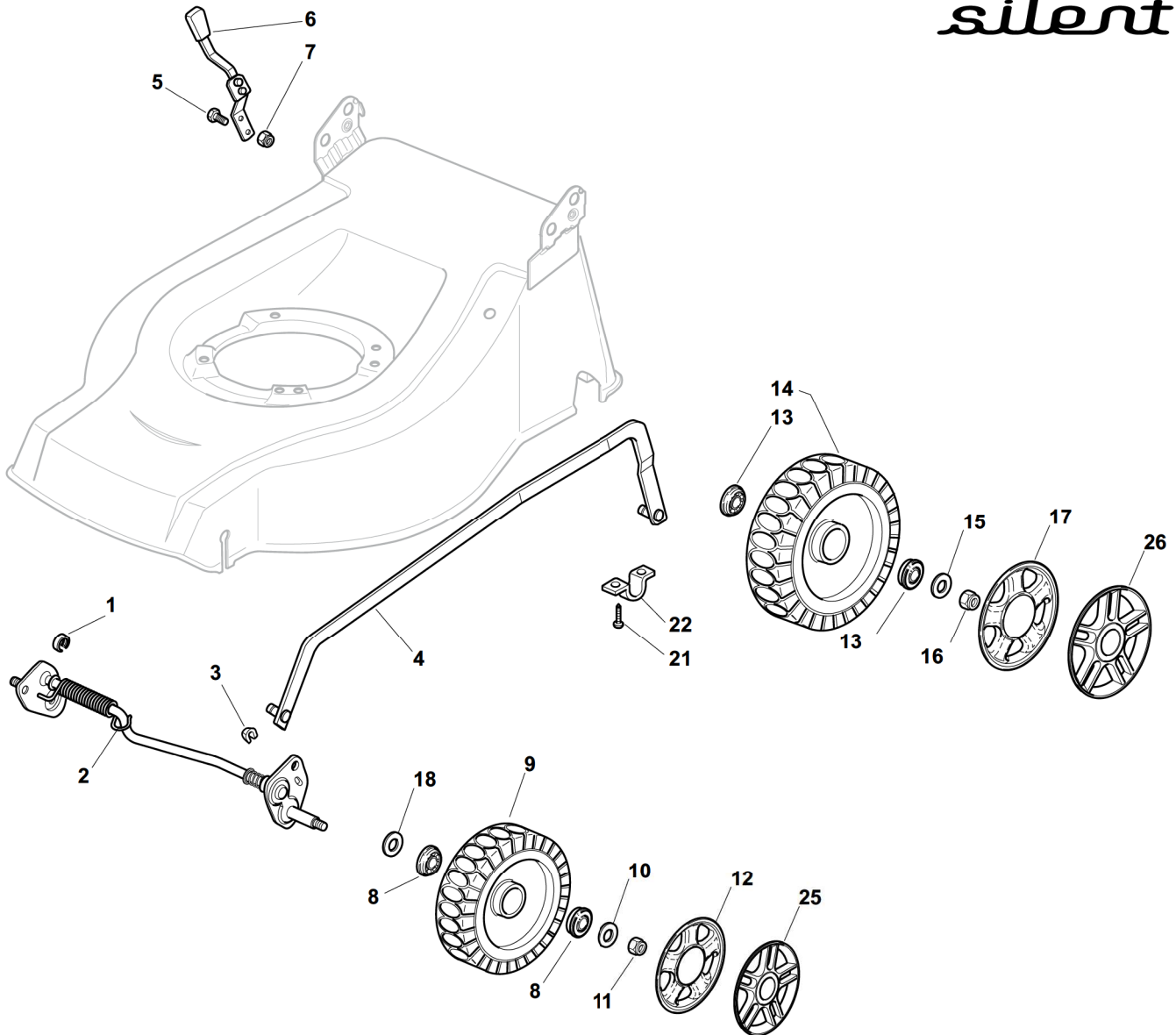


2009

81_007

1 / 2

silent



POS.	CODE	Q.TY	DESCRIZIONE	DESCRIPTION	DESCRIPTION	BESCHREIBUNG	REMARKS
1	22171002/0	1	Distanziale	Spacer	Entretoise	Distanzring	
2	81000143/1	1	Asse Ruote Anteriori	Axle, Front Wheels	Axe Roues Avant	Achse, Vorderrad	
3	112436050/1	2	Piastrina	Plate	Plaquette	Plättchen	
4	381002021/0	1	Asta Comando Regol. Altezza	Rod, Height Adjustment	Tige Commande Reglage Hauteur	Stange, Höheverstellung	
5	12789000/0	2	Vite	Screw	Vis	Schraube	
6	81003283/1	1	Leva Regolazione Altezza	Lever, Height Adjustment	Levier, Reglage Hauteur	Hebel, Höheverstellung	
7	12154320/0	2	Dado	Nut	Ecrou	Mutter	
8	22122200/0	4	Cuscinetto	Bearing	Coussinet	Lager	
9	81007336/0	2	Ruota Scolpita Ø 170	Wheel, Knobby Ø 170	Roue Sculptee Ø 170	Rad M. Stollenpr. Ø 170	
10	12521350/0	2	Rosetta	Washer	Rondelle	Scheibe	
11	12155000/0	2	Dado	Nut	Ecrou	Mutter	
12	22110381/0	2	Coprimozzo Grigio	Hub Cap, Grey	Couvre-Moyeu, Gris	Radkappe, Grau	
13	22122200/0	4	Cuscinetto	Bearing	Coussinet	Lager	

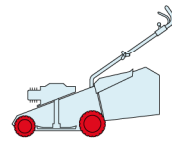
POS.	CODE	Q.TY	DESCRIZIONE	DESCRIPTION	DESCRIPTION	BESCHREIBUNG	REMARKS
14	81007337/0	2	Ruota Scolpita Ø 210	Wheel, Knobbly Ø 210	Roue Sculptee Ø 210	Rad M. Stollenpr. Ø 210	
15	12521350/0	2	Rosetta	Washer	Rondelle	Scheibe	
16	12155000/0	2	Dado	Nut	Ecrou	Mutter	
17	22110382/0	2	Coprizzo Grigio	Hub Cap, Grey	Couvre-Moyeu, Gris	Radkappe, Grau	
18	12530150/0	2	Rosetta Elastica	Elastic Washer	Rondelle Elastique	Elastische Scheibe	
21	12731350/0	4	Vite	Screw	Vis	Schraube	
22	22545152/0	2	Piastrina	Plate	Plaquette	Platte	
25	22110491/0	2	Coprizzo Grigio	Hub Cap, Grey	Couvre-Moyeu, Gris	Radkappe, Grau	
26	22110492/0	2	Coprizzo Grigio	Hub Cap, Grey	Couvre-Moyeu, Gris	Radkappe, Grau	

CAL 534

TR SIL

TR 4S SIL

WTR SIL

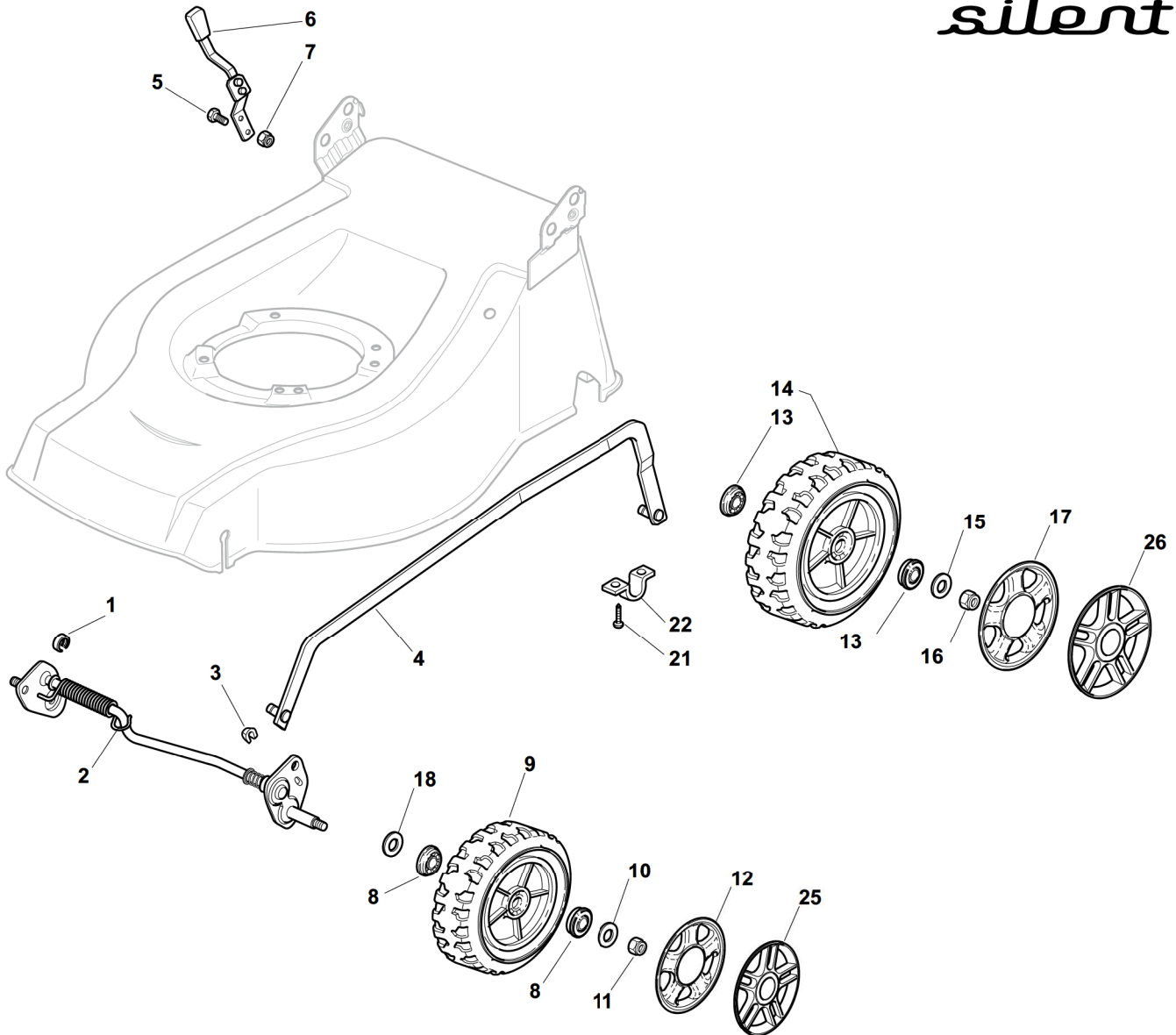


2009

81_008

1 / 2

silent



POS.	CODE	Q.TY	DESCRIZIONE	DESCRIPTION	DESCRIPTION	BESCHREIBUNG	REMARKS
1	22171002/0	1	Distanziale	Spacer	Entretoise	Distanzring	
2	81000143/1	1	Asse Ruote Anteriori	Axle, Front Wheels	Axe Roues Avant	Achse, Vorderrad	
3	112436050/1	2	Piastrina	Plate	Plaquette	Plättchen	
4	381002021/0	1	Asta Comando Regol. Altezza	Rod, Height Adjustment	Tige Commande Reglage Hauteur	Stange, Höheverstellung	
5	12789000/0	2	Vite	Screw	Vis	Schraube	
6	81003283/1	1	Leva Regolazione Altezza	Lever, Height Adjustment	Levier, Reglage Hauteur	Hebel, Höheverstellung	
7	12154320/0	2	Dado	Nut	Ecrou	Mutter	
8	22122200/0	4	Cuscinetto	Bearing	Coussinet	Lager	
9	81007351/0	2	Ruota Scolpita Ø 170	Wheel, Knobby Ø 170	Roue Sculptee Ø 170	Rad M. Stollenpr. Ø 170	
10	12521350/0	2	Rosetta	Washer	Rondelle	Scheibe	
11	12155000/0	2	Dado	Nut	Ecrou	Mutter	
12	22110381/0	2	Coprimozzo Grigio	Hub Cap, Grey	Couvre-Moyeu, Gris	Radkappe, Grau	
13	22122200/0	4	Cuscinetto	Bearing	Coussinet	Lager	

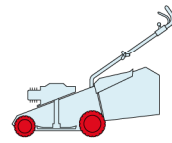
POS.	CODE	Q.TY	DESCRIZIONE	DESCRIPTION	DESCRIPTION	BESCHREIBUNG	REMARKS
14	81007343/0	2	Ruota Scolpita Ø 210	Wheel, Knobbly Ø 210	Roue Sculptee Ø 210	Rad M. Stollenpr. Ø 210	
15	12521350/0	2	Rosetta	Washer	Rondelle	Scheibe	
16	12155000/0	2	Dado	Nut	Ecrou	Mutter	
17	22110382/0	2	Coprимozzo Grigio	Hub Cap, Grey	Couvre-Moyeu, Gris	Radkappe, Grau	
18	12530150/0	2	Rosetta Elastica	Elastic Washer	Rondelle Elastique	Elastische Scheibe	
21	12731350/0	4	Vite	Screw	Vis	Schraube	
22	22545152/0	2	Piastrina	Plate	Plaquette	Platte	
25	22110491/0	2	Coprимozzo Grigio	Hub Cap, Grey	Couvre-Moyeu, Gris	Radkappe, Grau	
26	22110492/0	2	Coprимozzo Grigio	Hub Cap, Grey	Couvre-Moyeu, Gris	Radkappe, Grau	

CAL 534

TR SIL

TR 4S SIL

WTR SIL

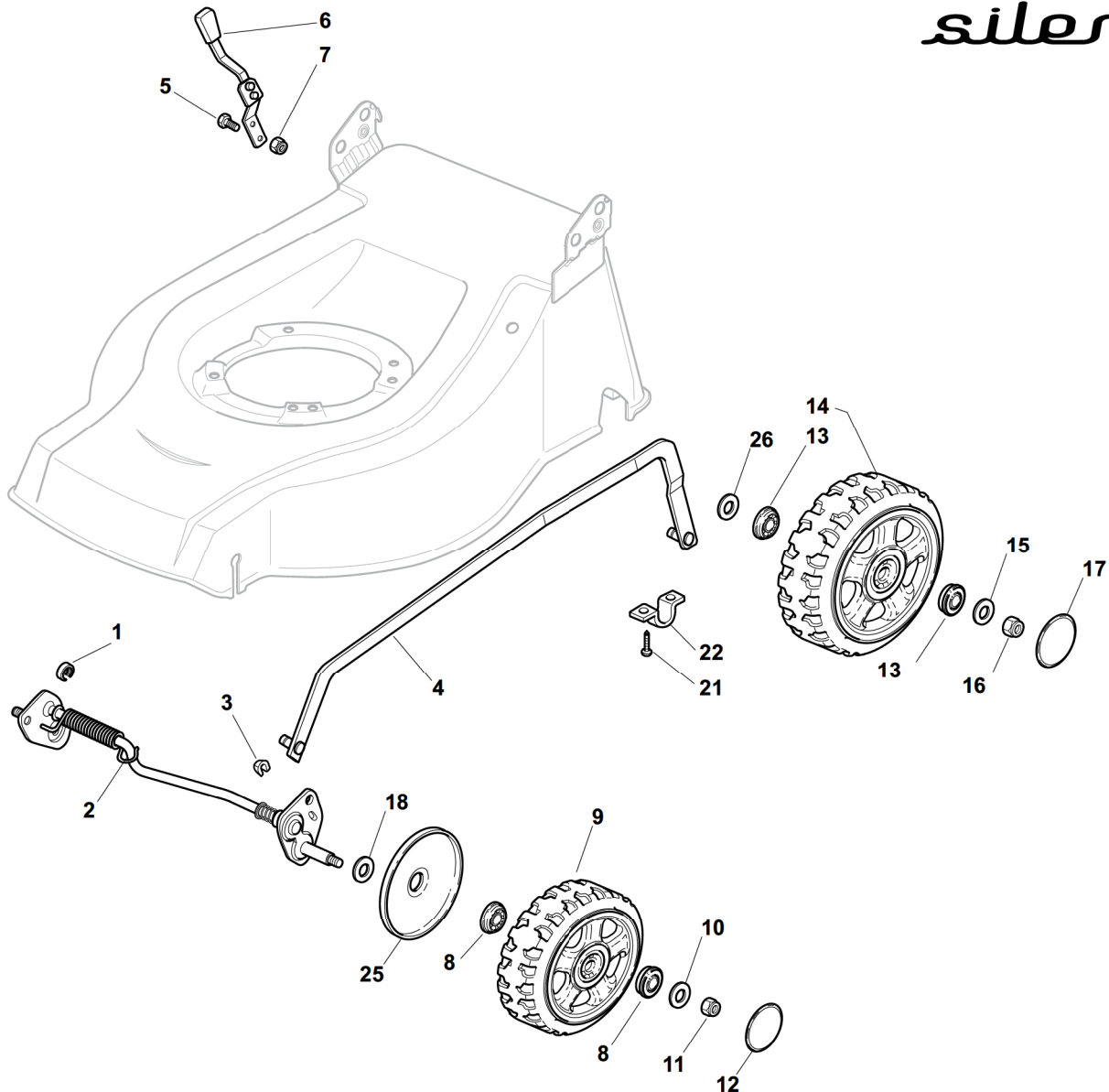


2009

81_009

1 / 2

silent



POS.	CODE	Q.TY	DESCRIZIONE	DESCRIPTION	DESCRIPTION	BESCHREIBUNG	REMARKS
1	22171002/0	1	Distanziale	Spacer	Entretoise	Distanzring	
2	81000143/1	1	Asse Ruote Anteriori	Axle, Front Wheels	Axe Roues Avant	Achse, Vorderrad	
3	112436050/1	2	Piastrina	Plate	Plaquette	Plättchen	
4	381002021/0	1	Asta Comando Regol. Altezza	Rod, Height Adjustment	Tige Commande Reglage Hauteur	Stange, Höheverstellung	
5	12789000/0	2	Vite	Screw	Vis	Schraube	
6	81003283/1	1	Leva Regolazione Altezza	Lever, Height Adjustment	Levier, Reglage Hauteur	Hebel, Höheverstellung	
7	12154320/0	2	Dado	Nut	Ecrou	Mutter	
8	22122200/0	4	Cuscinetto	Bearing	Coussinet	Lager	
9	81007376/0	2	Ruota Ø 170	Wheel Ø 170	Roue Ø 170	Rad. Ø 170	
10	12521350/0	2	Rosetta	Washer	Rondelle	Scheibe	
11	12155000/0	2	Dado	Nut	Ecrou	Mutter	
12	22110418/0	2	Coprimozzo	Hub Cap	Couvre-Moyeu	Radkappe	
13	22122200/0	4	Cuscinetto	Bearing	Coussinet	Lager	

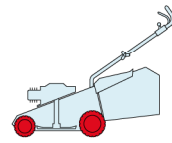
POS.	CODE	Q.TY	DESCRIZIONE	DESCRIPTION	DESCRIPTION	BESCHREIBUNG	REMARKS
14	81007382/0	2	Ruota Ø 210	Wheel Ø 210	Roue Ø 210	Rad. Ø 210	
15	12521350/0	2	Rosetta	Washer	Rondelle	Scheibe	
16	12155000/0	2	Dado	Nut	Ecrou	Mutter	
17	22110419/0	2	Coprizzo	Hub Cap	Couvre-Moyeu	Radkappe	
18	12530150/0	2	Rosetta Elastica	Elastic Washer	Rondelle Elastique	Elastische Scheibe	
21	12731350/0	4	Vite	Screw	Vis	Schraube	
22	22545152/0	2	Piastrina	Plate	Plaquette	Platte	
25	22600144/0	2	Protezione	Protection	Protection	Schutz	
26	22675100/0	2	Rosetta	Washer	Rondelle	Scheibe	

CAL 534

TR SIL

TR 4S SIL

W TR SIL

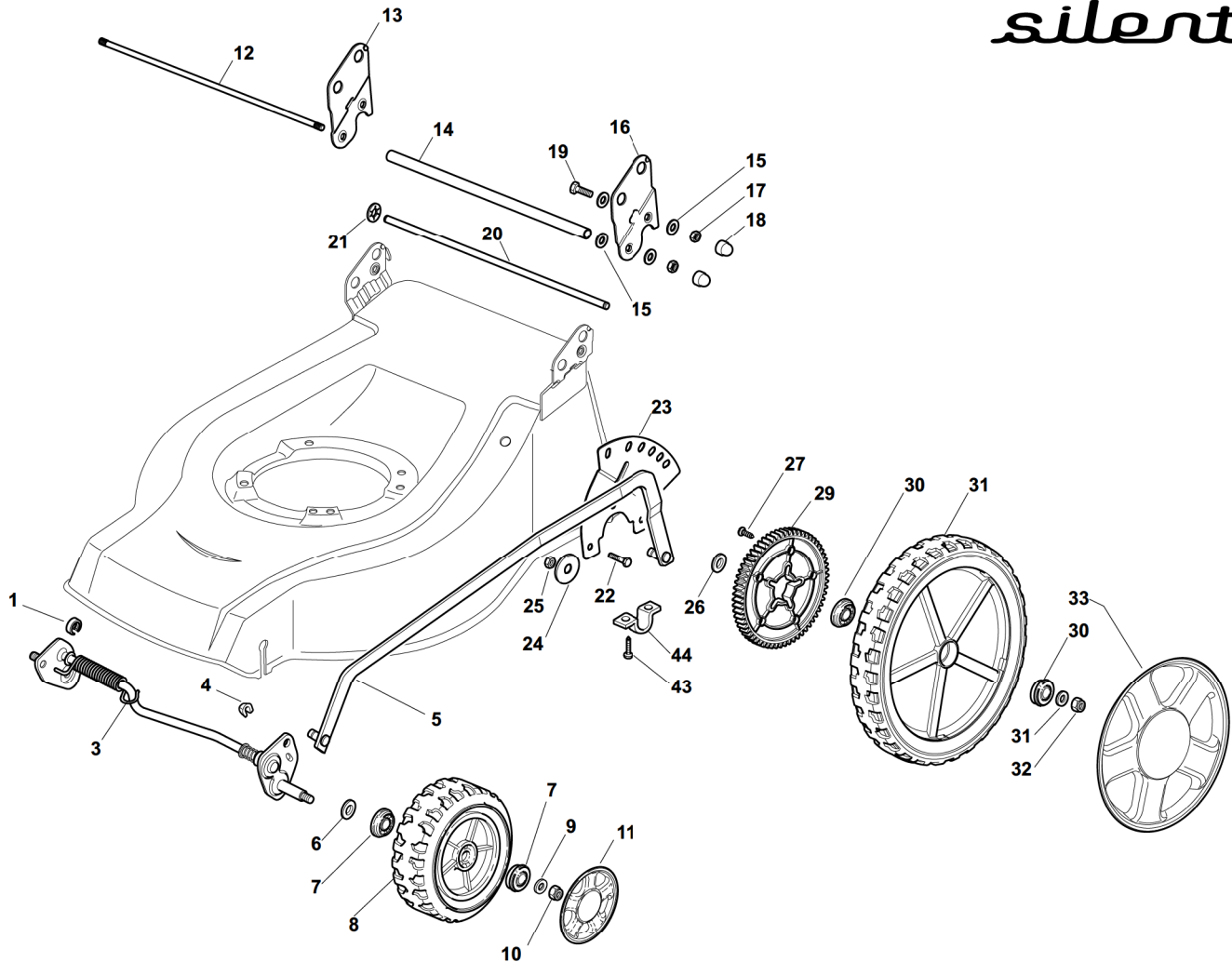


2009

81_010

1 / 2

silent



POS.	CODE	Q.TY	DESCRIZIONE	DESCRIPTION	DESCRIPTION	BESCHREIBUNG	REMARKS
1	22171002/0	2	Distanziale	Spacer	Entretoise	Distanzring	
3	381002859/0	1	Asse Ruote Anteriori	Axle, Front Wheels	Axe Roues Avant	Achse, Vorderrad	
4	12436050/0	2	Piastrina	Plate	Plaquette	Plättchen	
5	381002017/0	1	Asta Comando Regol. Altezza	Rod, Height Adjustment	Tige Commande Reglage Hauteur	Stange, Höheverstellung	
6	12530150/0	2	Rosetta	Washer	Rondelle	Scheibe	
7	22122200/0	4	Cuscinetto	Bearing	Coussinet	Lager	
8	81007343/0	2	Ruota Ø 210	Wheel Ø 210	Roue Ø 210	Rad Ø 210	
9	12521350/0	2	Rosetta	Washer	Rondelle	Scheibe	
10	12155000/0	2	Dado	Nut	Ecrou	Mutter	
11	-	2	Coprimozzo	Hub Cap	Couvre-Moyeu	Radkappe	(See Enclosure 2)
12	22517702/1	1	Fulcro Parasassi	Stone Guard Fulcrum	Point D'Appui Parepierres	Drehpunkt Prallblech	
13	22778427/0	1	Staffa Dx	Bracket, R	Bride D	Pratze, Rechte	
14	22869717/0	1	Distanziale	Spacer	Entretoise	Distanzring	
15	22671653/0	8	Rosetta	Washer	Rondelle	Scheibe	
16	22778429/0	1	Staffa Sx	Bracket, L	Bride G	Pratze, Linke	
17	12155000/0	4	Dado	Nut	Ecrou	Mutter	
18	18203854/0	4	Cappuccio	Protection	Capuchon	Stecker	

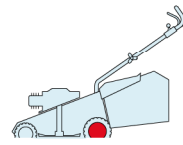
POS.	CODE	Q.TY	DESCRIZIONE	DESCRIPTION	DESCRIPTION	BESCHREIBUNG	REMARKS
19	12793301/0	2	Vite	Screw	Vis	Schraube	
20	22517860/0	1	Perno	Pin	Pivot	Bolzen	
21	12604899/0	2	Fissatore A Corona	Crown Fastener	Fixateur A Couronne	Kronescheibe	
22	12792611/0	3	Vite	Screw	Vis	Schraube	
23	322735579/1	1	Settore Regolazione Altezza	Sector, Height Adjustment	Secteur Reglage Hauteur	Sektor, Höheverstellung	
24	12523060/0	3	Rosetta	Washer	Rondelle	Scheibe	
25	12155000/0	3	Dado	Nut	Ecrou	Mutter	
26	22675100/0	2	Rosetta	Washer	Rondelle	Scheibe	
27	12728691/0	6	Vite	Screw	Vis	Schraube	
28	22120110/0	2	Ruota Dentata	Sprocket	Couronne	Zahnkettenrad	
29	22122200/0	4	Cuscinetto	Bearing	Coussinet	Lager	
30	81007380/0	2	Ruota Ø 300	Wheel Ø 300	Roue Ø 300	Rad Ø 300	
31	12521350/0	4	Rosetta	Washer	Rondelle	Scheibe	
32	12155000/0	2	Dado	Nut	Ecrou	Mutter	
33	-	2	Coprismozzo Ø 300	Hub Cap, Ø 300	Couvre-Moyeu, Ø 300	Radkappe, Ø 300	(See Enclosure 3)
43	12731350/0	4	Vite	Screw	Vis	Schraube	
44	22545152/0	2	Piastrina	Plate	Plaquette	Platte	

CAL 534

TR SIL

TR 4S SIL

WTR SIL

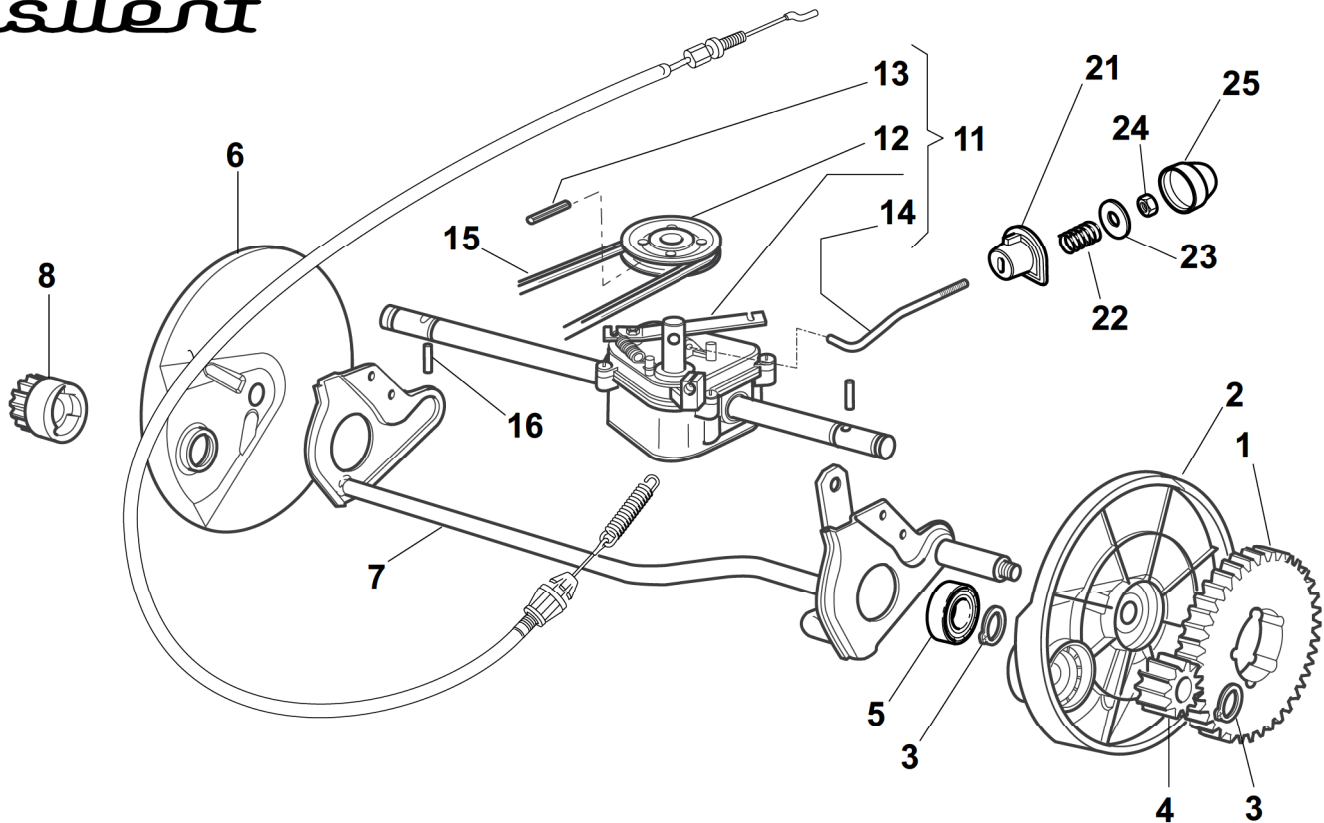


2009

81_012

1 / 1

silent



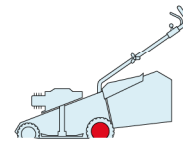
POS.	CODE	Q.TY	DESCRIZIONE	DESCRIPTION	DESCRIPTION	BESCHREIBUNG	REMARKS
1	22120105/1	2	Corona	Ring Gear	Couronne	Kranz	
2	22600093/0	1	Prot. Ruote Sx	Protection, L Wheel	Protection Roue G	Schütz, Linkes	
3	12608600/0	4	Seeger	Seeger	Seeger	Seeger	
4	22570120/1	1	Pignone Sx	Pinion L	Pignon G	Ritzel Linkes	
5	19216035/0	2	Cuscinetto	Bearing	Coussinet	Lager	
6	22600092/0	1	Prot. Ruote Dx	Protection, R Wheel	Protection Roue D	Schütz, Rechtes	
7	81000147/0	1	Asse Ruote Posteriori	Axle, Rear Wheels	Axe Roues Arriere	Achse, Hinterrad	
8	22570110/1	1	Pignone Dx	Pinion R	Pignon D	Ritzel Rechtes	
11	81003092/0	1	Gruppo Trazione	Gear Box	Groupe Traction	Antrieb	(General Transmission)
12	22601904/0	1	Puleggia	Pulley	Poulie	Riemenscheibe	
13	12645705/0	1	Spina	Pin	Goupille	Stift	
14	22033283/0	1	Asta Regolazione	Adjustment Rod	Tige Reglage	Verstellungstange	(General Transmission)
15	35063902/0	1	Cinghia Z 29.5	Belt Z 29.5	Courroie Z 29.5	Riemen Z 29.5	
16	22753000/0	2	Spina	Pin	Goupille	Stift	
21	22041957/1	1	Bussola	Bush	Douille	Buchse	
22	22450063/0	1	Molla	Spring	Ressort	Feder	
23	22680009/0	1	Rosetta	Washer	Rondelle	Scheibe	
24	12154510/0	1	Dado	Nut	Ecrou	Mutter	
25	22110230/0	1	Tappo	Cap	Bouchon	Gummistopfen	

CAL 534

TR SIL

TR 4S SIL

W TR SIL

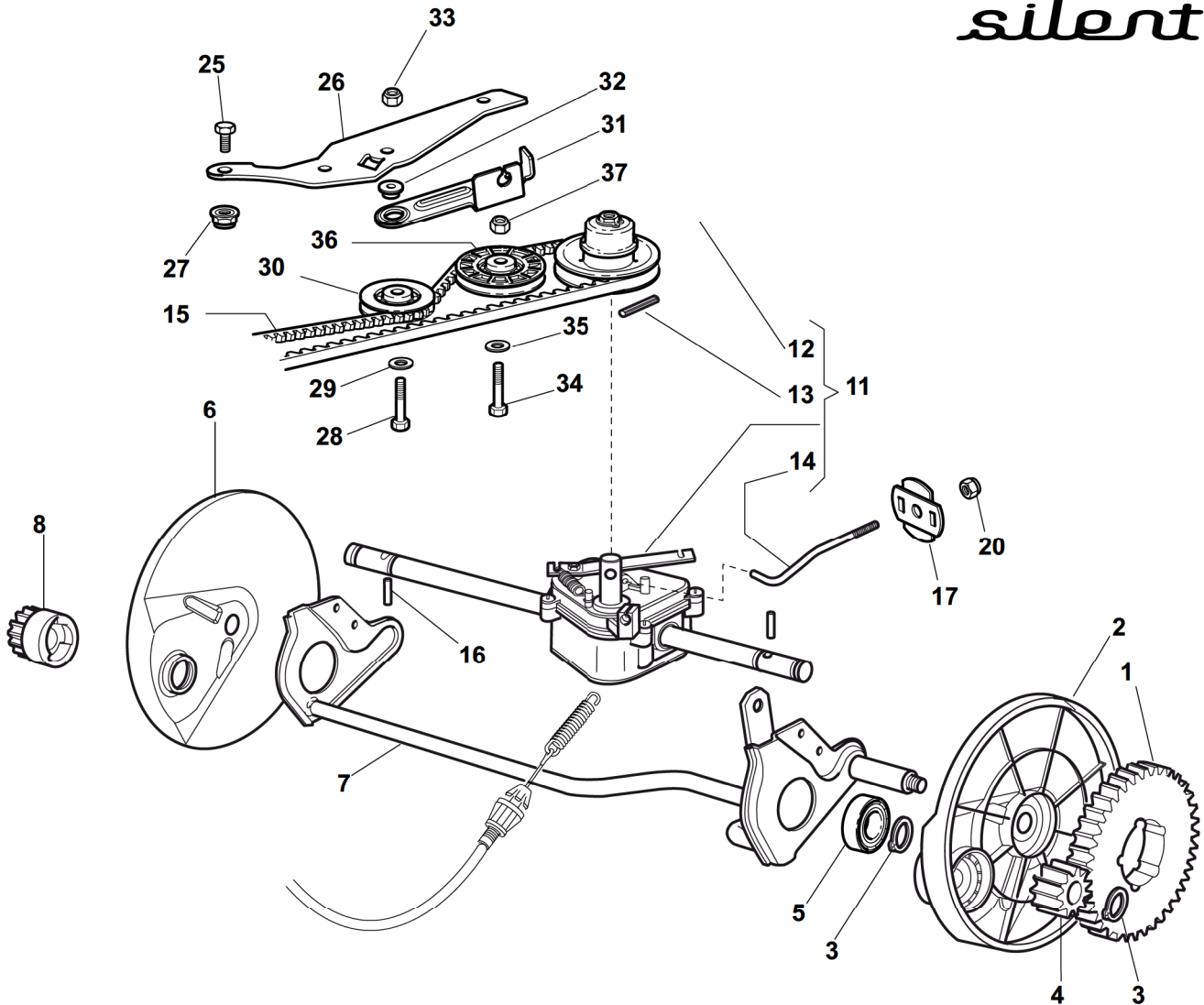


2009

81_013

1/2

silent



POS.	CODE	Q.TY	DESCRIZIONE	DESCRIPTION	DESCRIPTION	BESCHREIBUNG	REMARKS
1	22120105/1	2	Corona	Ring Gear	Couronne	Kranz	
2	22600093/0	1	Prot. Ruote Sx	Protection, L Wheel	Protection Roue G	Schütz, Linkes	
3	12608600/0	4	Seeger	Seeger	Seeger	Seeger	
4	22570120/1	1	Pignone Sx	Pinion L	Pignon G	Ritzel Linkes	
5	19216035/0	2	Cuscinetto	Bearing	Coussinet	Lager	
6	22600092/0	1	Prot. Ruote Dx	Protection, R Wheel	Protection Roue D	Schütz, Rechtes	
7	81000147/0	1	Asse Ruote Posteriori	Axle, Rear Wheels	Axe Roues Arriere	Achse, Hinterrad	
8	22570110/1	1	Pignone Dx	Pinion R	Pignon D	Ritzel Rechtes	
11	181003096/2	1	Gruppo Trazione	Gear Box	Groupe Traction	Antrieb	(General Transmission)
12	122601925/0	1	Puleggia	Pulley	Poulie	Riemenscheibe	
13	12645700/0	1	Spina	Pin	Goupille	Stift	
14	22033285/0	1	Asta Regolazione	Adjustment Rod	Tige Reglage	Verstellungstange	(General Transmission)
15	35064010/0	1	Cinghia Spzx 812	Belt Spzx 812	Courroie Spzx 812	Riemen Spzx 812	534
16	22753000/0	2	Spina	Pin	Goupille	Stift	
17	22675113/0	2	Rosetta	Washer	Rondelle	Scheibe	
20	12154510/0	1	Dado	Nut	Ecrou	Mutter	

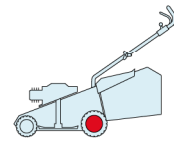
POS.	CODE	Q.TY	DESCRIZIONE	DESCRIPTION	DESCRIPTION	BESCHREIBUNG	REMARKS
25	12791011/0	1	Vite	Screw	Vis	Schraube	
26	22806625/0	1	Supporto	Support	Support	Halter	
27	12292102/0	1	Dado	Nut	Ecrou	Mutter	
28	12689500/0	1	Vite	Screw	Vis	Schraube	
29	12523050/0	1	Rosetta	Washer	Rondelle	Scheibe	
30	22601915/0	1	Puleggia	Pulley	Poulie	Riemenscheibe	
31	22806623/0	1	Supporto	Support	Support	Halter	
32	22671656/0	1	Rosetta	Washer	Rondelle	Scheibe	
33	12154510/0	1	Dado	Nut	Ecrou	Mutter	
34	12674700/0	1	Vite	Screw	Vis	Schraube	
35	12523050/0	1	Rosetta	Washer	Rondelle	Scheibe	
36	22601914/0	1	Puleggia	Pulley	Poulie	Riemenscheibe	
37	12154510/0	1	Dado	Nut	Ecrou	Mutter	

CAL 534

TR SIL

TR 4S SIL

W TR SIL

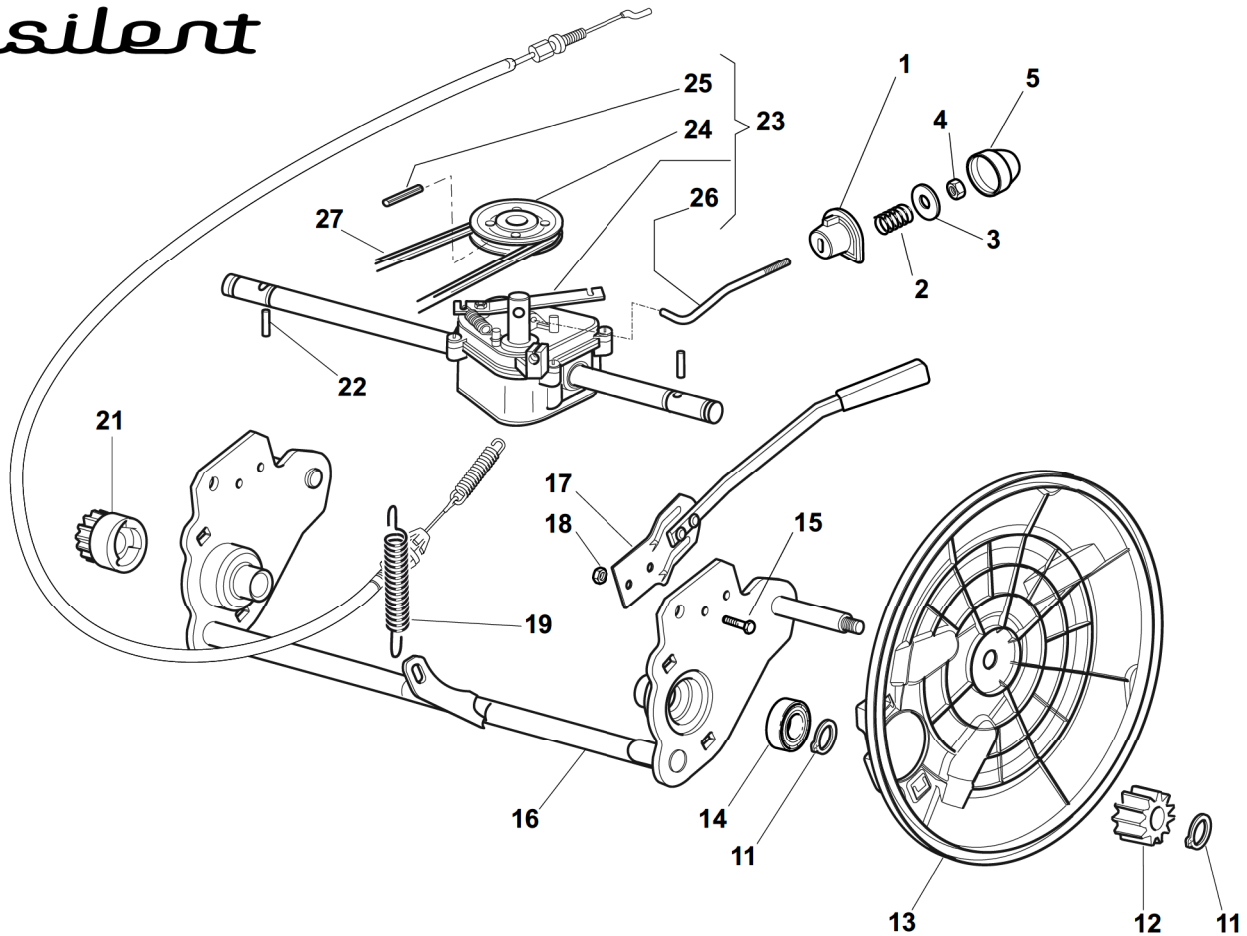


2009

81_014

1 / 1

silent



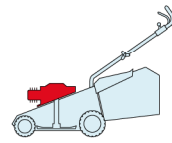
POS.	CODE	Q.TY	DESCRIZIONE	DESCRIPTION	DESCRIPTION	BESCHREIBUNG	REMARKS
1	22041957/1	1	Bussola	Bush	Douille	Buchse	
2	22450063/0	1	Molla	Spring	Ressort	Feder	
3	22680009/0	1	Rosetta	Washer	Rondelle	Scheibe	
4	12154510/0	1	Dado	Nut	Ecrou	Mutter	
5	22110230/0	1	Tappo	Cap	Bouchon	Gummistopfen	
11	12608600/0	4	Seeger	Seeger	Seeger	Seeger	
12	22570110/1	1	Pignone Dx	Pinion R	Pignon D	Ritzel Rechtes	
13	22600160/0	2	Prot. Ruote	Protection, Wheel	Protection Roue	Schütz	
14	19216035/0	2	Cuscinetto	Bearing	Coussinet	Lager	
15	12789000/0	2	Vite	Screw	Vis	Schraube	
16	381002853/2	1	Asse Ruote Posteriori	Axle, Rear Wheels	Axe Roues Arriere	Achse, Hinterrad	
17	381003329/0	1	Leva Regolazione Altezza	Lever, Height Adjustment	Levier Reglage Hauteur	Hebel, Höhenverstellung	
18	12154330/0	2	Dado	Nut	Ecrou	Mutter	
19	122450454/0	1	Molla	Spring	Ressort	Feder	
21	22570120/1	1	Pignone Sx	Pinion L	Pignon G	Ritzel Linkes	
22	22753000/0	2	Spina	Pin	Goupille	Stift	
23	81003092/0	1	Gruppo Trazione	Gear Box	Groupe Traction	Antrieb	(General Transmission)
24	22601904/0	1	Puleggia	Pulley	Poulie	Riemenscheibe	
25	12645705/0	1	Spina	Pin	Goupille	Stift	
26	22033283/0	1	Asta Regolazione	Adjustment Rod	Tige Reglage	Verstellungstange	(General Transmission)
27	35063902/0	1	Cinghia Z 29.5	Belt Z 29.5	Courroie Z 29.5	Riemen Z 29.5	

CAL 534

TR SIL

TR 4S SIL

W TR SIL

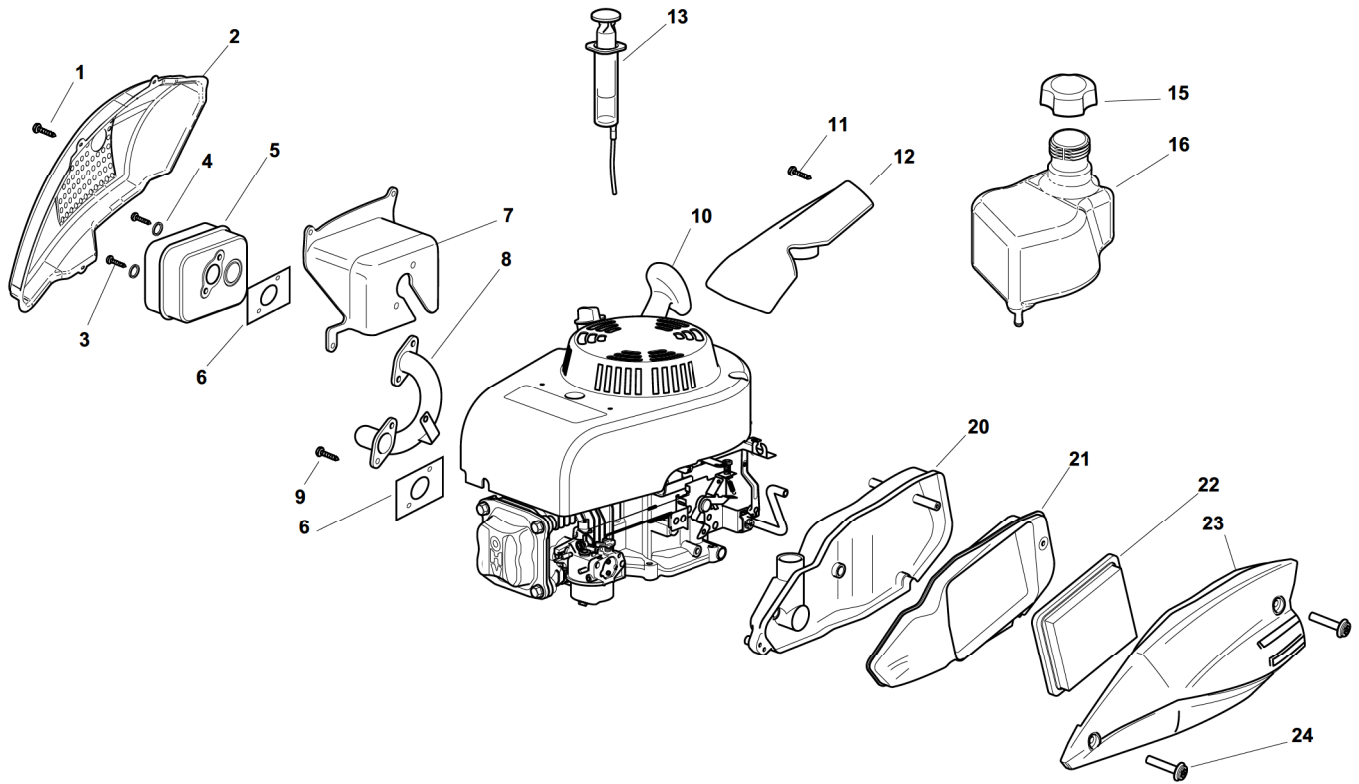


2009

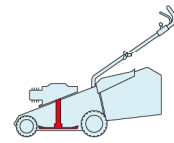
81_016

1 / 1

silent



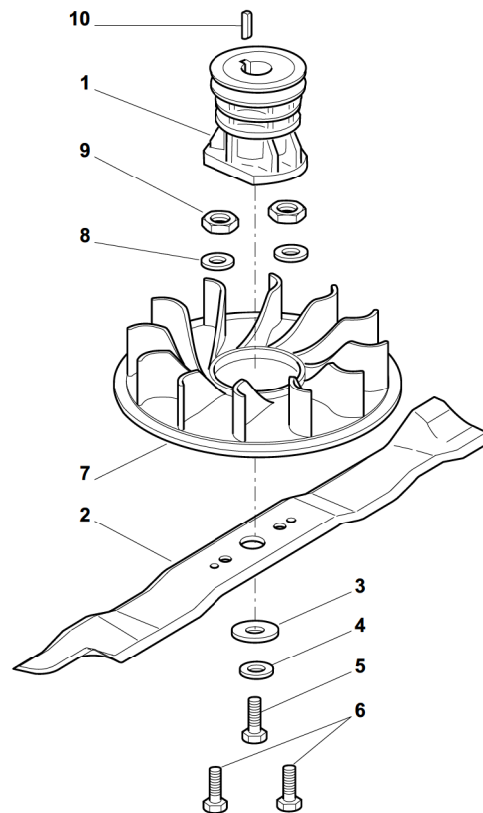
POS.	CODE	Q.TY	DESCRIZIONE	DESCRIPTION	DESCRIPTION	BESCHREIBUNG	REMARKS
1	12735111/0	3	Vite	Screw	Vis	Schraube	
2	322601007/0	1	Protezione Silenziatore	Muffler Protection	Protection Silencieux	Auspuffschutz	
3	112689590/0	2	Vite	Screw	Vis	Schraube	
4	12582100/0	2	Rosetta	Washer	Rondelle	Scheibe	
5	118550269/0	1	Silenziatore	Muffler	Silencieux	Schalldämpfer	
6	118550270/0	2	Guarnizione Silenziatore	Gasket, Muffler	Garniture Silencieux	Schalldämpferdichtung	
7	381750101/0	1	Protezione	Guard	Protection	Schutze	
8	118738233/0	1	Tubo Scarico	Exhaust Tube	Tube Echappement	Abgasungrohr	
9	12735599/0	3	Vite	Screw	Vis	Schraube	
10	118550410/0	1	Motore	Engine	Moteur	Motor	
11	12728700/0	2	Vite	Screw	Vis	Schraube	
12	322785269/0	1	Coperchio	Cover	Couvercle	Deckel	
13	18718000/0	1	Siringa	Syringe	Seringue	Spritze	
15	27790000/1	1	Tappo Serbatoio	Cap	Bouchon	Tankverschluss	
16	322735150/0	1	Serbatoio	Tank	Reservoir	Tank	
20	322785268/0	1	Base Filtro Aria	Air Cleaner Base	Base Filtre Air	Luftfilterbasis	
21	322785267/0	1	Coperchio	Cover	Couvercle	Deckel	
22	118550257/0	1	Elemento Filtrante	Air Filter	Element Filtrant	Filterelement	
23	322109744/0	1	Coperchio Filtro Aria	Air Cleaner Cover	Couvercle Filtre Air	Luftfilterdeckel	
24	381004362/0	2	Vite	Screw	Vis	Schraube	

CAL 534**TR SIL****TR 4S SIL****W TR SIL**

2009

81_017

1 / 1

silent

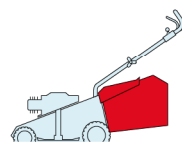
POS.	CODE	Q.TY	DESCRIZIONE	DESCRIPTION	DESCRIPTION	BESCHREIBUNG	REMARKS
1	22465607/2	1	Mozzo Con Puleggia, Albero Motore Ø 22.2	Hub With Pulley, Crankshaft Ø 22.2	Moyeu Avec Poulie, Arbre Moteur Ø 22.2	Nabe Mit Scheibe, Motorwelle Ø 22.2	
2	181004394/0	1	Coltello	Blade	Lame	Messer	
3	22160400/0	1	Disco Elastico	Elastic Washer	Rondelle Elastique	Elastischescheibe	
4	12523080/0	1	Rosetta	Washer	Rondelle	Scheibe	
5	12735698/0	1	Vite	Screw	Vis	Schraube	
6	12791400/0	2	Vite	Screw	Vis	Schraube	
7	322465634/0	1	Mozzo Girante	Hub Fan	Moyeu Ventilateur	Läufendenabe	
8	12521330/0	2	Rosetta	Washer	Rondelle	Scheibe	
9	12154510/0	2	Dado	Nut	Ecrou	Mutter	
10	12139100/0	1	Linguetta, Albero Motore Ø 22.2	Feather, Crankshaft Ø 22.2	Clavette, Arbre Moteur Ø 22.2	Keil, Motorwelle Ø 22.2	

CAL 534

TR SIL

TR 4S SIL

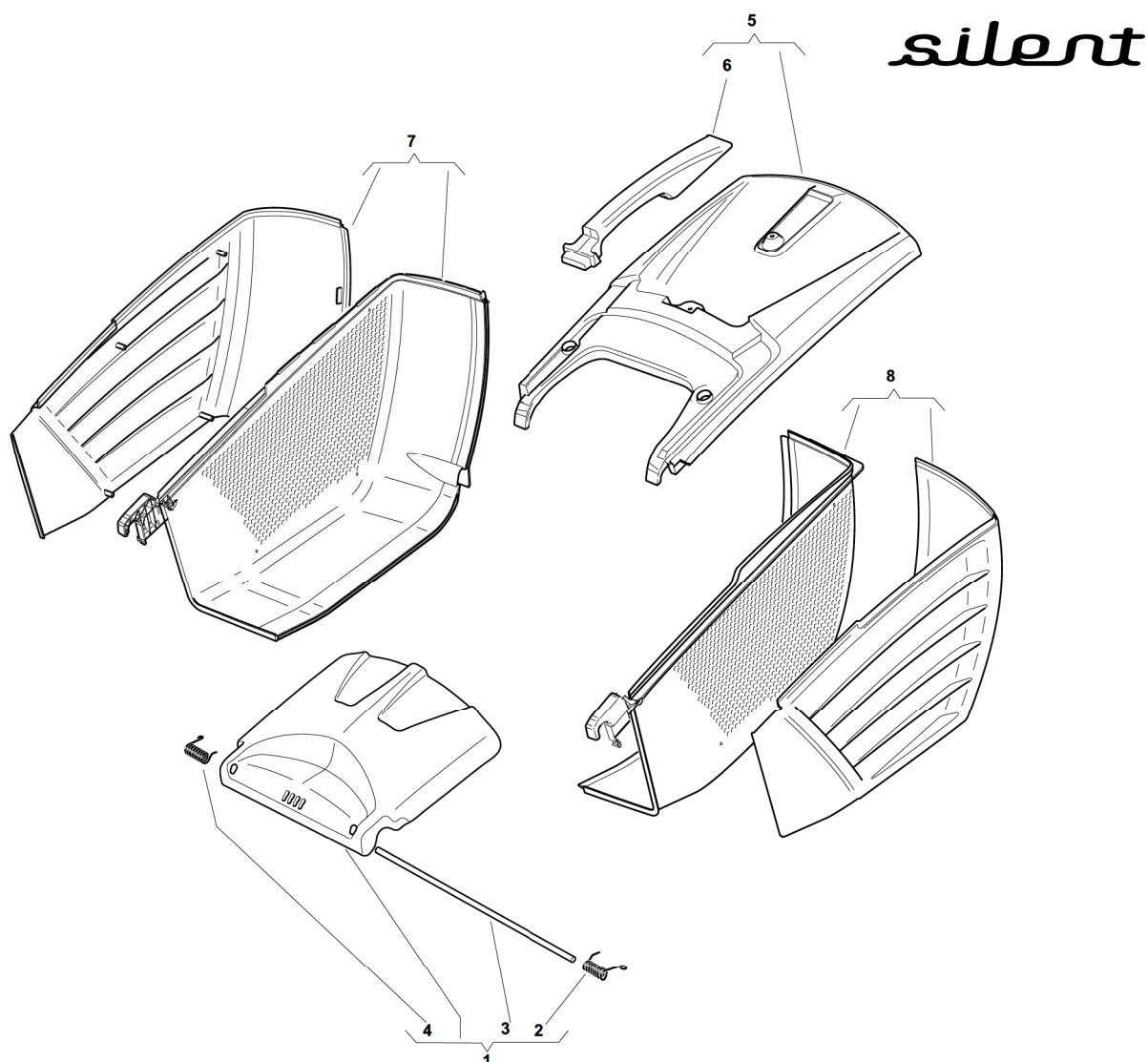
W TR SIL



2009

81_018

1 / 1



POS.	CODE	Q.TY	DESCRIZIONE	DESCRIPTION	DESCRIPTION	BESCHREIBUNG	REMARKS
1	381008072/0	1	Parasassi, Grigio	Stone-Guard, Grey	Pare-Pierres, Gris	Prallblech, Grau	
1	381008073/0	1	Parasassi, Nero	Stone-Guard, Black	Pare-Pierres, Noir	Prallblech, Grau	
2	122450451/0	1	Molla Sx	L Spring	Ressort G	Linke Feder	
3	122517862/0	1	Perno	Pin	Pivot	Bolzen	
4	122450450/0	1	Molla Dx	R Spring	Ressort D	Rechte Feder	
5	381486000/0	1	Sacco, Parte Sup. Grigio	Grass-Box, Upper Part Grey	Sac, Partie Sup. Gris	Korb, Oberteil, Grau	
5	381486001/0	1	Sacco, Parte Sup. Nero	Grass-Box, Upper Part Black	Sac, Partie Sup. Noir	Korb, Oberteil, Schwarz	
6	322393623/0	1	Maniglia, Grigio	Handle, Grey	Poignee, Gris	Griff, Grau	
6	322393630/0	1	Maniglia, Nero	Handle, Black	Poignee, Noir	Griff, Schwarz	
7	381486002/0	1	Parte Infer. Sacco Dx - Grigio	Right, Grassbox Lower Part - Grey	Sac, Partie Inferieure Droite - Gris	Korb Unterteil (R) - Grau	
7	381486003/0	1	Parte Infer. Sacco Dx - Nero	Right, Grassbox Lower Part - Black	Sac, Partie Inferieure Droite - Noir	Korb Unterteil (R) - Schwarz	
8	381486004/0	1	Parte Infer. Sacco Sx - Grigio	Left, Grassbox Lower Part - Grey	Sac, Partie Inferieure Gauche - Gris	Korb Unterteil (L) - Grau	
8	381486005/0	1	Parte Infer. Sacco Sx - Nero	Left, Grassbox Lower Part - Black	Sac, Partie Inferieure Gauche - Noir	Korb Unterteil (L) - Schwarz	