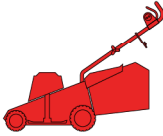
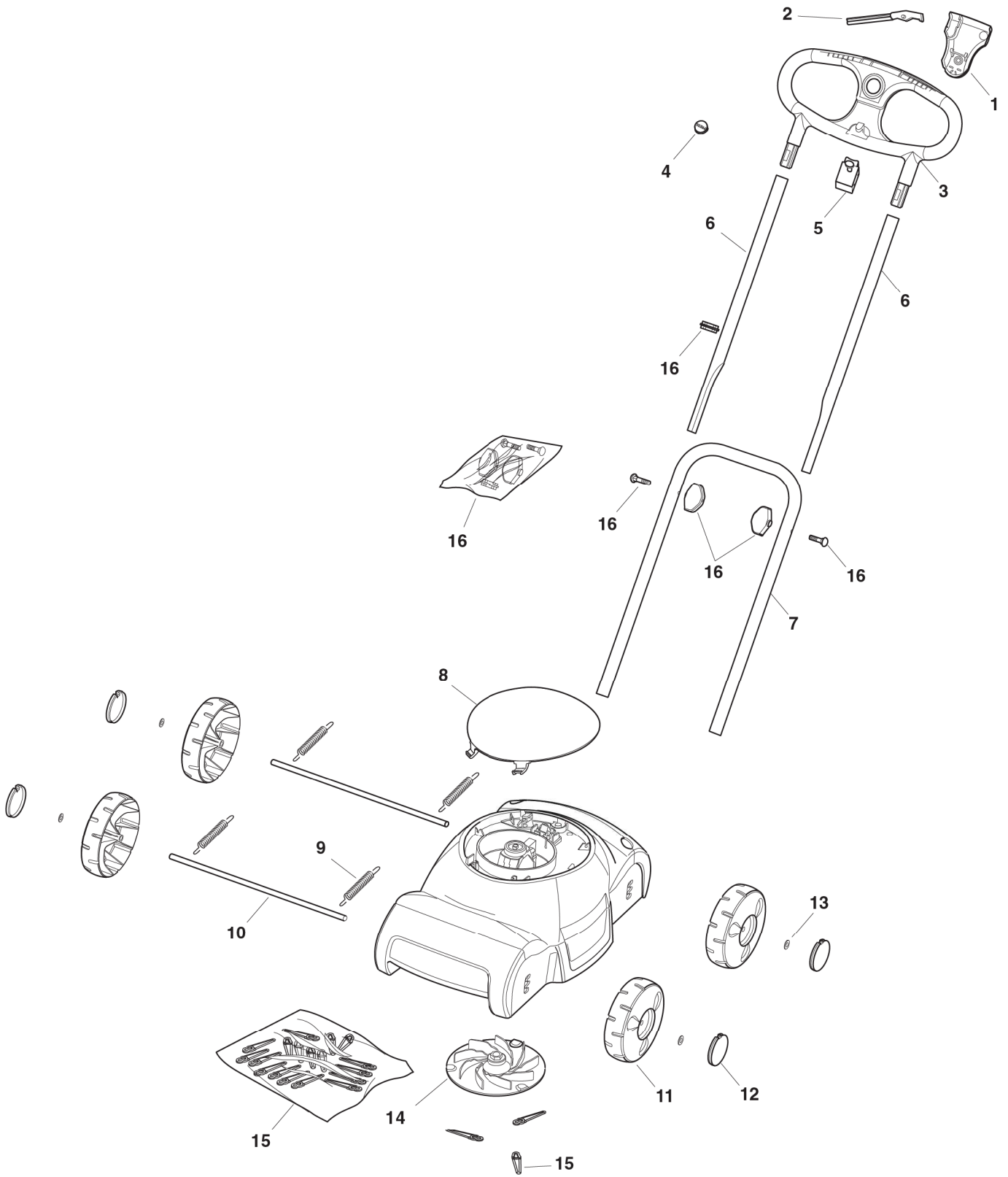


D 310



2008
111.0
1 / 2



POS.	CODE	Q.Q.TY	DESCRIZIONE	DESCRIPTION	DESCRIPTION	BESCHREIBUNG	REMARKS
1	22109534/0	1	COPERCHIO INTERRU- TORE	SWITCH COVER	INTERRUPTER CAPOT	SCHALTER HAUBE	
2	22321704/0	1	LEVA INTERRUETTORE	SWITCH LEVER	LEVIER COMMANDE INTER.	SCHALTERHEBEL	
3	22291040/0	1	IMPUGNATURA	HAND GRIP	POIGNÉE	HANDGRIPP	
4	22601085/0	1	CAPPUCCIO	PROTECTION	CAPUCHON	STECKER	
5	18450069/0	1	INTERRUPTORE	SWITCH	INTERRUPTER	SCHALTER	
6	81006606/0	2	MANICO SUPERIORE	HANDLE, UPPER PART	MANCHERON SUPE- RIEURE	HOLM, OBERTEIL	
7	81006605/0	1	MANICO INFERIORE	HANDLE, LOWER PART	MANCHERON INFERIURE	HOLM, UNTERTEIL	
8	22055089/0	1	CAPOTTINA	COVER	CAPOT	HAUBE	
9	22430320/0	4	MOLLA	SPRING	RESSORT	FEDER	
10	22033371/0	2	ASSE RUOTE	WHEELS AXLE	AXE ROUES	RADACHSE	
11	22686088/0	4	RUOTA	WHEEL	ROUE	RAD	
12	22110359/0	4	COPRIMOZZO	HUB CAP	COUVRE-MOYEU	RADKAPPE	
13	12604899/0	4	FISSATORE A CORONA	CROWN FASTNER	FIXATEUR A COURONNE	KRONESCHEIBE	
14	81245000/0	1	GIRANTE COLTELLI	HUB	MOYEU	HALTER	
15	81008655/1	1	DOTAZIONE LAME (18)	OUTFIT, BLADES (18)	DOTATION LAME (18)	SATZ, MESSER (18)	
16	81008656/0	1	DOTAZIONE VITERIA	OUTFIT, SCREWS	DOTATION VISSERIE	SATZ, SCHRAUBEN	