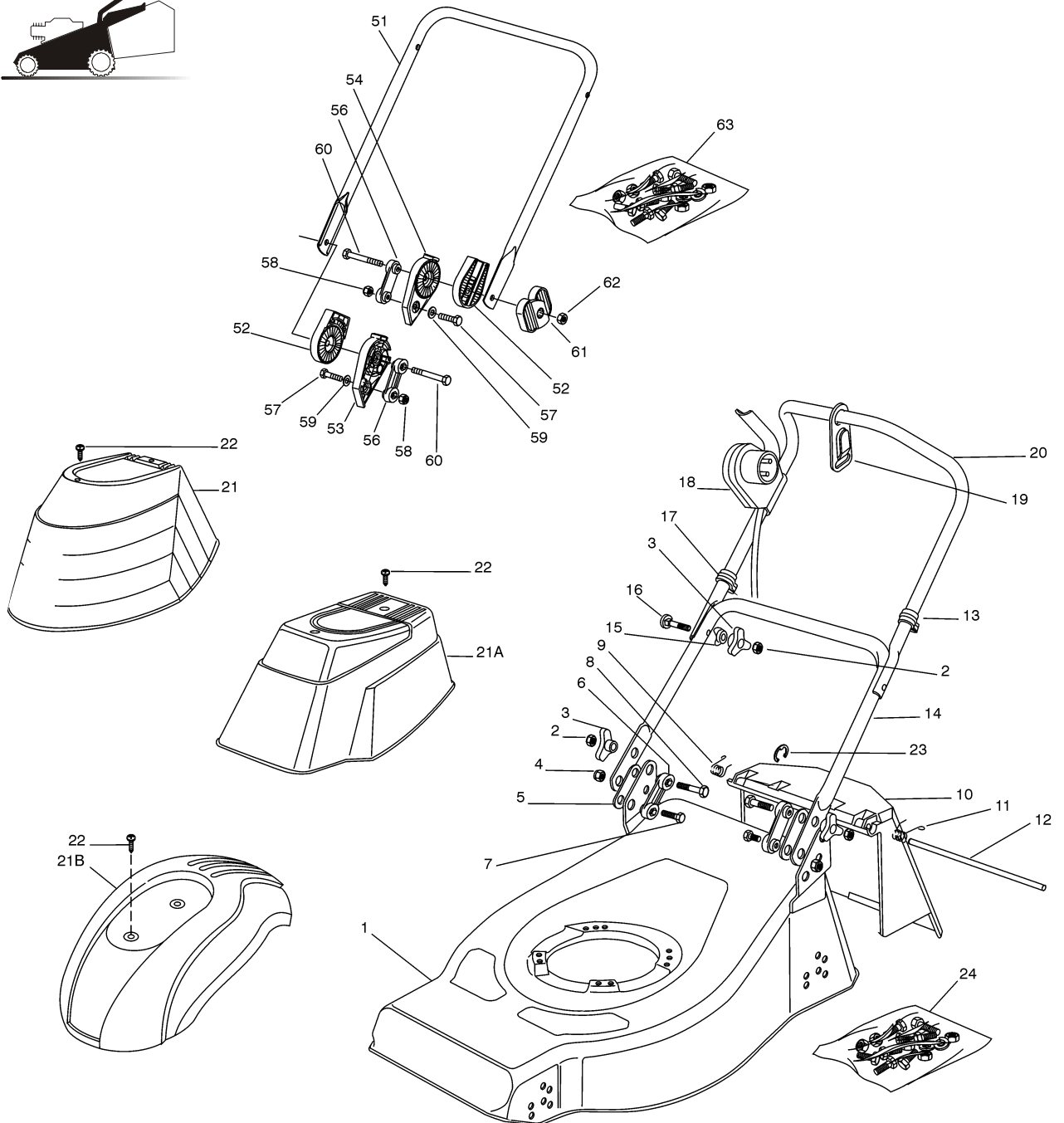


01D_R430



| Pos. | Code | Q.ty | Descrizione | Description | Description | Beshreibung | Remarks |
|------|------------|------|-------------------|----------------|-------------------|----------------|-------------------|
| 1 | 81000988/1 | 1 | CHASSIS GIALLO | DECK YELLOW | CHÂSSIS JAUNE | GEHÄUSE GELB | (R 430 - R 430 S) |
| - | 81000950/1 | 1 | CHASSIS ROSSO | DECK RED | CHÂSSIS ROUGE | GEHÄUSE ROT | (R 430 - R430 S) |
| - | 81001542/1 | 1 | CHASSIS VERDE | DECK GREEN | CHÂSSIS VERT | GEHÄUSE GRÜN | (R 430 - R430 S) |
| - | 81000991/0 | 1 | CHASSIS GIALLO | DECK YELLOW | CHÂSSIS JAUNE | GEHÄUSE GELB | (R 480) |
| - | 81000952/0 | 1 | CHASSIS ROSSO | DECK RED | CHÂSSIS ROUGE | GEHÄUSE ROT | (R 480) |
| - | 81001543/0 | 1 | CHASSIS VERDE | DECK GREEN | CHÂSSIS VERT | GEHÄUSE GRÜN | (R 480) |
| 2 | 12293200/0 | 4 | DADO | NUT | ECROU | MUTTER | |
| 3 | 22399900/0 | 4 | MANOPOLINA | KNOB | POIGNÉE | GRIFF | |
| 4 | 12155000/0 | 2 | DADO | NUT | ECROU | MUTTER | |
| 5 | 22551574/0 | 2 | PIASTRINA ESTERNA | PLATE, OUTSIDE | PLAQUETTE EXTERNE | PLATTE, ÄUßERE | |
| 6 | 22551575/0 | 2 | PIASTRINA INTERNA | PLATE, INSIDE | PLAQUETTE INTERNE | PLATTE, INNERE | |

GLOBAL GARDEN PRODUCTS

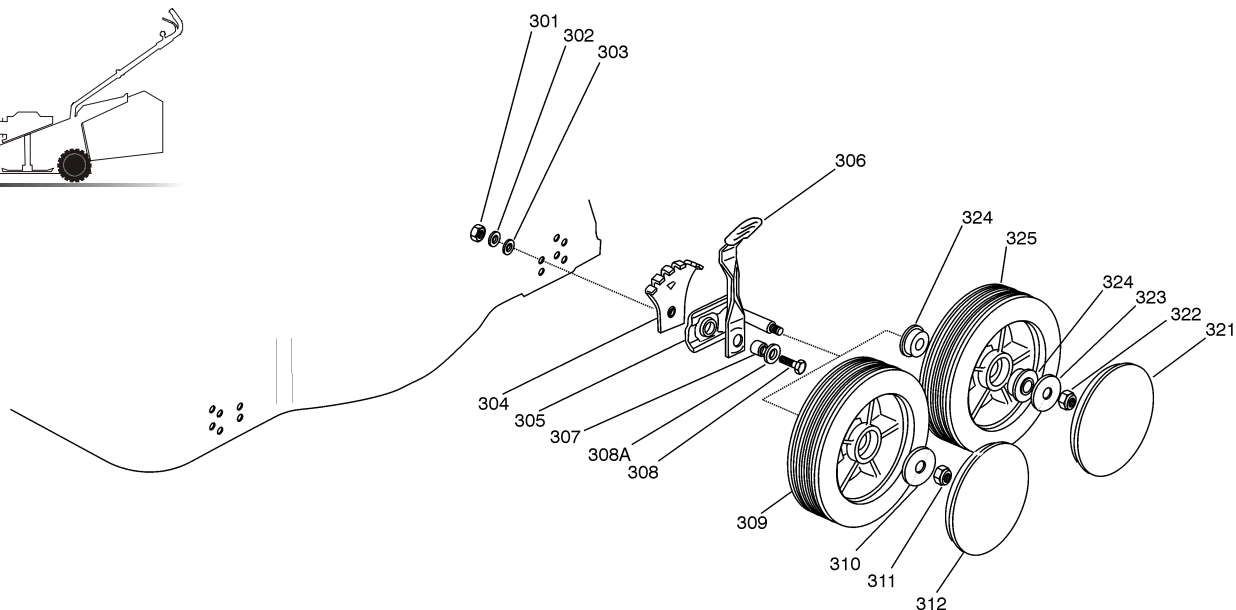
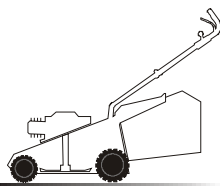
| Pos. | Code | Q.ty | Descrizione | Description | Description | Beshreibung | Remarks |
|------|------------|------|---------------------|--------------------|------------------------------|------------------|-------------------|
| 7 | 12793300/0 | 2 | VITE | SCREW | VIS | SCHRAUBE | |
| 8 | 12691115/0 | 2 | VITE | SCREW | VIS | SCHRAUBE | |
| 9 | 22450410/1 | 1 | MOLLA DX | R SPRING | RESSORT D | RECHTE FEDER | |
| 10 | 22600028/4 | 1 | PARASASSI | STONE-GUARD | PARE-PIERRES | PRALLBLECH | |
| 11 | 22450420/1 | 1 | MOLLA SX | L SPRING | RESSORT G | LINKE FEDER | |
| 12 | 22517906/1 | 1 | PERNO | PIN | PIVOT | BOLZEN | |
| 13 | 22192151/0 | 1 | FERMACAVO | FAIRLEAD | FIXATION CABLE | KABELBEFESTIGUNG | |
| 14 | 81006512/0 | 1 | MANICO, PARTE INF | HANDLE, LOWER PART | MANCHERON, PARTIE INFERIEURE | HOLM, UNTERTEIL | |
| 15 | 22680006/1 | 2 | ROSETTA | WASHER | RONDELLE | SCHEIBE | |
| 16 | 12819201/0 | 2 | VITE | SCREW | VIS | SCHRAUBE | |
| 17 | 22192000/1 | 2 | FASCETTA ANCORAGGIO | ANCHOR CLAMP | COLLIER ANCRAGE | BOWDENZUGHALTER | |
| 18 | - | 1 | SALVAMOTORE | DEAD HAND SWITCH | INT. MAIN MORTE | TOT MANSCHALTER | (SEE ENCLOSURE 2) |
| 19 | 22195101/3 | 1 | FERMACAVO | FAIRLEAD | FIXATION CABLE | KABELBEFESTIGUNG | |
| 20 | 81007017/2 | 1 | MANICO, PARTE SUP | HANDLE, UPPER PART | MANCHERON, PARTIE SUPERIEURE | HOLM, OBERTEIL | |
| 21 | 22055033/1 | 1 | CAPOTTINA | COVER | CAPOT | HAUBE | |
| 21A | 22055045/1 | 1 | CAPOTTINA | COVER | CAPOT | HAUBE | |
| 21B | 22055065/0 | 1 | CAPOTTINA | COVER | CAPOT | HAUBE | |
| 22 | 12728680/0 | 2 | VITE | SCREW | VIS | SCHRAUBE | |
| 23 | 12000930/0 | 1 | ANELLO ELASTICO | SNAP RING | ANNEAU RESSORT | SPRENGRING | |
| 24 | 81008596/1 | 1 | DOTAZIONE VITERIA | OUTFIT, SCREWS | DOTATION VISSERIE | SATZ, SCHRAUBEN | |

VARIANTE REGOLAZIONE MANICO - HANDLE ADJUSTMENT MODIFICATION - MODIFICATION REGLAGE POIGNEE - ÄNDERUNG GRIFFENSTEEL

| Pos. | Code | Q.ty | Descrizione | Description | Description | Beshreibung | Remarks |
|------|------------|------|---------------------|---------------------|------------------------------|------------------|---------|
| 51 | 81006532/0 | 1 | MANICO, PARTE INF | HANDLE, LOWER PART | MANCHERON, PARTIE INFERIEURE | HOLM, UNTERTEIL | |
| 52 | 22785081/1 | 2 | SUPPORTO ESTERNO | SUPPORT, EXTERNAL | SUPPORT EXTERNE | HALTER, AUßERE | |
| 53 | 22785082/0 | 1 | SUPPORTO INTERNO DX | SUPPORT, R INTERNAL | SUPPORT INTERNE D | HALTER, INNERE R | |
| 54 | 22785083/1 | 1 | SUPPORTO INTERNO SX | SUPPORT, L INTERNAL | SUPPORT INTERNE G | HALTER, INNERE L | |
| 56 | 22551575/0 | 2 | PIASTRINA INTERNA | PLATE, INSIDE | PLAQUETTE INTERNE | PLATTE, INNERE | |
| 57 | 12793701/0 | 2 | VITE | SCREW | VIS | SCHRAUBE | |
| 58 | 12155000/0 | 2 | DADO | NUT | ECROU | MUTTER | |
| 59 | 12521350/0 | 2 | ROSETTA | WASHER | RONDELLE | SCHEIBE | |
| 60 | 12691810/0 | 2 | VITE | SCREW | VIS | SCHRAUBE | |
| 61 | 22399803/0 | 2 | MANOPOLINA | KNOB | POIGNÉE | GRIFF | |
| 62 | 12293202/0 | 2 | DADO | NUT | ECROU | MUTTER | |
| 63 | 81008622/0 | 1 | DOTAZIONE VITERIA | OUTFIT, SCREWS | DOTATION VISSERIE | SATZ, SCHRAUBEN | |

2

02D_001

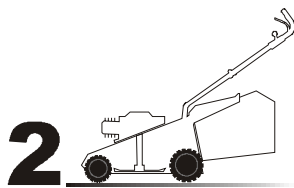


VARIANTI RUOTE Ø 170 SU BOCCOLE - WHEEL Ø 170 MODIFICATIONS ON BUSHES - MODIFICATIONS ROUES Ø 170 SUR DOUILLES - ÄNDERUNGEN AUF RÄDER Ø 170 MIT BÜCHSE

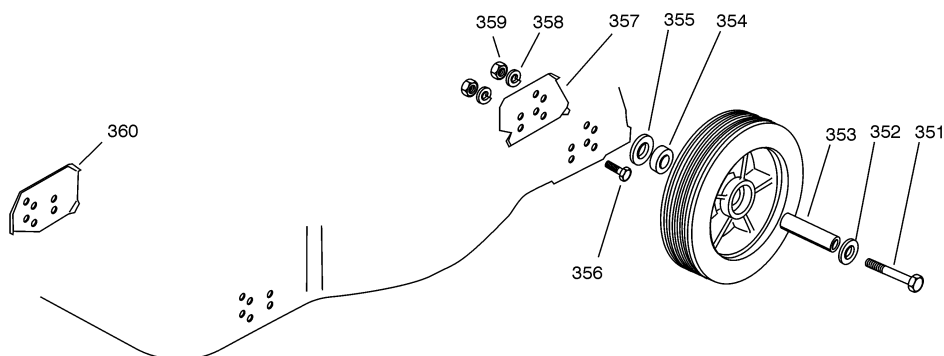
| Pos. | Code | Q.ty | Descrizione | Description | Description | Beshreibung | Remarks |
|------|------------|------|-------------------|----------------|--------------------|----------------|---------|
| 321 | 22110262/0 | 4 | COPRIMOZZO BIANCO | HUB CAP WHITE | COUVRE-MOYEU BLANC | RADKAPPE WEIßE | |
| - | 22110263/0 | 4 | COPRIMOZZO GIALLO | HUB CAP YELLOW | COUVRE-MOYEU JAUNE | RADKAPPE GELBE | |
| - | 22110264/0 | 4 | COPRIMOZZO ROSSO | HUB CAP RED | COUVRE-MOYEU ROUGE | RADKAPPE ROTE | |
| 322 | 12155000/0 | 4 | DADO | NUT | ECROU | MUTTER | |
| 323 | 12523060/0 | 4 | ROSETTA | WASHER | RONDELLE | SCHEIBE | |
| 324 | 22034508/0 | 8 | BUSSOLA | BUSH | DOUILLE | BÜCHSE | |
| 325 | 81007326/0 | 4 | RUOTA Ø 170 | WHEEL Ø 170 | ROUE Ø 170 | RAD. Ø 170 | |

VARIANTI RUOTE - WHEEL MODIFICATIONS - MODIFICATIONS ROUESILLES - ÄNDERUNGEN AUF RÄDER

| Pos. | Code | Q.ty | Descrizione | Description | Description | Beshreibung | Remarks |
|------|------------|------|-----------------------------|---------------------------|-------------------------|-------------------------|---------|
| 301 | 12293200/0 | 4 | DADO | NUT | ECROU | MUTTER | |
| 302 | 12583500/0 | 4 | GROWER | GROWER | GROWER | FEDERRING | |
| 303 | 12523070/0 | 4 | ROSETTA | WASHER | RONDELLE | SCHEIBE | |
| 304 | 22735547/0 | 4 | SETTORE REGOLAZIONE ALTEZZA | SECTOR, HEIGHT ADJUSTMENT | SECTEUR REGLAGE HAUTEUR | SEKTOR, HÖHEVERSTELLUNG | |
| 305 | 81005082/0 | 4 | SUPPORTO RUOTA | SUPPORT, WHEEL | SUPPORT ROUE | HALTER, RAD | |
| 306 | 81003285/1 | 4 | LEVA REGOLAZIONE ALTEZZA | LEVER, HEIGHT ADJUSTMENT | LEVIER REGLAGE HAUTEUR | HEBEL, HÖNEVERSTELLUNG | |
| 307 | 22171001/0 | 4 | DISTANZIALE | SPACER | ENTRETOISE | DISTANZRING | |
| 308 | 12793701/0 | 4 | VITE | SCREW | VIS | SCHRAUBE | |
| 308A | 12521350/0 | 4 | ROSETTA | WASHER | RONDELLE | SCHEIBE | |
| 309 | 81007325/0 | 4 | RUOTA Ø 170 | WHEEL Ø 170 | ROUE Ø 170 | RAD. Ø 170 | |
| 310 | 12523060/0 | 4 | ROSETTA | WASHER | RONDELLE | SCHEIBE | |
| 311 | 12293201/0 | 4 | DADO | NUT | ECROU | MUTTER | |
| 312 | 22110262/0 | 4 | COPRIMOZZO BIANCO | HUB CAP WHITE | COUVRE-MOYEU BLANC | RADKAPPE WEIßE | |
| 313 | 22110263/0 | 4 | COPRIMOZZO GIALLO | HUB CAP YELLOW | COUVRE-MOYEU JAUNE | RADKAPPE GELBE | |
| 314 | 22110264/0 | 4 | COPRIMOZZO ROSSO | HUB CAP RED | COUVRE-MOYEU ROUGE | RADKAPPE ROTE | |

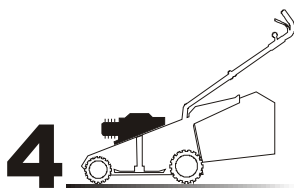


02D_002

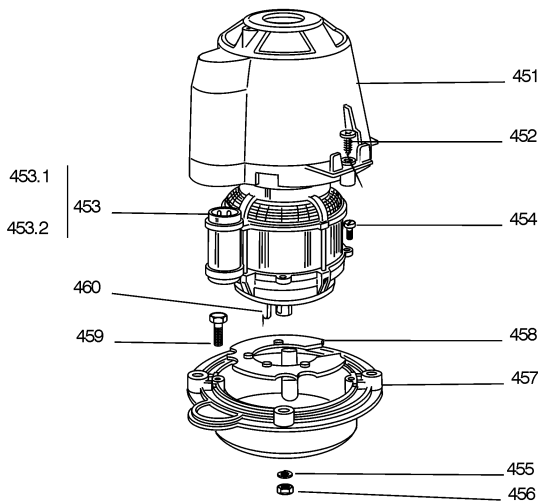


VARIANTE REGOLAZIONE RUOTE - WHEEL ADJUSTMENT MODIFICATION - MODIFICATION REGLAGE ROUES - ÄNDERUNG RADEINSTELL

| Pos. | Code | Q.ty | Descrizione | Description | Description | Beshreibung | Remarks |
|------|------------|------|--------------------|--------------|--------------------|----------------|---------|
| 351 | 12691900/0 | 4 | VITE | SCREW | VIS | SCHRAUBE | |
| 352 | 12523060/0 | 4 | ROSETTA | WASHER | RONDELLE | SCHEIBE | |
| 353 | 22869650/0 | 4 | TUBO PER RUOTA | WHEEL TUBE | TUBE POUR ROUE | ROHR FÜR RAD | |
| 354 | 22172420/0 | 4 | DISTANZIALE | SPACER | ENTRETOISE | DISTANZRING | |
| 355 | 12523070/0 | 4 | ROSETTA | WASHER | RONDELLE | SCHEIBE | |
| 356 | 12792611/0 | 4 | VITE | SCREW | VIS | SCHRAUBE | |
| 357 | 22551513/0 | 2 | PIASTRA POSTERIORE | PLATE, BACK | PLAQUE POSTÉRIEURE | PLATTE, HINTER | |
| 358 | 12583500/0 | 8 | GROWER | GROWER | GROWER | FEDERRING | |
| 359 | 12293200/0 | 8 | DADO | NUT | ECROU | MUTTER | |
| 360 | 22551511/0 | 2 | PIASTRA ANTERIORE | PLATE, FRONT | PLAQUE ANTÉRIEURE | PLATTE, VORDER | |



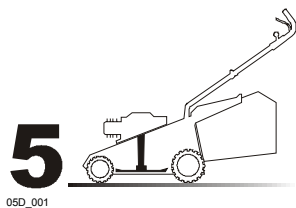
04D_001



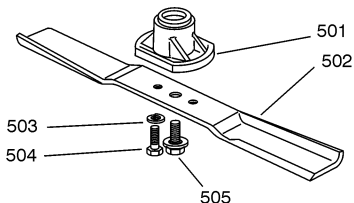
| Pos. | Code | Q.ty | Descrizione | Description | Description | Beshreibung | Remarks |
|-------|------------|------|------------------------|-----------------|------------------------|-------------------|--------------|
| 451 | 22785061/0 | 1 | SUPPORTO CAPOTTINA | SUPPORT, COVER | SUPPORT CAPOT | HALTER, HAUBE | |
| 452 | 12728710/0 | 4 | VITE | SCREW | VIS | SCHRAUBE | |
| 453 | 18563605/0 | 1 | MOTORE ATB | MOTOR ATB | MOTEUR ATB | MOTOR ATB | 230V (1600W) |
| - | 18563009/0 | 1 | MOTORE RST | MOTOR RST | MOTEUR RST | MOTOR RST | 230V (1600W) |
| - | 18563607/0 | 1 | MOTORE ATB | MOTOR ATB | MOTEUR ATB | MOTOR ATB | 240V (1600W) |
| 453.1 | 18740054/0 | 1 | VENTOLA PER MOTORE ATB | FAN MOTOR ATB | VENTILATEUR MOTEUR ATB | LÜFTER MOTOR ATB | |
| - | 18740051/0 | 1 | VENTOLA PER MOTORE RST | FAN MOTOR RST | VENTILATEUR MOTEUR RST | LÜFTER MOTOR RST | |
| 453.2 | 18222045/0 | 1 | CONDENSATORE 16 µF | CONDENSER 16 µF | CONDENSEUR 16 µF | KONDENSATOR 16 µF | (ATB) |
| - | 18222038/0 | 1 | CONDENSATORE 20 µF | CONDENSER 20 µF | CONDENSEUR 20 µF | KONDENSATOR 20 µF | (RST) |
| 454 | 12735410/0 | 4 | VITE | SCREW | VIS | SCHRAUBE | |
| 455 | 12583500/0 | 4 | GROWER | GROWER | GROWER | FEDERRING | |

GLOBAL GARDEN PRODUCTS

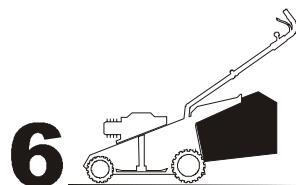
| Pos. | Code | Q.ty | Descrizione | Description | Description | Beshreibung | Remarks |
|------|------------|------|----------------------|--------------------|-------------------|----------------|---------|
| 456 | 12293200/0 | 4 | DADO | NUT | ECROU | MUTTER | |
| 457 | 22207211/3 | 1 | FLANGIA | FLANGE | BRIDE | FLANSCH | |
| 458 | 22720360/1 | 1 | SCHERMO VENTILAZIONE | VENTILATION SCREEN | ECRAN VENTILATION | LÜFTUNGSSCHIRM | |
| 459 | 12793700/0 | 4 | VITE | SCREW | VIS | SCHRAUBE | |
| 460 | 12139440/0 | 1 | LINGUETTA | FEATHER | CLAVETTE | KEIL | |



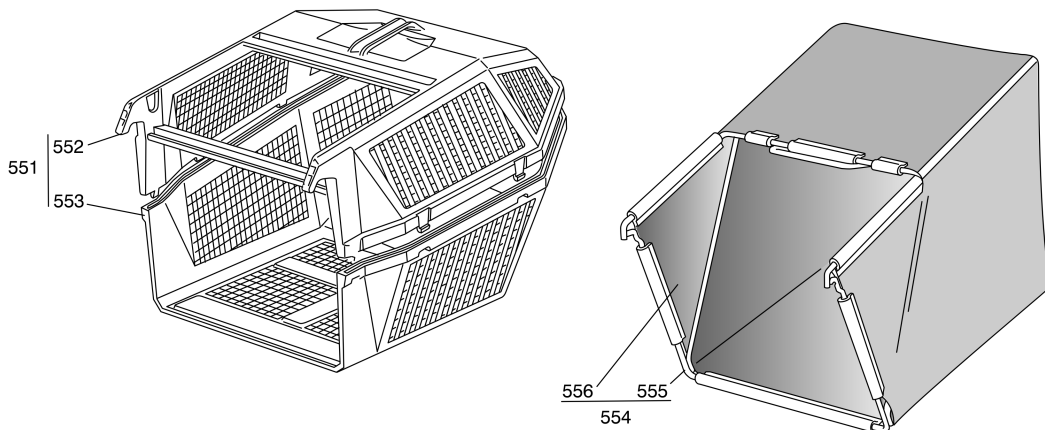
05D_001



| Pos. | Code | Q.ty | Descrizione | Description | Description | Beshreibung | Remarks |
|------|------------|------|-------------------|----------------|---------------|-----------------|---------|
| 501 | 22463186/2 | 1 | MOZZO | HUB | MOYEU | HALTER | |
| 502 | 81004396/0 | 1 | COLTELLO ALETTATO | BLADE WINGED | LAME AILETTÉE | MESSER FLÜGEL | (41 cm) |
| - | 81004341/3 | 1 | COLTELLO STANDARD | BLADE STANDARD | LAME STANDARD | MESSER STANDARD | (41 cm) |
| - | 81004397/0 | 1 | COLTELLO ALETTATO | BLADE WINGED | LAME AILETTÉE | MESSER FLÜGEL | (46 cm) |
| - | 81004346/3 | 1 | COLTELLO STANDARD | BLADE STANDARD | LAME STANDARD | MESSER STANDARD | (46 cm) |
| 503 | 12583500/0 | 2 | GROWER | GROWER | GROWER | FEDERRING | |
| 504 | 12793101/0 | 2 | VITE | SCREW | VIS | SCHRAUBE | |
| 505 | 81004352/0 | 1 | VITE | SCREW | VIS | SCHRAUBE | |



06D_001



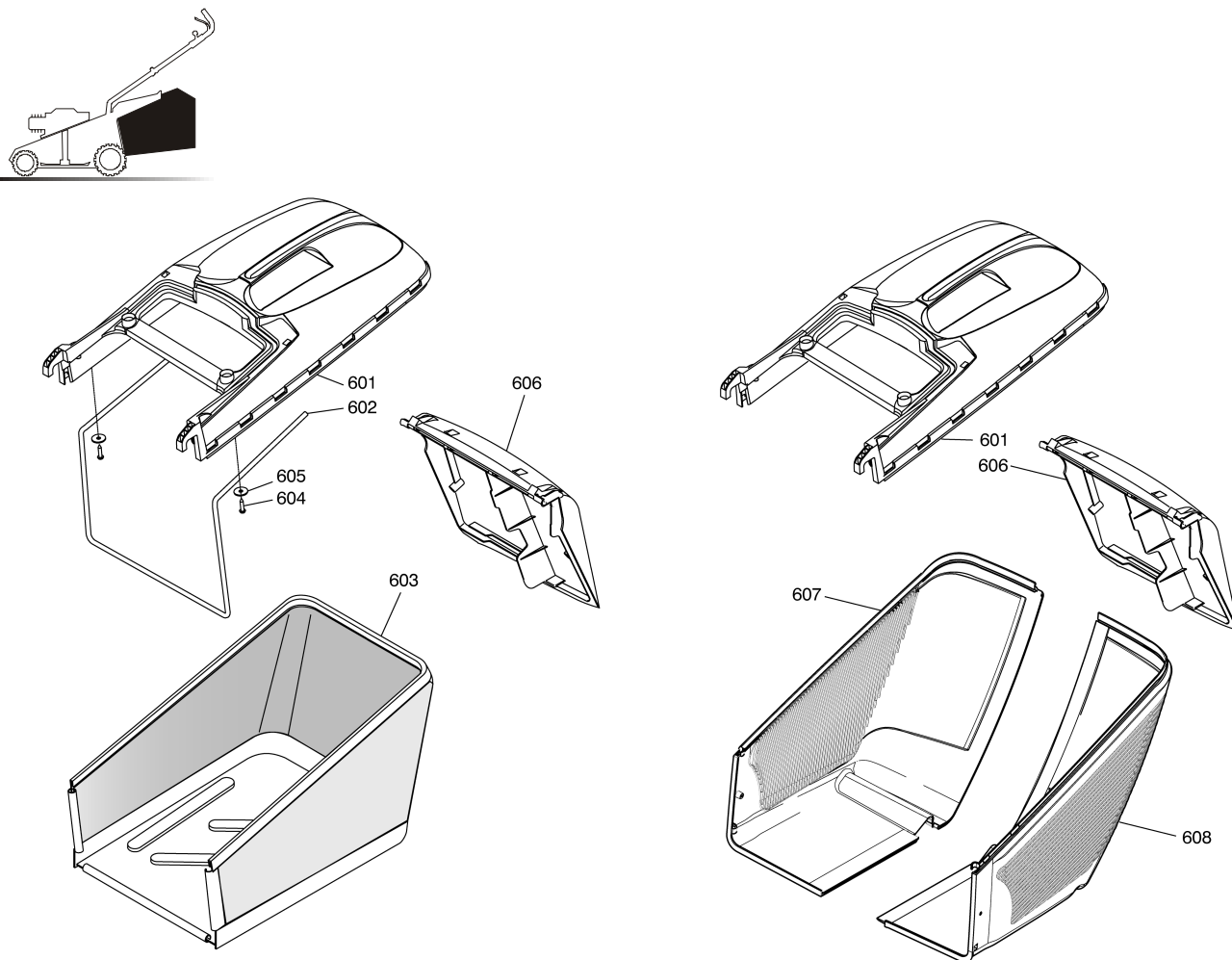
| Pos. | Code | Q.ty | Descrizione | Description | Description | Beshreibung | Remarks |
|------|------------|------|-----------------|------------------------|---------------|-----------------|---------|
| 551 | 98005000/1 | 1 | SACCO, COMPLETO | GRASSCATCHER, COMPLETE | SAC, COMPLETE | SACK, KOMPLETTE | |

GLOBAL GARDEN PRODUCTS

| Pos. | Code | Q.ty | Descrizione | Description | Description | Beshreibung | Remarks |
|------|------------|------|-------------------------|--------------------------------|------------------------|-----------------|---------|
| 552 | 22486076/0 | 1 | SACCO, PARTE SUP | GRASS-BOX, UPPER PART | SAC, PARTIE SUPERIEURE | KORB, OBERTEIL | |
| 553 | 22486077/0 | 1 | SACCO, PARTE INF | GRASS-BOX, LOWER PART | SAC, PARTIE INFERIEURE | KORB, UNTERTEIL | |
| 554 | 98004000/0 | 1 | SACCO IN TELA, COMPLETO | GRASSCATCHER, CANVASS COMPLETE | SAC EN TOILE, COMPLETE | SACK, KOMPLETTE | |
| 555 | 81006408/0 | 1 | TELAIO SACCO | CHASSIS BOX | CHÂSSIS BAC | RAHMEN SACK | |
| 556 | 81002105/2 | 1 | SACCO, TELA | BOX, FABRIC | SAC, TOILE | SACK, TUCK | |

6

06D_008



| Pos. | Code | Q.ty | Descrizione | Description | Description | Beshreibung | Remarks |
|------|------------|------|------------------|-----------------------|------------------------|--------------------|---------|
| 601 | 22486101/0 | 1 | SACCO, PARTE SUP | GRASS-BOX, UPPER PART | SAC, PARTIE SUPERIEURE | KORB, OBERTEIL | |
| 602 | 22608525/0 | 1 | RINFORZO INF | STIFFENING LOWER | RÉNFORCEMENT INF | VERSTÄRKUNG UNTERE | |
| 603 | 81002211/0 | 1 | SACCO, TELA | BOX, FABRIC | SAC, TOILE | SACK, TUCK | |
| 604 | 12728680/0 | 2 | VITE | SCREW | VIS | SCHRAUBE | |
| 605 | 12523050/0 | 2 | ROSETTA | WASHER | RONDELLE | SCHEIBE | |
| 606 | 22600063/1 | 1 | PARASASSI | STONE-GUARD | PARE-PIERRES | PRALLBLECH | |
| 607 | 22486150/0 | 1 | SACCO, PARTE INF | GRASS-BOX, LOWER PART | SAC, PARTIE INFERIEURE | KORB, UNTERTEIL | (DX) |
| 608 | 22486151/0 | 1 | SACCO, PARTE INF | GRASS-BOX, LOWER PART | SAC, PARTIE INFERIEURE | KORB, UNTERTEIL | (SX) |