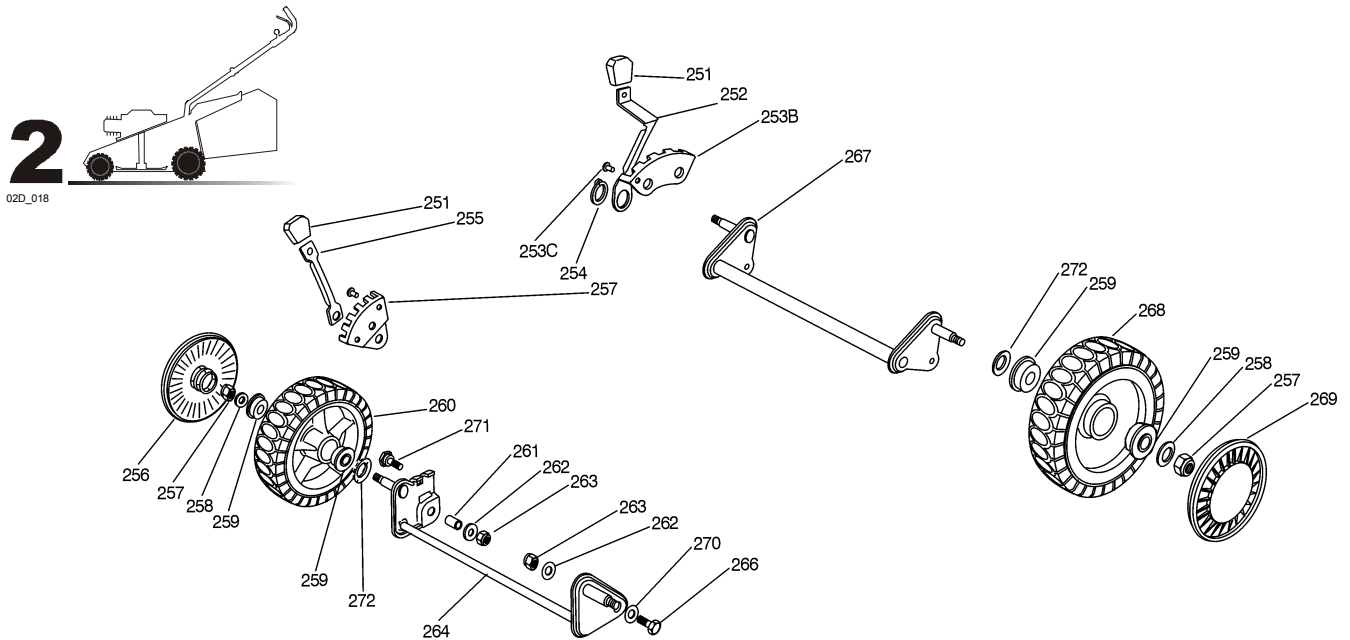


Pos.	Code	Q.ty	Descrizione	Description	Description	Beshreibung	Remarks
1	81001417/1	1	CHASSIS GIALLO	DECK YELLOW	CHÂSSIS JAUNE	GEHÄUSE GELB	(T 430 - T 430 S)
-	81001415/1	1	CHASSIS ROSSO	DECK RED	CHÂSSIS ROUGE	GEHÄUSE ROT	(T 430 - T 430 S)
-	81001421/1	1	CHASSIS VERDE	DECK GREEN	CHÂSSIS VERT	GEHÄUSE GRÜN	(T 430 - T 430 S)
-	81001418/2	1	CHASSIS GIALLO	DECK YELLOW	CHÂSSIS JAUNE	GEHÄUSE GELB	(T 480)
-	81001416/2	1	CHASSIS ROSSO	DECK RED	CHÂSSIS ROUGE	GEHÄUSE ROT	(T 480)
-	81001422/2	1	CHASSIS VERDE	DECK GREEN	CHÂSSIS VERT	GEHÄUSE GRÜN	(T 480)
2	22060171/0	1	CARTER CINGHIA	PROTECTION, BELT	PROTECTION COURROIRE	SCHUTZ, RIEMEN	(T 430 - T 430 S)
-	22060172/0	1	CARTER CINGHIA	PROTECTION, BELT	PROTECTION COURROIRE	SCHUTZ, RIEMEN	(T 480)
3	12728680/0	2	VITE	SCREW	VIS	SCHRAUBE	
4	12735402/0	4	VITE	SCREW	VIS	SCHRAUBE	
5	22545152/0	2	PIASTRINA	PLATE	PLAQUETTE	PLÄTTCHEN	
6	12691900/0	2	VITE	SCREW	VIS	SCHRAUBE	
7	12521350/0	4	ROSETTA	WASHER	RONDELLE	SCHEIBE	
8	22600043/0	1	PROT. MANICO SX	PROTECTION, L HANDLE	PROTECTION MANCHERON G	SCHUTZ, LINKERHOLM	
9	22600023/2	1	PARASASSI	STONE-GUARD	PARE-PIERRES	PRALLBLECH	
10	22517907/0	1	PERNO	PIN	PIVOT	BOLZEN	
11	81006917/0	2	MANICO, PARTE INF	HANDLE, LOWER PART	MANCHERON, PARTIE INFERIEURE	HOLM, UNTERTEIL	
12	18566110/0	2	PUNTALE	CAP	BOUCHON	GUMMISTOPFEN	
13	22450270/0	1	MOLLA	SPRING	RESSORT	FEDER	
14	81005102/0	1	PIASTRINA FISSAGGIO MANICO	PLATE FOR HANDLE FASTENING	PLAQUETTE FIXAGE MANCHERON	PLATTE HOLMBEFESTIGUNG	
14A	22551632/1	1	PIASTRINA FISSAGGIO MANICO	PLATE FOR HANDLE FASTENING	PLAQUETTE FIXAGE MANCHERON	PLATTE HOLMBEFESTIGUNG	
15	22192000/1	2	FASCETTA ANCORAGGIO	ANCHOR CLAMP	COLLIER ANCRAGE	BOWDENZUGHALTER	

## GLOBAL GARDEN PRODUCTS

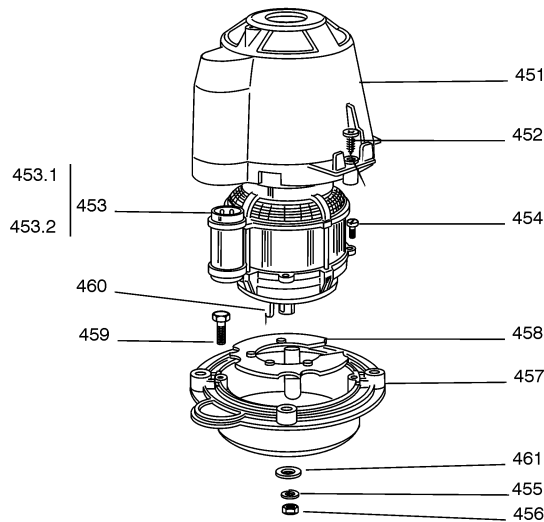
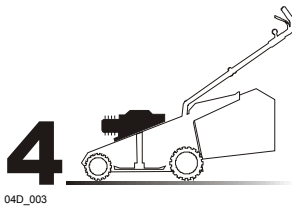
Pos.	Code	Q.ty	Descrizione	Description	Description	Beshreibung	Remarks
16	12819120/0	2	VITE	SCREW	VIS	SCHRAUBE	
17	22680006/1	2	ROSETTA	WASHER	RONDELLE	SCHEIBE	
18	22399900/0	2	MANOPOLINA	KNOB	POIGNÉE	GRIFF	
19	12293200/0	2	DADO	NUT	ECROU	MUTTER	
20	22192151/0	1	FERMACAVO	FAIRLEAD	FIXATION CABLE	KABELBEFESTIGUNG	
21	81006945/2	1	MANICO, PARTE SUP	HANDLE, UPPER PART	MANCHERON, PARTIE SUPERIEURE	HOLM, OBERTEIL	
22	22195101/3	1	FERMACAVO	FAIRLEAD	FIXATION CABLE	KABELBEFESTIGUNG	
23	-	1	SALVAMOTORE	DEAD HAND SWITCH	INT. MAIN MORTE	TOT MANSCHALTER	(SEE ENCLOSURE 2)
24	22055045/1	1	CAPOTTINA	COVER	CAPOT	HAUBE	
24A	22055033/1	1	CAPOTTINA	COVER	CAPOT	HAUBE	
24B	22055058/0	1	CAPOTTINA	COVER	CAPOT	HAUBE	
25	12691400/0	2	VITE	SCREW	VIS	SCHRAUBE	
26	22600042/0	1	PROT. MANICO DX	PROTECTION, R HANDLE	PROTECTION MANCHERON D	SCHUTZ, RECHTERHOLM	
27	81008594/0	1	DOTAZIONE VITERIA	OUTFIT, SCREWS	DOTATION VISSERIE	SATZ, SCHRAUBEN	



Pos.	Code	Q.ty	Descrizione	Description	Description	Beshreibung	Remarks
251	22400000/1	2	MANOPOLINA	KNOB	POIGNÉE	GRIFF	
252	22321497/0	1	LEVA REGOLAZIONE ALTEZZA	LEVER, HEIGHT ADJUSTMENT	LEVIER REGLAGE HAUTEUR	HEBEL, HÖNEVERSTELLUNG	
253A	22735535/0	1	SETTORE REGOLAZIONE ALTEZZA	SECTOR, HEIGHT ADJUSTMENT	SECTEUR REGLAGE HAUTEUR	SEKTOR, HÖNEVERSTELLUNG	
253B	22735508/0	1	SETTORE REGOLAZIONE ALTEZZA	SECTOR, HEIGHT ADJUSTMENT	SECTEUR REGLAGE HAUTEUR	SEKTOR, HÖNEVERSTELLUNG	
253C	12500070/0	3	RIVETTO	RIVET	RIVET	NIETE	
254	12609260/0	1	ANELLO ARRESTO	RING	ANNEAU DE TENNUE	RING	
255	22321502/1	1	LEVA REGOLAZIONE ALTEZZA	LEVER, HEIGHT ADJUSTMENT	LEVIER REGLAGE HAUTEUR	HEBEL, HÖNEVERSTELLUNG	
256	22110282/0	2	COPRIMOZZO BIANCO	HUB CAP WHITE	COUVRE-MOYEU BLANC	RADKAPPE WEIßE	
-	22110288/0	2	COPRIMOZZO GIALLO	HUB CAP YELLOW	COUVRE-MOYEU JAUNE	RADKAPPE GELBE	
-	22110290/0	2	COPRIMOZZO ROSSO	HUB CAP RED	COUVRE-MOYEU ROUGE	RADKAPPE ROTE	
257	12155000/0	4	DADO	NUT	ECROU	MUTTER	
258	12521350/0	4	ROSETTA	WASHER	RONDELLE	SCHEIBE	
259	22122200/0	8	CUSCINETTO	BEARING	COUSSINET	LAGER	
260	81007336/0	2	RUOTA SCOLPITA Ø 170	WHEEL, KNOBBLY Ø 170	ROUE SCULPTEE Ø 170	RAD M. STOLLENPR. Ø 170	
261	22170950/0	1	DISTANZIALE DX	R SPACER	ENTRETOISE D	RECHTER DISTANZRING	
262	12523060/0	2	ROSETTA	WASHER	RONDELLE	SCHEIBE	
263	12155000/0	2	DADO	NUT	ECROU	MUTTER	

## GLOBAL GARDEN PRODUCTS

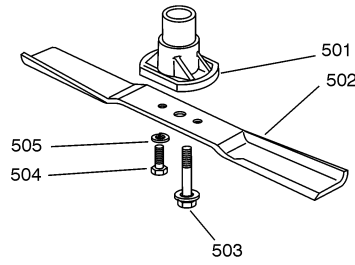
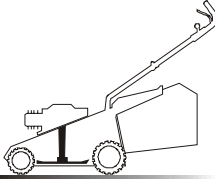
Pos.	Code	Q.ty	Descrizione	Description	Description	Beshreibung	Remarks
264	81001408/0	1	ASSE RUOTE ANTERIORE	AXLE, FRONT WHEELS	AXE ROUES AVANT	ACHSE, VORDERRAD	(T 430 - T 430 S)
-	81001410/0	1	ASSE RUOTE ANTERIORE	AXLE, FRONT WHEELS	AXE ROUES AVANT	ACHSE, VORDERRAD	(T 480)
266	22519515/0	1	PERNO	PIN	PIVOT	BOLZEN	
267	81000151/0	1	ASSE RUOTE POSTERIORE	AXLE, REAR WHEELS	AXE ROUES ARRIERE	ACHSE, HINTERRAD	
268	81007337/0	2	RUOTA SCOLPITA Ø 210	WHEEL, KNOBBLY Ø 210	ROUE SCULPTEE Ø 210	RAD M. STOLLENPR. Ø 210	
269	22110281/0	2	COPRIMOZZO BIANCO	HUB CAP WHITE	COUVRE-MOYEU BLANC	RADKAPPE WEIßE	
-	22110287/0	2	COPRIMOZZO GIALLO	HUB CAP YELLOW	COUVRE-MOYEU JAUNE	RADKAPPE GELBE	
-	22110289/0	2	COPRIMOZZO ROSSO	HUB CAP RED	COUVRE-MOYEU ROUGE	RADKAPPE ROTE	
270	12530150/0	4	ROSETTA ELASTICA	SPRING WASHER	RONDELLE ELASTIQUE	ELASTISCHE SCHEIBE	
271	22519510/0	1	PERNO	PIN	PIVOT	BOLZEN	
272	12530150/0	4	ROSETTA ELASTICA	SPRING WASHER	RONDELLE ELASTIQUE	ELASTISCHE SCHEIBE	



Pos.	Code	Q.ty	Descrizione	Description	Description	Beshreibung	Remarks
451	22785061/0	1	SUPPORTO CAPOTTINA	SUPPORT, COVER	SUPPORT CAPOT	HALTER, HAUBE	
452	12728710/0	4	VITE	SCREW	VIS	SCHRAUBE	
453	18563605/0	1	MOTORE ATB	MOTOR ATB	MOTEUR ATB	MOTOR ATB	230V (1600W)
-	18563009/0	1	MOTORE RST	MOTOR RST	MOTEUR RST	MOTOR RST	230V (1600W)
-	18563607/0	1	MOTORE ATB	MOTOR ATB	MOTEUR ATB	MOTOR ATB	240V (1600W)
453.1	18740054/0	1	VENTOLA PER MOTORE ATB	FAN MOTOR ATB	VENTILATEUR MOTEUR ATB	LÜFTER MOTOR ATB	
-	18740051/0	1	VENTOLA PER MOTORE RST	FAN MOTOR RST	VENTILATEUR MOTEUR RST	LÜFTER MOTOR RST	
453.2	18222045/0	1	CONDENSATORE 16 µF	CONDENSER 16 µF	CONDENSEUR 16 µF	KONDENSATOR 16 µF	(ATB)
-	18222038/0	1	CONDENSATORE 20 µF	CONDENSER 20 µF	CONDENSEUR 20 µF	KONDENSATOR 20 µF	(RST)
454	12735410/0	4	VITE	SCREW	VIS	SCHRAUBE	
455	12583500/0	4	GROWER	GROWER	GROWER	FEDERRING	
456	12293200/0	4	DADO	NUT	ECROU	MUTTER	
457	22207202/1	1	FLANGIA	FLANGE	BRIDE	FLANSCH	
458	22720360/1	1	SCHERMO VENTILAZIONE	VENTILATION SCREEN	ECRAN VENTILATION	LÜFTUNGSSCHIRM	
459	12691600/0	4	VITE	SCREW	VIS	SCHRAUBE	
460	12139440/0	1	LINGUETTA	FEATHER	CLAVETTE	KEIL	
461	12523070/0	4	ROSETTA	WASHER	RONDELLE	SCHEIBE	

5

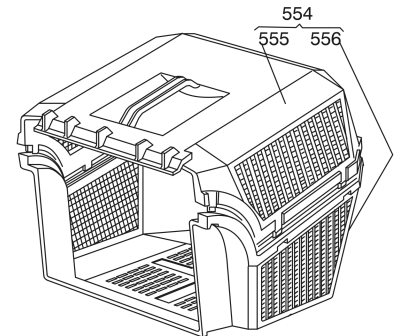
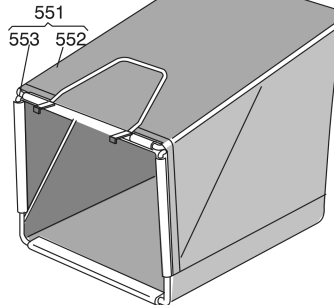
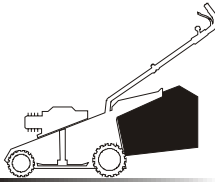
05D\_006



Pos.	Code	Q.ty	Descrizione	Description	Description	Beshreibung	Remarks
501	22463187/2	1	MOZZO	HUB	MOYEU	HALTER	
502	81004396/0	1	COLTELLO ALETTATO	BLADE WINGED	LAME AILETTÉE	MESSER FLÜGEL	(41 cm)
-	81004341/3	1	COLTELLO STANDARD	BLADE STANDARD	LAME STANDARD	MESSER STANDARD	(41 cm)
-	81004397/0	1	COLTELLO ALETTATO	BLADE WINGED	LAME AILETTÉE	MESSER FLÜGEL	(46 cm)
-	81004346/3	1	COLTELLO STANDARD	BLADE STANDARD	LAME STANDARD	MESSER STANDARD	(46 cm)
503	81004353/1	1	VITE	SCREW	VIS	SCHRAUBE	
504	12793101/0	1	VITE	SCREW	VIS	SCHRAUBE	
505	12583500/0	2	GROWER	GROWER	GROWER	FEDERRING	

6

06D\_004

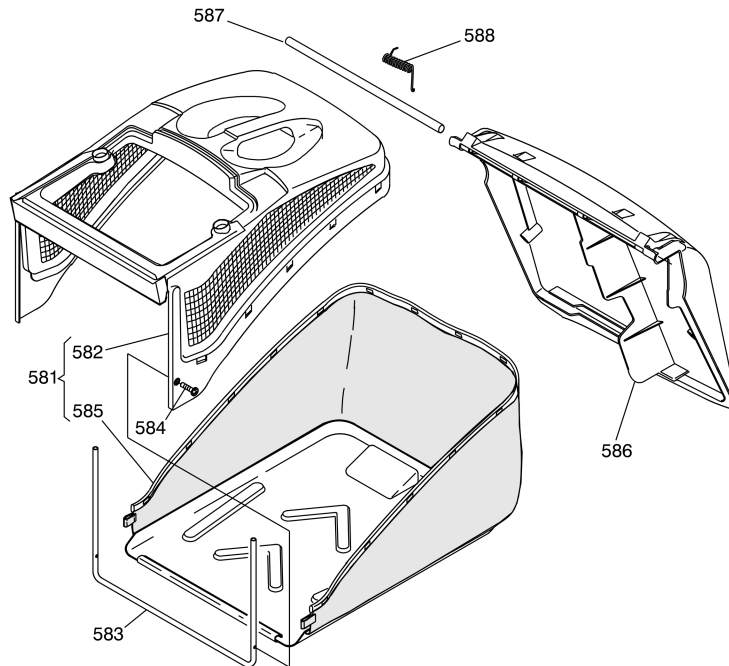
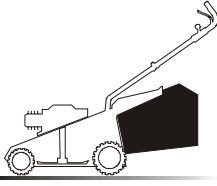


Pos.	Code	Q.ty	Descrizione	Description	Description	Beshreibung	Remarks
551	96400000/0	1	SACCO IN TELA, COMPLETO	GRASSCATCHER, CANVASS COMPLETE	SAC EN TOILE, COMPLETE	SACK, KOMPLETTE	
552	81002124/1	1	SACCO, TELA	BOX, FABRIC	SAC, TOILE	SACK, TUCK	
553	81006430/0	1	TELAIO SACCO	CHASSIS BOX	CHÂSSIS BAC	RAHMEN SACK	
554	96500000/0	1	SACCO, COMPLETO	GRASSCATCHER, COMPLETE	SAC, COMPLETE	SACK, KOMPLETTE	
555	22486065/0	1	SACCO, PARTE SUP	GRASS-BOX, UPPER PART	SAC, PARTIE SUPERIEURE	KORB, OBERTEIL	
556	22486064/0	1	SACCO, PARTE INF	GRASS-BOX, LOWER PART	SAC, PARTIE INFERIEURE	KORB, UNTERTEIL	



6

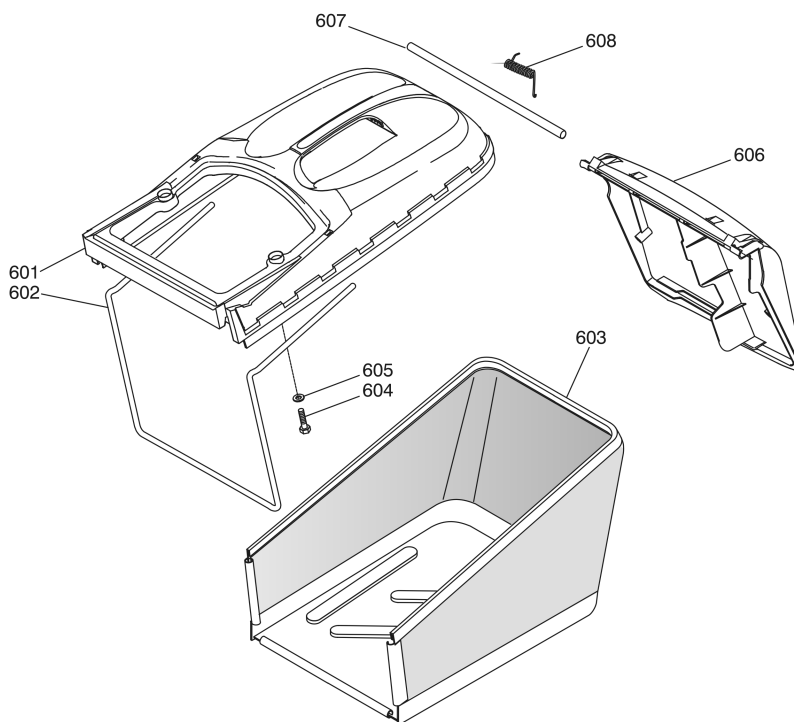
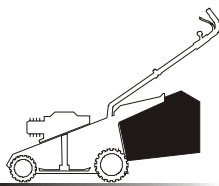
06D\_010



Pos.	Code	Q.ty	Descrizione	Description	Description	Beshreibung	Remarks
581	92140000/1	1	SACCO COMPLETO	GRASS-BOX, COMPLETE	BAC COMPLET	KORB, KOMPLETTE	
582	22486094/0	1	SACCO, PARTE SUP	GRASS-BOX, UPPER PART	SAC, PARTIE SUPERIEURE	KORB, OBERTEIL	
583	22608524/0	1	RINFORZO INF	STIFFENING LOWER	RÉNFORCEMENT INF	VERSTÄRKUNG UNTERE	
584	12728445/0	2	VITE	SCREW	VIS	SCHRAUBE	
585	81002196/0	1	SACCO, TELA	BOX, FABRIC	SAC, TOILE	SACK, TUCK	
586	22600066/2	1	PARASASSI	STONE-GUARD	PARE-PIERRES	PRALLBLECH	
587	22517907/0	1	PERNO	PIN	PIVOT	BÖLZEN	
588	22451000/0	1	MOLLA	SPRING	RESSORT	FEDER	

6

06D\_011



Pos.	Code	Q.ty	Descrizione	Description	Description	Beshreibung	Remarks
601	22486102/0	1	SACCO, PARTE SUP	GRASS-BOX, UPPER PART	SAC, PARTIE SUPERIEURE	KORB, OBERTEIL	
602	22608526/0	1	RINFORZO INF	STIFFENING LOWER	RÉNFORCEMENT INF	VERSTÄRKUNG UNTERE	
603	81002212/0	1	SACCO, TELA	BOX, FABRIC	SAC, TOILE	SACK, TUCK	
604	12728680/0	2	VITE	SCREW	VIS	SCHRAUBE	
605	12523050/0	2	ROSETTA	WASHER	RONDELLE	SCHEIBE	
606	22600066/2	1	PARASASSI	STONE-GUARD	PARE-PIERRES	PRALLBLECH	
607	22517857/0	1	PERNO	PIN	PIVOT	BOLZEN	
608	22451000/0	1	MOLLA	SPRING	RESSORT	FEDER	