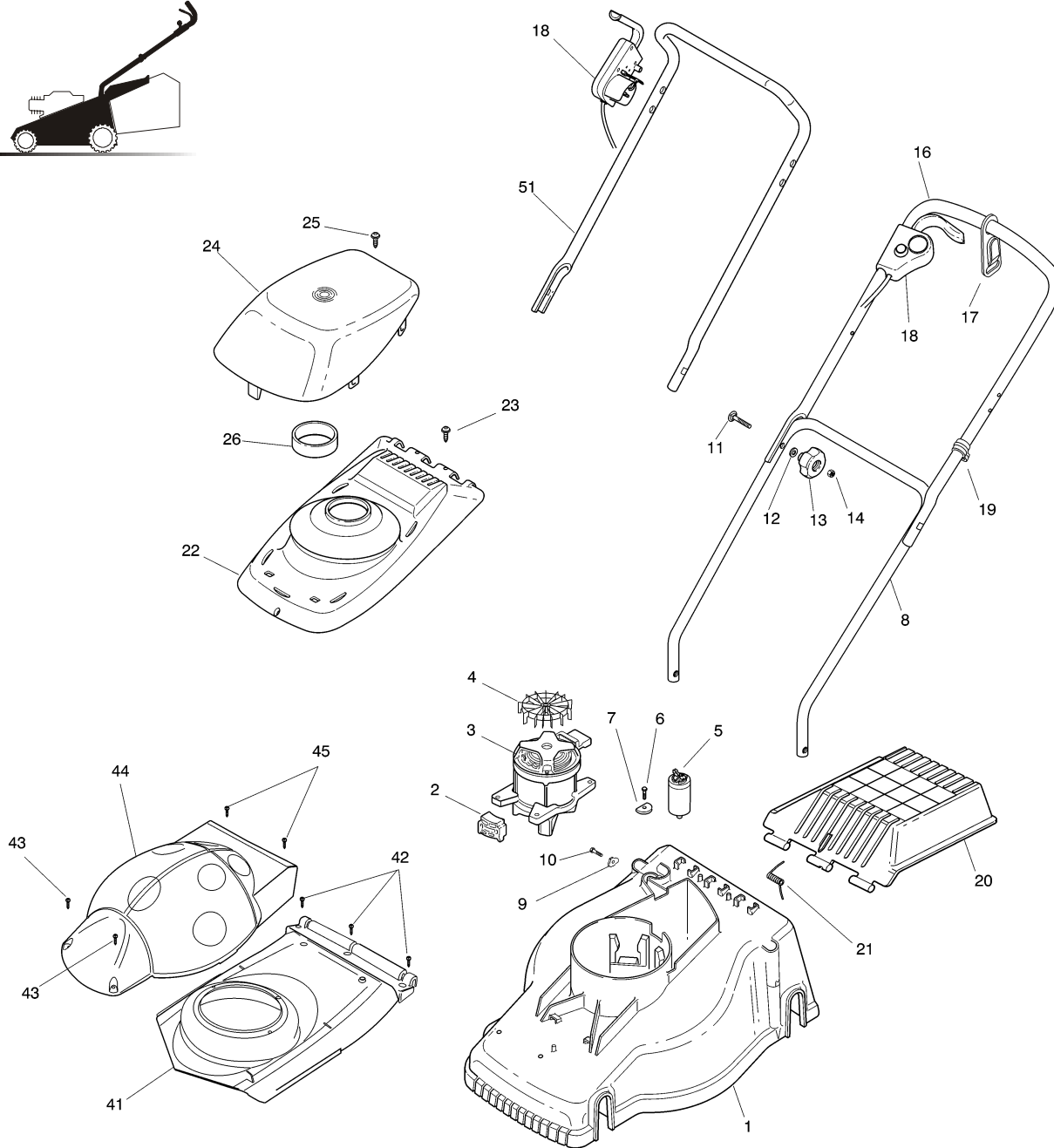




01D_EP420



Pos.	Code	Q.ty	Descrizione	Description	Description	Beshreibung	Remarks
1	22066690/0	1	CHASSIS ROSSO	DECK RED	CHÂSSIS ROUGE	GEHÄUSE ROT	
-	22066689/0	1	CHASSIS VERDE	DECK GREEN	CHÂSSIS VERT	GEHÄUSE GRÜN	
2	22250010/0	4	GOMMINO	GROMMET	PROCTECION	SCHUTZ	
3	18563615/0	1	MOTORE	MOTOR	MOTEUR	MOTOR	1100W 230V 50 Hz
-	18563616/0	1	MOTORE	MOTOR	MOTEUR	MOTOR	1300W 230V 50 Hz
4	18740055/0	1	VENTOLA PER MOTORE	FAN MOTOR	VENTILATEUR MOTEUR	LÜFTER MOTOR	
5	18222046/0	1	CONDENSATORE	CONDENSER	CONDENSEUR	KONDENSATOR	
6	12728688/0	1	VITE	SCREW	VIS	SCHRAUBE	
7	12523050/0	1	ROSETTA	WASHER	RONDELLE	SCHEIBE	
8	81006567/0	1	MANICO, PARTE INF	HANDLE, LOWER PART	MANCHERON, PARTIE INFERIEURE	HOLM, UNTERTEIL	
9	22545135/0	2	PIASTRINA	PLATE	PLAQUETTE	PLÄTTCHEN	
10	12728099/1	2	VITE	SCREW	VIS	SCHRAUBE	
11	12819110/0	2	VITE	SCREW	VIS	SCHRAUBE	
12	12521350/0	2	ROSETTA	WASHER	RONDELLE	SCHEIBE	
13	22399804/0	2	MANOPOLINA	KNOB	POIGNÉE	GRIF	

GLOBAL GARDEN PRODUCTS

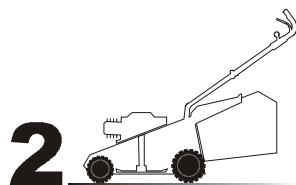
Pos.	Code	Q.ty	Descrizione	Description	Description	Beshreibung	Remarks
14	12293200/0	2	DADO	NUT	ECROU	MUTTER	
16	81006572/1	1	MANICO, PARTE SUP	HANDLE, UPPER PART	MANCHERON, PARTIE SUPERIEURE	HOLM, OBERTEIL	
17	22195101/3	1	FERMACAVO	FAIRLEAD	FIXATION CABLE	KABELBEFESTIGUNG	
18	-	1	SALVAMOTORE	DEAD HAND SWITCH	INT. MAIN MORTE	TOT MANSCHALTER	(SEE ENCLOSURE 2)
19	22192151/0	1	FERMACAVO	FAIRLEAD	FIXATION CABLE	KABELBEFESTIGUNG	
20	22600079/0	1	PARASASSI	STONE-GUARD	PARE-PIERRES	PRALLBLECH	
21	22450430/0	1	MOLLA	SPRING	RESSORT	FEDER	
22	22785131/1	1	SUPPORTO CAPOTTINA	SUPPORT, COVER	SUPPORT CAPOT	HALTER, HAUBE	
23	12728686/0	5	VITE	SCREW	VIS	SCHRAUBE	
24	22055071/0	1	CAPOTTINA	COVER	CAPOT	HAUBE	
25	12728687/0	2	VITE	SCREW	VIS	SCHRAUBE	
26	22020072/0	1	PROTEZIONE	PROTECTION	PROTECTION	SCHUTZ	

VARIANTE CAPOTTINA - COVER MODIFICATION - MODIFICATION CAPOT - HAUBE ÄNDERUNGEN

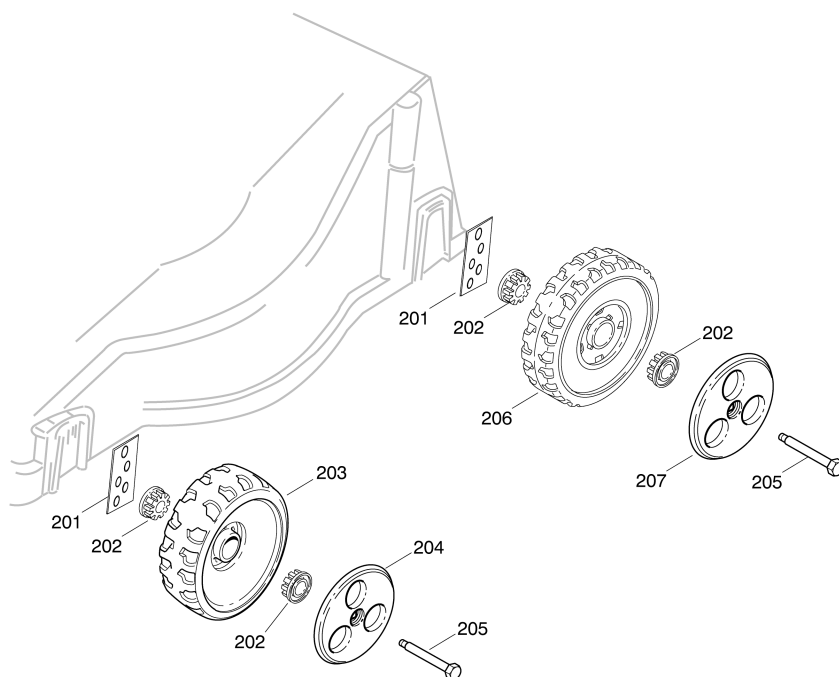
Pos.	Code	Q.ty	Descrizione	Description	Description	Beshreibung	Remarks
41	22785152/0	1	SUPPORTO CAPOTTINA	SUPPORT, COVER	SUPPORT CAPOT	HALTER, HAUBE	
42	12728686/0	3	VITE	SCREW	VIS	SCHRAUBE	
43	12728688/0	2	VITE	SCREW	VIS	SCHRAUBE	
44	22055078/0	1	CAPOTTINA "LADYBIRD", GIALLO	COVER "LADYBIRD" YELLOW	CAPOT "LADYBIRD" JAUNE	HAUBE "LADYBIRD" GELB	
-	22055073/0	1	CAPOTTINA "LADYBIRD", ROSSO	COVER "LADYBIRD" RED	CAPOT "LADYBIRD" ROUGE	HAUBE "LADYBIRD" ROT	
45	12728687/0	2	VITE	SCREW	VIS	SCHRAUBE	

VARIANTE MANICO SUPERIORE - UPPER HANDLE MODIFICATION - MODIFICATION MANCHERON SUPERIEURE - UBERHOLM ÄNDERUNGEN

Pos.	Code	Q.ty	Descrizione	Description	Description	Beshreibung	Remarks
51	81006571/0	1	MANICO, PARTE SUP	HANDLE, UPPER PART	MANCHERON, PARTIE SUPERIEURE	HOLM, OBERTEIL	



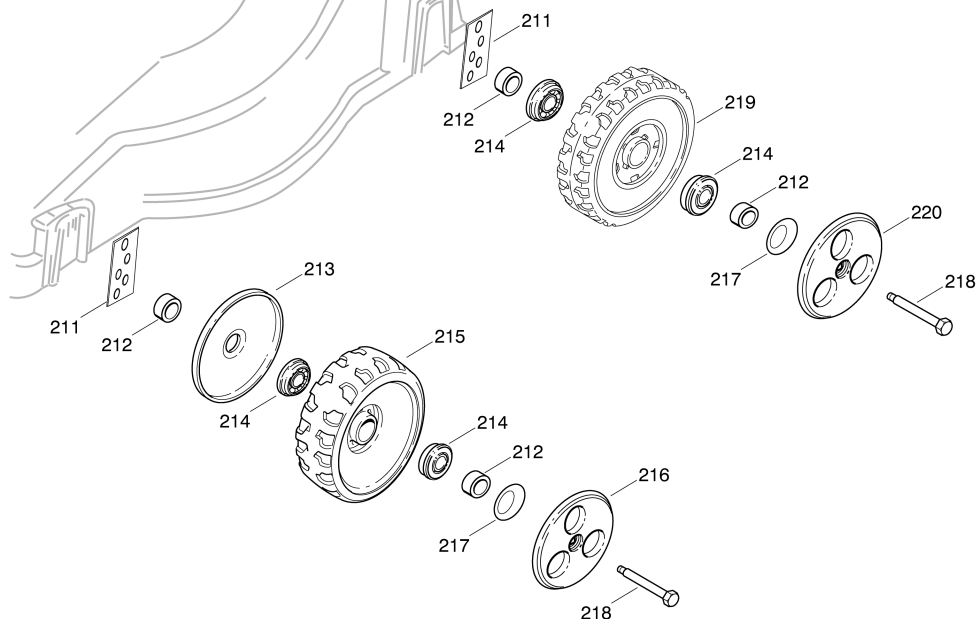
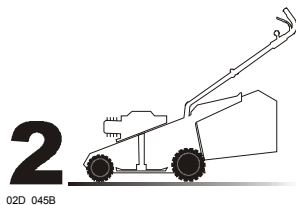
02D_045A



Pos.	Code	Q.ty	Descrizione	Description	Description	Beshreibung	Remarks
201	22785093/0	4	SUPPORTO RUOTA	SUPPORT, WHEEL	SUPPORT ROUE	HALTER, RAD	
202	22034511/0	8	BUSSOLA	BUSH	DOUILLE	BUCHSE	
203	81007346/0	2	RUOTA Ø 165	WHEEL Ø 165	ROUE Ø 165	RAD Ø 165	
204	22110320/1	2	COPRIMOZZO BIANCO	HUB CAP WHITE	COUVRE-MOYEU BLANC	RADKAPPE WEIßE	

GLOBAL GARDEN PRODUCTS

Pos.	Code	Q.ty	Descrizione	Description	Description	Beshreibung	Remarks
205	22524321/0	4	PERNO	PIN	PIVOT	BOLZEN	
206	81007347/0	2	RUOTA Ø 190	WHEEL Ø 190	ROUE Ø190	RAD Ø 190	
207	22110338/1	2	COPRIMOZZO BIANCO	HUB CAP WHITE	COUVRE-MOYEU BLANC	RADKAPPE WEIßE	

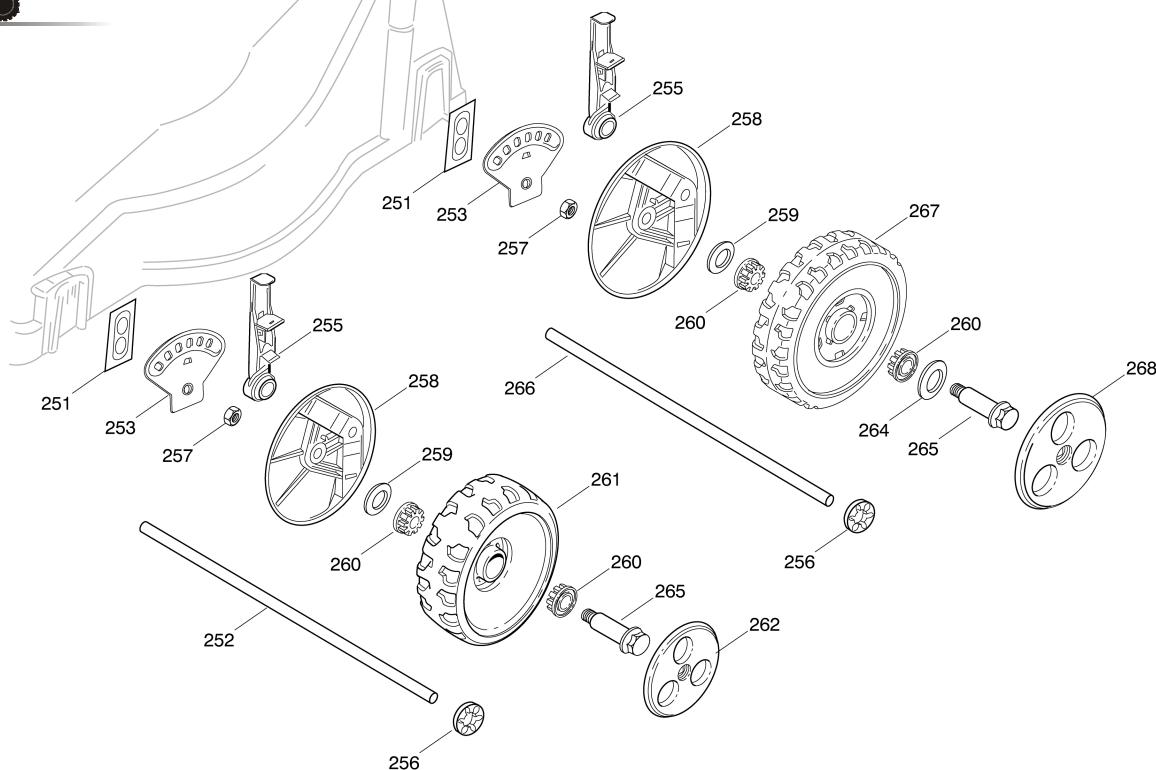
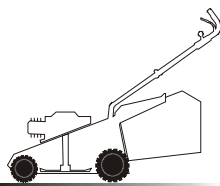


VARIANTE RUOTE SU CUSCINETTI - WHEEL ON BEARINGS MODIFICATIONS - MODIFICATIONS ROUES SUR COUSSINETS - ÄNDERUNGEN AUF RÄDER MIT LAGER

Pos.	Code	Q.ty	Descrizione	Description	Description	Beshreibung	Remarks
211	22785093/0	4	SUPPORTO RUOTA	SUPPORT, WHEEL	SUPPORT ROUE	HALTER, RAD	
212	22170620/0	8	DISTANZIALE	SPACER	ENTRETOISE	DISTANZRING	
213	22600095/0	2	PROTEZIONE	PROTECTION	PROTECTION	SCHUTZ	
214	22122202/0	8	CUSCINETTO	BEARING	COUSSINET	LAGER	
215	81007346/0	2	RUOTA Ø 165	WHEEL Ø 165	ROUE Ø 165	RAD Ø 165	
216	22110320/1	2	COPRIMOZZO BIANCO	HUB CAP WHITE	COUVRE-MOYEU BLANC	RADKAPPE WEIßE	
217	12508124/0	4	MOLLA A TAZZA	CUPPED SPRING	RESSORT	TELLER FEDER	
218	22524321/0	4	PERNO	PIN	PIVOT	BOLZEN	
219	81007347/0	2	RUOTA Ø 190	WHEEL Ø 190	ROUE Ø190	RAD Ø 190	
220	22110338/1	2	COPRIMOZZO BIANCO	HUB CAP WHITE	COUVRE-MOYEU BLANC	RADKAPPE WEIßE	

2

02D_046A

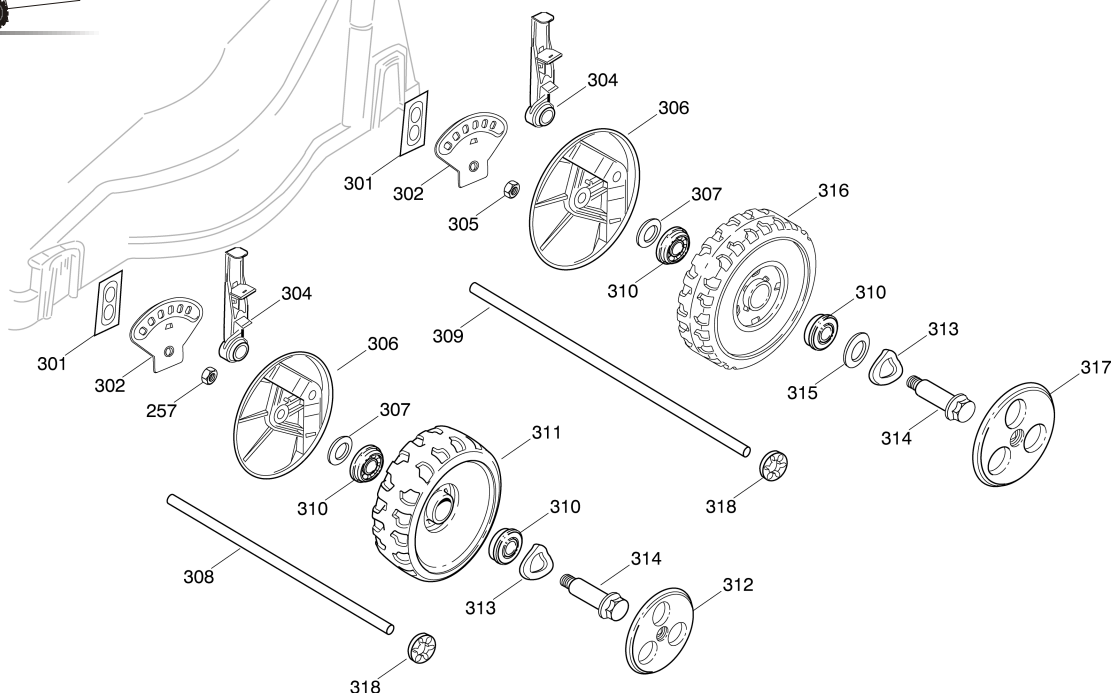
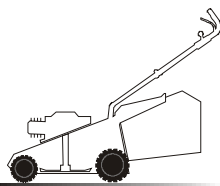


VARIANTE REGOLAZIONE RUOTE - WHEEL ADJUSTMENT MODIFICATION - MODIFICATION REGLAGE ROUES - ÄNDERUNG RADEINSTELL

Pos.	Code	Q.ty	Descrizione	Description	Description	Beshreibung	Remarks
251	22785135/0	4	SUPPORTO	SUPPORT	SUPPORT	HALTER	
252	22033363/0	1	ASSE	AXLE	AXE	ACHSE	
253	22735555/0	4	SETTORE DI REGOLAZIONE	SECTOR, HEIGHT ADJUSTMENT	SECTEUR REGLAGE	SEKTOR, HÖHEVERSTELLUNG	
255	81003306/0	4	LEVA REGOLAZIONE ALTEZZA	LEVER, HEIGHT ADJUSTMENT	LEVIER REGLAGE HAUTEUR	HEBEL, HÖNEVERSTELLUNG	
256	22020050/0	4	ANELLO ELASTICO	SNAP RING	ANNEAU RESSORT	SPRENGRING	
257	12155000/0	4	DADO	NUT	ECROU	MUTTER	
258	22600096/0	4	PROT. RUOTE	PROTECTION, WHEEL	PROTECTION ROUE	SCHÜTZ, RÄDER	
259	22671651/0	4	ROSETTA	WASHER	RONDELLE	SCHEIBE	
260	22034509/0	8	BUSSOLA	BUSH	DOUILLE	BUCHSE	
261	81007346/0	2	RUOTA Ø 165	WHEEL Ø 165	ROUE Ø 165	RAD Ø 165	
262	22110322/0	2	COPRIMOZZO BIANCO	HUB CAP WHITE	COUVRE-MOYEU BLANC	RADKAPPE WEIßE	ø 175
264	12521370/0	2	ROSETTA	WASHER	RONDELLE	SCHEIBE	
265	22524322/0	4	PERNO	PIN	PIVOT	BOLZEN	
266	22033362/0	1	ASSE	AXLE	AXE	ACHSE	
267	81007347/0	2	RUOTA Ø 190	WHEEL Ø 190	ROUE Ø190	RAD Ø 190	
268	22110341/0	2	COPRIMOZZO BIANCO	HUB CAP WHITE	COUVRE-MOYEU BLANC	RADKAPPE WEIßE	

2

02D_046B



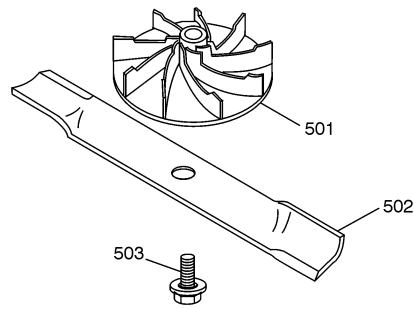
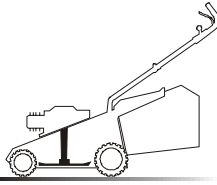
VARIANTE REGOLAZIONE RUOTE SU CUSCINETTI - WHEEL ON BEARINGS ADJUSTMENT MODIFICATION - MODIFICATION REGLAGE ROUES SUR COUSSINETS - ÄNDERUNG RADEINSTELL MIT LAGER

Pos.	Code	Q.ty	Descrizione	Description	Description	Beshreibung	Remarks
301	22785135/0	4	SUPPORTO	SUPPORT	SUPPORT	HALTER	
302	22735555/0	4	SETTORE DI REGOLAZIONE	SECTOR, HEIGHT ADJUSTMENT	SECTEUR REGLAGE	SEKTOR, HÖHEVERSTELLUNG	
304	81003306/0	4	LEVA REGOLAZIONE ALTEZZA	LEVER, HEIGHT ADJUSTMENT	LEVIER REGLAGE HAUTEUR	HEBEL, HÖNEVERSTELLUNG	
305	12155000/0	4	DADO	NUT	ECROU	MUTTER	
306	22600096/0	4	PROT. RUOTE	PROTECTION, WHEEL	PROTECTION ROUE	SCHÜTZ, RÄDER	
307	22671651/0	4	ROSETTA	WASHER	RONDELLE	SCHEIBE	
308	22033363/0	1	ASSE	AXLE	AXE	ACHSE	
309	22033362/0	1	ASSE	AXLE	AXE	ACHSE	
310	22122202/0	8	CUSCINETTO	BEARING	COUSSINET	LAGER	
311	81007346/0	2	RUOTA Ø 165	WHEEL Ø 165	ROUE Ø 165	RAD Ø 165	
312	22110322/0	2	COPRIMOZZO BIANCO	HUB CAP WHITE	COUVRE-MOYEU BLANC	RADKAPPE WEIßE	ø 175
313	22675100/0	4	ROSETTA	WASHER	RONDELLE	SCHEIBE	
314	22524322/0	4	PERNO	PIN	PIVOT	BOLZEN	
315	12521370/0	2	ROSETTA	WASHER	RONDELLE	SCHEIBE	
316	81007347/0	2	RUOTA Ø 190	WHEEL Ø 190	ROUE Ø190	RAD Ø 190	
317	22110341/0	2	COPRIMOZZO BIANCO	HUB CAP WHITE	COUVRE-MOYEU BLANC	RADKAPPE WEIßE	
318	22020050/0	4	ANELLO ELASTICO	SNAP RING	ANNEAU RESSORT	SPRENGRING	

GLOBAL GARDEN PRODUCTS

5

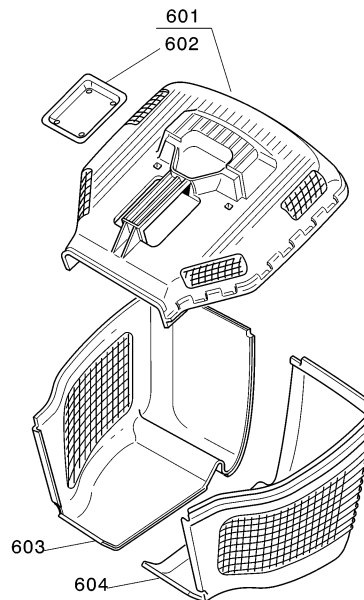
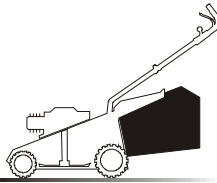
05D_033



Pos.	Code	Q.ty	Descrizione	Description	Description	Beshreibung	Remarks
501	22465603/0	1	MOZZO GIRANTE	HUB FAN	MOYEU VENTILATEUR	LÄUFENDENABE	
502	81004119/1	1	COLTELLO	BLADE	LAME	MESSER	
503	81004340/0	1	VITE	SCREW	VIS	SCHRAUBE	

6

06D_014B



Pos.	Code	Q.ty	Descrizione	Description	Description	Beshreibung	Remarks
601	22486115/0	1	PARTE SUP.SACCO	GRASSBOX UPPER PART	SAC, PARTIE SUPERIEURE	KORB OBERTEIL	
602	22486098/0	1	PIASTRINA	PLATE	PLAQUETTE	PLÄTTCHEN	
603	22486120/0	1	PARTE INFER. SACCO DX	GRASSBOX LOWER PART (R)	SAC, PARTIE INFERIEURE (D)	KORB UNTERTEIL (R)	
604	22486119/0	1	PARTE INFER. SACCO SX	GRASSBOX LOWER PART (L)	SAC, PARTIE INFERIEURE (G)	KORB UNTERTEIL (L)	