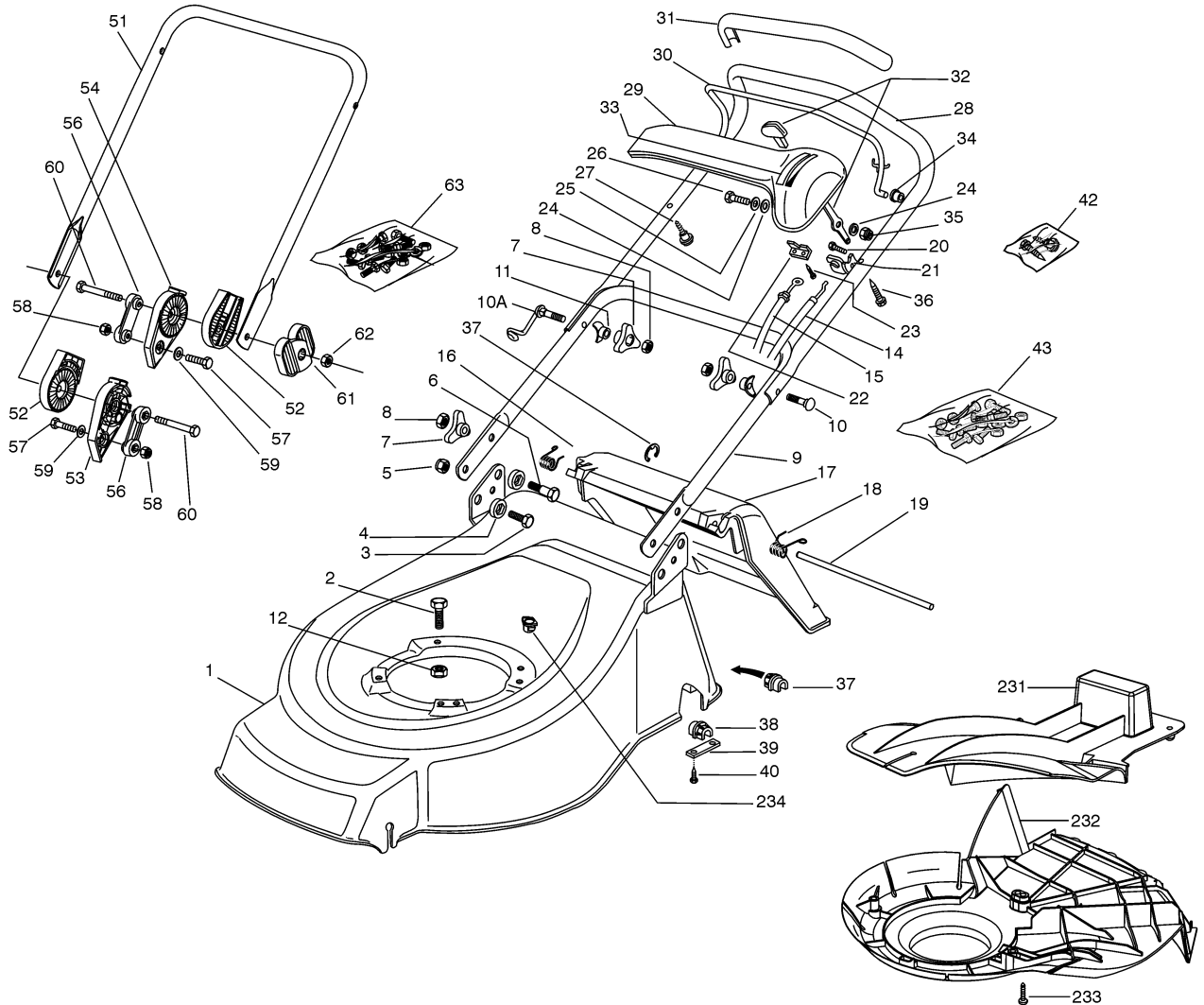
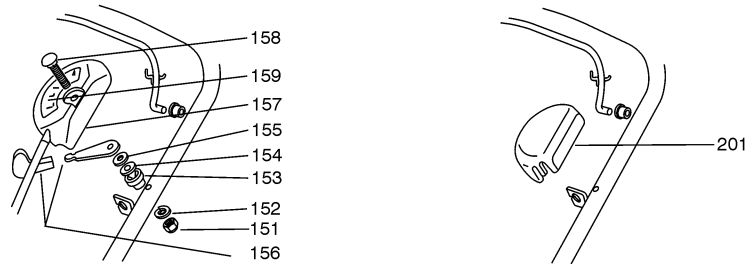


01D\_TDL434



01T\_025

Pos.	Code	Q.ty	Descrizione	Description	Description	Beschreibung	Remarks
1	81001343/0	1	CHASSIS ROSSO	DECK RED	CHÂSSIS ROUGE	GEHÄUSE ROT	(TDL 434)
-	81001353/0	1	CHASSIS GIALLO	DECK YELLOW	CHÂSSIS JAUNE	GEHÄUSE GELB	(TDL 434)
-	81001375/0	1	CHASSIS VERDE	DECK GREEN	CHÂSSIS VERT	GEHÄUSE GRÜN	(TDL 434)
-	81001344/0	1	CHASSIS ROSSO	DECK RED	CHÂSSIS ROUGE	GEHÄUSE ROT	(TDL 484)
-	81001355/0	1	CHASSIS GIALLO	DECK YELLOW	CHÂSSIS JAUNE	GEHÄUSE GELB	(TDL 484)
-	81001377/0	1	CHASSIS VERDE	DECK GREEN	CHÂSSIS VERT	GEHÄUSE GRÜN	(TDL 484)
-	81001744/2	1	CHASSIS ROSSO	DECK RED	CHÂSSIS ROUGE	GEHÄUSE ROT	(TDL 534)
-	81001745/2	1	CHASSIS GIALLO	DECK YELLOW	CHÂSSIS JAUNE	GEHÄUSE GELB	(TDL 534)
-	81001746/2	1	CHASSIS VERDE	DECK GREEN	CHÂSSIS VERT	GEHÄUSE GRÜN	(TDL 534)
2	12691800/0	0/1	VITE	SCREW	VIS	SCHRAUBE	
-	12793701/0	3/2	VITE	SCREW	VIS	SCHRAUBE	
3	12792610/0	2	VITE	SCREW	VIS	SCHRAUBE	
4	22041955/0	4	BUSSOLA	BUSH	DOUILLE	BUCHSE	
5	12155000/0	2	DADO	NUT	ECROU	MUTTER	
6	12793700/0	2	VITE	SCREW	VIS	SCHRAUBE	



01T.025

Pos.	Code	Q.ty	Descrizione	Description	Description	Beshreibung	Remarks
7	22399900/0	4	MANOPOLINA	KNOB	POIGNÉE	GRIFF	
8	12293200/0	4	DADO	NUT	ECROU	MUTTER	
9	81006512/0	1	MANICO, PARTE INF	HANDLE, LOWER PART	MANCHERON, PARTIE INFÉRIEURE	HOLM, UNTERTEIL	(TDL 434 / TDL 484)
-	81006990/0	1	MANICO, PARTE INF	HANDLE, LOWER PART	MANCHERON, PARTIE INFÉRIEURE	HOLM, UNTERTEIL	(TDL 534)
10	12819201/0	1	VITE	SCREW	VIS	SCHRAUBE	
10A	81003801/1	1	MOLLA GUIDA	SPRING	RESSORT	FEDER	
11	22680006/1	2	ROSETTA	WASHER	RONDELLE	SCHEIBE	
12	12155000/0	0/1	DADO	NUT	ECROU	MUTTER	
-	12293201/0	3/2	DADO	NUT	ECROU	MUTTER	
13	12792610/0	2	VITE	SCREW	VIS	SCHRAUBE	
14	81007160/0	1	CAVO ACCELERATORE	CABLE, TROTTLE	CABLE, ACCELERATEUR	KABEL, BESCHLEUNIGER	
15	81000625/0	1	CAVO FRENO MOTORE	CABLE, THREAD MOTOR BRAKE	CABLE FREIN MOTEUR	KABEL, MOTORBREMSE	(B&S CLASSIC/SPRINT/LS/LC TDL 484/TDL 434)
-	81000643/0	1	CAVO FRENO MOTORE	CABLE, THREAD MOTOR BRAKE	CABLE FREIN MOTEUR	KABEL, MOTORBREMSE	(B&S CLASSIC/SPRINT/LS/LC TDL 534)
-	81000633/0	1	CAVO FRENO MOTORE	CABLE, THREAD MOTOR BRAKE	CABLE FREIN MOTEUR	KABEL, MOTORBREMSE	(B&S QUANTUM TDL 434)
-	81000631/0	1	CAVO FRENO MOTORE	CABLE, THREAD MOTOR BRAKE	CABLE FREIN MOTEUR	KABEL, MOTORBREMSE	(B&S QUANTUM/ES45 TDL 484)
-	81000642/0	1	CAVO FRENO MOTORE	CABLE, THREAD MOTOR BRAKE	CABLE FREIN MOTEUR	KABEL, MOTORBREMSE	(B&S QUANTUM/ES45 TDL 534)
-	81000641/0	1	CAVO FRENO MOTORE	CABLE, THREAD MOTOR BRAKE	CABLE FREIN MOTEUR	KABEL, MOTORBREMSE	(HONDA GCV 135/160 TDL 434/TDL 484)
-	81000640/0	1	CAVO FRENO MOTORE	CABLE, THREAD MOTOR BRAKE	CABLE FREIN MOTEUR	KABEL, MOTORBREMSE	(HONDA GCV 135/160 TDL 534)
-	81000629/1	1	CAVO FRENO MOTORE	CABLE, THREAD MOTOR BRAKE	CABLE FREIN MOTEUR	KABEL, MOTORBREMSE	(TECUMSEH TDL 434/TDL 484)
-	81000644/0	1	CAVO FRENO MOTORE	CABLE, THREAD MOTOR BRAKE	CABLE FREIN MOTEUR	KABEL, MOTORBREMSE	(TECUMSEH TDL 534)
16	22450410/1	1	MOLLA DX	R SPRING	RESSORT D	RECHTE FEDER	
17	22600046/2	1	PARASASSI	STONE-GUARD	PARE-PIERRES	PRALLBLECH	
18	22450420/1	1	MOLLA SX	L SPRING	RESSORT G	LINKE FEDER	
19	22517906/1	1	PERNO	PIN	PIVOT	BOLZEN	
20	12728518/0	1	VITE	SCREW	VIS	SCHRAUBE	
21	22806612/0	1	SUPPORTO	SUPPORT	SUPPORT	HALTER	
22	22981467/0	1	PIASTRINA	PLATE	PLAQUETTE	PLATTE	
23	12735105/0	2	VITE	SCREW	VIS	SCHRAUBE	
24	12523040/0	2	ROSETTA	WASHER	RONDELLE	SCHEIBE	
25	12530060/0	1	ROSETTA ELASTICA	ELASTIC WASHER	RONDELLE ELASTIQUE	ELASTISCHE SCHEIBE	
26	12791500/0	1	VITE	SCREW	VIS	SCHRAUBE	
27	22943006/0	1	VITE	SCREW	VIS	SCHRAUBE	
28	81007018/1	1	MANICO, PARTE SUP	HANDLE, UPPER PART	MANCHERON, PARTIE SUPÉRIEURE	HOLM, OBERTEIL	
29	22120152/0	1	CRUSCOTTO GIALLO	DASH BOARD YELLOW	CONSOLE JAUNE	KONSOLE GELBE	
-	22120154/0	1	CRUSCOTTO ROSSO	DASH BOARD RED	CONSOLE ROUGE	KONSOLE ROTE	
-	22120158/0	1	CRUSCOTTO NERO	DASH BOARD BLACK	CONSOLE NOIRE	KONSOLE SCHWARZE	
30	81003291/2	1	LEVA FRENO MOTORE	LEVER, MOTOR BRAKE	LEVIER FREIN MOTEUR	HEBEL, MOTORBREMSE	
31	22291050/0	1	IMPUGNATURA MANICO NERA	HANDGRIP BLACK	POIGNÉE NOIRE	HANDGRIFF SCHWARZER	
-	22291051/0	1	IMPUGNATURA MANICO ROSSA	HANDGRIP RED	POIGNÉE ROUGE	HANDGRIFF RÖTER	
-	22291052/0	1	IMPUGNATURA MANICO GIALLA	HANDGRIP YELLOW	POIGNÉE JAUNE	HANDGRIFF GELBER	
32	81007280/2	1	LEVA, ACCELERATORE	LEVER, THROTTLE	LEVIER, ACCELERATEUR	HEBEL, BESHLEUNIGER	
33	14356744/0	1	ETICHETTA	LABEL	ETIQUETTE	ETIKETTE	(B&S)
-	14356743/0	1	ETICHETTA	LABEL	ETIQUETTE	ETIKETTE	(HONDA)
-	14357646/0	1	ETICHETTA	LABEL	ETIQUETTE	ETIKETTE	(TECUMSEH)
34	22041966/0	2	BUSSOLA	BUSH	DOUILLE	BUCHSE	
35	12154510/0	1	DADO	NUT	ECROU	MUTTER	
36	12728460/0	1	VITE	SCREW	VIS	SCHRAUBE	
37	22038402/0	1	BRONZINA DX	R BUSH	DOUILLE D	RECHTE BUCHSE	
38	22038403/0	1	BRONZINA SX	L BUSH	DOUILLE G	LINKE BUCHSE	



01T.025

Pos.	Code	Q.ty	Descrizione	Description	Description	Beschreibung	Remarks
39	22545142/0	2	PIASTRINA	PLATE	PLAQUETTE	PLATTE	
40	12731350/0	4	VITE	SCREW	VIS	SCHRAUBE	
41	12000930/0	1	ANELLO ELASTICO	SNAP RING	ANNEAU RESSORT	SPRENGRING	
42	81008609/0	1	DOTAZIONE VITERIA CRUSCOTTO	OUTFIT, DASH-BOARD SCREWS	DOTATION VISSERIE CONSOLLE	SATZ, KONSOLE SCHRAUBEN	
43	81008614/2	1	DOTAZIONE VITERIA	OUTFIT, SCREWS	DOTATION VISSERIE	SATZ, SCHRAUBEN	

## VARIANTE REGOLAZIONE MANICO - HANDLE ADJUSTMENT MODIFICATION - MODIFICATION REGLAGE POIGNEE - ÄNDERUNG GRIFFENSTEEL

01T.004

Pos.	Code	Q.ty	Descrizione	Description	Description	Beschreibung	Remarks
51	81006510/0	1	MANICO, PARTE INF	HANDLE, LOWER PART	MANCHERON, PARTIE INFERIEURE	HOLM, UNTERTEIL	
52	22785081/1	2	SUPPORTO ESTERNO	SUPPORT, EXTERNAL	SUPPORT EXTERNE	HALTER, AUßERE	
53	22785082/0	1	SUPPORTO INTERNO DX	SUPPORT, R INTERNAL	SUPPORT INTERNE D	HALTER, INNERE R	
54	22785083/1	1	SUPPORTO INTERNO SX	SUPPORT, L INTERNAL	SUPPORT INTERNE G	HALTER, INNERE L	
56	22551575/0	2	PIASTRINA INTERNA	PLATE, INSIDE	PLAQUETTE INTERNE	PLATTE, INNERE	
57	12793701/0	2	VITE	SCREW	VIS	SCHRAUBE	
58	12155000/0	2	DADO	NUT	ECROU	MUTTER	
59	12521350/0	2	ROSETTA	WASHER	RONDELLE	SCHEIBE	
60	12691810/0	2	VITE	SCREW	VIS	SCHRAUBE	
61	22399803/0	2	MANOPOLINA	KNOB	POIGNÉE	GRIFF	
62	12293202/0	2	DADO	NUT	ECROU	MUTTER	
63	81008623/1	1	DOTAZIONE VITERIA	OUTFIT, SCREWS	DOTATION VISSERIE	SATZ, SCHRAUBEN	

## VARIANTE ACCELERATORE - THROTTLE MODIFICATION - MODIFICATION COMMANDE D'ACCELERATION - ÄNDERUNGEN AUF GASHEBEL

01T.017

Pos.	Code	Q.ty	Descrizione	Description	Description	Beschreibung	Remarks
151	12291000/0	1	DADO	NUT	ECROU	MUTTER	
152	12581500/0	1	GROWER	GROWER	GROWER	FEDERRING	
153	22171005/0	1	DISTANZIALE	SPACER	ENTRETOISE	DISTANZRING	
154	12521360/0	1	ROSETTA	WASHER	RONDELLE	SCHEIBE	
155	12508100/0	1	ROSETTA ELASTICA	SPRING WASHER	RONDELLE ELASTIQUE	ELASTISCHE SCHEIBE	
156	81007279/0	1	LEVA, ACCELERATORE	LEVER, THROTTLE	LEVIER, ACCELERATEUR	HEBEL, BESHLEUNIGER	
157	81007080/0	1	CAVO ACCELERATORE	CABLE, TROTTLE	CABLE, ACCELERATEUR	KABE, BESCHLEUNIGER	
158	12815000/0	1	VITE	SCREW	VIS	SCHRAUBE	
159	14356703/0	1	ETICHETTA	LABEL	ETIQUETTE	ETIKETTE	(B&S)
-	14356702/0	1	ETICHETTA	LABEL	ETIQUETTE	ETIKETTE	(HONDA)
-	14356905/0	1	ETICHETTA	LABEL	ETIQUETTE	ETIKETTE	(TECUMSEH)

## VARIANTE REGIME FISSO - FIXED SPEED MODIFICATION - MODIFICATION POUR MODÈLE À REGIME FIXE - ÄNDERUNGEN FÜR MODELLE MIT FESTEN DRENZ

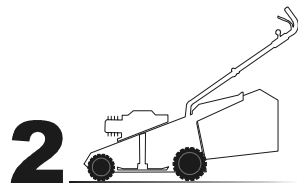
01T.006

Pos.	Code	Q.ty	Descrizione	Description	Description	Beschreibung	Remarks
201	22601000/0	1	PROTEZIONE	PROTECTION	PROTECTION	SCHUTZ	

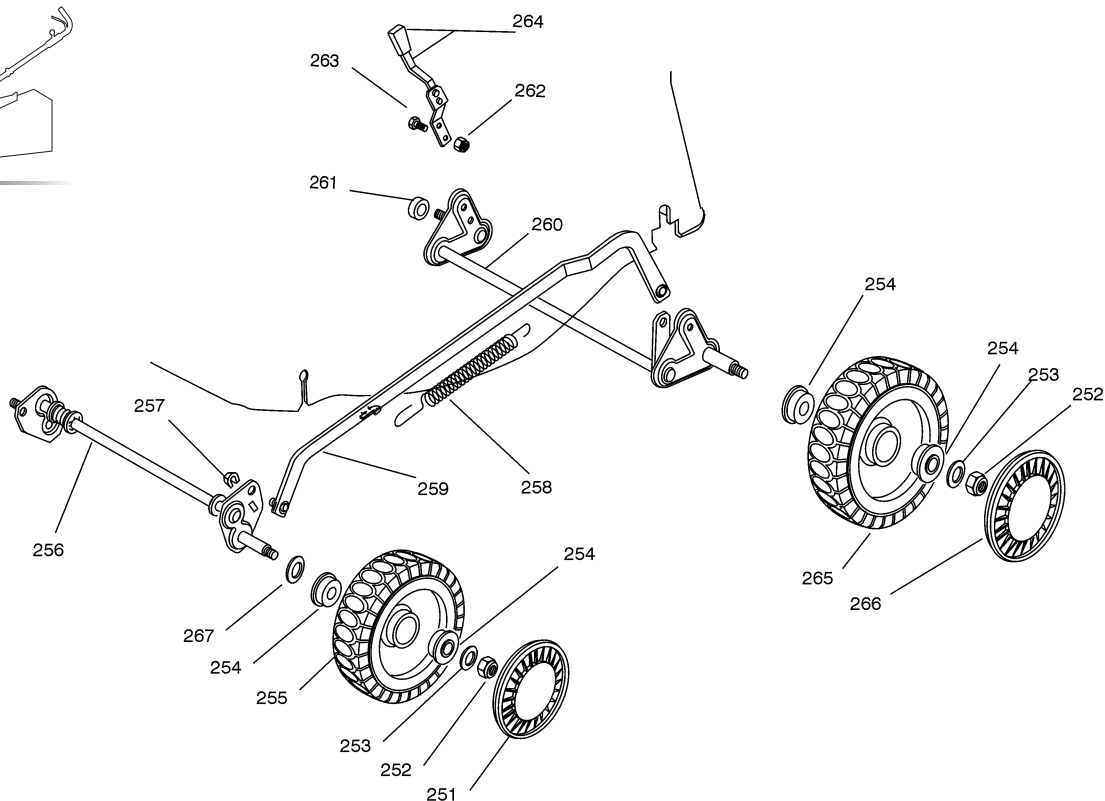
## VARIANTE MULCHING - MULCHING MODIFICATION - MODIFICATION MULCHING - ÄNDERUNGEN MULCHING

01T.025

Pos.	Code	Q.ty	Descrizione	Description	Description	Beschreibung	Remarks
231	22140222/0	1	DEFLETTORE	DEFLECTOR	DEFLECTEUR	DEFLEKTOR	(TDL 534)
232	22060197/0	1	CARTER	PROTECTION	PROTECTION	SCHUTZ	(TDL 534)
233	12728530/0	3	VITE	SCREW	VIS	SCHRAUBE	(TDL 534)
234	22291150/0	1	INSERTO IN GOMMA	RUBBER INSERT	INSERT DE GAOUTCHOUC	GUMMI EINSATZ	(TDL 534)



02D\_012



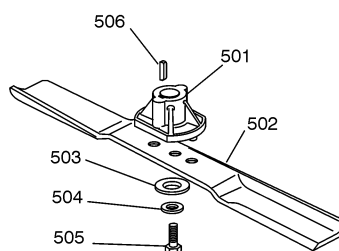
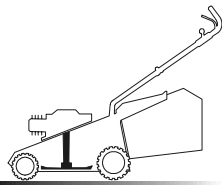
02T.014

Pos.	Code	Q.ty	Descrizione	Description	Description	Beschreibung	Remarks
251	22110282/0	2	COPRIMOZZO BIANCO	HUB CAP WHITE	COUVRE-MOYEU BLANC	RADKAPPE WEIßE	
-	22110288/0	2	COPRIMOZZO GIALLO	HUB CAP YELLOW	COUVRE-MOYEU JAUNE	RADKAPPE GELBE	
-	22110290/0	2	COPRIMOZZO ROSSO	HUB CAP RED	COUVRE-MOYEU ROUGE	RADKAPPE ROTE	
252	12155000/0	4	DADO	NUT	ECROU	MUTTER	
253	12521350/0	4	ROSETTA	WASHER	RONDELLE	SCHEIBE	
254	22122200/0	8	CUSCINETTO	BEARING	COUSSINET	LAGER	
255	81007336/0	2	RUOTA SCOLPITA Ø 170	WHEEL, KNOBBLY Ø 170	ROUE SCULPTEE Ø 170	RAD M. STOLLENPR. Ø 170	
256	81001272/1	1	ASSE RUOTE ANTERIORE	AXLE, FRONT WHEELS	AXE ROUES AVANT	ACHSE, VORDERRAD	(TDL 434)
-	81001274/1	1	ASSE RUOTE ANTERIORE	AXLE, FRONT WHEELS	AXE ROUES AVANT	ACHSE, VORDERRAD	(TDL 484)
-	81001223/1	1	ASSE RUOTE ANTERIORE	AXLE, FRONT WHEELS	AXE ROUES AVANT	ACHSE, VORDERRAD	(TDL 534)
257	12436050/0	2	PIASTRINA	PLATE	PLAQUETTE	PLÄTTCHEN	
258	22446180/0	1	MOLLA	SPRING	RESSORT	FEDER	
259	81001275/0	1	ASTA COMANDO REGOL. ALTEZZA	ROD, HEIGHT ADJUSTMENT CONTROL	TIGE COMMANDE REGLAGE HAUTEUR	STANGE, HÖHEVERSTELLUNG	(TDL 434)
-	81001276/0	1	ASTA COMANDO REGOL. ALTEZZA	ROD, HEIGHT ADJUSTMENT CONTROL	TIGE COMMANDE REGLAGE HAUTEUR	STANGE, HÖHEVERSTELLUNG	(TDL 484)
-	81001264/0	1	ASTA COMANDO REGOL. ALTEZZA	ROD, HEIGHT ADJUSTMENT CONTROL	TIGE COMMANDE REGLAGE HAUTEUR	STANGE, HÖHEVERSTELLUNG	(TDL 534)
260	81001278/0	1	ASSE RUOTE POSTERIORE	AXLE, REAR WHEELS	AXE ROUES ARRIERE	ACHSE, HINTERRAD	
261	22170800/0	1	DISTANZIALE	SPACER	ENTRETOISE	DISTANZRING	
262	12154330/0	2	DADO	NUT	ECROU	MUTTER	
263	12789000/0	2	VITE	SCREW	VIS	SCHRAUBE	
264	81003283/1	1	LEVA REGOLAZIONE ALTEZZA	LEVER, HEIGHT ADJUSTMENT	LEVIER, REGLAGE HAUTEUR	HEBEL, HÖHEVERSTELLUNG	
265	81007337/0	2	RUOTA SCOLPITA Ø 210	WHEEL, KNOBBLY Ø 210	ROUE SCULPTEE Ø 210	RAD M. STOLLENPR. Ø 210	
266	22110281/0	2	COPRIMOZZO BIANCO	HUB CAP WHITE	COUVRE-MOYEU BLANC	RADKAPPE WEIßE	
-	22110287/0	2	COPRIMOZZO GIALLO	HUB CAP YELLOW	COUVRE-MOYEU JAUNE	RADKAPPE GELBE	
-	22110289/0	2	COPRIMOZZO ROSSO	HUB CAP RED	COUVRE-MOYEU ROUGE	RADKAPPE ROTE	
267	12530150/0	4	ROSETTA ELASTICA	ELASTIC WASHER	RONDELLE ELASTIQUE	ELASTISCHE SCHEIBE	



5

05D\_002

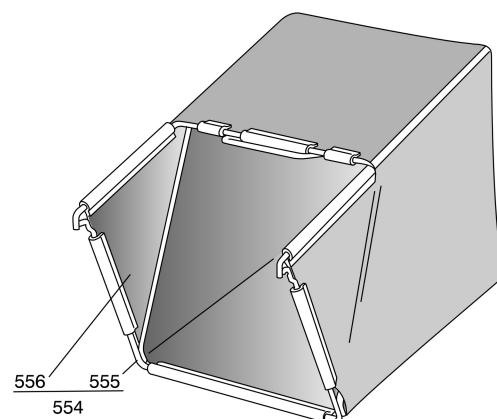
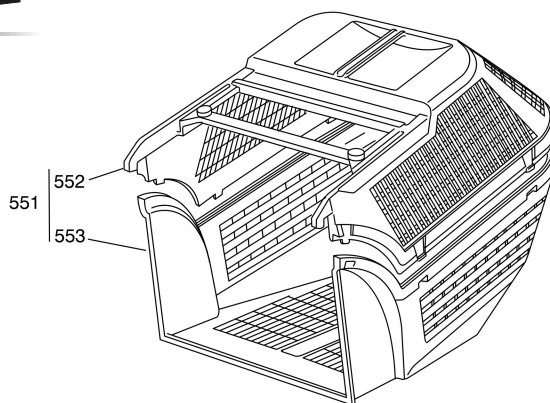
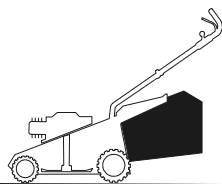


05T.012

Pos.	Code	Q.ty	Descrizione	Description	Description	Beshreibung	Remarks
501	22463012/1	1	MOZZO	HUB	MOYEU	HALTER	
502	81004341/3	1	COLTELLO STANDARD	BLADE STANDARD	LAME STANDARD	MESSER STANDARD	(41 cm)
-	81004396/0	1	COLTELLO ALETTATO	BLADE WINGED	LAME AILETTÉE	MESSER FLÜGEL	(41 cm)
-	81004346/3	1	COLTELLO STANDARD	BLADE STANDARD	LAME STANDARD	MESSER STANDARD	(46 cm)
-	81004397/0	1	COLTELLO ALETTATO	BLADE WINGED	LAME AILETTÉE	MESSER FLÜGEL	(46 cm)
-	81004381/1	1	COLTELLO STANDARD	BLADE STANDARD	LAME STANDARD	MESSER STANDARD	(51 cm)
-	81004398/0	1	COLTELLO ALETTATO	BLADE WINGED	LAME AILETTÉE	MESSER FLÜGEL	(51 cm)
503	22160400/0	1	DISCO ELASTICO	ELASTIC WASHER	RONDELLE ELASTIQUE	ELASTISCHE SCHEIBE	
504	12523080/0	1	ROSETTA	WASHER	RONDELLE	SCHEIBE	
505	12735698/0	1	VITE	SCREW	VIS	SCHRAUBE	
506	12139100/0	1	LINGUETTA	FEATHER	CLAVETTE	KEIL	

6

06D\_002



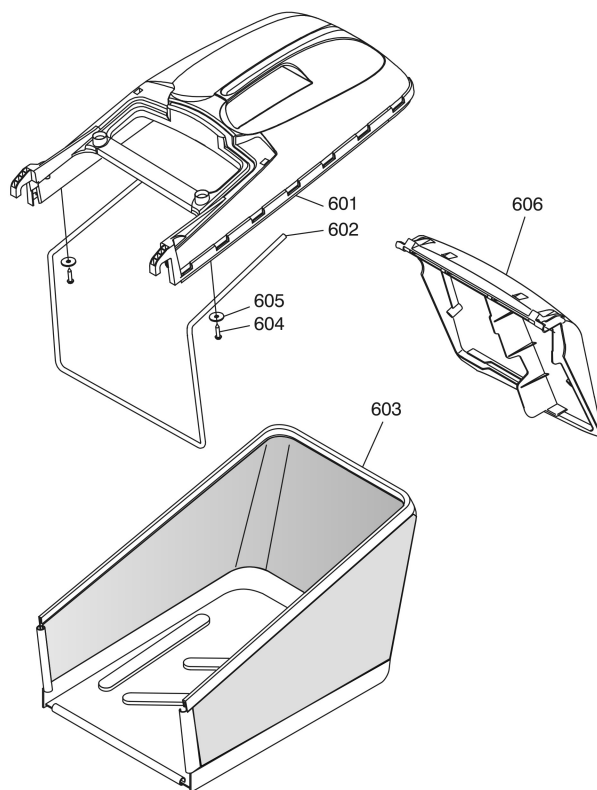
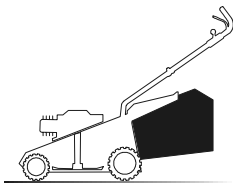
06T.002

Pos.	Code	Q.ty	Descrizione	Description	Description	Beshreibung	Remarks
551	94004000/0	1	SACCO COMPLETO	GRASS-BOX, COMPLETE	BAC COMPLET	KORB, KOMPLETTE	
552	22486073/0	1	SACCO, PARTE SUP	GRASS-BOX, UPPER PART	SAC, PARTIE SUPERIEURE	KORB, OBERTEIL	
553	22486074/0	1	SACCO, PARTE INF	GRASS-BOX, LOWER PART	SAC, PARTIE INFERIEURE	KORB, UNTERTEIL	
554	94005000/0	1	SACCO IN TELA, COMPLETO	GRASSCATCHER, CANVASS COMPLETE	SAC EN TOILE, COMPLETE	SACK, KOMPLETTE	
555	81006418/0	1	TELAIO SACCO	CHASSIS BOX	CHÂSSIS BAC	RAHMEN SACK	
556	81002105/2	1	SACCO, TELA	BOX, FABRIC	SAC, TOILE	SACK, TUCK	



6

06D\_008



06T.008

Pos.	Code	Q.ty	Descrizione	Description	Description	Beshreibung	Remarks
601	22486101/0	1	SACCO, PARTE SUP	GRASS-BOX, UPPER PART	SAC, PARTIE SUPERIEURE	KORB, OBERTEIL	
602	22608525/0	1	RINFORZO INF	STIFFENING LOWER	RÉNFORCEMENT INF	VERSTÄRKUNG UNTERE	
603	81002211/0	1	SACCO, TELA	BOX, FABRIC	SAC, TOILE	SACK, TUCK	
604	12728680/0	2	VITE	SCREW	VIS	SCHRAUBE	
605	12523050/0	2	ROSETTA	WASHER	RONDELLE	SCHEIBE	
606	22600063/1	1	PARASASSI	STONE-GUARD	PARE-PIERRES	PRALLBLECH	