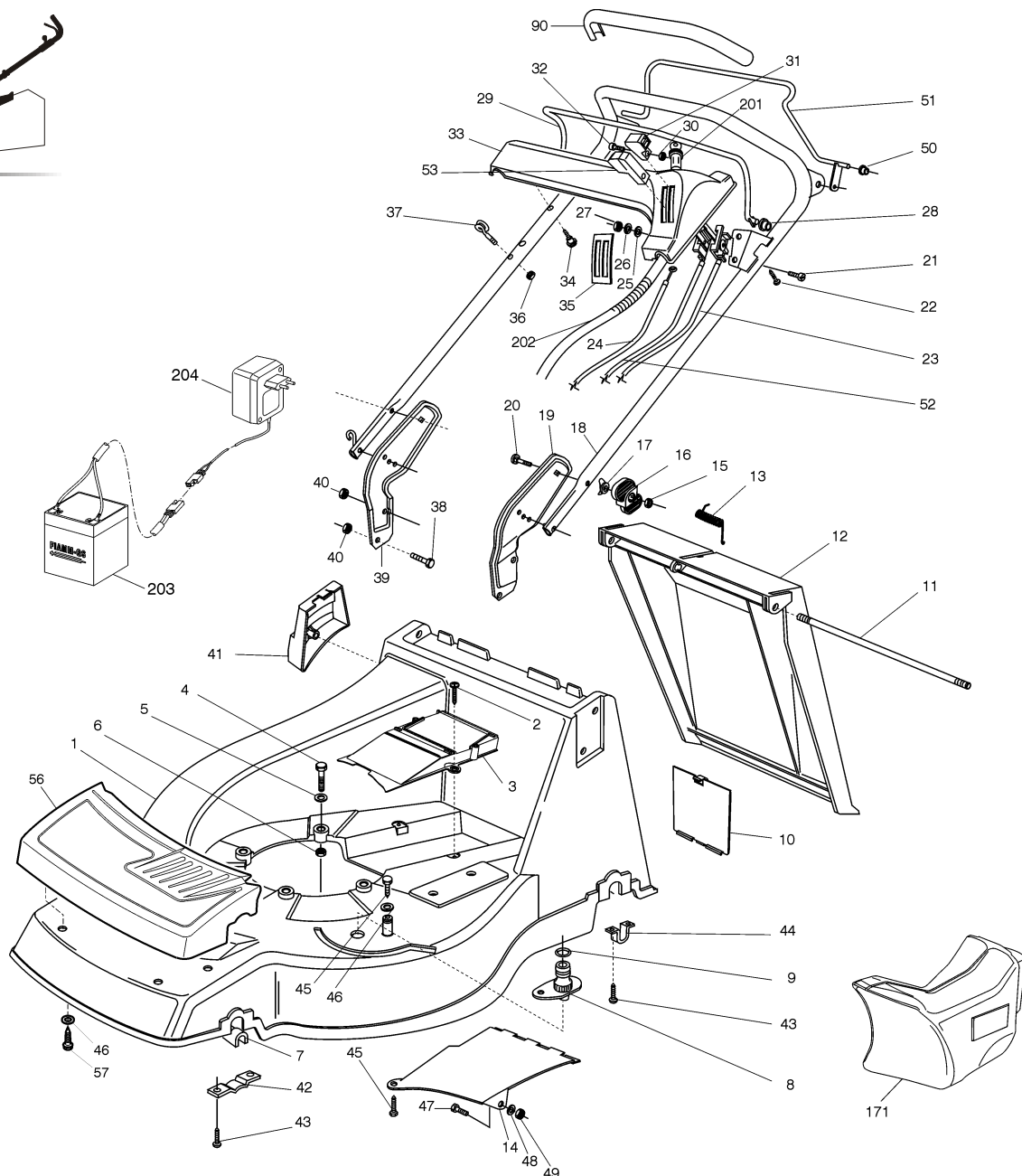


01D_NP534TR3S



01T.050

| Pos. | Code | Q.ty | Descrizione | Description | Description | Beschreibung | Remarks |
|------|------------|------|--|--------------------------------------|------------------------------------|--|---------|
| 1 | 81001651/0 | 1 | CHASSIS ROSSO | DECK RED | CHÂSSIS ROUGE | GEHÄUSE ROTES | |
| - | 81001653/0 | 1 | CHASSIS GIALLO | DECK YELLOW | CHÂSSIS AUNE | GEHÄUSE GELBES | |
| - | 81001655/0 | 1 | CHASSIS VERDE | DECK GREEN | CHÂSSIS VERT | GEHÄUSE GRÜNES | |
| - | 81001843/0 | 1 | CHASSIS ROSSO CON FORI PER MASCHERINA | DECK RED WITH HOLES FOR HALF-MASK | CHÂSSIS ROUGE AVEC TROUS POUR LOUP | GEHÄUSE ROT MIT LOCHEN FÜR KLEINE MASKE | |
| - | 81001844/0 | 1 | CHASSIS GIALLO CON FORI PER MASCHERINA | DECK YELLOW WITH HOLES FOR HALF-MASK | CHÂSSIS JAUNE AVEC TROUS POUR LOUP | GEHÄUSE GELB MIT LOCHEN FÜR KLEINE MASKE | |
| - | 81001845/0 | 1 | CHASSIS VERDE CON FORI PER MASCHERINA | DECK GREEN WITH HOLES FOR HALF-MASK | CHÂSSIS VERT AVEC TROUS POUR LOUP | GEHÄUSE GRÜN MIT LOCHEN FÜR KLEINE MASKE | |
| 2 | 12728522/0 | 2 | VITE | SCREW | VIS | SCHRAUBE | |
| 3 | 22060200/0 | 1 | CARTER CINGHIA | PROTECTION, BELT | PROTECTION COURROIRE | SCHUTZ, RIEMEN | |
| 4 | 12691800/0 | 3/2 | VITE | SCREW | VIS | SCHRAUBE | |
| - | 12692080/0 | 0/1 | VITE | SCREW | VIS | SCHRAUBE | |
| 5 | 12521350/0 | 3 | RONDELLA | WASHER | RONDELLE | SCHEIBE | |
| 6 | 12155000/0 | 3 | DADO | NUT | ECROU | MUTTER | |
| 7 | 22038400/1 | 2 | BRONZINA | BRASS | DOUILLE | BUCHSE | |



01T.050

| Pos. | Code | Q.ty | Descrizione | Description | Description | Beshreibung | Remarks |
|------|------------|------|-------------------------|----------------------------|---------------------------------|----------------------|----------------------|
| 8 | 22034000/0 | 1 | ATTACCO ACQUA LAVAGGIO | WASHING CONNECTION | ATTAQUE LAVAGE | WASCHENVERBINDUNG | |
| 9 | 19035000/0 | 1 | ANELLO OR | OR RING | BAGUE OR | RING OR | |
| 10 | 22595352/0 | 1 | PORTINA CHIUSURA | INSPECTION DOOR | VOYANT DE VISITE | ABDECKPLATTE | |
| 11 | 22517856/0 | 1 | PERNO | PIN | PIVOT | BOLZEN | |
| 12 | 22600023/2 | 1 | PARASASSI | STONE-GUARD | PARE-PIERRES | PRALLBLECH | |
| 13 | 22450270/0 | 1 | MOLLA | SPRING | RESSORT | FEDER | |
| 14 | 22108205/0 | 1 | CONVOGLIATORE | CONVEYOR | CONVOYEUR | KONVEYOR | |
| 15 | 12293200/0 | 2 | DADO | NUT | ECROU | MUTTER | |
| 16 | 22399803/0 | 2 | MANOPOLINA | KNOB | POIGNÉE | GRIFF | |
| 17 | 22680006/1 | 2 | RONDELLA | WASHER | RONDELLE | SCHEIBE | |
| 18 | 81007028/1 | 1 | MANICO, PARTE SUP | HANDLE, UPPER PART | MANCHERON, PARTIE SUPERIEURE | HOLM, OBERTEIL | |
| 19 | 22778397/0 | 1 | STAFFA SX | BRACKET, L | BRIDE G | PRATZE, LINKE | |
| 20 | 12819120/0 | 2 | VITE | SCREW | VIS | SCHRAUBE | |
| 21 | 12788910/0 | 2 | VITE | SCREW | VIS | SCHRAUBE | |
| 22 | 12728460/0 | 1 | VITE | SCREW | VIS | SCHRAUBE | |
| 23 | 81007091/0 | 1 | CAVO ACCELERATORE | CABLE, TROTTLE | CABLE, ACCELERATEUR | KABLE, BESCHLEUNIGER | (B&S) |
| - | 81007092/0 | 1 | CAVO ACCELERATORE | CABLE, TROTTLE | CABLE, ACCELERATEUR | KABLE, BESCHLEUNIGER | (TECUMSEH-HONDA) |
| 24 | 81000634/0 | 1 | CAVO FRENO MOTORE | CABLE, THREAD MOTOR BRAKE | CABLE FREIN MOTEUR | KABEL, MOTORBREMSE | (B&S QUANTUM) |
| - | 81000641/0 | 1 | CAVO FRENO MOTORE | CABLE, THREAD MOTOR BRAKE | CABLE FREIN MOTEUR | KABEL, MOTORBREMSE | (HONDA NP 534 TR 3S) |
| - | 81000629/1 | 1 | CAVO FRENO MOTORE | CABLE, THREAD MOTOR BRAKE | CABLE FREIN MOTEUR | KABEL, MOTORBREMSE | (TECUMSEH) |
| 25 | 12523020/0 | 2 | RONDELLA | WASHER | RONDELLE | SCHEIBE | |
| 26 | 12581500/0 | 2 | GROWER | GROWER | GROWER | FEDERRING | |
| 27 | 12291000/0 | 2 | DADO | NUT | ECROU | MUTTER | |
| 28 | 22041966/0 | 2 | BUSSOLA | BUSH | DOUILLE | BUCHSE | |
| 29 | 81003291/2 | 1 | LEVA FRENO MOTORE | LEVER, MOTOR BRAKE | LEVIER FREIN MOTEUR | HEBEL, MOTORBREMSE | |
| 30 | 12290800/0 | 2 | DADO | NUT | ECROU | MUTTER | |
| 31 | 22399801/0 | 1 | MANOPOLINA | KNOB | POIGNÉE | GRIFF | |
| 32 | 12726388/0 | 2 | VITE | SCREW | VIS | SCHRAUBE | |
| 33 | 22120148/0 | 1 | CRUSCOTTO GIALLO | DASH BOARD YELLOW | CONSOLE JAUNE | KONSOLE GELBE | |
| - | 22120150/0 | 1 | CRUSCOTTO ROSSO | DASH BOARD RED | CONSOLE ROUGE | KONSOLE ROTE | |
| - | 22120164/0 | 1 | CRUSCOTTO NERO | DASH BOARD BLACK | CONSOLE NOIRE | KONSOLE SCHWARZE | |
| 34 | 22943006/0 | 1 | VITE | SCREW | VIS | SCHRAUBE | |
| 35 | 14356795/0 | 1 | ETICHETTA | LABEL | ETIQUETTE | ETIKETTE | (B&S) |
| - | 14356797/0 | 1 | ETICHETTA | LABEL | ETIQUETTE | ETIKETTE | (HONDA) |
| - | 14357651/0 | 1 | ETICHETTA | LABEL | ETIQUETTE | ETIKETTE | (TECUMSEH) |
| 36 | 12154330/0 | 1 | DADO | NUT | ECROU | MUTTER | |
| 37 | 22430309/0 | 1 | MOLLA GUIDA | GUIDE SPRING | RESSORT DE GUIDE | FEDER FÜHRER | |
| 38 | 12793301/0 | 2 | VITE | SCREW | VIS | SCHRAUBE | |
| 39 | 22778396/0 | 1 | STAFFA DX | BRACKET, R | BRIDE D | PRATZE, RECHTE | |
| 40 | 12155000/0 | 4 | DADO | NUT | ECROU | MUTTER | |
| 41 | 22601001/0 | 1 | PROTEZIONE | PROTECTION | PROTECTION | SCHUTZ | |
| 42 | 22545156/0 | 2 | PIASTRINA | PLATE | PLAQUETTE | PLATTE | |
| 43 | 12731350/0 | 8 | VITE | SCREW | VIS | SCHRAUBE | |
| 44 | 22545152/0 | 2 | PIASTRINA | PLATE | PLAQUETTE | PLATTE | |
| 45 | 12729600/0 | 2 | VITE | SCREW | VIS | SCHRAUBE | |
| 46 | 12523040/0 | 5 | RONDELLA | WASHER | RONDELLE | SCHEIBE | |
| 47 | 12789000/0 | 1 | VITE | SCREW | VIS | SCHRAUBE | |
| 48 | 12523020/0 | 1 | RONDELLA | WASHER | RONDELLE | SCHEIBE | |
| 49 | 12154330/0 | 1 | DADO | NUT | ECROU | MUTTER | |
| 50 | 22041965/0 | 2 | BUSSOLA | BUSH | DOUILLE | BUCHSE | |
| 51 | 81003288/1 | 1 | LEVA TRAZIONE | LEVER, DRIVING | LEVIER TRACTION | HEBEL, ANTRIEB | |
| 52 | 81007099/0 | 1 | CAVO COMANDO MARCE | CABLE, SPEED DRIVE CONTROL | CABLE, COMM. CHANGEMENT VITESSE | KABEL, GÄNGESCHALTUN | |
| 53 | 22399802/0 | 1 | MANOPOLINA | KNOB | POIGNÉE | GRIFF | |
| 55 | 22291050/0 | 1 | IMPUGNATURA MANICO NERA | HANDGRIP BLACK | POIGNÉE NOIRE | HANDGRIFF SCHWARZER | |



01T.050

| Pos. | Code | Q.ty | Descrizione | Description | Description | Beschreibung | Remarks |
|------|------------|------|-----------------------------|---------------------------|----------------------------|--------------------------|---------|
| 55 | 22291051/0 | 1 | IMPUGNATURA MANICO ROSSA | HANDGRIP RED | POIGNÉE ROUGE | HANDGRIFF RÖTER | |
| - | 22291052/0 | 1 | IMPUGNATURA MANICO GIALLA | HANDGRIP YELLOW | POIGNÉE JAUNE | HANDGRIFF GELBER | |
| 56 | 22226050/0 | 1 | MASCHERINA | MASK | MESQUE | MASKE | |
| 57 | 12735402/0 | 4 | VITE | SCREW | VIS | SCHRAUBE | |
| — | 81008498/0 | 1 | DOTAZIONE VITERIA CRUSCOTTO | OUTFIT, DASH-BOARD SCREWS | DOTATION VISSERIE CONSOLLE | SATZ, KONSOLLE SCHRAUBEN | |
| — | 81008610/0 | 1 | DOTAZIONE VITERIA | OUTFIT, SCREWS | DOTATION VISSERIE | SATZ, SCHRAUBEN | |

VARIANTE MULCHING - MULCHING MODIFICATION - MODIFICATION MULCHING - ÄNDERUNGEN MULCHING

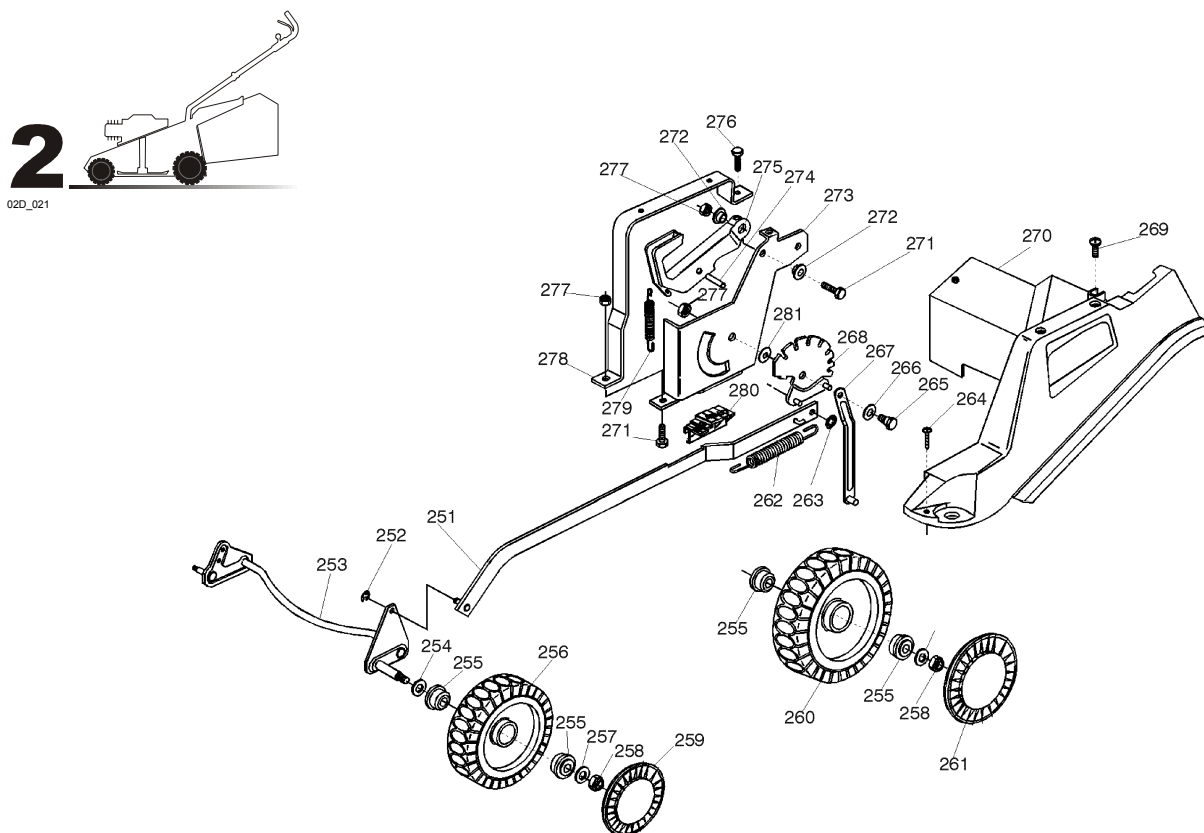
01T.050

| Pos. | Code | Q.ty | Descrizione | Description | Description | Beschreibung | Remarks |
|------|------------|------|-------------|-------------|-------------|--------------|---------|
| 171 | 22140224/0 | 1 | TAPPO | CAP | BOUCHON | GUMMISTOPFEN | |

VARIANTI PER AVVIAMENTO ELETTRICO - PARTS FOR ELECTIC START - COMPOSANTS POUR DÉMARRAGE ÉLECTRIQUE - ELEKTROSTART BESTANDTEILE

01T.050

| Pos. | Code | Q.ty | Descrizione | Description | Description | Beschreibung | Remarks |
|------|------------|------|-----------------|-----------------|----------------------|--------------|------------|
| 201 | 18450050/0 | 1 | INTERRUTTORE | SWITCH | INTERRUPTEUR | SCHALTER | |
| 202 | 18204192/1 | 1 | CAVO AVVIAMENTO | CABLE, START | CABLE DÉMARRAGE | KABEL, START | (B&S) |
| - | 18204190/3 | 1 | CAVO AVVIAMENTO | CABLE, START | CABLE DÉMARRAGE | KABEL, START | (TECUMSEH) |
| 203 | 18120052/0 | 1 | BATTERIA | BATTERY | BATTERIE | BATTERIE | |
| 204 | 18204120/0 | 1 | CARICA BATTERIA | BATTERY CHARGER | CHARGEUR DE BATTERIE | LADGERÄT | |



02T.029

| Pos. | Code | Q.ty | Descrizione | Description | Description | Beschreibung | Remarks |
|------|------------|------|-----------------------------|--------------------------------|-------------------------------|-------------------------|---------|
| 251 | 81001134/0 | 1 | ASTA COMANDO REGOL. ALTEZZA | ROD, HEIGHT ADJUSTMENT CONTROL | TIGE COMMANDE REGLAGE HAUTEUR | STANGE, HÖHEVERSTELLUNG | |

**GLOBAL GARDEN PRODUCTS**

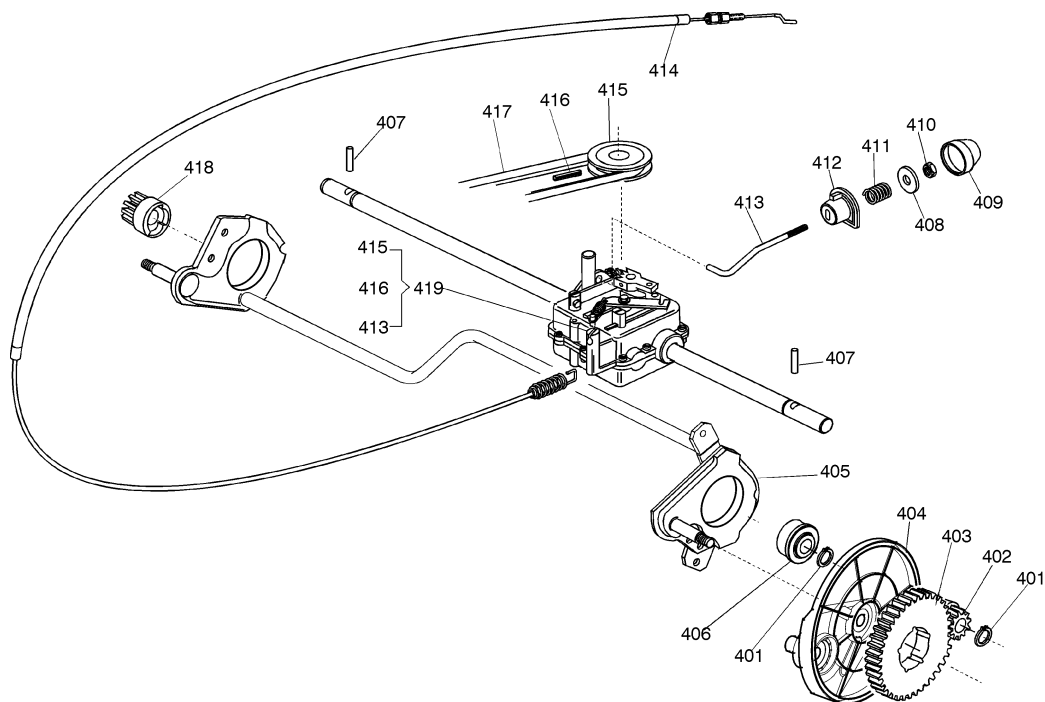
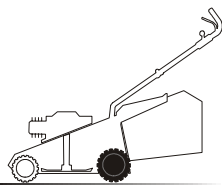
02T.029

| Pos. | Code | Q.ty | Descrizione | Description | Description | Beshreibung | Remarks |
|------|------------|------|------------------------------|--------------------------------|-------------------------------|-------------------------|---------------------|
| 251 | 81001136/0 | 1 | ASTA COMANDO REGOL. ALTEZZA | ROD, HEIGHT ADJUSTMENT CONTROL | TIGE COMMANDE REGLAGE HAUTEUR | STANGE, HÖHEVERSTELLUNG | (HONDA GCV 135/160) |
| 252 | 12000930/0 | 2 | ANELLO ELASTICO | SNAP RING | ANNEAU RESSORT | SPRENGRING | |
| 253 | 81002801/1 | 1 | ASSE RUOTE ANTERIORE | AXLE, FRONT WHEELS | AXE ROUES AVANT | ACHSE, VORDERRAD | |
| 254 | 12530150/0 | 2 | RONDELLA ELASTICA | ELASTIC WASHER | RONDELLE ELASTIQUE | ELASTISCHE SCHEIBE | |
| 255 | 22122200/0 | 8 | CUSCINETTO | BEARING | COUSSINET | LAGER | |
| 256 | 81007317/0 | 2 | RUOTA Ø 170 | WHEEL Ø 170 | ROUE Ø 170 | RAD. Ø 170 | |
| 257 | 12521350/0 | 2 | RONDELLA | WASHER | RONDELLE | SCHEIBE | |
| 258 | 12155000/0 | 4 | DADO | NUT | ECROU | MUTTER | |
| 259 | 22110282/0 | 2 | COPRIMOZZO BIANCO | HUB CAP WHITE | COUVRE-MOYEU BLANC | RADKAPPE WEIßE | |
| - | 22110288/0 | 2 | COPRIMOZZO GIALLO | HUB CAP YELLOW | COUVRE-MOYEU JAUNE | RADKAPPE GELBE | |
| - | 22110290/0 | 2 | COPRIMOZZO ROSSO | HUB CAP RED | COUVRE-MOYEU ROUGE | RADKAPPE ROTE | |
| 260 | 81007318/1 | 2 | RUOTA Ø 210 | WHEEL Ø 210 | ROUE Ø 210 | RAD. Ø 210 | |
| 261 | 22110281/0 | 2 | COPRIMOZZO BIANCO | HUB CAP WHITE | COUVRE-MOYEU BLANC | RADKAPPE WEIßE | |
| - | 22110287/0 | 2 | COPRIMOZZO GIALLO | HUB CAP YELLOW | COUVRE-MOYEU JAUNE | RADKAPPE GELBE | |
| - | 22110289/0 | 2 | COPRIMOZZO ROSSO | HUB CAP RED | COUVRE-MOYEU ROUGE | RADKAPPE ROTE | |
| 262 | 22446180/0 | 1 | MOLLA | SPRING | RESSORT | FEDER | |
| 263 | 12604899/0 | 2 | ANELLO ELASTICO | ELASTIC RING | ANNEAU ELASTIQUE | ELASTISCHER RING | |
| 264 | 12728519/0 | 3 | VITE | SCREW | VIS | SCHRAUBE | |
| 265 | 22529662/0 | 1 | PERNO FULCRO | FULCRUM PIN | PIVOT | BOLZEN | |
| 266 | 22672151/0 | 1 | RONDELLA | WASHER | RONDELLE | SCHEIBE | |
| 267 | 81001269/0 | 1 | ASTA ASSE POSTERIORE | ROD, REAR WHEELS AXLE | TIGE, AXE ROUE ARRIERES | STANGE, HINTERRADACHSE | |
| 268 | 81000479/0 | 1 | SETTORE DI REGOLAZIONE | SECTOR, HEIGHT ADJUSTMENT | SECTEUR REGLAGE | SEKTOR, HÖHEVERSTELLUNG | |
| 269 | 12728520/0 | 1 | VITE | SCREW | VIS | SCHRAUBE | |
| 270 | 22060144/1 | 1 | CARTER REGOLAZIONE | DECK, ADJUSTMENT | CHÂSSIS REGLAGE | GEHÄUSE VERSTELLUNG | |
| 271 | 12793301/0 | 3 | VITE | SCREW | VIS | SCHRAUBE | |
| 272 | 25038002/1 | 2 | BUSSOLA | BUSH | DOUILLE | BUCHSE | |
| 273 | 22785109/0 | 1 | SUPPORTO REGOLAZIONE ALTEZZA | SUPPORT, HEIGHT ADJUSTMENT | SUPPORT REGLAGE | HALTER, HÖHEVERSTELLUNG | |
| 274 | 12622640/0 | 1 | SPINA | PIN | GOUPILLE | STIFT | |
| 275 | 22393611/1 | 1 | MANIGLIA | HANDLE | POIGNÉE | GRIFF | |
| 276 | 12729600/0 | 1 | VITE | SCREW | VIS | SCHRAUBE | |
| 277 | 12293201/0 | 3 | DADO | NUT | ECROU | MUTTER | |
| 278 | 22785113/0 | 1 | SUPPORTO MANIGLIA | SUPPORT, HANDLE | SUPPORT POIGNÉE | HALTER, GRIFF | |
| 279 | 22446175/0 | 1 | MOLLA | SPRING | RESSORT | FEDER | |
| 280 | 22570200/0 | 1 | PLACCHETTA POSIZIONI | PLATE, CUTTING POSITIONS | PLAQUETTE REGLAGE | PLATTE, HÖHEVERSTELLUNG | |
| 281 | 22672152/0 | 1 | RONDELLA | WASHER | RONDELLE | SCHEIBE | |



3

03D_007



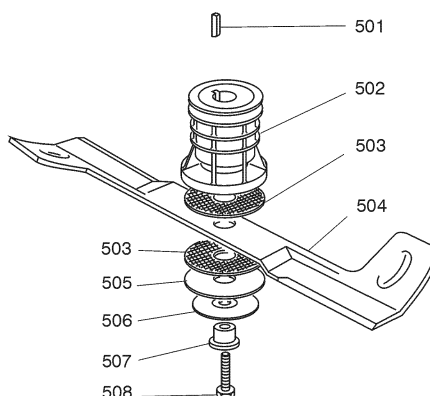
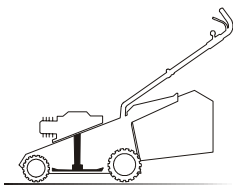
03T.013

| Pos. | Code | Q.ty | Descrizione | Description | Description | Beschreibung | Remarks |
|------|------------|------|-----------------------|-------------------|--------------------------|-------------------|------------|
| 401 | 12608600/0 | 4 | SEEGER | SEEGER | SEEGER | SEEGER | |
| 402 | 22570120/1 | 1 | PIGNONE SX | PINION L | PIGNON G | RITZEL LINKES | |
| 403 | 22120105/1 | 2 | CORONA | RING GEAR | COURONNE | KRANZ | |
| 404 | 22600091/0 | 2 | PROT. RUOTE | PROTECTION, WHEEL | PROTECTION ROUE | SCHÜTZ, RÄDER | |
| 405 | 81002811/0 | 1 | ASSE RUOTE POSTERIORE | AXLE, REAR WHEELS | AXE ROUES ARRIERE | ACHSE, HINTERRAD | |
| 406 | 19216035/0 | 2 | CUSCINETTO | BEARING | COUSSINET | LAGER | |
| 407 | 22753000/0 | 2 | SPINA | PIN | GOUPILLE | STIFT | |
| 408 | 22680009/0 | 1 | RONDELLA | WASHER | RONDELLE | SCHEIBE | |
| 409 | 22110230/0 | 1 | TAPPO | CAP | BOUCHON | GUMMISTOPFEN | |
| 410 | 12154510/0 | 1 | DADO | NUT | ECROU | MUTTER | |
| 411 | 22450063/0 | 1 | MOLLA | SPRING | RESSORT | FEDER | |
| 412 | 22041957/1 | 1 | BUSSOLA | BUSH | DOUILLE | BUCHSE | |
| 413 | 22033282/1 | 1 | ASTA REGOLAZIONE | ADJUSTMENT ROD | TIGE REGLAGE | VERSTELLUNGSTANGE | |
| 414 | 81001139/0 | 1 | CAVO COMANDO TRAZIONE | CABLE, REAR DRIVE | CÂBLE, COMMANDE TRACTION | KABEL, ANTRIEB | |
| 415 | 22601908/0 | 1 | PULEGGIA | PULLEY | POULIE | RIEMENSCHLEIBE | |
| 416 | 12645705/0 | 1 | SPINA | PIN | GOUPILLE | STIFT | |
| 417 | 35064197/0 | 1 | CINGHIA | BELT | COURROIRE | RIEMEN | (Z LP 885) |
| 418 | 22570110/1 | 1 | PIGNONE DX | PINION R | PIGNON D | RITZEL RECHTES | |
| 419 | 81003075/0 | 1 | GRUPPO TRAZIONE | GEAR BOX | GROUPE TRACTION | ANTRIEB | |



5

05D_005

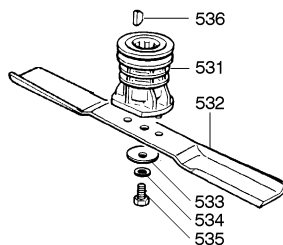
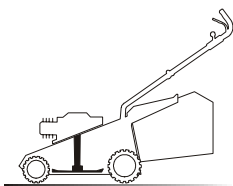


05T.020

| Pos. | Code | Q.ty | Descrizione | Description | Description | Beshreibung | Remarks |
|------|------------|------|-------------------|---------------|-------------------|------------------|---------|
| 501 | 12139100/0 | 1 | LINGUETTA | FEATHER | CLAVETTE | KEIL | |
| 502 | 22465611/0 | 1 | MOZZO | HUB | MOYEU | HALTER | |
| 503 | 22672110/1 | 2 | RONDELLA FRIZIONE | CLUTCH WASHER | RONDELLE FRICTION | KUPPLUNGSscheIBE | |
| 504 | 81004398/0 | 1 | COLTELLO ALETTATO | BLADE WINGED | LAME AILETTÉE | MESSER FLÜGEL | |
| 505 | 12508120/0 | 1 | MOLLA A TAZZA | CUPPED SPRING | RESSORT | TELLER FEDER | |
| 506 | 22672105/0 | 1 | RONDELLA | WASHER | RONDELLE | SCHEIBE | |
| 507 | 22041940/0 | 1 | BUSSOLA FRIZIONE | CLUTCH BUSH | DOUILLE FRICTION | KUPPLUNGSScheIBE | |
| 508 | 12736850/0 | 1 | VITE | SCREW | VIS | SCHRAUBE | |

5

05D_022



VARIANTE MULCHING - MULCHING MODIFICATION - MODIFICATION MULCHING - ÄNDERUNGEN MULCHING

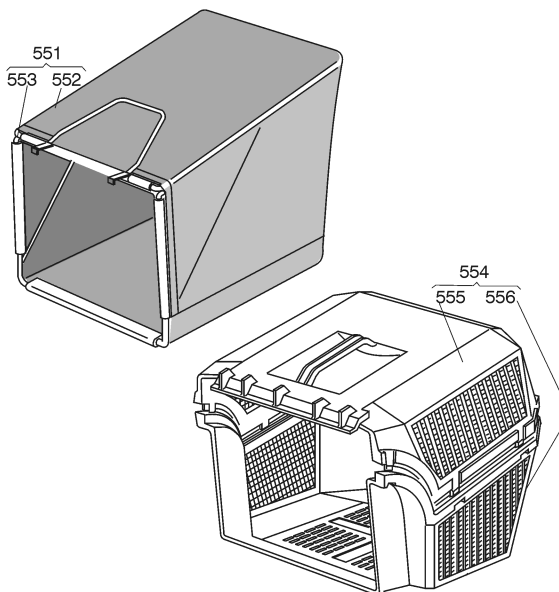
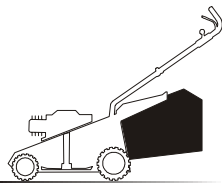
05T.025

| Pos. | Code | Q.ty | Descrizione | Description | Description | Beshreibung | Remarks |
|------|------------|------|--------------------|-----------------|--------------------|--------------------|---------|
| 531 | 22465607/0 | 1 | MOZZO CON PULEGGIA | HUB WITH PULLEY | MOYEU AVEC POULIE | NABE MIT SCHEIBE | |
| 532 | 81004381/1 | 1 | COLTELLO STANDARD | BLADE STANDARD | LAME STANDARD | MESSER STANDARD | |
| 533 | 22160400/0 | 1 | DISCO ELASTICO | ELASTIC WASHER | RONDELLE ELASTIQUE | ELASTISCHE SCHEIBE | |
| 534 | 12523080/0 | 1 | RONDELLA | WASHER | RONDELLE | SCHEIBE | |
| 535 | 12735698/0 | 1 | VITE | SCREW | VIS | SCHRAUBE | |
| 536 | 12139100/0 | 1 | LINGUETTA | FEATHER | CLAVETTE | KEIL | |



6

06D_004

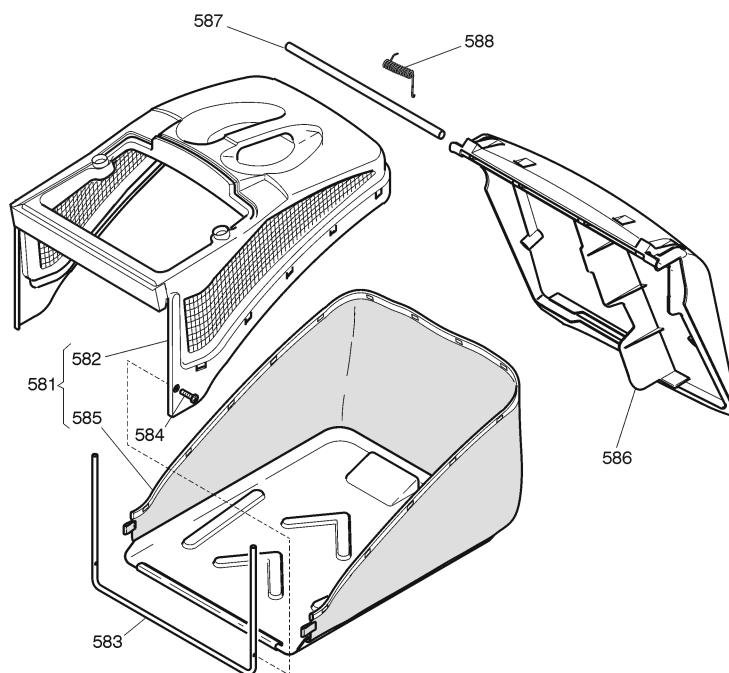
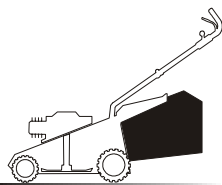


06T.005

| Pos. | Code | Q.ty | Descrizione | Description | Description | Beshreibung | Remarks |
|------|------------|------|-------------------------|--------------------------------|------------------------|-----------------|---------|
| 551 | 96400000/0 | 1 | SACCO IN TELA, COMPLETO | GRASSCATCHER, CANVASS COMPLETE | SAC EN TOILE, COMPLETE | SACK, KOMPLETTE | |
| 552 | 81002124/1 | 1 | SACCO, TELA | BOX, FABRIC | SAC, TOILE | SACK, TUCK | |
| 553 | 81006430/0 | 1 | TELAIO SACCO | CHASSIS BOX | CHÄSSIS BAC | RAHMEN SACK | |
| 554 | 96500000/0 | 1 | SACCO, COMPLETO | GRASSCATCHER, COMPLETE | SAC, COMPLETE | SACK, KOMPLETTE | |
| 555 | 22486065/0 | 1 | SACCO, PARTE SUP | GRASS-BOX, UPPER PART | SAC, PARTIE SUPERIEURE | KORB, OBERTEIL | |
| 556 | 22486064/0 | 1 | SACCO, PARTE INF | GRASS-BOX, LOWER PART | SAC, PARTIE INFERIEURE | KORB, UNTERTEIL | |

6

06D_010



06T.006

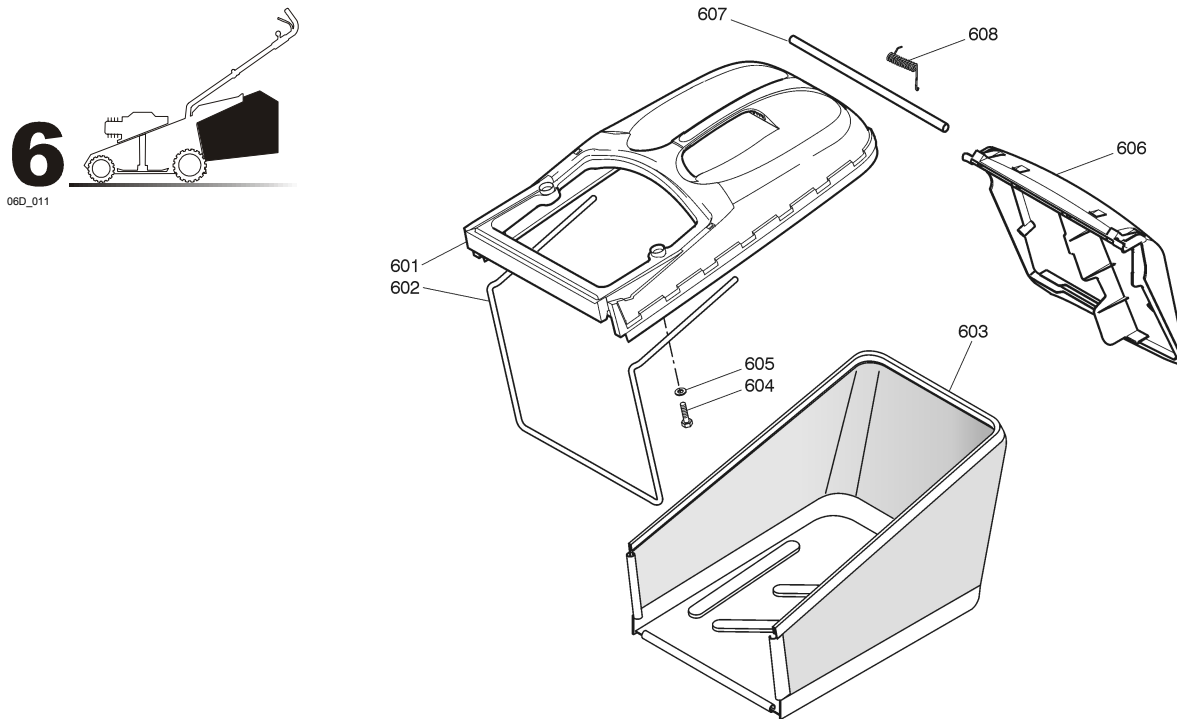
| Pos. | Code | Q.ty | Descrizione | Description | Description | Beshreibung | Remarks |
|------|------------|------|------------------|-----------------------|------------------------|--------------------|---------|
| 581 | 92140000/1 | 1 | SACCO COMPLETO | GRASS-BOX, COMPLETE | BAC COMPLET | KORB, KOMPLETTE | |
| 582 | 22486094/0 | 1 | SACCO, PARTE SUP | GRASS-BOX, UPPER PART | SAC, PARTIE SUPERIEURE | KORB, OBERTEIL | |
| 583 | 22608524/0 | 1 | RINFORZO INF | STIFFENING LOWER | RÉNFORCEMENT INF | VERSTÄRKUNG UNTERE | |
| 584 | 12728445/0 | 2 | VITE | SCREW | VIS | SCHRAUBE | |
| 585 | 81002196/0 | 1 | SACCO, TELA | BOX, FABRIC | SAC, TOILE | SACK, TUCK | |



GLOBAL GARDEN PRODUCTS

06T.006

| Pos. | Code | Q.ty | Descrizione | Description | Description | Beshreibung | Remarks |
|------|------------|------|-------------|-------------|--------------|-------------|---------|
| 586 | 22600066/2 | 1 | PARASASSI | STONE-GUARD | PARE-PIERRES | PRALLBLECH | |
| 587 | 22517856/0 | 1 | PERNO | PIN | PIVOT | BOLZEN | |
| 588 | 22451000/0 | 1 | MOLLA | SPRING | RESSORT | FEDER | |



06T.011

| Pos. | Code | Q.ty | Descrizione | Description | Description | Beshreibung | Remarks |
|------|------------|------|------------------|-----------------------|------------------------|--------------------|---------|
| 601 | 22486102/0 | 1 | SACCO, PARTE SUP | GRASS-BOX, UPPER PART | SAC, PARTIE SUPERIEURE | KORB, OBERTEIL | |
| 602 | 22608526/0 | 1 | RINFORZO INF | STIFFENING LOWER | RÉNFORCEMENT INF | VERSTÄRKUNG UNTERE | |
| 603 | 81002212/0 | 1 | SACCO, TELA | BOX, FABRIC | SAC, TOILE | SACK, TUCK | |
| 604 | 12728680/0 | 2 | VITE | SCREW | VIS | SCHRAUBE | |
| 605 | 12523050/0 | 2 | RONDELLA | WASHER | RONDELLE | SCHEIBE | |
| 606 | 22600066/2 | 1 | PARASASSI | STONE-GUARD | PARE-PIERRES | PRALLBLECH | |
| 607 | 22517857/0 | 1 | PERNO | PIN | PIVOT | BOLZEN | |
| 608 | 22451000/0 | 1 | MOLLA | SPRING | RESSORT | FEDER | |