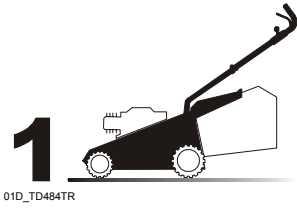
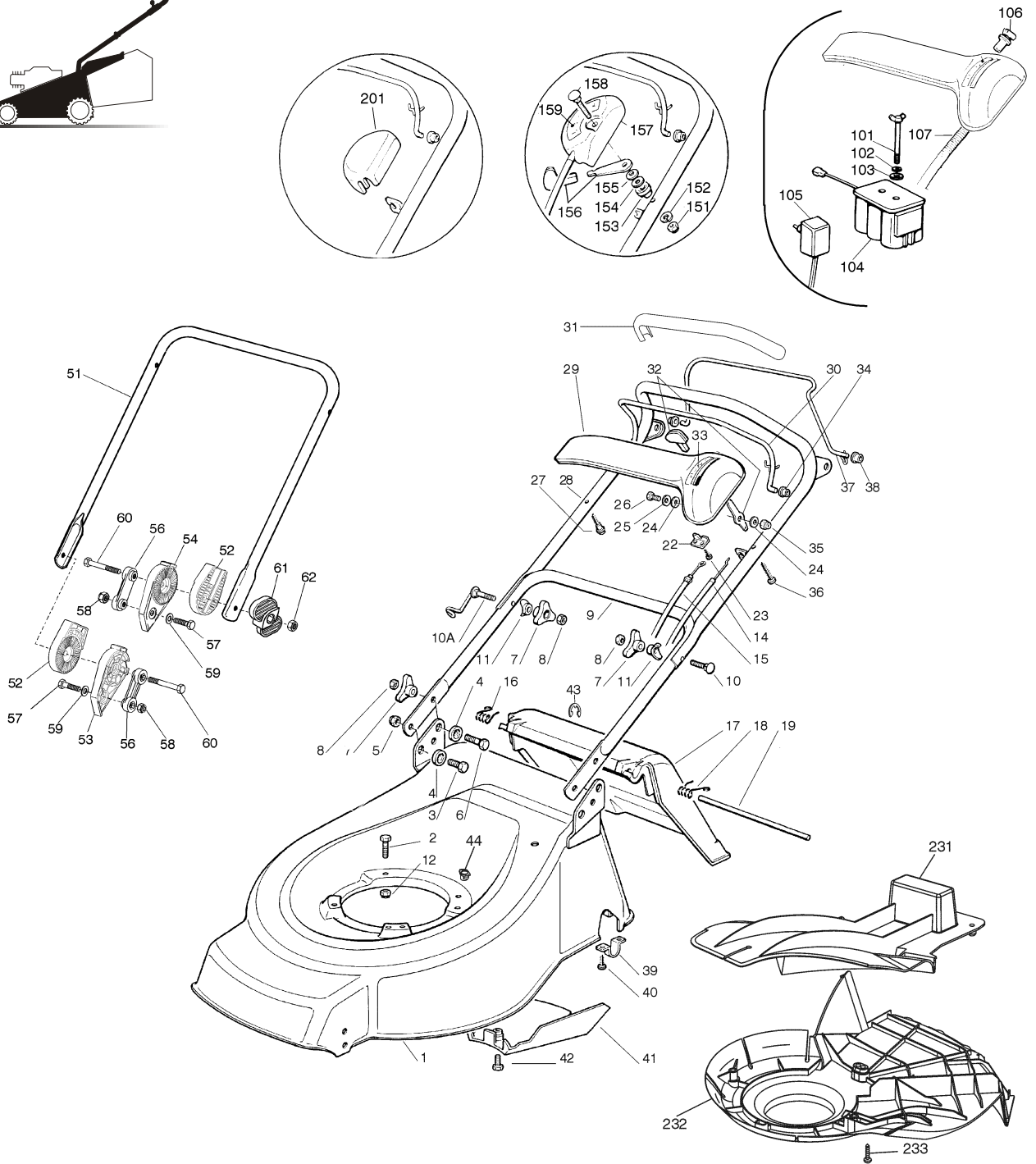


TD 484 TR - TD 484 TR-E - TD 534 TR - TD 534 TR-E

72



01D_TD484TR



01T.022

| Pos. | code | Q.ty | Descrizione | Description | Description | Beschreibung | Remarks |
|------|------------|------|----------------|-------------|---------------|----------------|---------------|
| 1 | 81001642/0 | 1 | CHASSIS ROSSO | DECK RED | CHÂSSIS ROUGE | GEHÄUSE ROTES | (TD 484 TR) |
| - | 81001643/0 | 1 | CHASSIS GIALLO | DECK YELLOW | CHÂSSIS JAUNE | GEHÄUSE GELBES | (TD 484 TR) |
| - | 81001644/0 | 1 | CHASSIS VERDE | DECK GREEN | CHÂSSIS VERT | GEHÄUSE GRÜNES | (TD 484 TR) |
| - | 81001663/0 | 1 | CHASSIS ROSSO | DECK RED | CHÂSSIS ROUGE | GEHÄUSE ROTES | (TD 484 TR-E) |
| - | 81001664/0 | 1 | CHASSIS GIALLO | DECK YELLOW | CHÂSSIS JAUNE | GEHÄUSE GELBES | (TD 484 TR-E) |
| - | 81001665/0 | 1 | CHASSIS VERDE | DECK GREEN | CHÂSSIS VERT | GEHÄUSE GRÜNES | (TD 484 TR-E) |
| - | 81001979/0 | 1 | CHASSIS ROSSO | DECK RED | CHÂSSIS ROUGE | GEHÄUSE ROTES | (TD 534 TR) |
| - | 81001981/0 | 1 | CHASSIS GIALLO | DECK YELLOW | CHÂSSIS JAUNE | GEHÄUSE GELBES | (TD 534 TR) |
| - | 81001983/0 | 1 | CHASSIS VERDE | DECK GREEN | CHÂSSIS VERT | GEHÄUSE GRÜNES | (TD 534 TR) |
| - | 81001980/0 | 1 | CHASSIS ROSSO | DECK RED | CHÂSSIS ROUGE | GEHÄUSE ROTES | (TD 534 TR-E) |

TD 484 TR - TD 484 TR-E - TD 534 TR - TD 534 TR-E

72

01T.022

| Pos. | code | Q.ty | Descrizione | Description | Description | Beschreibung | Remarks |
|------|------------|------|---------------------------|---------------------------|------------------------------|----------------------|--|
| 1 | 81001982/0 | 1 | CHASSIS GIALLO | DECK YELLOW | CHÂSSIS JAUNE | GEHÄUSE GELBES | (TD 534 TR-E) |
| - | 81001984/0 | 1 | CHASSIS VERDE | DECK GREEN | CHÂSSIS VERT | GEHÄUSE GRÜNES | (TD 534 TR-E) |
| 2 | 12691800/0 | 0/1 | VITE | SCREW | VIS | SCHRAUBE | |
| - | 12793700/0 | 3/2 | VITE | SCREW | VIS | SCHRAUBE | |
| 3 | 12792610/0 | 2 | VITE | SCREW | VIS | SCHRAUBE | |
| 4 | 22041955/0 | 4 | BUSSOLA | BUSH | DOUILLE | BUCHSE | |
| 5 | 12155000/0 | 2 | DADO | NUT | ECROU | MUTTER | |
| 6 | 12793700/0 | 2 | VITE | SCREW | VIS | SCHRAUBE | |
| 7 | 22399900/0 | 4 | MANOPOLINA | KNOB | POIGNÉE | GRIFF | |
| 8 | 12293200/0 | 4 | DADO | NUT | ECROU | MUTTER | |
| 9 | 81006512/0 | 1 | MANICO, PARTE INF | HANDLE, LOWER PART | MANCHERON, PARTIE INFERIEURE | HOLM, UNTERTEIL | |
| 10 | 12819201/0 | 1 | VITE | SCREW | VIS | SCHRAUBE | |
| 10A | 81003801/1 | 1 | MOLLA GUIDA | SPRING | RESSORT | FEDER | |
| 11 | 22680006/1 | 2 | RONDELLA | WASHER | RONDELLE | SCHLEIBE | |
| 12 | 12155000/0 | 0/1 | DADO | NUT | ECROU | MUTTER | |
| - | 12293201/0 | 3/2 | DADO | NUT | ECROU | MUTTER | |
| 14 | 81007160/0 | 1 | CAVO ACCELERATORE | CABLE, TROTTLER | CABLE, ACCELERATEUR | KABEL, BESCHLEUNIGER | |
| 15 | 81000625/0 | 1 | CAVO FRENO MOTORE | CABLE, THREAD MOTOR BRAKE | CABLE FREIN MOTEUR | KABEL, MOTORBREMSE | (B&S CLASSIC/SPRINT/LS TD 484 TR/TR-E) |
| - | 81000643/0 | 1 | CAVO FRENO MOTORE | CABLE, THREAD MOTOR BRAKE | CABLE FREIN MOTEUR | KABEL, MOTORBREMSE | (B&S CLASSIC/SPRINT/LS TD 534 TR/TR-E) |
| - | 81000631/0 | 1 | CAVO FRENO MOTORE | CABLE, THREAD MOTOR BRAKE | CABLE FREIN MOTEUR | KABEL, MOTORBREMSE | (B&S QUANTUM/ES 40 TD 484 TR/TR-E) |
| - | 81000642/0 | 1 | CAVO FRENO MOTORE | CABLE, THREAD MOTOR BRAKE | CABLE FREIN MOTEUR | KABEL, MOTORBREMSE | (B&S QUANTUM/ES 40 TD 534 TR/TR-E) |
| - | 81000641/0 | 1 | CAVO FRENO MOTORE | CABLE, THREAD MOTOR BRAKE | CABLE FREIN MOTEUR | KABEL, MOTORBREMSE | (HONDA GCV 135/160 TD 4884 TR/TR-E) |
| - | 81000640/0 | 1 | CAVO FRENO MOTORE | CABLE, THREAD MOTOR BRAKE | CABLE FREIN MOTEUR | KABEL, MOTORBREMSE | (HONDA GCV 135/160 TD 534 TR/TR-E) |
| - | 81000629/1 | 1 | CAVO FRENO MOTORE | CABLE, THREAD MOTOR BRAKE | CABLE FREIN MOTEUR | KABEL, MOTORBREMSE | (TECUMSEH TD 484 TR/TR-E) |
| - | 81000644/0 | 1 | CAVO FRENO MOTORE | CABLE, THREAD MOTOR BRAKE | CABLE FREIN MOTEUR | KABEL, MOTORBREMSE | (TECUMSEH TD 534 TR/TR-E) |
| 16 | 22450410/1 | 1 | MOLLA DX | R SPRING | RESSORT D | RECHTE FEDER | |
| 17 | 22600046/2 | 1 | PARASASSI | STONE-GUARD | PARE-PIERRES | PRALLBLECH | |
| 18 | 22450420/1 | 1 | MOLLA SX | L SPRING | RESSORT G | LINKE FEDER | |
| 19 | 22517906/1 | 1 | PERNO | PIN | PIVOT | BOLZEN | |
| 22 | 22981467/0 | 1 | PIASTRINA | PLATE | PLAQUETTE | PLATTE | |
| 23 | 12735105/0 | 2 | VITE | SCREW | VIS | SCHRAUBE | |
| 24 | 12523040/0 | 2 | RONDELLA | WASHER | RONDELLE | SCHLEIBE | |
| 25 | 12530060/0 | 1 | RONDELLA ELASTICA | ELASTIC WASHER | RONDELLE ELASTIQUE | ELASTISCHE SCHLEIBE | |
| 26 | 12791500/0 | 1 | VITE | SCREW | VIS | SCHRAUBE | |
| 27 | 22943006/0 | 1 | VITE | SCREW | VIS | SCHRAUBE | |
| 28 | 81007024/0 | 1 | MANICO, PARTE SUP | HANDLE, UPPER PART | MANCHERON, PARTIE SUPERIEURE | HOLM, OBERTEIL | |
| 29 | 22120152/0 | 1 | CRUSCOTTO GIALLO | DASH BOARD YELLOW | CONSOLE JAUNE | KONSOLE GELBE | |
| - | 22120154/0 | 1 | CRUSCOTTO ROSSO | DASH BOARD RED | CONSOLE ROUGE | KONSOLE ROTE | |
| - | 22120158/0 | 1 | CRUSCOTTO NERO | DASH BOARD BLACK | CONSOLE NOIRE | KONSOLE SCHWARZE | |
| 30 | 81003291/2 | 1 | LEVA FRENO MOTORE | LEVER, MOTOR BRAKE | LEVIER FREIN MOTEUR | HEBEL, MOTORBREMSE | |
| 31 | 22291050/0 | 1 | IMPUGNATURA MANICO NERA | HANDGRIP BLACK | POIGNÉE NOIRE | HANDGRIFF SCHWARZER | |
| - | 22291051/0 | 1 | IMPUGNATURA MANICO ROSSA | HANDGRIP RED | POIGNÉE ROUGE | HANDGRIFF RÖTER | |
| - | 22291052/0 | 1 | IMPUGNATURA MANICO GIALLA | HANDGRIP YELLOW | POIGNÉE JAUNE | HANDGRIFF GELBER | |
| 32 | 81007280/2 | 1 | LEVA, ACCELERATORE | LEVER, THROTTLE | LEVIER, ACCELERATEUR | HEBEL, BESHLEUNIGER | |
| 33 | 14356744/0 | 1 | ETICHETTA | LABEL | ETIQUETTE | ETIKETTE | (B&S) |
| - | 14356743/0 | 1 | ETICHETTA | LABEL | ETIQUETTE | ETIKETTE | (TECUMSEH - HONDA) |
| 34 | 22041966/0 | 1 | BUSSOLA | BUSH | DOUILLE | BUCHSE | |
| 35 | 12154510/0 | 1 | DADO | NUT | ECROU | MUTTER | |

TD 484 TR - TD 484 TR-E - TD 534 TR - TD 534 TR-E

72

01T.022

| Pos. | code | Q.ty | Descrizione | Description | Description | Beschreibung | Remarks |
|------|------------|------|-----------------------------|---------------------------|----------------------------|-------------------------|-------------------------|
| 36 | 12728460/0 | 1 | VITE | SCREW | VIS | SCHRAUBE | |
| 37 | 81003288/1 | 1 | LEVA TRAZIONE | LEVER, DRIVING | LEVIER TRACTION | HEBEL, ANTRIEB | |
| 38 | 22041965/0 | 2 | BUSSOLA | BUSH | DOUILLE | BUCHSE | |
| 39 | 22545152/0 | 2 | PIASTRINA | PLATE | PLAQUETTE | PLATTE | |
| 40 | 12731350/0 | 4 | VITE | SCREW | VIS | SCHRAUBE | |
| 41 | 22060192/0 | 1 | CARTER CINGHIA | PROTECTION, BELT | PROTECTION COURROIRE | SCHUTZ, RIEMEN | (TD 484 TR/TD 484 TR-E) |
| - | 22060193/0 | 1 | CARTER CINGHIA | PROTECTION, BELT | PROTECTION COURROIRE | SCHUTZ, RIEMEN | (TD 534 TR/TD 534 TR-E) |
| 42 | 12727791/0 | 1 | VITE | SCREW | VIS | SCHRAUBE | (TD 484 TR/TD 484 TR-E) |
| - | 12728530/0 | 1 | VITE | SCREW | VIS | SCHRAUBE | (TD 534 TR/TD 534 TR-E) |
| 43 | 12000930/0 | 1 | ANELLO ELASTICO | SNAP RING | ANNEAU RESSORT | SPRENGRING | |
| 44 | 22291150/0 | 1 | INSERTO IN GOMMA | RUBBER INSERT | INSERT DE GAOUTCHOU | GUMMI EINSATZ | (TD 534 TR/TD 534 TR-E) |
| — | 81008609/0 | 1 | DOTAZIONE VITERIA CRUSCOTTO | OUTFIT, DASH-BOARD SCREWS | DOTATION VISSERIE CONSOLLE | SATZ, KONSOLE SCHRAUBEN | |
| — | 81008614/2 | 1 | DOTAZIONE VITERIA | OUTFIT, SCREWS | DOTATION VISSERIE | SATZ, SCHRAUBEN | |

VARIANTE REGOLAZIONE MANICO - HANDLE ADJUSTMENT MODIFICATION - MODIFICATION REGLAGE POIGNEE - ÄNDERUNG GRIFFENSTEEL

01T.004

| Pos. | code | Q.ty | Descrizione | Description | Description | Beschreibung | Remarks |
|------|------------|------|---------------------|---------------------|------------------------------|------------------|---------|
| 51 | 81006510/0 | 1 | MANICO, PARTE INF | HANDLE, LOWER PART | MANCHERON, PARTIE INFERIEURE | HOLM, UNTERTEIL | |
| 52 | 22785081/0 | 2 | SUPPORTO ESTERNO | SUPPORT, EXTERNAL | SUPPORT EXTERNE | HALTER, AUßERE | |
| 53 | 22785082/0 | 1 | SUPPORTO INTERNO DX | SUPPORT, R INTERNAL | SUPPORT INTERNE D | HALTER, INNERE R | |
| 54 | 22785083/1 | 1 | SUPPORTO INTERNO SX | SUPPORT, L INTERNAL | SUPPORT INTERNE G | HALTER, INNERE L | |
| 56 | 22551575/0 | 2 | PIASTRINA INTERNA | PLATE, INSIDE | PLAQUETTE INTERNE | PLATTE, INNERE | |
| 57 | 12793701/0 | 2 | VITE | SCREW | VIS | SCHRAUBE | |
| 58 | 12155000/0 | 2 | DADO | NUT | ECROU | MUTTER | |
| 59 | 12521350/0 | 2 | RONDELLA | WASHER | RONDELLE | SCHEIBE | |
| 60 | 12691810/0 | 2 | VITE | SCREW | VIS | SCHRAUBE | |
| 61 | 22399803/0 | 2 | MANOPOLINA | KNOB | POIGNÉE | GRIFF | |
| 62 | 12293202/0 | 2 | DADO | NUT | ECROU | MUTTER | |
| — | 81008623/0 | 1 | DOTAZIONE VITERIA | OUTFIT, SCREWS | DOTATION VISSERIE | SATZ, SCHRAUBEN | |

VARIANTI PER AVVIAMENTO ELETTRICO - PARTS FOR ELECTIC START - COMPOSANTS POUR DÉMARRAGE ÉLECTRIQUE - ELEKTROSTART BESTANDTEILE

01T.008

| Pos. | code | Q.ty | Descrizione | Description | Description | Beschreibung | Remarks |
|------|------------|------|-----------------|-----------------|----------------------|--------------|------------|
| 101 | 22517855/0 | 2 | PERNO | PIN | PIVOT | BOLZEN | |
| 102 | 12523000/0 | 2 | RONDELLA | WASHER | RONDELLE | SCHEIBE | |
| 103 | 12540020/0 | 2 | RONDELLA | WASHER | RONDELLE | SCHEIBE | |
| 104 | 18120050/0 | 1 | BATTERIA | BATTERY | BATTERIE | BATTERIE | |
| 105 | 18204110/0 | 1 | CARICA BATTERIA | BATTERY CHARGER | CHARGEUR DE BATTERIE | LADGERÄT | |
| 106 | 18450050/0 | 1 | INTERRUTTORE | SWITCH | INTERRUPTEUR | SCHALTER | |
| 107 | 18204192/0 | 1 | CAVO AVVIAMENTO | CABLE, START | CABLE DÉMARRAGE | KABEL, START | (B&S) |
| - | 18204190/2 | 1 | CAVO AVVIAMENTO | CABLE, START | CABLE DÉMARRAGE | KABEL, START | (TECUMSEH) |

VARIANTE ACCELERATORE - THROTTLE MODIFICATION - MODIFICATION COMMANDE D'ACCELERATION - ÄNDERUNGEN AUF GASHEBEL

01T.005

| Pos. | code | Q.ty | Descrizione | Description | Description | Beschreibung | Remarks |
|------|------------|------|--------------------|-----------------|----------------------|----------------------|------------------|
| 151 | 12291000/0 | 1 | DADO | NUT | ECROU | MUTTER | |
| 152 | 12581500/0 | 1 | GROWER | GROWER | GROWER | FEDERRING | |
| 153 | 22171005/0 | 1 | DISTANZIALE | SPACER | ENTRETOISE | DISTANZRING | |
| 154 | 12521360/0 | 1 | RONDELLA | WASHER | RONDELLE | SCHEIBE | |
| 155 | 12508100/0 | 1 | RONDELLA ELASTICA | SPRING WASHER | RONDELLE ELASTIQUE | ELASTISCHE SCHEIBE | |
| 156 | 81007279/0 | 1 | LEVA, ACCELERATORE | LEVER, THROTTLE | LEVIER, ACCELERATEUR | HEBEL, BESHLEUNIGER | |
| 157 | 81007080/0 | 1 | CAVO ACCELERATORE | CABLE, TROTTLE | CABLE, ACCELERATEUR | KABLE, BESCHLEUNIGER | |
| 158 | 12815000/0 | 1 | VITE | SCREW | VIS | SCHRAUBE | |
| 159 | 14356703/0 | 1 | ETICHETTA | LABEL | ETIQUETTE | ETIKETTE | (B&S) |
| - | 14356702/0 | 1 | ETICHETTA | LABEL | ETIQUETTE | ETIKETTE | (TECUMSEH-HONDA) |

TD 484 TR - TD 484 TR-E - TD 534 TR - TD 534 TR-E

72

VARIANTE REGIME FISSO - FIXED SPEED MODIFICATION - MODIFICATION POUR MODÈLE À REGIME FIXE - ÄNDERUNGEN FÜR MODELLE MIT FESTEN DREH

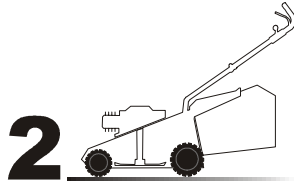
01T.006

| Pos. | code | Q.ty | Descrizione | Description | Description | Beschreibung | Remarks |
|------|------------|------|-------------|-------------|-------------|--------------|---------|
| 201 | 22601000/0 | 1 | PROTEZIONE | PROTECTION | PROTECTION | SCHUTZ | |

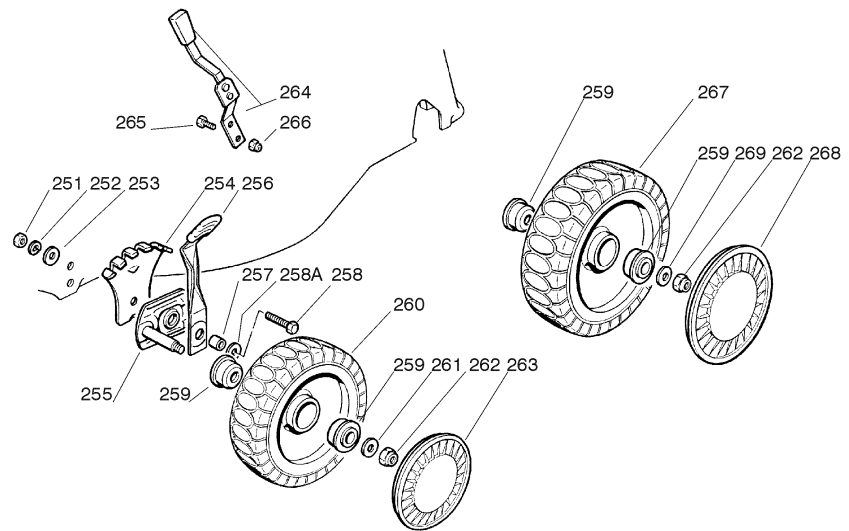
VARIANTE MULCHING - MULCHING MODIFICATION - MODIFICATION MULCHING - ÄNDERUNGEN MULCHING

01T.022

| Pos. | code | Q.ty | Descrizione | Description | Description | Beschreibung | Remarks |
|------|------------|------|-------------|-------------|-------------|--------------|-------------------------|
| 231 | 22140222/0 | 1 | DEFLETTORE | DEFLECTOR | DEFLECTEUR | DEFLEKTOR | (TD 534 TR/TD 534 TR-E) |
| 232 | 22060197/0 | 1 | CARTER | PROTECTION | PROTECTION | SCHUTZ | (TD 534 TR/TD 534 TR-E) |
| 233 | 12728530/0 | 2 | VITE | SCREW | VIS | SCHRAUBE | (TD 534 TR/TD 534 TR-E) |



02D_010



02T.010

| Pos. | code | Q.ty | Descrizione | Description | Description | Beschreibung | Remarks |
|------|------------|------|-----------------------------|---------------------------|-------------------------|-------------------------|---------|
| 251 | 12293200/0 | 2 | DADO | NUT | ECROU | MUTTER | |
| 252 | 12583500/0 | 2 | GROWER | GROWER | GROWER | FEDERRING | |
| 253 | 12523070/0 | 2 | RONDELLA | WASHER | RONDELLE | SCHEIBE | |
| 254 | 22735547/0 | 2 | SETTORE REGOLAZIONE ALTEZZA | SECTOR, HEIGHT ADJUSTMENT | SECTEUR REGLAGE HAUTEUR | SEKTOR, HÖHEVERSTELLUNG | |
| 255 | 81005082/0 | 2 | SUPPORTO RUOTA | SUPPORT, WHEEL | SUPPORT ROUE | HALTER, RAD | |
| 256 | 81003285/1 | 2 | LEVA REGOLAZIONE ALTEZZA | LEVER, HEIGHT ADJUSTMENT | LEVIER, REGLAGE HAUTEUR | HEBEL, HÖHEVERSTELLUNG | |
| 257 | 22171001/0 | 2 | DISTANZIALE | SPACER | ENTRETOISE | DISTANZRING | |
| 258 | 12793701/0 | 2 | VITE | SCREW | VIS | SCHRAUBE | |
| 258A | 12521350/0 | 2 | RONDELLA | WASHER | RONDELLE | SCHEIBE | |
| 259 | 22122200/0 | 8 | CUSCINETTO | BEARING | COUSSINET | LAGER | |
| 260 | 81007336/0 | 2 | RUOTA SCOLPITA Ø 170 | WHEEL, KNOBBLY Ø 170 | ROUE SCULPTEE Ø 170 | RAD M. STOLLENPR. Ø 170 | |
| 261 | 12521350/0 | 2 | RONDELLA | WASHER | RONDELLE | SCHEIBE | |
| 262 | 12155000/0 | 4 | DADO | NUT | ECROU | MUTTER | |
| 263 | 22110282/0 | 2 | COPRIMOZZO BIANCO | HUB CAP WHITE | COUVRE-MOYEU BLANC | RADKAPPE WEIßE | |
| - | 22110288/0 | 2 | COPRIMOZZO GIALLO | HUB CAP YELLOW | COUVRE-MOYEU JAUNE | RADKAPPE GELBE | |
| - | 22110290/0 | 2 | COPRIMOZZO ROSSO | HUB CAP RED | COUVRE-MOYEU ROUGE | RADKAPPE ROTE | |
| 264 | 81003279/2 | 1 | LEVA REGOLAZIONE ALTEZZA | LEVER, HEIGHT ADJUSTMENT | LEVIER, REGLAGE HAUTEUR | HEBEL, HÖHEVERSTELLUNG | |
| 265 | 12789000/0 | 2 | VITE | SCREW | VIS | SCHRAUBE | |
| 266 | 12154330/0 | 2 | DADO | NUT | ECROU | MUTTER | |
| 267 | 81007337/0 | 2 | RUOTA SCOLPITA Ø 210 | WHEEL, KNOBBLY Ø 210 | ROUE SCULPTEE Ø 210 | RAD M. STOLLENPR. Ø 210 | |
| 268 | 22110281/0 | 2 | COPRIMOZZO BIANCO | HUB CAP WHITE | COUVRE-MOYEU BLANC | RADKAPPE WEIßE | |
| - | 22110287/0 | 2 | COPRIMOZZO GIALLO | HUB CAP YELLOW | COUVRE-MOYEU JAUNE | RADKAPPE GELBE | |
| - | 22110289/0 | 2 | COPRIMOZZO ROSSO | HUB CAP RED | COUVRE-MOYEU ROUGE | RADKAPPE ROTE | |

TD 484 TR - TD 484 TR-E - TD 534 TR - TD 534 TR-E

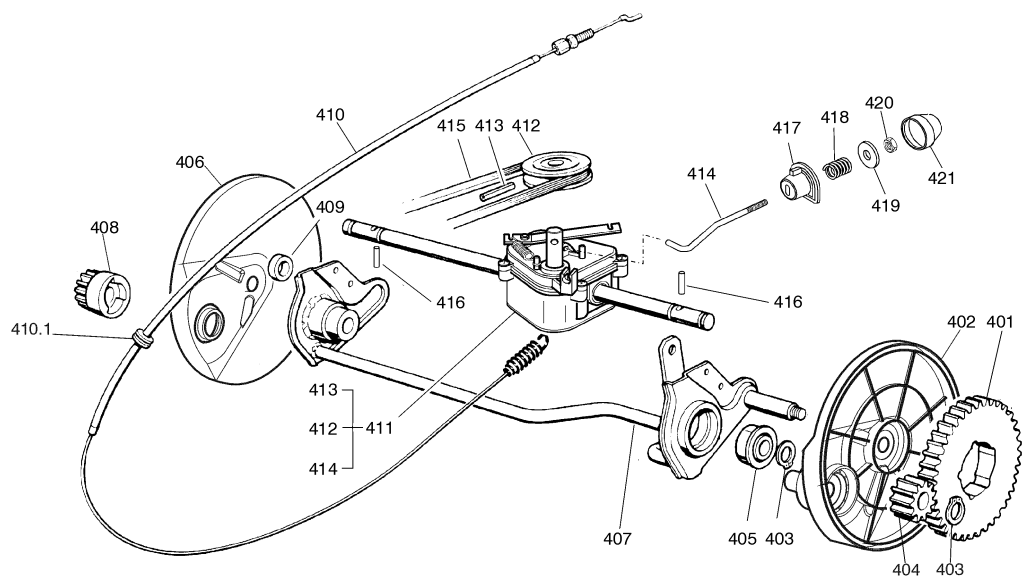
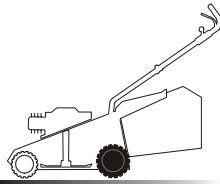
72

02T.010

| Pos. | code | Q.ty | Descrizione | Description | Description | Beschreibung | Remarks |
|------|------------|------|-------------|-------------|-------------|--------------|---------|
| 269 | 12369500/0 | 2 | RONDELLA | WASHER | RONDELLE | SCHIEBE | |

3

03D_001



03T.005

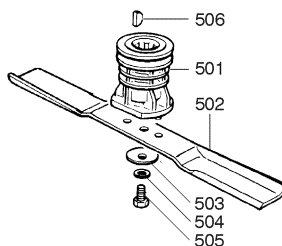
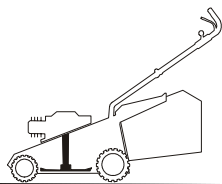
| Pos. | code | Q.ty | Descrizione | Description | Description | Beschreibung | Remarks |
|-------|------------|------|-----------------------|---------------------|--------------------------|-----------------------|-------------------------|
| 401 | 22120105/1 | 2 | CORONA | RING GEAR | COURONNE | KRANZ | |
| 402 | 22600093/0 | 1 | PROT RUOTE SX | PROTECTION, L WHEEL | PROTECTION ROUE G | SCHÜTZ, LINKES RÄDER | |
| 403 | 12608600/0 | 4 | SEEGER | SEEGER | SEEGER | SEEGER | |
| 404 | 22570120/1 | 1 | PIGNONE SX | PINION L | PIGNON G | RITZEL LINKES | |
| 405 | 19216035/0 | 2 | CUSCINETTO | BEARING | COUSSINET | LAGER | |
| 406 | 22600092/0 | 1 | PROT RUOTE DX | PROTECTION, R WHEEL | PROTECTION ROUE D | SCHÜTZ, RECHTES RÄDER | |
| 407 | 81000147/0 | 1 | ASSE RUOTE POSTERIORE | AXLE, REAR WHEELS | AXE ROUES ARRIERE | ACHSE, HINTERRAD | |
| 408 | 22570110/1 | 1 | PIGNONE DX | PINION R | PIGNON D | RITZEL RECHTES | |
| 409 | 22170800/0 | 1 | DISTANZIALE | SPACER | ENTRETOISE | DISTANZRING | |
| 410 | 81000645/0 | 1 | CAVO COMANDO TRAZIONE | CABLE, REAR DRIVE | CÂBLE, COMMANDE TRACTION | KABEL, ANTRIEB | (B.I. C.I. D.I.) |
| - | 81001143/0 | 1 | CAVO COMANDO TRAZIONE | CABLE, REAR DRIVE | CÂBLE, COMMANDE TRACTION | KABEL, ANTRIEB | (FRANCE REDUCTEURS) |
| 410.1 | 18564510/0 | 1 | PASSACAVO | FAIR LEAD | PASSE CABLE | KABELDURCHGANG | (B.I. C.I. D.I.) |
| 411 | 81003072/1 | 1 | GRUPPO TRAZIONE | GEAR BOX | GROUPE TRACTION | ANTRIEB | (B.I. C.I. D.I.) |
| - | 81003059/2 | 1 | GRUPPO TRAZIONE | GEAR BOX | GROUPE TRACTION | ANTRIEB | (FRANCE REDUCTEURS) |
| 412 | 22601904/0 | 1 | PULEGGIA | PULLEY | POULIE | RIEMENSCHIEBE | |
| 413 | 12645705/0 | 1 | SPINA | PIN | GOUPILLE | STIFT | |
| 414 | 22033280/0 | 1 | ASTA REGOLAZIONE | ADJUSTMENT ROD | TIGE REGLAGE | VERSTELLUNGSTANGE | |
| 415 | 35063800/0 | 1 | CINGHIA Z 27 | BELT Z 27 | COURROIE Z 27 | RIEMEN Z 27 | (TD 484 TR/TD 484 TR-E) |
| - | 35063902/0 | 1 | CINGHIA Z 29.5 | BELT Z 29.5 | COURROIE Z 29.5 | RIEMEN Z 29.5 | (TD 534 TR/TD 534 TR-E) |
| 416 | 22753000/0 | 2 | SPINA | PIN | GOUPILLE | STIFT | |
| 417 | 22041957/1 | 1 | BUSSOLA | BUSH | DOUILLE | BUCHSE | |
| 418 | 22450063/0 | 1 | MOLLA | SPRING | RESSORT | FEDER | |
| 419 | 22680009/0 | 1 | RONDELLA | WASHER | RONDELLE | SCHIEBE | |
| 420 | 12154510/0 | 1 | DADO | NUT | ECROU | MUTTER | |
| 421 | 22110230/0 | 1 | TAPPO | CAP | BOUCHON | GUMMISTOPFEN | |

TD 484 TR - TD 484 TR-E - TD 534 TR - TD 534 TR-E

72

5

05D_003

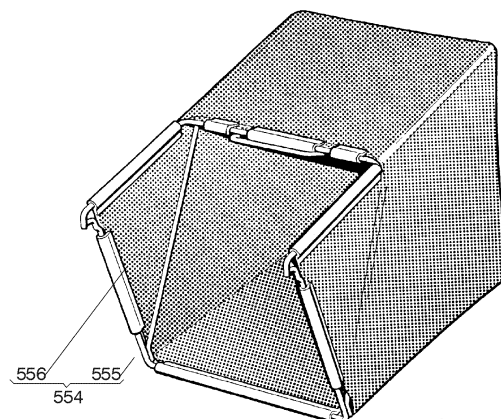
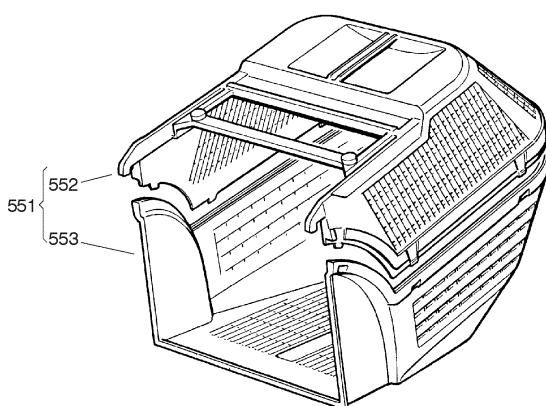
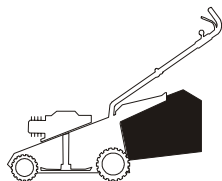


05T.008

| Pos. | code | Q.ty | Descrizione | Description | Description | Beshreibung | Remarks |
|------|------------|------|--------------------|-----------------|--------------------|--------------------|---------|
| 501 | 22465607/0 | 1 | MOZZO CON PULEGGIA | HUB WITH PULLEY | MOYEU AVEC POULIE | NABE MIT SCHEIBE | |
| 502 | 81004346/3 | 1 | COLTELLO STANDARD | BLADE STANDARD | LAME STANDARD | MESSER STANDARD | (46 cm) |
| - | 81004397/0 | 1 | COLTELLO ALETTATO | BLADE WINGED | LAME AILETTÉE | MESSER FLÜGEL | (46 cm) |
| - | 81004381/1 | 1 | COLTELLO STANDARD | BLADE STANDARD | LAME STANDARD | MESSER STANDARD | (51 cm) |
| - | 81004398/0 | 1 | COLTELLO ALETTATO | BLADE WINGED | LAME AILETTÉE | MESSER FLÜGEL | (51 cm) |
| 503 | 22160400/0 | 1 | DISCO ELASTICO | ELASTIC WASHER | RONDELLE ELASTIQUE | ELASTISCHE SCHEIBE | |
| 504 | 12523080/0 | 1 | RONDELLA | WASHER | RONDELLE | SCHEIBE | |
| 505 | 12735698/0 | 1 | VITE | SCREW | VIS | SCHRAUBE | |
| 506 | 12139100/0 | 1 | LINGUETTA | FEATHER | CLAVETTE | KEIL | |

6

06D_002



06T.002

| Pos. | code | Q.ty | Descrizione | Description | Description | Beshreibung | Remarks |
|------|------------|------|-------------------------|--------------------------------|------------------------|-----------------|---------|
| 551 | 94004000/0 | 1 | SACCO COMPLETO | GRASS-BOX, COMPLETE | BAC COMPLET | KORB, KOMPLETTE | |
| 552 | 22486073/0 | 1 | SACCO, PARTE SUP | GRASS-BOX, UPPER PART | SAC, PARTIE SUPERIEURE | KORB, OBERTEIL | |
| 553 | 22486074/0 | 1 | SACCO, PARTE INF | GRASS-BOX, LOWER PART | SAC, PARTIE INFERIEURE | KORB, UNTERTEIL | |
| 554 | 94005000/0 | 1 | SACCO IN TELA, COMPLETO | GRASSCATCHER, CANVASS COMPLETE | SAC EN TOILE, COMPLETE | SACK, KOMPLETTE | |
| 555 | 81006418/0 | 1 | TELAIO SACCO | CHASSIS BOX | CHÂSSIS BAC | RAHMEN SACK | |
| 556 | 81002105/2 | 1 | SACCO, TELA | BOX, FABRIC | SAC, TOILE | SACK, TUCK | |