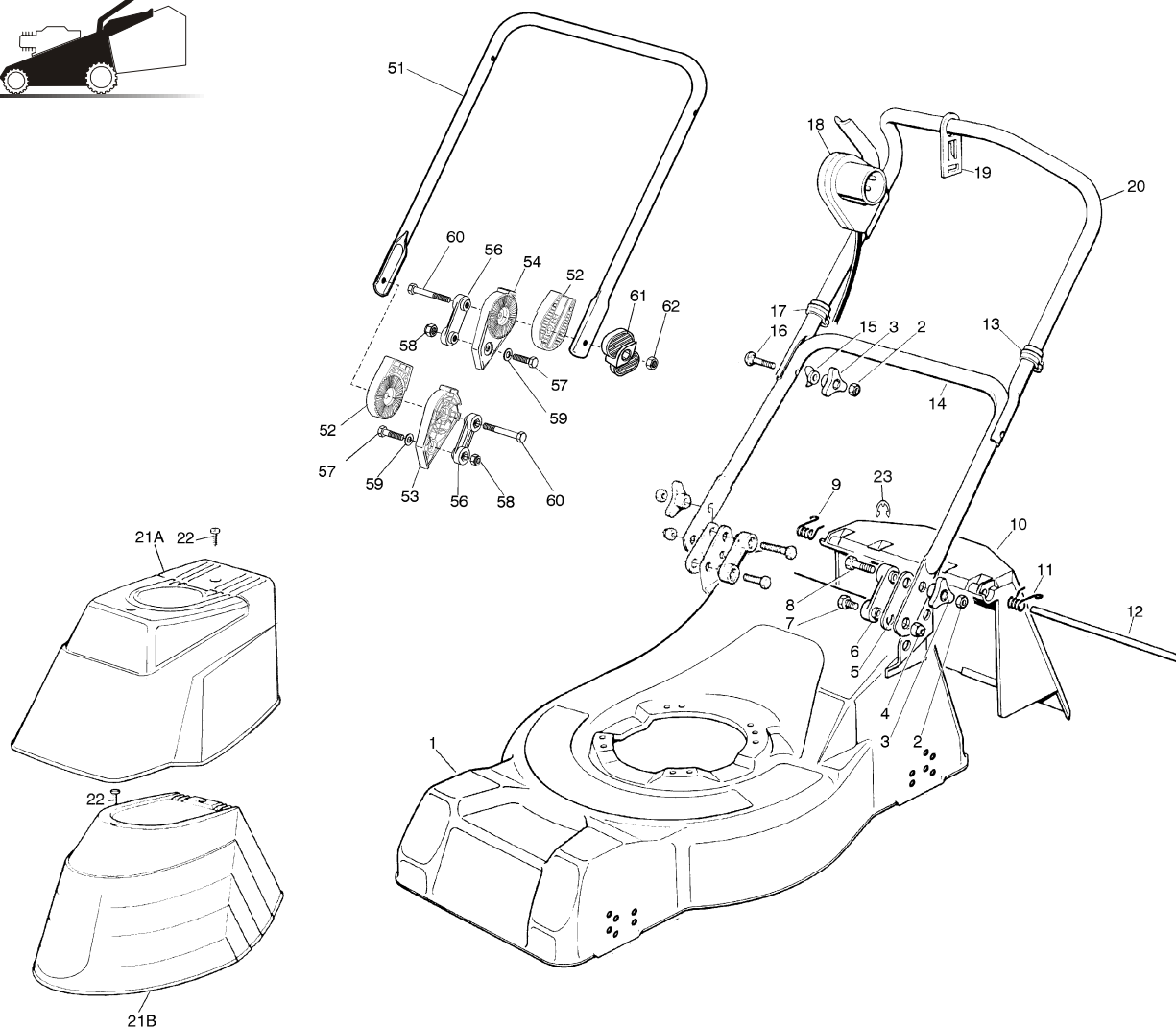


01D_NG410



01T.001

Pos.	Code	Q.ty	Descrizione	Description	Description	Beshreibung	Remarks
1	81001174/1	1	CHASSIS ROSSO	DECK RED	CHÂSSIS ROUGE	GEHÄUSE ROTES	(NG 410 - NG 410 S)
-	81001199/1	1	CHASSIS GIALLO	DECK YELLOW	CHÂSSIS JAUNE	GEHÄUSE GELBES	(NG 410 - NG 410 S)
-	81001441/1	1	CHASSIS VERDE	DECK GREEN	CHÂSSIS VERT	GEHÄUSE GRÜNES	(NG 410 - NG 410 S)
-	81001175/1	1	CHASSIS ROSSO	DECK RED	CHÂSSIS ROUGE	GEHÄUSE ROTES	(NG 460)
-	81001282/1	1	CHASSIS GIALLO	DECK YELLOW	CHÂSSIS JAUNE	GEHÄUSE GELBES	(NG 460)
-	81001442/1	1	CHASSIS VERDE	DECK GREEN	CHÂSSIS VERT	GEHÄUSE GRÜNES	(NG 460)
2	12293200/0	4	DADO	NUT	ECROU	MUTTER	
3	22399900/0	4	MANOPOLINA	KNOB	POIGNÉE	GRIFF	
4	12155000/0	2	DADO	NUT	ECROU	MUTTER	
5	22551574/0	2	PIASTRINA ESTERNA	PLATE, OUTSIDE	PLAQUETTE EXTERNE	PLATTE, ÄUßERE	
6	22551575/0	2	PIASTRINA INTERNA	PLATE, INSIDE	PLAQUETTE INTERNE	PLATTE, INNERE	
7	12793300/0	2	VITE	SCREW	VIS	SCHRAUBE	
8	12691115/0	2	VITE	SCREW	VIS	SCHRAUBE	
9	22450410/1	1	MOLLÀ DX	R SPRING	RESSORT D	RECHTE FEDER	
10	22600028/4	1	PARASASSI	STONE-GUARD	PARE-PIERRES	PRALLBLECH	
11	22450420/1	1	MOLLÀ SX	L SPRING	RESSORT G	LINKE FEDER	
12	22517906/1	1	PERNO	PIN	PIVOT	BOLZEN	

54

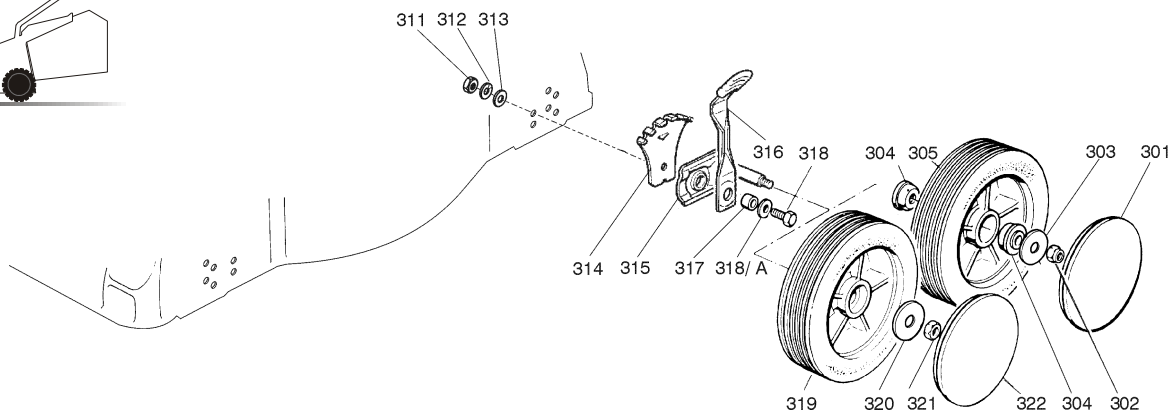
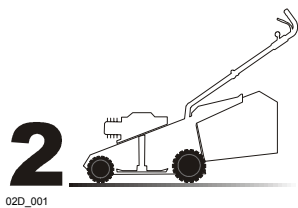
01T.001

Pos.	Code	Q.ty	Descrizione	Description	Description	Beschreibung	Remarks
13	22192151/0	1	FERMACAVO	FAIRLEAD	FIXATION CABLE	KABELBEFESTIGUNG	
14	81006512/0	1	MANICO, PARTE INF	HANDLE, LOWER PART	MANCHERON, PARTIE INFERIEURE	HOLM, UNTERTEIL	
15	22680006/1	2	RONDELLA	WASHER	RONDELLE	SCHEIBE	
16	12819201/0	2	VITE	SCREW	VIS	SCHRAUBE	
17	22192000/1	2	FASCETTA ANCORAGGIO	ANCHOR CLAMP	COLLIER ANCRAGE	BOWDENZUGHALTER	
18	18710604/0	1	SALVAMOTORE	DEAD HAND SWITCH	INT. MAIN MORTE	TOT MANSCHALTER	10A 602 MS
-	18710572/0	1	SALVAMOTORE	DEAD HAND SWITCH	INT. MAIN MORTE	TOT MANSCHALTER	10A 603 MS (ONLY FOR CH)
-	18710628/0	1	SALVAMOTORE	DEAD HAND SWITCH	INT. MAIN MORTE	TOT MANSCHALTER	10A 607 MS (ONLY FOR NZ - AUS)
-	18710634/0	1	SALVAMOTORE - SENZA PROT. TERMICA	DEAD HAND SWITCH - WITHOUT OVERLOAD PROTECTION	INT. MAIN MORTE - SANS PROTECTION TERMIQUE	TOT MANSCHALTER - OHNE THERMISCHER SCHUTZ	602 MS
-	18710627/1	1	SALVAMOTORE - SENZA PROT. TERMICA	DEAD HAND SWITCH - WITHOUT OVERLOAD PROTECTION	INT. MAIN MORTE - SANS PROTECTION TERMIQUE	TOT MANSCHALTER - OHNE THERMISCHER SCHUTZ	603 MS (ONLY FOR CH)
19	22195101/2	1	FERMACAVO	FAIRLEAD	FIXATION CABLE	KABELBEFESTIGUNG	
20	81007017/1	1	MANICO, PARTE SUP	HANDLE, UPPER PART	MANCHERON, PARTIE SUPERIEURE	HOLM, OBERTEIL	
21A	22055045/1	1	CAPOTTINA	COVER	CAPOT	HAUBE	
21B	22055033/1	1	CAPOTTINA	COVER	CAPOT	HAUBE	
22	12728680/0	2	VITE	SCREW	VIS	SCHRAUBE	
23	12000930/0	1	ANELLO ELASTICO	SNAP RING	ANNEAU RESSORT	SPRENGRING	
—	81008596/1	1	DOTAZIONE VITERIA	OUTFIT, SCREWS	DOTATION VISSERIE	SATZ, SCHRAUBEN	

VARIANTE REGOLAZIONE MANICO - HANDLE ADJUSTMENT MODIFICATION - MODIFICATION REGLAGE POIGNEE - ÄNDERUNG GRIFFENSTEEL

01T.002

Pos.	Code	Q.ty	Descrizione	Description	Description	Beschreibung	Remarks
51	81006510/0	1	MANICO, PARTE INF	HANDLE, LOWER PART	MANCHERON, PARTIE INFERIEURE	HOLM, UNTERTEIL	
52	22785081/0	2	SUPPORTO ESTERNO	SUPPORT, EXTERNAL	SUPPORT EXTERNE	HALTER, AUßERE	
53	22785082/0	1	SUPPORTO INTERNO DX	SUPPORT, R INTERNAL	SUPPORT INTERNE D	HALTER, INNERE R	
54	22785083/1	1	SUPPORTO INTERNO SX	SUPPORT, L INTERNAL	SUPPORT INTERNE G	HALTER, INNERE L	
56	22551575/0	2	PIASTRINA INTERNA	PLATE, INSIDE	PLAQUETTE INTERNE	PLATTE, INNERE	
57	12793701/0	2	VITE	SCREW	VIS	SCHRAUBE	
58	12155000/0	2	DADO	NUT	ECROU	MUTTER	
59	12521350/0	2	RONDELLA	WASHER	RONDELLE	SCHEIBE	
60	12691810/0	2	VITE	SCREW	VIS	SCHRAUBE	
61	22399803/0	2	MANOPOLINA	KNOB	POIGNÉE	GRIFF	
62	12293202/0	2	DADO	NUT	ECROU	MUTTER	
—	81008622/0	1	DOTAZIONE VITERIA	OUTFIT, SCREWS	DOTATION VISSERIE	SATZ, SCHRAUBEN	



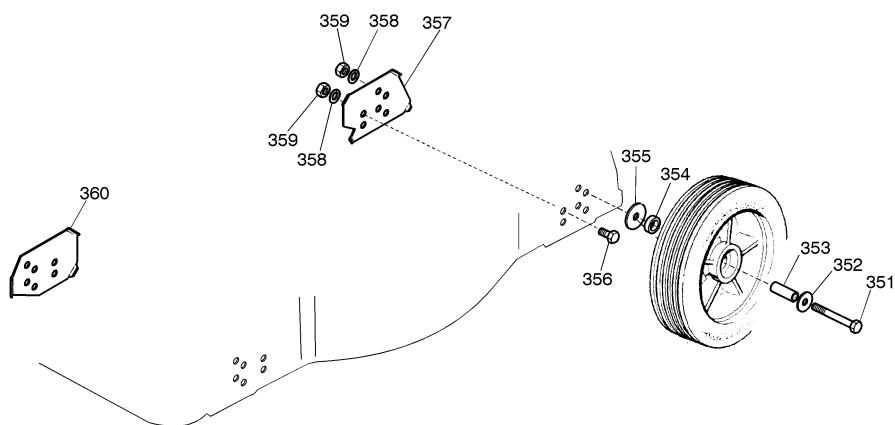
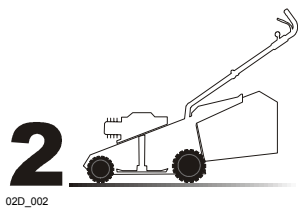
02T.001

Pos.	Code	Q.ty	Descrizione	Description	Description	Beshreibung	Remarks
311	12293200/0	4	DADO	NUT	ECROU	MUTTER	
312	12583500/0	4	GROWER	GROWER	GROWER	FEDERRING	
313	12523070/0	4	RONDELLA	WASHER	RONDELLE	SCHEIBE	
314	22735547/0	4	SETTORE REGOLAZIONE ALTEZZA	SECTOR, HEIGHT ADJUSTMENT	SECTEUR REGLAGE HAUTEUR	SEKTOR, HÖHEVERSTELLUNG	
315	81005082/0	4	SUPPORTO RUOTA	SUPPORT, WHEEL	SUPPORT ROUE	HALTER, RAD	
316	81003285/1	4	LEVA REGOLAZIONE ALTEZZA	LEVER, HEIGHT ADJUSTMENT	LEVIER, REGLAGE HAUTEUR	HEBEL, HÖHEVERSTELLUNG	
317	22171001/0	4	DISTANZIALE	SPACER	ENTRETOISE	DISTANZRING	
318	12793701/0	4	VITE	SCREW	VIS	SCHRAUBE	
318A	12521350/0	4	RONDELLA	WASHER	RONDELLE	SCHEIBE	
319	81007325/0	4	RUOTA Ø 170	WHEEL Ø 170	ROUE Ø 170	RAD Ø 170	
320	12523060/0	4	RONDELLA	WASHER	RONDELLE	SCHEIBE	
321	12293201/0	4	DADO	NUT	ECROU	MUTTER	
322	22110262/0	4	COPRIMOZZO BIANCO	HUB CAP WHITE	COUVRE-MOYEU BLANC	RADKAPPE WEIßE	
-	22110263/0	4	COPRIMOZZO GIALLO	HUB CAP YELLOW	COUVRE-MOYEU JAUNE	RADKAPPE GELBE	
-	22110264/0	4	COPRIMOZZO ROSSO	HUB CAP RED	COUVRE-MOYEU ROUGE	RADKAPPE ROTE	

VARIANTI RUOTE Ø 170 SU BOCCOLE - WHEEL Ø 170 MODIFICATIONS ON BUSHES - MODIFICATIONS ROUES Ø 170 SUR DOUILLES - ÄNDERUNGEN AUF RÄDE

02T.001

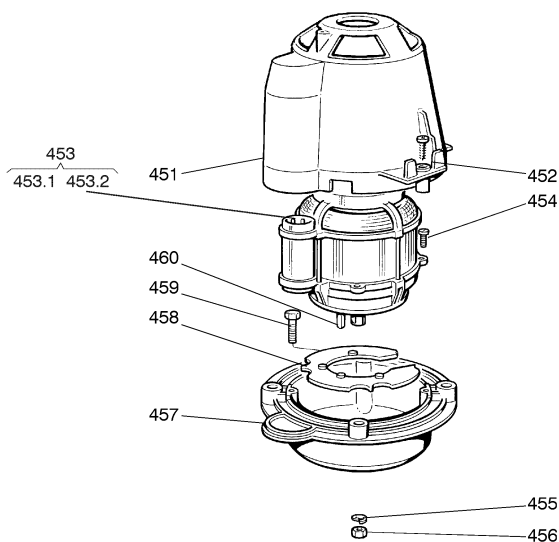
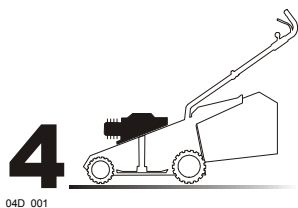
Pos.	Code	Q.ty	Descrizione	Description	Description	Beshreibung	Remarks
301	22110262/0	4	COPRIMOZZO BIANCO	HUB CAP WHITE	COUVRE-MOYEU BLANC	RADKAPPE WEIßE	
-	22110263/0	4	COPRIMOZZO GIALLO	HUB CAP YELLOW	COUVRE-MOYEU JAUNE	RADKAPPE GELBE	
-	22110264/0	4	COPRIMOZZO ROSSO	HUB CAP RED	COUVRE-MOYEU ROUGE	RADKAPPE ROTE	
302	12155000/0	4	DADO	NUT	ECROU	MUTTER	
303	12523060/0	4	RONDELLA	WASHER	RONDELLE	SCHEIBE	
304	22034508/0	8	BUSSOLA	BUSH	DOUILLE	BUCHSE	
305	81007326/0	4	RUOTA Ø 170	WHEEL Ø 170	ROUE Ø 170	RAD Ø 170	



VARIANTE REGOLAZIONE RUOTE - WHEEL ADJUSTMENT MODIFICATION - MODIFICATION REGLAGE ROUES - ÄNDERUNG RADEINSTELL

02T_002

Pos.	Code	Q.ty	Descrizione	Description	Description	Beshreibung	Remarks
351	12691900/0	4	VITE	SCREW	VIS	SCHRAUBE	
352	12523060/0	4	RONDELLA	WASHER	RONDELLE	SCHEIBE	
353	22869650/0	4	TUBO PER RUOTA	WHEEL TUBE	TUBE POUR ROUE	ROHR FÜR RAD	
354	22172420/0	4	DISTANZIALE	SPACER	ENTRETOISE	DISTANZRING	
355	12523070/0	4	RONDELLA	WASHER	RONDELLE	SCHEIBE	
356	12792611/0	4	VITE	SCREW	VIS	SCHRAUBE	
357	22551513/0	2	PIASTRA POSTERIORE	PLATE, BACK	PLAQUE POSTÉRIEURE	PLATTE, HINTER	
358	12583500/0	8	GROWER	GROWER	GROWER	FEDERRING	
359	12293200/0	8	DADO	NUT	ECROU	MUTTER	
360	22551511/0	2	PIASTRA ANTERIORE	PLATE, FRONT	PLAQUE ANTÉRIEURE	PLATTE, VORDER	



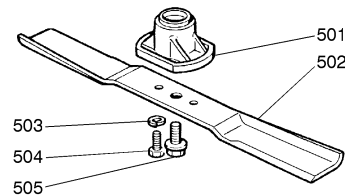
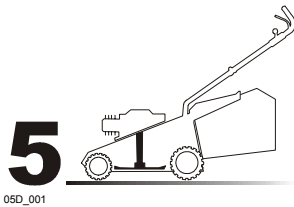
04T_001

Pos.	Code	Q.ty	Descrizione	Description	Description	Beshreibung	Remarks
451	22785061/0	1	SUPPORTO CAPOTTINA	SUPPORT, COVER	SUPPORT CAPOT	HALTER, HAUBE	
452	12728710/0	4	VITE	SCREW	VIS	SCHRAUBE	
453	18563009/0	1	MOTORE RST	MOTOR RST	MOTEUR RST	MOTOR RST	230V (1600W)
-	18563061/2	1	MOTORE HLT	MOTOR HLT	MOTEUR HLT	MOTOR HLT	230V (1600W)
-	18563605/0	1	MOTORE ATB	MOTOR ATB	MOTEUR ATB	MOTOR ATB	230V (1600W)

54

04T.001

Pos.	Code	Q.ty	Descrizione	Description	Description	Beschreibung	Remarks
453	18563607/0	1	MOTORE ATB	MOTOR ATB	MOTEUR ATB	MOTOR ATB	240V (1600W)
453.1	18740049/0	1	VENTOLA PER MOTORE HLT	FAN MOTOR HLT	VENTILATEUR MOTEUR HLT	LÜFTER MOTOR HLT	
-	18740051/0	1	VENTOLA PER MOTORE RST	FAN MOTOR RST	VENTILATEUR MOTEUR RST	LÜFTER MOTOR RST	
-	18740054/0	1	VENTOLA PER MOTORE ATB	FAN MOTOR ATB	VENTILATEUR MOTEUR ATB	LÜFTER MOTOR ATB	
453.2	18222045/0	1	CONDENSATORE 16 µF	CONDENSER 16 µF	CONDENSEUR 16 µF	KONDENSATOR 16 µF	(ATB)
-	18222038/0	1	CONDENSATORE 20 µF	CONDENSER 20 µF	CONDENSEUR 20 µF	KONDENSATOR 20 µF	(RST-HLT)
454	12735410/0	4	VITE	SCREW	VIS	SCHRAUBE	
455	12583500/0	4	GROWER	GROWER	GROWER	FEDERRING	
456	12293200/0	4	DADO	NUT	ECROU	MUTTER	
457	22207211/3	1	FLANGIA	FLANGE	BRIDE	FLANSCH	
458	22720360/1	1	SCHERMO VENTILAZIONE	VENTILATION SCREEN	ECRAN VENTILATION	LÜFTUNGSSCHIRM	
459	12793700/0	4	VITE	SCREW	VIS	SCHRAUBE	
460	12139440/0	1	LINGUETTA	FEATHER	CLAVETTE	KEIL	

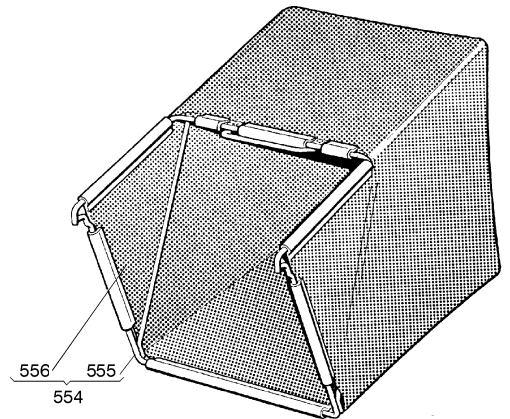
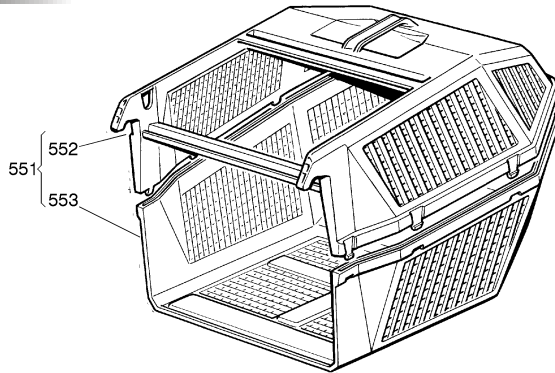
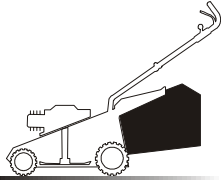


05T.001

Pos.	Code	Q.ty	Descrizione	Description	Description	Beschreibung	Remarks
501	22463186/2	1	MOZZO	HUB	MOYEU	HALTER	
502	81004360/3	1	COLTELLO STANDARD	BLADE STANDARD	LAME STANDARD	MESSER STANDARD	(39 cm)
-	81004365/3	1	COLTELLO STANDARD	BLADE STANDARD	LAME STANDARD	MESSER STANDARD	(44 cm)
503	12583500/0	2	GROWER	GROWER	GROWER	FEDERRING	
504	12793101/0	2	VITE	SCREW	VIS	SCHRAUBE	
505	81004352/0	1	VITE	SCREW	VIS	SCHRAUBE	

6

06D_001



06T_001

Pos.	Code	Q.ty	Descrizione	Description	Description	Beschreibung	Remarks
551	98005000/1	1	SACCO, COMPLETO	GRASSCATCHER, COMPLETE	SAC, COMPLETE	SACK, KOMPLETTE	
552	22486076/0	1	SACCO, PARTE SUP	GRASS-BOX, UPPER PART	SAC, PARTIE SUPERIEURE	KORB, OBERTEIL	
553	22486077/0	1	SACCO, PARTE INF	GRASS-BOX, LOWER PART	SAC, PARTIE INFERIEURE	KORB, UNTERTEIL	
554	98004000/0	1	SACCO IN TELA, COMPLETO	GRASSCATCHER, CANVASS COMPLETE	SAC EN TOILE, COMPLETE	SACK, KOMPLETTE	
555	81006408/0	1	TELAIO SACCO	CHASSIS BOX	CHÂSSIS BAC	RAHMEN SACK	
556	81002105/2	1	SACCO, TELA	BOX, FABRIC	SAC, TOILE	SACK, TUCK	