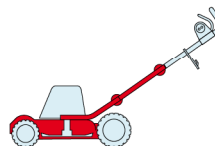
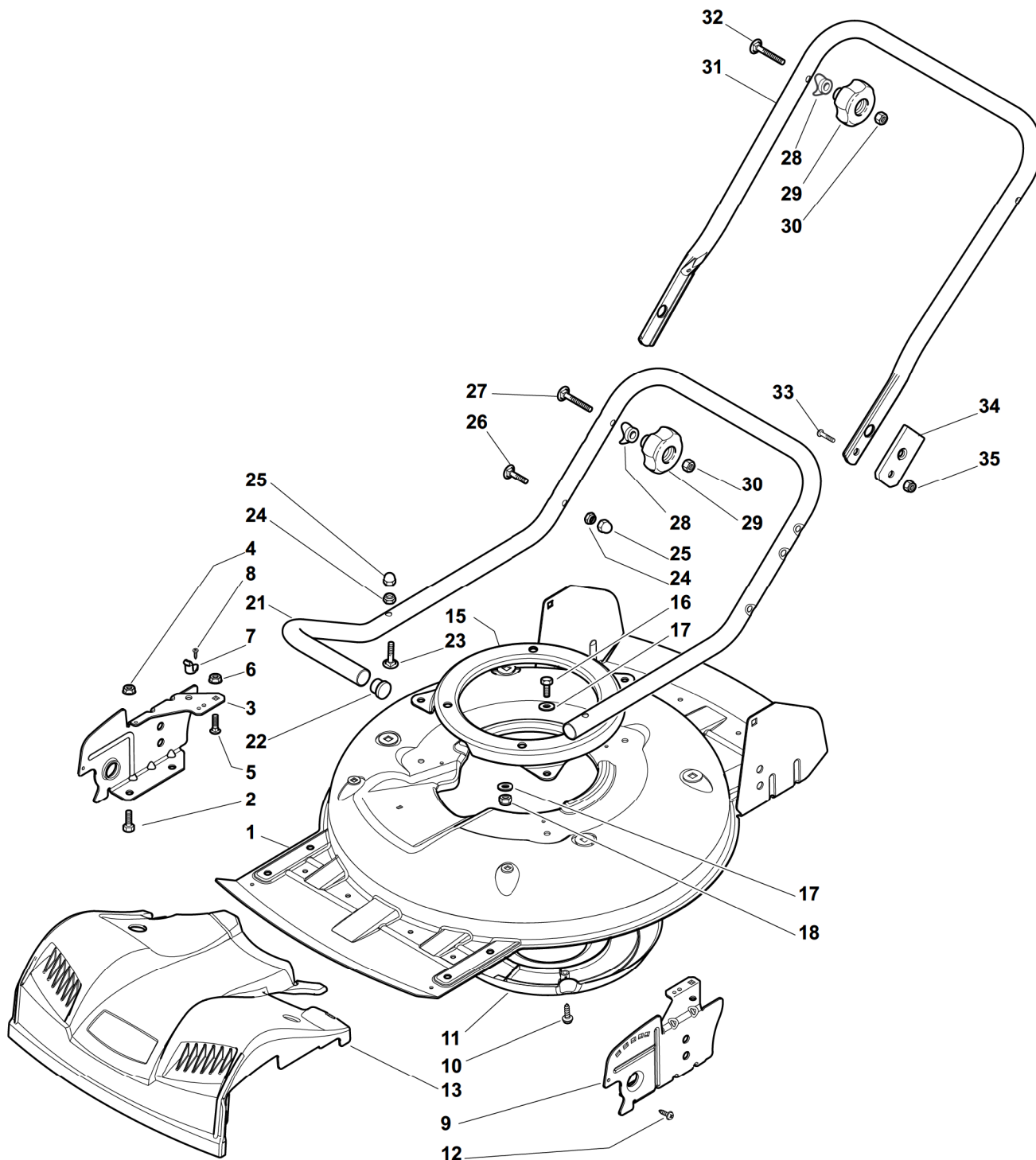


# MCS 500



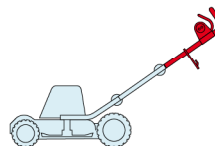
2009
<b>E29001.0</b>
1 / 2



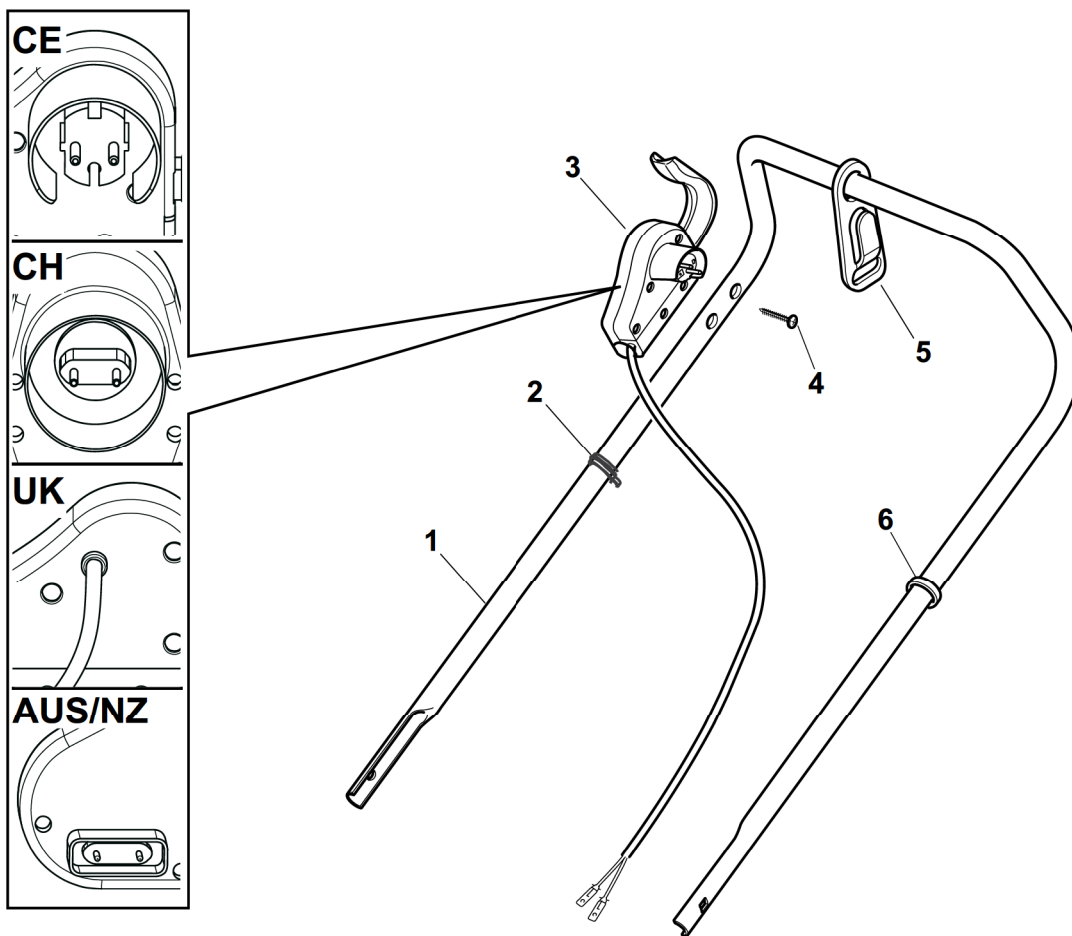
POS.	CODE	Q.TY	DESCRIZIONE	DESCRIPTION	DESCRIPTION	BESCHREIBUNG	REMARKS
1	81002907/1	1	Chassis Giallo	Deck Yellow	Châssis Jaune	Gehäuse Gelb	
2	12792611/0	4	Vite	Screw	Vis	Schraube	
3	22778419/0	1	Staffa Dx	Bracket, R	Bride D	Pratze, Rechte	
4	12293201/0	4	Dado	Nut	Ecrou	Mutter	
5	12815200/0	2	Vite	Screw	Vis	Schraube	
6	12292102/0	2	Dado	Nut	Ecrou	Mutter	
7	22020400/0	2	Aggancio	Fairlead	Support	Halter	

POS.	CODE	Q.TY	DESCRIZIONE	DESCRIPTION	DESCRIPTION	BESCHREIBUNG	REMARKS
8	12728523/0	2	Vite	Screw	Vis	Schraube	
9	22778421/0	1	Staffa Sx	Bracket, L	Bride G	Pratze, Linke	
10	12728530/0	3	Vite	Screw	Vis	Schraube	
11	22060220/0	1	Carter	Protection	Protection	Schutz	
12	12728450/0	2	Vite	Screw	Vis	Schraube	
13	22226097/0	1	Mascherina, Giallo	Mask, Yellow	Mesque, Jaune	Maske, Gelb	
13	22226098/0	1	Mascherina, Grigio	Mask, Grey	Mesque, Gris	Maske, Grau	
15	322207219/1	1	Flangia	Flange	Bride	Flansch	
16	12792611/0	3	Vite	Screw	Vis	Schraube	
17	12523060/0	6	Rosetta	Washer	Rondelle	Scheibe	
18	12293201/0	3	Dado	Nut	Ecrou	Mutter	
21	81006667/0	1	Manico, Parte Inf	Handle, Lower Part	Mancheron, Partie Infe- rieure	Holm, Unterteil	
22	18566110/0	2	Puntale	Cap	Bouchon	Gummistopfen	
23	12818900/0	4	Vite	Screw	Vis	Schraube	
24	12155000/0	4	Dado	Nut	Ecrou	Mutter	
25	18203854/0	4	Cappuccio	Protection	Capuchon	Stecker	
26	12818900/0	4	Vite	Screw	Vis	Schraube	
27	12819202/0	2	Vite	Screw	Vis	Schraube	
28	22680006/1	4	Rosetta	Washer	Rondelle	Scheibe	
29	322399804/1	4	Manopolina	Knob	Poignée	Griff	
30	12293200/0	4	Dado	Nut	Ecrou	Mutter	
31	81006669/0	1	Manico, Parte Intermedia	Handle, Middle Part	Mancheron	Holm	
32	12819201/0	2	Vite	Screw	Vis	Schraube	
33	12760475/0	2	Vite	Screw	Vis	Schraube	
34	22551578/0	2	Piastrina	Plate	Plaquette	Plättchen	
35	12154330/0	2	Dado	Nut	Ecrou	Mutter	

# MCS 500

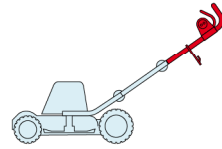


2009
<b>E29002.0</b>
1 / 1

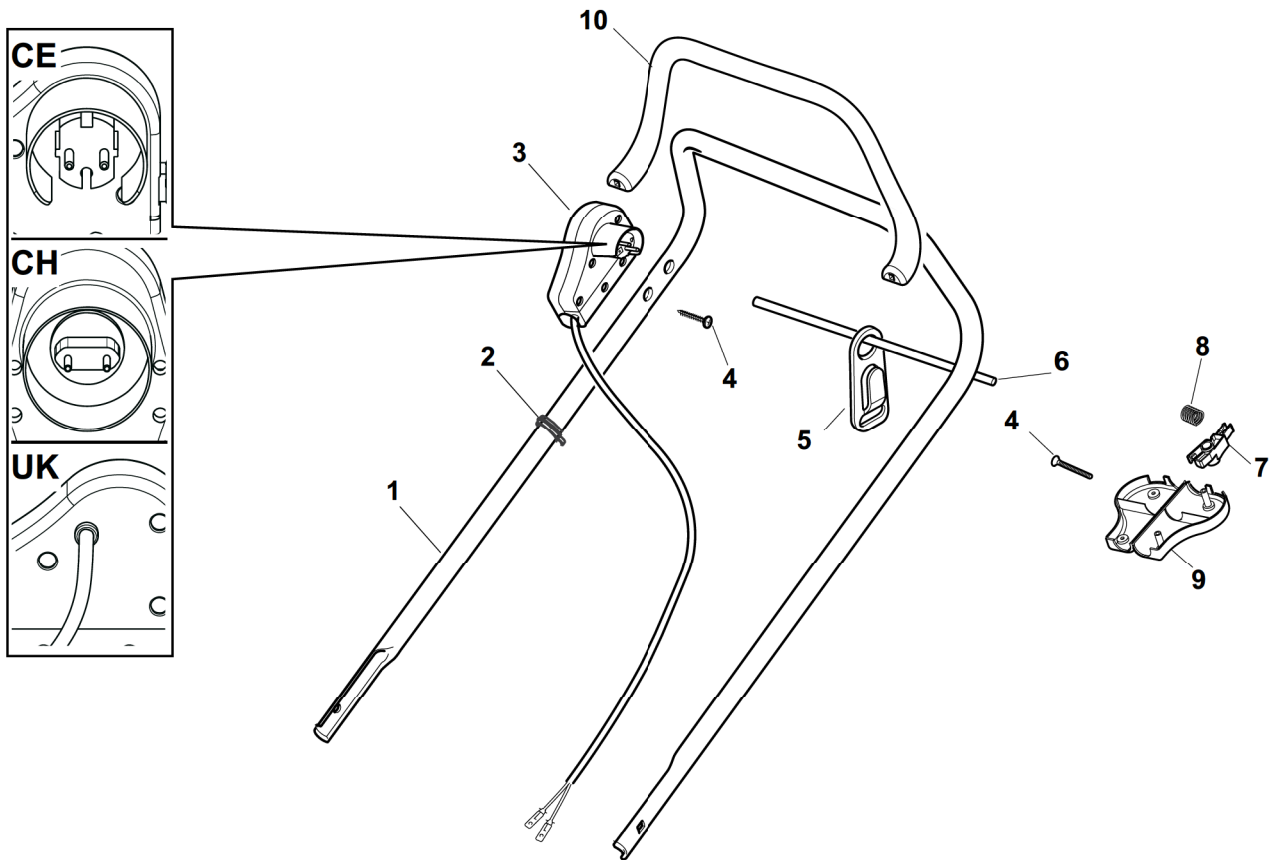


POS.	CODE	Q.TY	DESCRIZIONE	DESCRIPTION	DESCRIPTION	BESCHREIBUNG	REMARKS
1	81007017/2	1	Manico, Parte Sup	Handle, Upper Part	Mancheron, Partie Supérieure	Holm, Oberteil	
2	22192000/1	2	Fascetta	Anchor Clamp	Collier Ancrage	Bowdenzughalter	
3	81600500/1	1	Salvatore	Dead Hand Switch	Int. Main Morte	Tot Manschalter	CE
3	81600501/1	1	Salvatore	Dead Hand Switch	Int. Main Morte	Tot Manschalter	CH
3	81600502/1	1	Salvatore	Dead Hand Switch	Int. Main Morte	Tot Manschalter	UK
3	18710628/0	1	Salvatore	Dead Hand Switch	Int. Main Morte	Tot Manschalter	AUS/NZ
4	12728701/0	2	Vite	Screw	Vis	Schraube	
5	22195101/4	1	Fermacavo	Fairlead	Fixation Cable	Kabelbefestigung	
6	22192151/0	1	Fermacavo	Fairlead	Fixation Cable	Kabelbefestigung	

# MCS 500

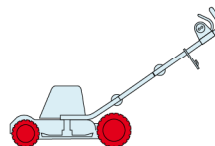


2009
<b>E29003.0</b>
1 / 1

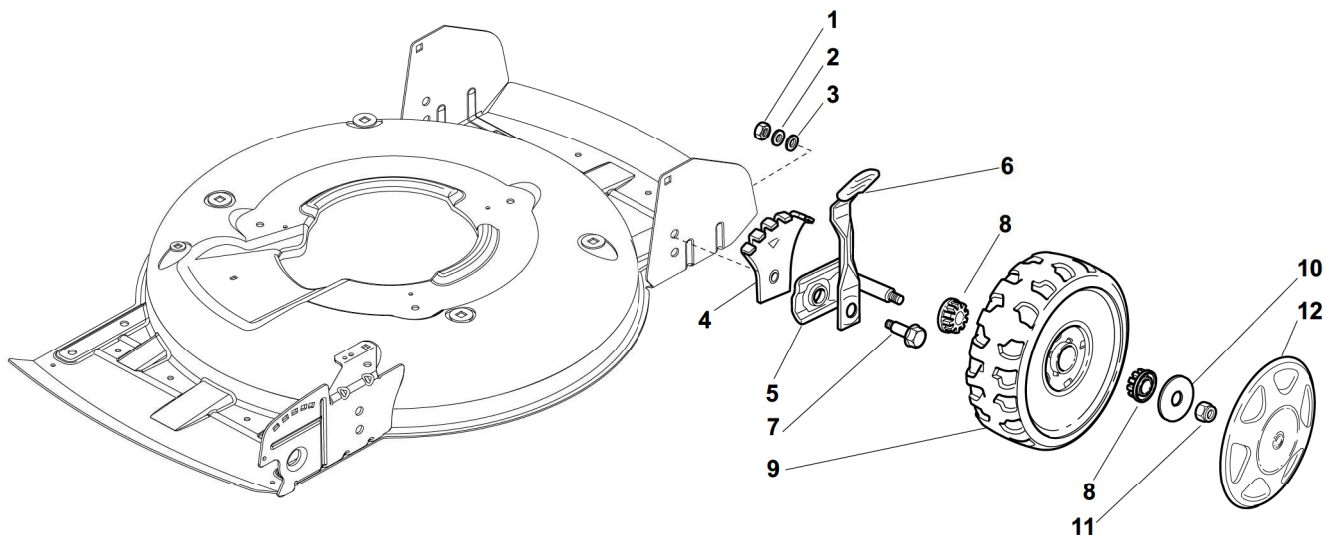


POS.	CODE	Q.TY	DESCRIZIONE	DESCRIPTION	DESCRIPTION	BESCHREIBUNG	REMARKS
1	81007017/2	1	Manico, Parte Sup	Handle, Upper Part	Mancheron, Partie Supérieure	Holm, Oberteil	
2	22192000/1	2	Fascetta	Anchor Clamp	Collier Ancrage	Bowdenzughalter	
3	381600503/2	1	Salvatore	Dead Hand Switch	Int. Main Morte	Tot Manschalter	CE
3	381600505/2	1	Salvatore	Dead Hand Switch	Int. Main Morte	Tot Manschalter	UK
3	381600504/2	1	Salvatore	Dead Hand Switch	Int. Main Morte	Tot Manschalter	CH
4	12728701/0	4	Vite	Screw	Vis	Schraube	
5	22195101/4	1	Fermacavo	Fairlead	Fixation Cable	Kabelbefestigung	
6	22010251/0	1	Asta Aggancio Fermacavo	Rod, Fairlead Bearing	Tige Support Serrecable	Stange, Kabelhalter	
7	322230350/1	1	Fulcro	Fulcrum Pin	Point D'Appui	Gelenkpunkt	
8	22450115/0	1	Molla	Spring	Ressort	Feder	
9	22785144/0	1	Supporto	Support	Support	Halter	
10	322322881/1	1	Leva Freno Motore, Nero	Lever, Engine Brake	Levier Frein Moteur	Hebel, Motorbremse	
10	322322885/1	1	Leva Freno Motore, Giallo	Lever, Engine Brake	Levier Frein Moteur	Hebel, Motorbremse	

# MCS 500

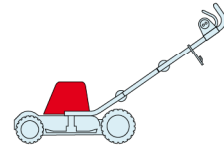


2009
<b>E29004.0</b>
1 / 1

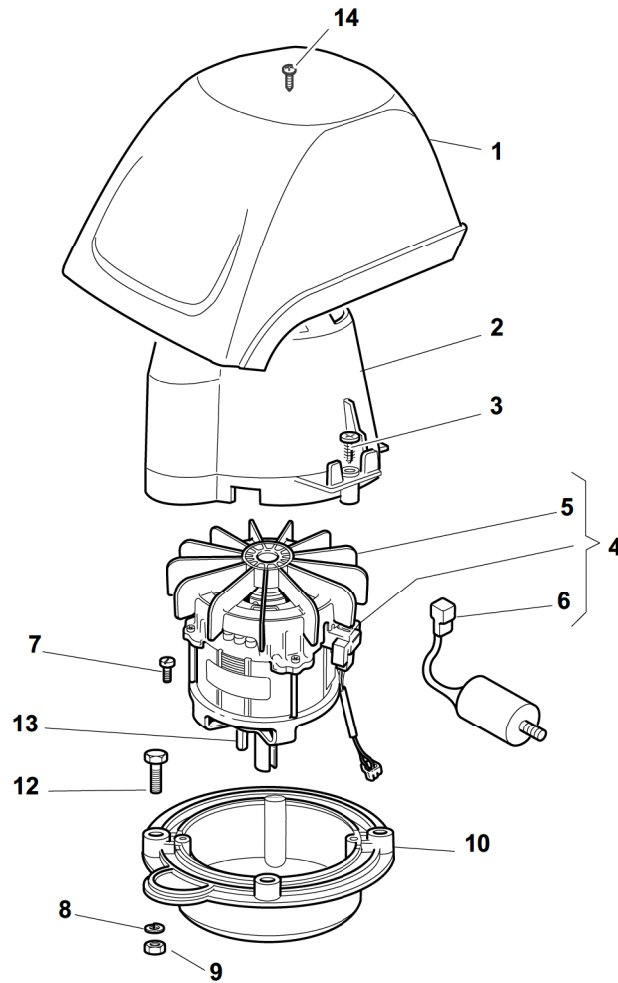


POS.	CODE	Q.TY	DESCRIZIONE	DESCRIPTION	DESCRIPTION	BESCHREIBUNG	REMARKS
1	12293200/0	4	Dado	Nut	Ecrou	Mutter	
2	12583500/0	4	Grower	Grower	Grower	Federring	
3	12523070/0	4	Rosetta	Washer	Rondelle	Scheibe	
4	22735547/0	4	Settore Regolazione Altezza	Sector, Height Adjustment	Secteur Reglage Hauteur	Sektor, Höheverstellung	
5	81005082/0	4	Supporto Ruota	Support, Wheel	Support Roue	Halter, Rad	
6	81003286/0	4	Leva Regolazione Altezza	Lever, Height Adjustment	Levier, Reglage Hauteur	Hebel, Höheverstellung	
7	22519811/0	4	Perno	Pin	Pivot	Bolzen	
8	22034508/0	8	Bussola	Bush	Douille	Buchse	
9	22686092/0	2	Ruota Ø 190	Wheel Ø 190	Roue Ø 190	Rad Ø 190	
10	12523060/0	4	Rosetta	Washer	Rondelle	Scheibe	
11	12155000/0	4	Dado	Nut	Ecrou	Mutter	
12	-	4	Coprimozzo	Hub Cap	Couvre-Moyeu	Radkappe	(See Enclosure 2)

# MCS 500

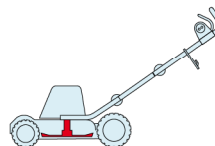


2009
<b>E29005.0</b>
1 / 1

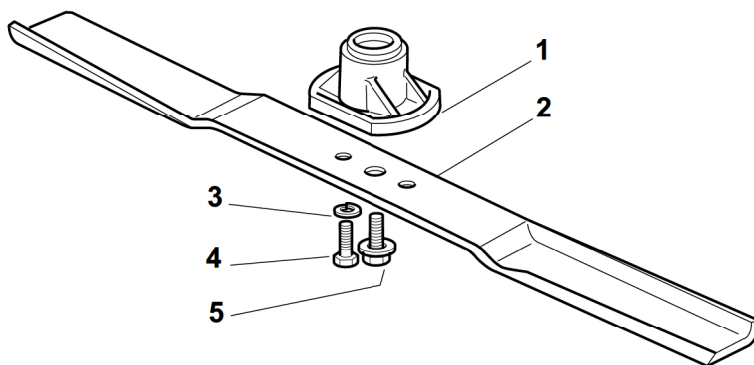


POS.	CODE	Q.TY	DESCRIZIONE	DESCRIPTION	DESCRIPTION	BESCHREIBUNG	REMARKS
1	-	1	Capottina	Cover	Capot	Haube	(See Enclosure 6)
2	22785061/0	1	Supporto Capottina	Support, Cover	Support Capot	Halter, Haube	
3	12728710/0	4	Vite	Screw	Vis	Schraube	
4	118563665/0	1	Motore Leo	Motor Leo	Moteur Leo	Motor Leo	230V (1600W)
4	18563605/0	1	Motore Atb	Motor Atb	Moteur Atb	Motor Atb	230V (1600W)
5	18740054/0	1	Ventola Per Motore Atb	Fan Motor Atb	Ventilateur Moteur Atb	Lüfter Motor Atb	
6	18222045/0	1	Condensatore 16 µf	Condenser 16 µf	Condenseur 16 µf	Kondensator 16 µf	(Atb)
7	12735410/0	4	Vite	Screw	Vis	Schraube	
8	12583500/0	4	Grower	Grower	Grower	Federring	
9	12293200/0	4	Dado	Nut	Ecrou	Mutter	
10	322207211/4	1	Flangia	Flange	Bride	Flansch	
12	12793700/0	4	Vite	Screw	Vis	Schraube	
13	12139440/0	1	Linguetta	Feather	Clavette	Keil	
14	12728680/0	2	Vite	Screw	Vis	Schraube	

# MCS 500



2009
<b>E29006.0</b>
1 / 1



POS.	CODE	Q.TY	DESCRIZIONE	DESCRIPTION	DESCRIPTION	BESCHREIBUNG	REMARKS
1	322463186/3	1	Mozzo	Hub	Moyeu	Halter	
2	81004146/0	1	Coltello Standard	Blade Standard	Lame Standard	Messer Standard	
3	12583500/0	2	Grower	Grower	Grower	Federring	
4	12793101/0	2	Vite	Screw	Vis	Schraube	
5	81004352/0	1	Vite	Screw	Vis	Schraube	