

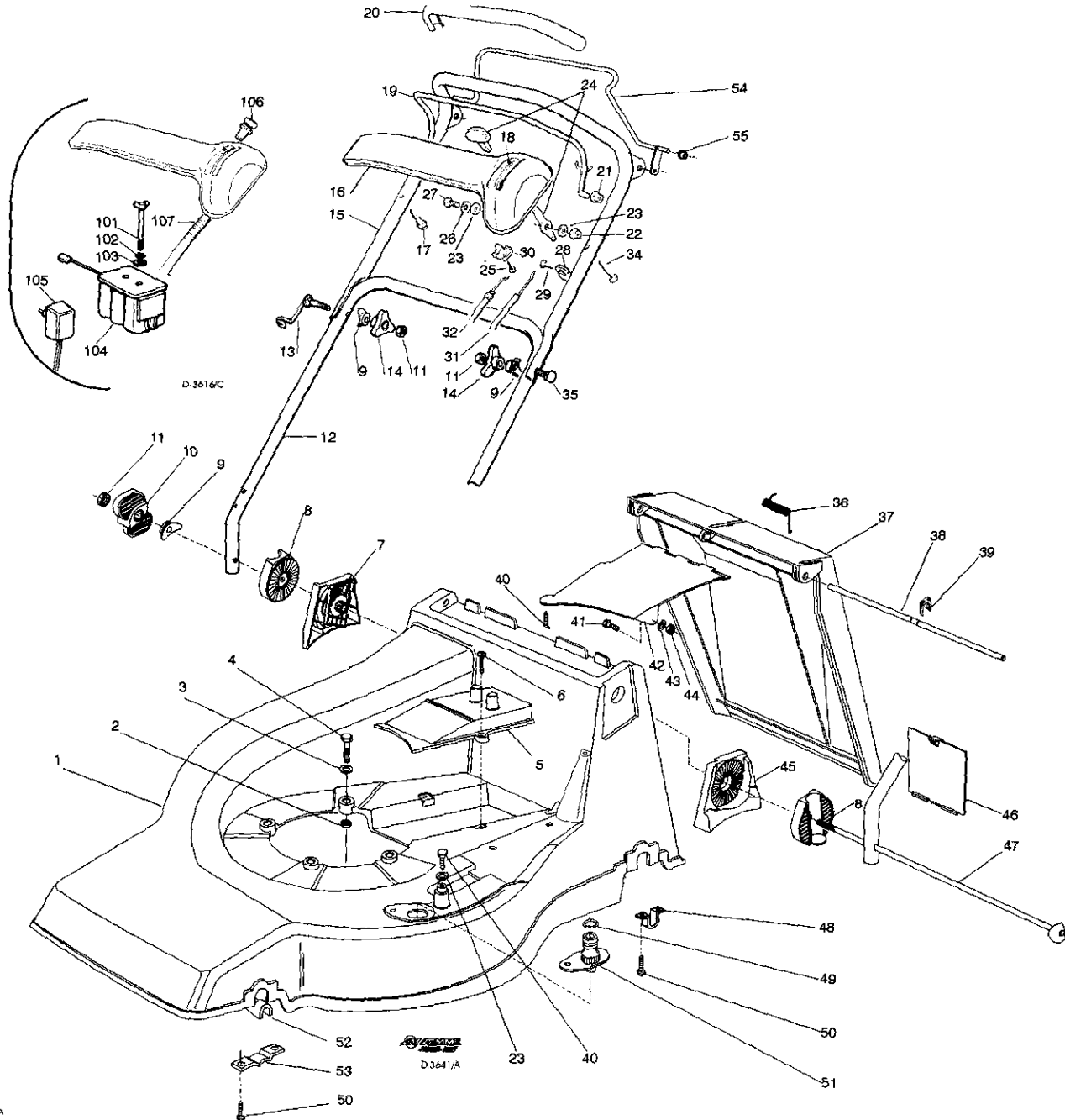
VISTE ESPLOSE
EXPLODED VIEWS

VUES ECLATEES
SPRENGZEICHNUNGEN

PAN 504 TR
PAN 504 TR-E

Mod. 1998

CHASSIS - MANICO - COMANDI - DOTAZIONE VITERIE
DECK - HANDLE - CONTROLS - SCREWS OUTFITS
CHÂSSIS - MANCHERON - COMMANDES - DOTATION VISSERIE
GEHÄUSE - HOLM - BETÄTIGUNGEN - SCHRAUBENSATZ

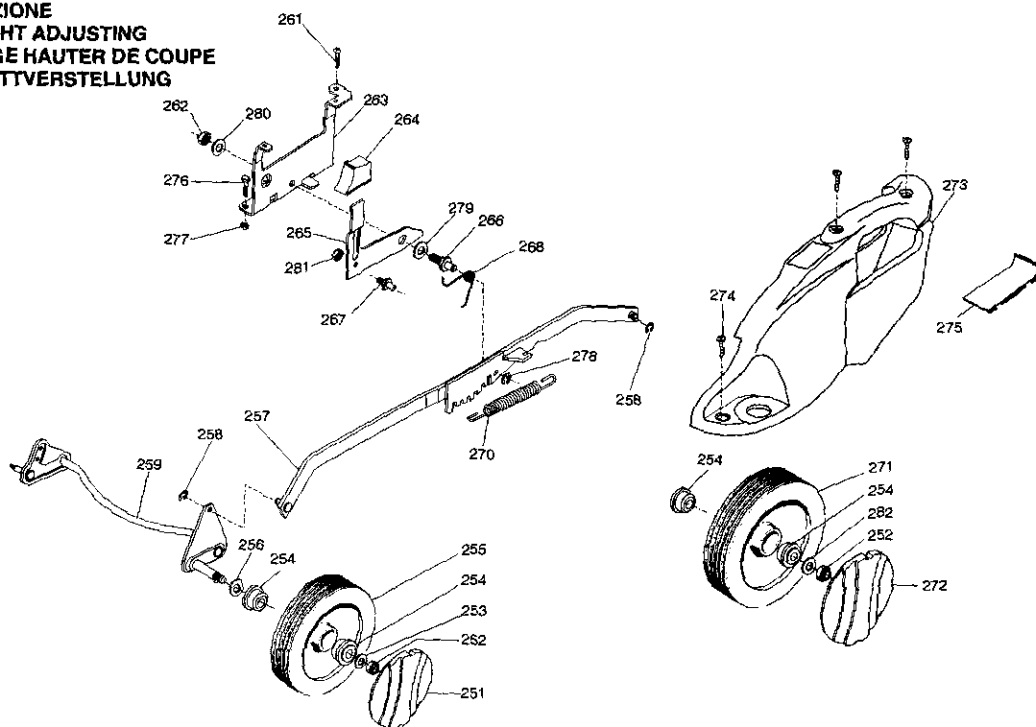


T-3641/A

Pos. Nr.	Codice Kodex Code	Descrizione	Description	Description	Beschreibung	Q.tà Q.ty Q.te Menge
1	81001714/0	CHASSIS ROSSO	RED DECK	CHÂSSIS ROUGE	ROTES GEHÄUSE	1
—	81001715/0	CHASSIS GIALLO	YELLOW DECK	CHÂSSIS JAUNE	GELBES GEHÄUSE	1
—	81001716/0	CHASSIS VERDE	GREEN DECK	CHÂSSIS VERT	GRÜNES GEHÄUSE	1
2	12155000/0	DADO	NUT	ECROU	MUTTER	3
3	12521350/0	RONDELLA	WASHER	RONDELLE	SCHEIBE	3
4	12691800/0	VITE	SCREW	VIS	SCHRAUBE	3
5	22060181/0	CARTER CINGHIA	BELT PROTECTION	PROTECTION COURROIRE	RIEMENSCHUTZ	1
6	12728522/0	VITE	SCREW	VIS	SCHRAUBE	2
7	22785077/0	SUPPORTO INTERNO DX	RH INTERNAL SUPPORT	SUPPORT INTERNE DROIT	INNENHALTERUNG RECHTS	1
8	22785076/0	SUPPORTO ESTERNO	EXTERNAL SUPPORT	SUPPORT EXTERNE	AUßENHALTERUNG	2
9	22680006/1	RONDELLA	WASHER	RONDELLE	SCHEIBE	3
10	22399803/0	MANOPOLINA	KNOB	POIGNÉE	GRIFF	1
11	12293200/0	DADO	NUT	ECROU	MUTTER	3
12	81007033/0	PARTE INF. MANICO	LOWER HANDLE	PARTIE INF. MANCHERON	UNTERHOLM	1
13	81003801/0	MOLLA GUIDA	SPRING	RESSORT	FEDER	1
14	22399900/0	MANOPOLINA	KNOB	POIGNÉE	GRIFF	2
15	81007024/0	PARTE SUP. MANICO	UPPER HANDLE	PARTIE SUP. MANCHERON	OBERHOLM	1

Pos. Nr.	Codice Kodex Code	Descrizione	Description	Description	Beschreibung	Q.tà Q.ty Q.tè Menge
16	22120154/0	CRUSCOTTO ROSSO	RED DASH BOARD	CONSOLE ROUGE	ROTE KONSOLE	1
—	22120152/0	CRUSCOTTO GIALLO	YELLOW DASH BOARD	CONSOLE JAUNE	GELBE KONSOLE	1
—	22120158/0	CRUSCOTTO NERO	BLACK DASH BOARD	CONSOLE NOIRE	SCHWARZE KONSOLE	1
17	22943006/0	VITE	SCREW	VIS	SCHRAUBE	1
18	14356743/0	ETICHETTA (TECUMSEH-HONDA)	LABEL (TECUMSEH-HONDA)	ETIQUETTE (TECUMSEH-HONDA)	ETIKETTE (TECUMSEH-HONDA)	1
—	14356744/0	ETICHETTA (B&S)	LABEL (B&S)	ETIQUETTE (B&S)	ETIKETTE (B&S)	1
19	81003291/2	LEVA FRENO MOTORE	BRAKE LEVER	LEVIER FREIN MOTEUR	MOTORBREMSEHEBEL	1
20	22291050/0	IMPUGNATURA MANICO NERA	BLACK HANDGRIP	POIGNÉE NOIRE	SCHWARZER HANDGRIFF	1
—	22291051/0	IMPUGNATURA MANICO ROSSA	RED HANDGRIP	POIGNÉE ROUGE	RÖTER HANDGRIFF	1
—	22291052/0	IMPUGNATURA MANICO GIALLA	YELLOW HANDGRIP	POIGNÉE JAUNE	GELBER HANDGRIFF	1
21	22041966/0	BOCCOLA	BUSH	DOUILLE	BUCHSE	2
22	12154510/0	DADO	NUT	ECROU	MUTTER	1
23	12523040/0	RONDELLA	WASHER	RONDELLE	SCHEIBE	3
24	81007280/2	ASS. LEVA + MANOPOLINA	LEVER + KNOB ASS. Y	ENS. LEVIER + POIGNÉE	HEBEL + GRIFF SATZ	1
25	12735105/0	VITE	SCREW	VIS	SCHRAUBE	2
26	12530080/0	RONDELLA ELASTICA	SPRING WASHER	RONDELLE ELASTIQUE	ELASTISCHE SCHEIBE	1
27	12791500/0	VITE	SCREW	VIS	SCHRAUBE	1
28	81003288/1	SUPPORTO	SUPPORT	SUPPORT	HALTER	1
29	22041965/0	VITE	SCREW	VIS	SCHRAUBE	1
30	22981467/0	PIASTRINA	PLAQUE	PLAQUETTE	PLATTE	1
31	81007160/0	CAVO ACCELERATORE	THROTTLE CABLE	CABLE ACCELERATEUR	BESCHLEUNIGER KABEL	1
32	81000633/0	CAVO FRENO MOTORE	THREAD MOTOR BRAKE	CABLE FREIN MOTEUR	MOTORBREMSEKABEL	1
33	22038399/0	BRONZINA	BUSH	DOUILLE	BUCHSE	2
34	12728460/0	VITE	SCREW	VIS	SCHRAUBE	1
35	12819201/0	VITE	SCREW	VIS	SCHRAUBE	1
36	22450270/0	MOLLA	SPRING	RESSORT	FEDER	1
37	22600023/2	PARASASSI	STONE-GUARD	PARE-PIERRES	PRALLBLECH	1
38	22517857/0	PERNO	PIN	PIVOT	BOLZEN	1
39	12436050/0	PIASTRINA	PLATE	PLAQUETTE	PLATTE	1
40	12729600/0	VITE	SCREW	VIS	SCHRAUBE	1
41	12789000/0	VITE	SCREW	VIS	SCHRAUBE	1
42	22108205/0	CONVOGLIATORE	CONVEYOR	CONVOYEUR	KONVEYOR	1
43	12523020/0	RONDELLA	WASHER	RONDELLE	SCHEIBE	1
44	12154330/0	DADO	NUT	ECROU	MUTTER	1
45	22785078/0	SUPPORTO INTERNO SX	LH INTERNAL SUPPORT	SUPPORT INTERNE GAUCHE	INNENHALTERUNG LINKS	1
46	22595352/0	PORTINA CHIUSURA	INSPECTION DOOR	VOYANT DE VISITE	ABDECKPLATTE	1
47	81001208/0	PERNO	PIN	PIVOT	BOLZEN	1
48	22545152/0	PIASTRINA	PLATE	PLAQUETTE	PLATTE	2
49	19035000/0	ANELLO OR	OR RING	BAGUE OR	RING OR	1
50	12731350/0	VITE	SCREW	VIS	SCHRAUBE	8
51	22034000/0	ATTACCO ACQUA LAVAGGIO	WASHING CONNECTION	ATTAQUE LAVAGEWASCHENVERBINDUNG		1
52	22038400/1	BRONZINA	BUSH	DOUILLE	BUCHSE	2
53	22545156/0	PIASTRINA	PLATE	PLAQUETTE	PLATTE	2
54	81003286/1	LEVA	LEVER	LEVIER	HEBEL	1
55	22014965/0	BUSSOLA	BUSH	DOUILLE	BUCHSE	2
—	81008621/0	DOTAZIONE VITERIA	SCREWS OUTFIT	DOTATION VISSERIE	SCHRAUBEN SATZ	1
—	81008609/0	DDTAZIONE CRUSCOTTO	DASH-BOARD OUTFIT	DOTATION CONSOLE	KONSOLE SATZ	1
VARIANTI PER AVVIAMENTO						
T-3516/C		VARIANTI PER AVVIAMENTO ELETTRICO	PARTS FOR ELECTRIC START	COMPOSANTS POUR DÉMARRAGE ÉLECTRIQUE	ELEKTROSTART BESTANDTEILE	
101	22517855/0	PERNO	PIN	PIVOT	BOLZEN	2
102	12523000/0	RONDELLA	WASHER	RONDELLE	SCHEIBE	2
103	12540020/0	RONDELLA	WASHER	RONDELLE	SCHEIBE	2
104 *	18120050/0	BATTERIA	BATTERY	BATTERIE	BATTERIE	1
105 *	18204110/0	CARICA BATTERIA	BATTERY CHARGER	CHARGEUR DE BATTERIE	LADGERÄT	1
106	18450050/0	INTERRUPTORE	SWITCH	INTERRUPTEUR	SCHALTER	1
107	18204190/2	CAVO AVVIAMENTO	START CABLE	CABLE DÉMARRAGE	STARTKABEL	1

**RUOTE E REGOLAZIONE
WHEELS AND HEIGHT ADJUSTING
ROUES ET REGLAGE HAUTER DE COUPE
RÄDER UND SCHNITTVERSTELLUNG**

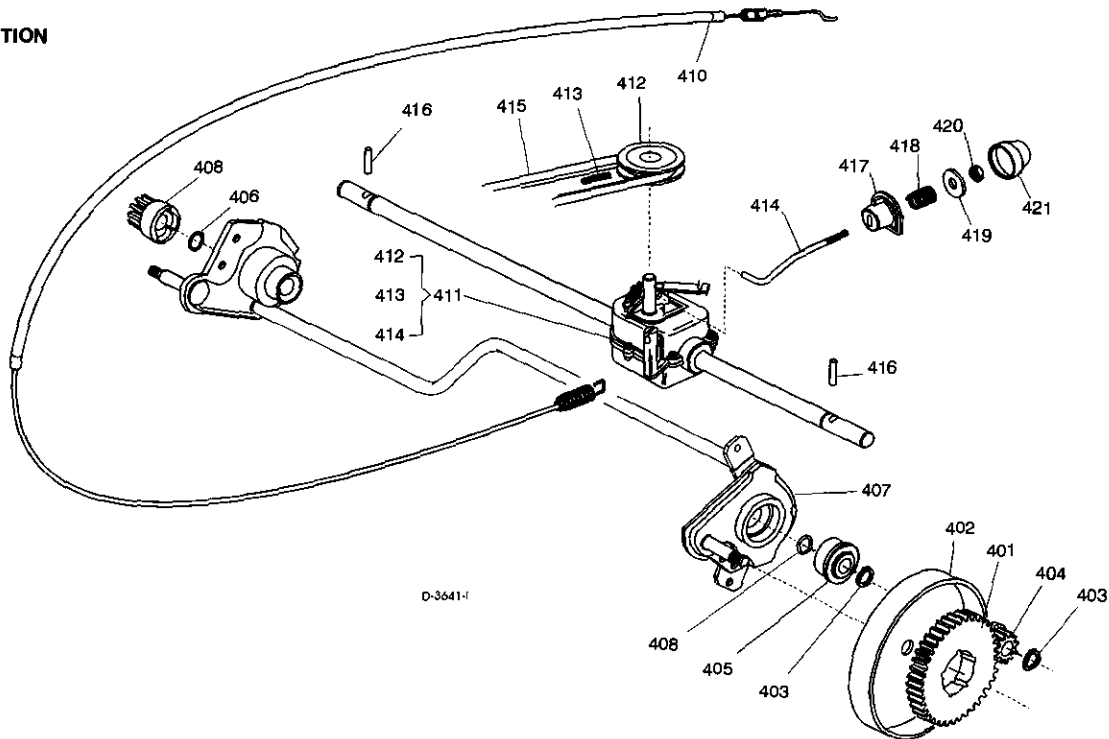


0-3841-F

DOVENDO SOSTITUIRE IN GARANZIA LE PARTI CONTRASSEGNAE CON «*» RIVOLGERSI AL COSTRUTTORE DEL MOTORE.
IF YOU HAVE TO CHANGE THE PIECES INDICATED WITH «*» ON WARRANTY YOU ADDRESS TO AFTER SALES SERVICE OF ENGINE MANUFACTURER.
SI VOUS DEVEZ SUBSTITUER LES PIECES INDIQUEES AVEC «*» SOUS GARANTIE VOUS DEVEZ VOUS ADRESSER AU SERVICE APRES VENTES DE LA MAISON CONSTRUCTRICE DU MOTEUR.
BITTE WENDEN SIE SICH BEI GARANTIEREPARATUREN DER MIT «*» GEKENNZEICHNETEN TEILE AN DIE KUNDENDIENSTSTELLE DES MOTORHERSTELLER.

Pos. Nr.	Codice Kodex Code	Descrizione	Description	Description	Beschreibung	Q.tà Q.ty Q.tà Menge
251	22110251/0	COPRIMOZZO BIANCO Ø 210	WHITE HUB CAP Ø 210	COUVRE-MOYEU BLANC Ø 210	WEIÙE RADKAPPE Ø 210	2
—	22110253/0	COPRIMOZZO GIALLO Ø 210	YELLOW HUB CAP Ø 210	COUVRE-MOYEU JAUNE Ø 210	GELBE RADKAPPE Ø 210	2
—	22110256/0	COPRIMOZZO ROSSO Ø 210	RED HUB CAP Ø 210	COUVRE-MOYEU ROUGE Ø 210	ROTE RADKAPPE Ø 210	2
252	12155000/0	DADO	NUT	ECROU	MUTTER	4
253	12521350/0	RONDELLA	WASCHER	RONDELLE	SCHEIBE	2
254	22122200/0	CUSCINETTO	BEARING	COUSSINET	LAGER	8
255	81007311/0	RUOTA SCOLPITA Ø 170	KNOBBLY WHEEL Ø 170	ROUE SCULPTEE Ø 170	RAD. M. STOLLENPR. Ø 170	2
256	12530150/0	RONDELLA	WASCHER	RONDELLE	SCHEIBE	2
257	81001135/0	ASTA COMANDO	ADJUSTMENT ROD	TIGE COMMANDE	STELLSTAB	1
258	12000930/0	ANELLO ELASTICO	ELASTIC RING	ANNEAU ELASTIQUE	ELASTISCHER RING	2
259	81002801/0	ASSE RUOTE ANTERIORI	FRONT WHEELS AXLE	AXE ROUES AVANT	VORDERRADACHSE	1
261	12731350/0	VITE	SCREW	VIS	SCHRAUBE	1
262	12155000/0	DADO	NUT	ECROU	MUTTER	1
263	22785115/0	SUPPORTO REGOLAZIONE	ADJUSTMENT SUPPORT	SUPPORT REGLAGE	VERSTELLUNGHALTER	1
264	22602000/0	PULSANTE COMANDO LEVA	LEVER CONTROL PUSHBUTTON	BOUTON DE COMMANDE LEVIER	STEUERHEBELDRUCKKNOPF	1
265	22322829/0	LEVA REGOLAZIONE	ADJUSTMENT LEVER	LEVIER REGLAGE	VERSTELLUNGHEBEL	1
266	22517880/0	PERNO	PIN	PIN	BOLZEN	1
267	22519746/0	PERNO	PIN	PIVOT	BOLZEN	1
268	22446176/0	MOLLA	SPRING	RESSORT	FEDER	1
270	22446180/0	MOLLA	SPRING	RESSORT	FEDER	1
271	81007313/0	RUOTA SCOLPITA Ø 210	KNOBBLY WHEEL Ø 210	ROUE SCULPTEE Ø 210	RAD. M. STOLLENPR. Ø 210	2
272	22110252/0	COPRIMOZZO BIANCO Ø 270	WHITE HUB CAP Ø 270	COUVRE-MOYEU BLANC Ø 270	WEIÙE RADKAPPE Ø 270	2
—	22110254/0	COPRIMOZZO GIALLO Ø 270	YELLOW HUB CAP Ø 270	COUVRE-MOYEU JAUNE Ø 270	GELBE RADKAPPE Ø 270	2
—	22110255/0	COPRIMOZZO ROSSO Ø 270	RED HUB CAP Ø 270	COUVRE-MOYEU ROUGE Ø 270	ROTE RADKAPPE Ø 270	2
273	22060146/0	CARTER REGOLAZIONE	ADJUSTMENT DECK	CHÄSSIS REGLAGE	VERSTELLUNGSGEHÄUSE	1
274	12728520/0	VITE	SCREW	VIS	SCHRAUBE	4
275	22546070/0	PIASTRINA	PLAQUE	PLAQUETTE	PLATTE	1
276	12793301/0	VITE	SCREW	VIS	SCHRAUBE	2
277	12293201/0	DADO	NUT	ECROU	MUTTER	2
278	12000930/0	ANELLO	RING	ANNEAU	RING	1
279	22672151/0	RONDELLA	WASCHER	RONDELLE	SCHEIBE	1
280	22672151/0	RONDELLA	WASCHER	RONDELLE	SCHEIBE	1
281	12154510/0	DADO	NUT	ECROU	MUTTER	1
282	12369500/0	DISCO ELASTICO	ELASTIC WASHER	RONDELLE ELASTIQUE	ELASTISCHE SCHEIBE	2

**GRUPPO TRAZIONE
REAR DRIVE
GROUPE TRACTION
ANTRIEB**

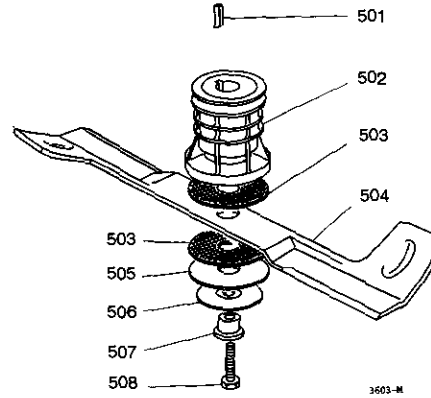


D-3641-I

401	22120105/1	CORONA	RING GEAR	COURONNE	KRANZ	2
402	81006846/0	PROTEZIONE RUOTE	WHEEL GUARD	PROTECTION ROUE	RÄDERSCHUTZ	2
403	12608600/0	SEEGER	SEEGER	SEEGER	SEEGER	4
404	22570120/0	PIGNONE SINISTRO	LEFT PINION	PIGNON GAUCHE	LINKES RITZEL	1
405	22122200/0	CUSCINETTO	BEARING	ROULEMENT	KUGELLAGER	2
406	12019900/0	ANELLO OR	OR RING	BAGUE OR	RING OR	2
407	81002808/1	ASSE RUOTE POSTERIORI	REAR WHEELS AXLE	AXE ROUES ARRIERE	HINTERRADACHSE	1
408	22570110/0	PIGNONE DESTRO	RIGHT PINION	PIGNON DROITE	RECHTES RITZEL	1
410	81001145/0	ASS. COMANDO TRAZIONE	REAR DRIVE ASS.Y	ENS. COMMANDE TRACTION	ANTRIEBKABEL	1
411	81003070/0	ASS. GRUPPO TRAZIONE	REAR DRIVE ASS.Y	ENS. GROUPE TRACTION	ANTRIEBSATZ	1
412	22601904/0	PULEGGIA	PULLEY	POULIE	RIEMENSCHIEBE	1
413	12645705/0	SPINA	PIN	GOUILLE	STIFT	1
414	22033281/0	ASTA REGOLAZIONE	ADJUSTMENT ROD	TIGE REGLAGE	VERSTELLUNGSTANGE	1

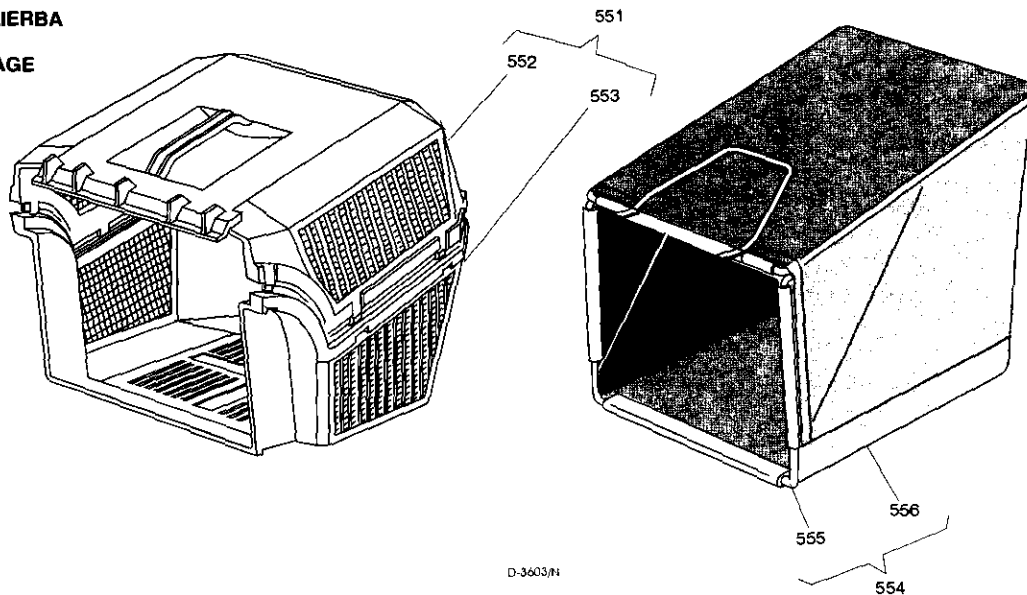
Pos. Nr.	Codice Kodex Code	Descrizione	Description	Description	Beschreibung	Q.tà Q.ty Q.tè Menge
415	35064195/0	CINGHIA Z 33	BELT Z 33	COURROIRE Z 33	RIEMEN Z 33	1
416	22753000/0	SPINA	PIN	GOUPILLE	STIFT	2
417	22041957/0	BUSSOLA	BUSH	DOUILLE	BUCHSE	1
418	22450063/0	MOLLA	SPRING	RESSORT	FEDER	1
419	22680009/0	RONDELLA	WASHER	RONDELLE	SCHEIBE	1
420	12154510/0	DADO	NUT	ECROU	MUTTER	1
421	22110230/0	TAPPO	CAP	BOUCHON	GUMMISTOPFEN	1

**GRUPPO COLTELLO
BLADE ASS.Y
GROUPE LAME
MESSERSATZ**



501	12139100/0	LINGUETTA	FEATHER	CLAVETTE	KEIL	1
502	22465611/0	MOZZO	HUB	MOYEU	NABE	1
503	22672110/1	RONDELLA FRIZIONE	CLUTCH WASHER	RONDELLE FRICTION	KUPPLUNGSSCHEIBE	2
504	81004395/1	COLTELLD	BLADE	LAME	MESSER	1
505	12508120/0	MOLLA A TAZZA	CUPPED SPRING	RESSORT	TELLER FEDER	1
506	22672105/0	RONDELLA	WASHER	RONDELLE	SCHEIBE	1
507	22041940/0	BUSSOLA FRIZIONE	CLUTCH BUSH	DOUILLE FRICTION	KUPPLUNGSSCHEIBE	1

**SACCO RACCOGLIERBA
GRASS-CATCHER
BAC DE RAMASSAGE
GRASFANGKORB**



508	12736850/0	VITE	SCREW	VIS	SCHRAUBE	1
551	96500000/0	SACCO COMPLETO	COMPLETE GRASS-BOX	BAC CDMPLTE	KOMPLETER KORB	1
552	22486065/0	PARTE SUPER. SACCO	UPPER GRASS-BOX	PARTE SUPERIEURE SAC	OBERKDRB	1
553	22486064/0	PARTE INFER. SACCO	LOWER GRASS-BOX	PARTE INFERIEURE SAC	UNTERKORB	1
554	96400000/0	ASS. SACCO TELA	CANVASS GRASSCATCHER ASS.Y	ENSEMBLE SAC EN TOILE	KOMPLETTER SACK	1
555	81006430/0	TELAIO	CHASSIS	CHASSIS	RAHMEN	1
556	81002124/0	TELA SACCO	FABRIC BOX	TOILE POUR SAC	TUCK FÜR SACK	1