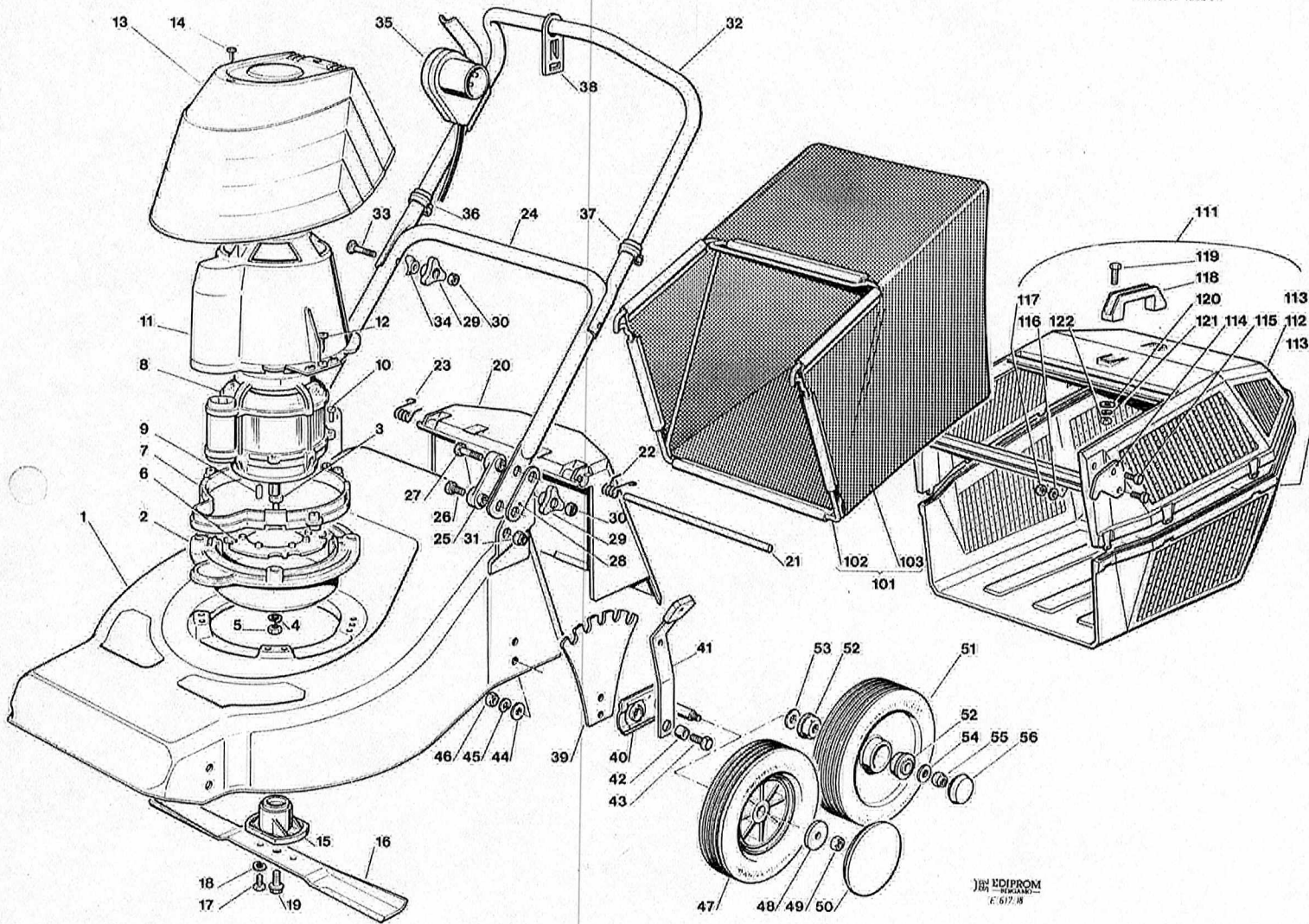


Kasner®

VISTE ESPLOSE
EXPLODED VIEWS
VUES ECLATEES
SPRENGZEICHNUNGEN

R 480

Mod. 1991



EDIPROM
E 617/8

Pos. Nr.	Codice Kodex Code	Descrizione	Description	Description	Beschreibung	Q.tà Q.ty Q.tè Menge
1	81000952/0	CHASSIS ROSSO	RED DECK	CHASSIS ROUGE	ROT GEHÄUSE	1
2	22207211/3	FLANGIA	FLANGE	BRIDE	FLANSCH	1
3	12793700/0	VITE	SCREW	VIS	SCHRAUBE	4
4	12583500/0	GROWER	NUT	ECROU	NUTTER	4
5	12293200/0	DADO	GROWER	GROWER	FEDERRING	4
6	22720355/0	SCHERMO VENTILAZIONE	VENTILATION SCREEN	ECROU VENTILATION	ÜFTUNGSCHEITM	1
7	22174006/1	DISTANZIALE	SPACER	ENTRETOISE	DISTANZIARING	1
8	18563000/0	MOTORE RST 1300W C/F	RST 1300W ENGINE WITH BRAKE	MOTEUR RST 1300W	MOTOR RST 1300W	1
8A	18563006/0	MOTORE RST 1500W C/F	RST 1500W ENGINE WITH BRAKE	MOTEUR RST 1500W A/FREIN	MOTOR RST 1500W	1
8B	18740051/0	VENTOLA PER MOTORE RST	RST ENGINE FAN	VENTILATEUR MOTEUR RST	RST LÜFTER	1
8C	18563027/0	MOTORE IBMEI 1300W S/F	IBMEI ENGINE 1300W WITHOUT BRAKE	MOTEUR IBMEI 1300W S/FREIN	MOTOR IBMEI 1300W O/BREMSE	1
8D	18222037/0	CONDENSATORE 16 MF	CONDENSER 16 MF	CONDENSEUR 16 MF	KONDENSATORE 16 MF	1
8E	18563028/0	MOTORE IBMEI 1500W S/F	IBMEI ENGINE 1500W WITHOUT BRAKE	MOTEUR IBMEI 1500W S/FREIN	IBMEI MOTOR O/BREMSE 1500W	1
8F	18563044/0	MOTORE IBMEI 1500W/240 V.	IBMEI ENGINE 1500W/240V.	MOTEUR IBMEI 1500W/240V.	IBMEI MOTOR 1500W/240V.	1
8G	18222038/0	CONDENSATORE 20 µF	CONDENSER µF	CONDENSEUR 20 µF	KONDENSATOR 20 µF	1
8H	18740049/0	VENTOLA PER MOTORE IBMEI	IBMEI ENGINE FAN	VENTILATEUR MOTEUR IBMEI	IBMEI LÜFTER	1
8I	18398015/1	FLANGIA INFERIORE IBMEI	LOWER FLANGE IBMEI	BRIDE INF. IBMEI	UNTER FLANSCH IBMEI	1
8L	18398025/2	FLANGIA SUPERIORE IBMEI	UPPER FLANGE IBMEI	BRIDE SUP. IBMEI	OBER FLANSCH IBMEI	1
9	12139440/0	LINGUETTA	FEATHER	CLAVETTE	KEIL	1
10	12735410/0	VITE	SCREW	VIS	SCHRAUBE	4
11	22785060/1	SUPPORTO CAPPOTTINA	COVER SUPPORT	SUPPORT CAPOT	HAUBEHALTER	1



CASTEL GARDEN EQUIPMENT spa
I - 31033 CASTELFRANCO VENETO - ITALY
TF (0423) 493161 - TX 433359 GARDEN ITALY
FAX (0423) 498404

CN 71502715/1
Printed in Italy by TYP'0

Pos. Nr.	Codice Kodex Code	Descrizione	Description	Description	Beschreibung	Q. tà Q. ty Q. të Menge
12	12728710/0	VITE	SCREW	VIS	SCHRAUBE	4
13	81002057/0	ASS. CAPPOTTINA	COVER ASS'Y	ENS. CAPOT	KOMPLETTE HAUBE	1
14	12728680/0	VITE	SCREW	VIS	SCHRAUBE	2
15	22463186/1	MOZZO	HUB	MOYEU	HALTER	1
16	81004346/0	COLTELLO STANDARD	STANDARD BLADE	LAME STANDARD	STANDARD MESSER	1
16A	81004397/0	COLTELLO ALETTATO	WINGS BLADE	LAME À AILETTES	FLUEGELMESSER	1
17	12793101/0	VITE	SCREW	VIS	SCHRAUBE	2
18	12583500/0	GROWER	GROWER	GROWER	FEDERRING	2
19	81004352/0	VITE	SCREW	VIS	SCHRAUBE	1
20	22600028/0	PARASASSI	STONE-GUARD	PARE-PIERRESE	PRALLBLECH	1
21	22517906/0	PERNO	PIN	PIVOT	BOLZEN	1
22	22450420/0	MOLLA SX	LEFT SPRING	RESSORT GAUCHE	LINKE FEDER	1
23	22450410/0	MOLLA DX	RIGHT SPRING	RESSORT DROITE	RECHTE FEDER	1
24	81006512/0	PARTE INF. MANICO NERO	LOWER HANDLE BLACK	PARTIE INF. MANCHERON NOIR	HOLMUNTERTEIL SCHWARZ	1
25	22551575/0	PIASTRINA INTERNA	INSIDE PLAQUE	PLAQUETTE INTERNE		2
26	12793301/0	VITE	SCREW	VIS	SCHRAUBE	2
27	12691115/0	VITE	SCREW	VIS	SCHRAUBE	2
28	22551574/0	PIASTRINA ESTERNA	OUTSIDE PLAQUE	PLAQUETTE EXTERNE	ISOLIERPLATTE	2
29	22399900/0	MANOPOLINA	KNOB	POIGNÉE	GRIFF	4
30	12293200/0	DADO	NUT	ECROU	MUTTER	4
31	12155000/0	DADO	NUT	ECROU	MUTTER	2
32	81006933/1	PARTE SUP. MANICO NERO	UPPER HANDLE BLACK	PARTIE SUP. MANCHERON NOIR	HOLMOBERTEIL SCHWARZ	1
33	12819201/0	VITE	SCREW	VIS	SCHRAUBE	2
34	22680006/1	RONDELLA	WASHER	RONDELLE	SCHEIBE	2

		SALVAMOTORI M.M. PER MOTORI RST	RST ENGINE GUARD	PROTECTION MAIN MORTE MOTEURS RST	TOTMANSCHALTER FÜR RST MOTOR	
35	18710610/0	9,5 AMP C.E.E. (1300W-1500W)	9,5 AMP C.E.E. (1300W-1500W)	9,5 AMP C.E.E. (1300W-1500W)	9,5 AMP C.E.E. (1300W-1500W)	1
35A	18710609/0	9,5 AMP SEV 1300W/1500W SOLO PER SVIZZERA	9,5 AMP SEV 1300W/1500W ONLY SWITZERLAND	9,5 AMP SEV 1300W/1500W POUR SUISSE	9,5 AMP SEV 1300W/1500W FÜR SCHWEIZ	1

		SALVAMOTORI M.M. PER MOTORI IBMEI	IBMEI ENGINE GUARD	PROTECTION MOTEURS IBMEI	TOTMANSCHALTER FÜR IBMEI MOTOR	
35B	18710562/0	8,5 AMP C.E.E. (1300W)	8,5 AM C.E.E. (1300W)	8,5 AMP C.E.E. (1300E)	8,5 AMP C.E.E. (1300W)	1
35C	18710563/0	8,5 AMP SEV (1300W) SOLO PER SVIZZERA	8,5 AMP SEV (1300W) ONLY SWITZERLAND	8,5 AMP SEV (1300W) PUOR SUISSE	8,5 AMP SEV (1300W) NUR FÜR SCHWEIZ	1
35D	18710603/0	11 AMP C.E.E. (1500W)	11 AMP C.E.E. (1500W)	11 AMP C.E.EE (1500W)	11 AMP C.E.E. (1500W)	
35E	18710604/0	10 AMP C.E.E. (1500W/240V)	10 AMP C.E.E. (1500W/240V)	10 AMP C.E.EE (1500W/240V)	10 AMP C.E.E. (1500W/240V)	

36	22192000/0	FASCETTA ANCORAGGIO	ANCHRO CLAMP	COLLIER ANCRAGE	BEFESTIGUNGSSCHELLE	2
37	22192150/0	FERMACAVO	FAIR-LEAD	SERRE-CABLE	KABELSCHELLE	1
38	22195101/1	FERMACAVO	FAIR-LEAD	SERRE-CABLE	KABELSCHELLE	1

		REGOLAZIONE RUOTE	WHEEL ADJUSTEMENT	REGLAGE ROUES	RADVERSTELLUNG	
39	22735530/0	SETTORE REGOLAZIONE	ADJUSTERS SECTOR	SECTEUR REGLAGE	VERSTELLUNGSSEKTOR	4
40	81005082/0	SUPPORTO RUOTA	WHEEL SUPPORT	SUPPORT ROUE	RADHALTER	4
41	81003272/0	ASS. LEVA REGOLAZIONE	ADJ. LEVER UNIT	ENS. LEVIER REGLAGE	VESTELLUNGSHEBELSATZ	4
42	22170900/0	DISTANZIALE	SPACER	ENTRETOISE	DISTANRING	4
43	12794200/0	VITE	SCREW	VIS	SCHRAUBE	4
44	12523080/0	RONDELLA	WASHER	RONDELLE	SCHEIBE	4
45	12585100/0	GROWER	GROWER	GROWER	FEDERRING	4
46	12295200/0	DADO	NUT	ECROU	MUTTER	4
47	81003025/0	RUOTA BIANCA	WHITE WHEEL	ROUE BLANCHE	WEISSES-RAD	4
47A	81003029/0	RUOTA GIALLA	JELLOW WHEEL	AROU JAUNE	GELBES-RAD	4
48	12523060/0	RONDELLA	WASHER	RONDELLE	SCHIBE	4
49	12293201/0	DADO	NUT	ECROU	MUTTER	4
50	22110272/0	COPRIMOZZO BIANCO	WHITE HUBCAP	COUVRE-MOYEU BLANCHE	RADKAPPE WEIB	4
50A	22110276/0	COPRIMOZZO GIALLO	YELLOW HUB CAP	COUVRE-MOYEU BLANCHE	RADKAPPE GELB	4

		VARIANTI RUOTE Ø 170 SU CUSCINETTI	WHEELS VARIANTS Ø 170 ON BALL BEARINGS	VARIANTES ROUES Ø170 SUR ROULEMENTS	AENDERUNGEN AUF RAEDER Ø170 MIT KUGGELAGER	
51	81007292/0	RUOTA GIALLA	JELLOW WHEEL	ROUE JAUNE	GELBES RAD	4
51A	81007242/0	RUOTA BIANCA	WHITE WHEEL	ROUE BLANCHE	WEISSES RAD	4
52	22122200/0	CUSCINETTO	BEARINGS	ROULEMENT	KUEGELLAGER	8
53	12530150/0	RONDELLA ELASTICA	ELASTIC EASHER	RONDELLE ELASTIQUE	ELASTISCHESCHEIBE	4
54	12521350/0	RONDELLA	WASHER	RONDELLE	SCHIBE	4
55	12155000/0	DADO	NUT	ECROU	MUTTER	4
56	22110275/0	COPRIMOZZO	HUBCAP	COUVRE-MOYEU	RADKAPPE	4

Pos. Nr.	Codice Kodex Code	Descrizione	Description	Description	Beschreibung	Q.tà Q.ty Q.tè Menge
101	98004000/0	ASS. SACCO IN TELA	CANVASS GRASSCATCHER ASS'Y	ENSEMBLE SAC EN TOILE	KOMPLETTER SACK	1
102	81006408/0	TELAIO	CHASSIS	CHASSIS	RAHMEN	1
103	81002105/0	TELA SACCO	FABRIC BOX	TOILE POUR SAC	TUCK FUER SACK	1
111	98005000/0	SACCO COMPLETO	COMPLETE GRASS-BOX	BAC COMPLET	KOMPLETTER KORB	1
112	22486061/1	PARTE SUP. SACCO	UPPER GRASSBOX	PARTIE SUP. BAC	KORB OBERTEIL	1
113	22486060/0	PARTE INF. SACCO	LOWER GRASSBOX	PARTIE INF. BAC	KORB UNTERTEIL	1
114	22775170/1	SUPPORTO SACCO	SUPPORT FOR GRASSBOX	SUPPORT BAC	KORB HALTER	2
115	12789000/0	VITE	SCREW	VIS	SCHRAUBEN	4
116	12521540/0	RONDELLA	WASHER	RONDELLE	SCHEIBE	4
117	12154330/0	DADO	NUT	ECROU	MUTTER	4
118	22381900/0	MANIGLIA SACCO	GRASS CATCHER HANDLE	POIGNÉE BAC	KORBGRIFF	1
119	12791400/0	VITE	SCREW	VIS	SCHRAUBEN	2
120	12523040/0	RONDELLA	WASHER	RONDELLE	SCHEIBE	2
121	12582100/0	GROWER	GROWER	GROWER	FEDERRING	2
122	12292100/0	DADO	NUT	ECROU	MUTTER	2
-	81008577/0	DOTAZIONE SACCO	GRASS-BOX OUTFIT	DOTATION BAC	KORBAUSSTATTUNG	1
-	81008583/0	DOTAZIONE VITERIA	SCREWS OUTFIT	DOTATION VISSERIE	SCHRAUBEN SATZ	1