

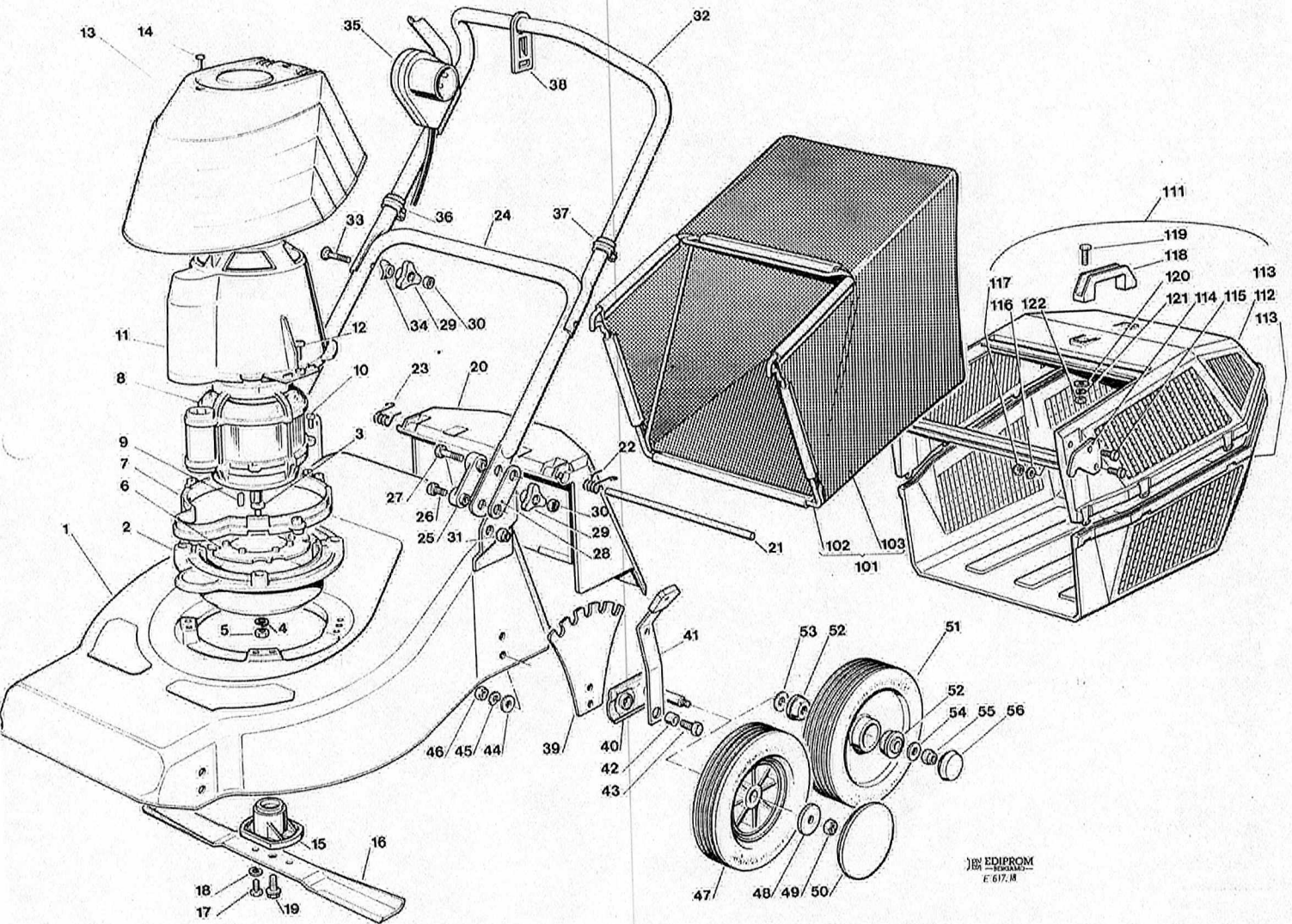
RASER^(R)

-33-

VISTE ESPLOSE
EXPLODED VIEWS
VUES ECLATEES
SPRENGZEICHNUNGEN

R 430

Mod. 1991



EDIPROM
E 617.M

Pos. Nr.	Codice Kodex Code	Descrizione	Description	Description	Beschreibung	Q.tà Q.ty Q.tè Menge
1	81000950/0	CHASSIS ROSSO	RED DECK	CHASSIS ROUGE	ROT GEHÄUSE	1
2	22207211/3	FLANGIA	FLANGE	BRIDE	FLANSCH	1
3	12793700/0	VITE	SCREW	VIS	SCHRAUBE	4
4	12583500/0	GROWER	NUT	ECROU	NUTTER	4
5	12293200/0	DADO	GROWER	GROWER	FEDERRING	4
6	22720355/0	SCHERMO VENTILAZIONE	VENTILATION SCREEN	ECRAU VENTILATION	ÜFTUNGSSCHIRM	1
7	22174006/1	DISTANZIALE	SPACER	ENTRETOISE	DISTANZIARING	1
8	18563000/0	MOTORE RST 900W C/F	RST 900W ENGINE WITH BRAKE	MOTEUR RST 900W A/FREIN	MOTOR RST 900W MIT BREMSE	1
8A	18563002/0	MOTORE RST 1100W C/F	RST 1100W ENGINE WITH BRAKE	MOTEUR RST 1100W A/FREIN	MOTOR RST 1100W MIT BREMSE	1
8B	18740051/0	VENTOLA PER MOTORE RST	RST ENGINE FAN	VENTILATEUR MOTEUR RST	RST LÜFTER	1
8C	18563025/0	MOTORE IBMEI 900W S/F	IBMEI ENGINE 900W WITHOUT BRAKE	MOTEUR IBMEI 900W S/FREIN	MOTOR IBMEI 900W OHNE BREMSE	1
8D	18563042/0	MOTORE IBMEI 1100W/240V	IBMEI MOTOR 1100W/240V	MOTEUR IBMEI 1100W/240V	MOTOR IBMEI 1100W/240V	1
8E	18740049/0	VENTOLA PER MOTORE IBMEI	IBMEI ENGINE FAN	VENTILATEUR MOTEUR IBMEI	IBMEI LÜFTER	1
8F	18398015/1	FLANGIA INF. IBMEI	LOWER FLANGE IBMEI	BRIDE INF. IBMEI	UNTER FLANSCH IBMEI	1
8G	18398025/2	FLANGIA SUP. IBMEI	UPPER FLANGE IBMEI	BRIDE SUP. IBMEI	OBER FLANSCH IBMEI	1
8H	18222036/0	CONDENSATORE 12 µF	CONDENSER 12 µF	CONDENSEUR 12 µF	KONDENSATORE 12 µF	1
9	12139440/0	LINGUETTA	FEATHER	CLAVETTE	KEIL	1
10	12735410/0	VITE	SCREW	VIS	SCHRAUBE	4



CASTEL GARDEN EQUIPMENT SPA

I - 31033 CASTELFRANCO VENETO - ITALY
TF (0423) 493161 - TX 433359 GARDEN ITALY
FAX (0423) 498404

CN 71502714/1
Printed in Italy by TYP'0

Pos. Nr.	Codice Kodex Code	Descrizione	Description	Description	Beschreibung	Q.tà Q.ty Q.tè Menge
11	22785060/1	SUPPORTO CAPPOTTINA	COVER SUPPORT	SUPPORT CAPOT	HAUBEHALTER	1
12	12728710/0	VITE	SCREW	VIS	SCHRAUBE	4
13	81002057/0	ASS. CAPPOTTINA	COVER ASS'Y	ENS. CAPOT	KOMPLETTE HAUBE	1
14	12728680/0	VITE	SCREW	VIS	SCHRAUBE	2
15	22463186/1	MOZZO	HUB	MOYEU	HALTER	1
16	81004341/0	COLTELLO STANDARD	STANDARD BLADE	LAME STANDARD	STANDARD MESSER	1
16A	81004396/0	COLTELLO ALETTATO	WINGS BLADE	LAME À AILETTES	FLUEGELMESSER	1
17	12793101/0	VITE	SCREW	VIS	SCHRAUBE	2
18	12583500/0	GROWER	GROWER	GROWER	FEDERRING	2
19	81004352/0	ASS. VITE	SCREW ASS'Y	ENS. VIS	ENS. SCHRAUBE	1
20	22600028/0	PARASASSI	STONE-GUARD	PARE-PIERRES	PRALLBLECH	1
21	22517906/0	PERNO	PIN	PIVOT	BOLZEN	1
22	22450420/0	MOLLA SX	LEFT SPRING	RESSORT GAUCHE	LINK FEDER	1
23	22450410/0	MOLLA DX	RIGHT SPRING	RESSORT DROITE	RECHTE FEDER	1
24	81006512/0	PARTE INF. MANICO	LOWER HANDLE	PARTIE INF. MANCHERON	HOLMUNTERTEIL	1
25	22551575/0	PIASTRINA INTERNA	INSIDE PLAQUE	PLAQUETTE INTERNE		2
26	12793301/0	VITE	SCREW	VIS	SCHRAUBE	2
27	12691115/0	VITE	SCREW	VIS	SCHRAUBE	2
28	22551574/0	PIASTRINE ESTERNA	OUTSIDE PLAQUE	PLAQUETTE EXTERNE	ISOLIERPLATTE	2
29	22399900/0	MANOPOLINA	KNOB	POIGNÉE	GRIFT	4
30	12293200/0	DADO	NUT	ECROU	MUTTER	4
31	12155000/0	DADO	NUT	ECROU	MUTTER	2
32	81006933/1	PARTE SUP. MANICO	UPPER HANDLE	PARTIE SUP. MANCHERON	HOLMOBERTEIL	1
33	12819201/0	VITE	SCREW	VIS	SCHRAUBE	2
34	22680006/1	RONDELLA	WASHER	RONDELLE	SCHEIBE	2
35	18710560/0	SALVAM. M.M. C.E.E. 5,5 AMP (900W)	DEAD HAND SWITCH C.E.E. 5,5 AMP (900W)	INT. MAIN MOTER C.E.E. 5,5 AMP (900W)	TOT MANSCHALTER C.E.E. 5,5 AMP (900W)	1
35A	18710565/0	SALVAM. M.M. SEV 5,5 AMP (900W) SOLO PER SVIZZERA	DEAD HAND SWITCH SEV (900W) ONLY FOR SWITZERLAND	INT. MAIN MORTE SEV 5,5 AMP (900W) SEULEMENT POUR LA SUISSE	TOT MANSCHALTER SEV NUR FUER DIE SCHWEIZ (900W)	1
35B	18710561/0	SALVAM. M.M. C.E.E. 7 AMP (1100W)	DEAD HAND SWITCH C.E.E. 7 AMP (1100W)	INT. MAIN MORTE C.E.E. 7 AMP (1100W)	TOT MANSCHALTER C.E.E. 7 AMP (1100W)	1
36	22192000/1	FASCETTA ANCORAGGIO	ANCHOR CLAMP	COLLIER ANCRAGE	BOWDENZUGHALTER	2
37	22192150/0	FERMACAVO	FAIR LEAD	FIXATION CABLE	KABELBEFESTIGUNG	1
38	22195101/1	FERMACAVO	FAIR LEAD	FIXATION CABLE	KABELBEFESTIGUNG	1

REGOLAZIONE RUOTE WHEEL ADJUSTEMENT REGLAGE ROUES RADVERSTELLUNG

39	22735530/0	SETTORE REGOLAZIONE	ADJUSTERS SECTOR	SECTEUR REGALGE	VERSTELLUNGSSEKTOR	4
40	81005082/0	SUPPORTO RUOTA	WHEEL SUPPORT	SUPPORT ROUE	RADHALTER	4
41	81003273/0	LEVA REGOLAZIONE	ADJ. LEVER	LEVIER REGLAGE	VERSTELLUNGHEBEL	4
42	22170900/0	DISTANZIALE	SPACER	ENTRETOISE	DISTANZRING	4
43	12794200/0	VITE	SCREW	VIS	SCHRAUBE	4
44	12523080/0	RONDELLA	WASHER	RONDELLE	SCHEIBE	4
45	12585100/0	GROWER	GROWER	GROWER	FEDERRING	4
46	12295200/0	DADO	NUT	ECROU	MUTTER	4
47	81003025/0	RUOTA BIANCA	WHITE WHEEL	ROUE BLANCHE	WEISSES-RAD	4
47A	81003029/0	RUOTA GIALLA	JELLOW WHEEL	AROUÉ JAUNE	GELBES-RAS	4
48	12523060/0	RONDELLA	WASHER	RONDELLE	SCHEIBE	4
49	12293201/0	DADO	NUT	ECROU	MUTTER	4
50	22110272/0	COPRIMOZZO BIANCO	WHITE HUBCAP	COUVRE-MOYEU BLANCHE	RADKAPPE WEIB	4
50A	22110276/0	COPRIMOZZO GIALLO	YELLOW HUB CAP	COUBRE-MOYEU-JOUNE	RADKAPPE GELB	4

VARIANTI RUOTE Ø 170 SU CUSCINETTI WHEELS VARIANTS Ø 170 ON BALL BEARINGS VARIANTS ROUES Ø 170 SUR ROULEMENTS AENDERUNGEN AUF READER Ø 170 MIT KUGELLAGER

51	81007292/0	RUOTA GIALLA	JELLOW WHEEL	ROUE JAUNE	GELBES RAD	4
51A	81007242/0	RUOTA BIANCA	WHITE WHEEL	ROUE BLANCHE	WEISSES RAD	4
52	22122200/0	CUSCINETTO	BEARING	ROULEMENT	KUEGELLAGER	8
53	12530150/0	RONDELLA ELASTICA	ELASTIC WASHER	RONDELLE ELASTIQUE	ELASTISCHESCHEIBE	4
54	12521350/0	RONDELLA	WASHER	RONDELLE	SCHEIBE	4
55	12155000/0	DADO	NUT	ECROU	MUTTER	4
56	22110275/0	COPRIMOZZO	HUBCAP	COUVRE-MOYEU	RADKAPPE	4

101	98004000/0	ASS. SACCO IN TELA	CANVASS GRASSCATCHER ASS'Y	ENSEMBLE SAC EN TOILE	KOMPLETTER SACK	1
102	81006408/0	TELAIO	CHASSIS	CHASSIS	RAHMEN	1
103	81002105/0	TELA SACCO	FABRIC BOX	TOILE POUR SAC	TUCK FUER SACK	1
111	98005000/0	SACCO COMPLETO	COMPLETE GRASS-BOX	BAC COMPLET	KOMPLETTER KORB	1
112	22486061/1	PARTE SUP. SACCO	UPPER GRASSBOX	PARTIE SUP. BAC	KORB OBERTEIL	1
113	22486060/0	PARTE INF. SACCO	LOWER GRASSBOX	PARTIE INF. BAC	KORB UNTERTEIL	1
114	22775170/1	SUPPORTO SACCO	SUPPORT FOR GRASSBOX	SUPPORT BAC	KORB HALTER	2
115	12789000/0	VITE	SCREW	VIS	SCHRAUBEN	4
116	12521540/0	RONDELLA	WASHER	RONDELLE	SCHEIBE	4
117	12154330/0	DADO	NUT	ECROU	MUTTER	4
118	22381900/0	MANIGLIA SACCO	GRASS CATCHER HANDLE	POIGNÉE BAC	KORBGRIFF	1
119	12791400/0	VITE	SCREW	VIS	SCHRAUBEN	2
120	12523040/0	RONDELLA	WASHER	RONDELLE	SCHEIBE	2
121	12582100/0	GROWER	GROWER	GROWER	FEDERRING	2
122	12292100/0	DADO	NUT	ECROU	MUTTER	2
—	81008577/0	DOTAZIONE SACCO	GRASS-BOX OUTFIT	DOTATION BAC	KORBAUSSTATTUNG	1
—	81008583/0	DOTAZIONE VITERIA	SCREWS OUTFIT	DOTATION VISSERIE	SCHRAUBEN SATZ	1

