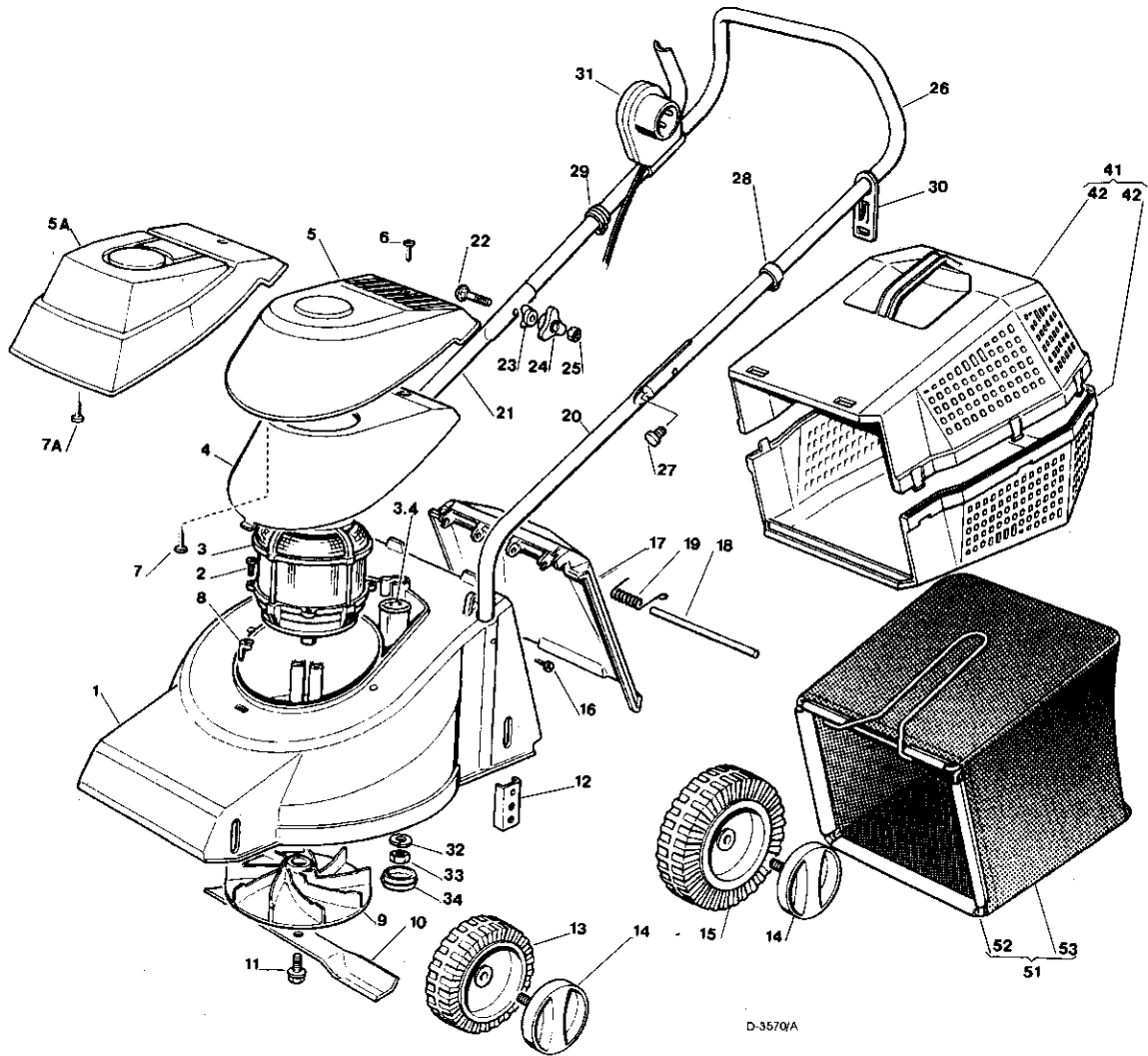


VISTE ESPLOSE  
EXPLODED VIEWS

VUES ECLATEES  
SPRENGZEICHNUNGEN

K 350

Mod. 1998



D-3570/A

T-3610A

| Pos. Nr. | Codice Kodex Code | Descrizione                | Description               | Description                | Beschreibung              | Q.tà<br>Q.ty<br>Q.tà<br>Menge |
|----------|-------------------|----------------------------|---------------------------|----------------------------|---------------------------|-------------------------------|
| 1        | 81001036/1        | CHASSIS ROSSO              | RED DECK                  | CHÂSSIS ROUGE              | ROTES GEHÄUSE             | 1                             |
| —        | 81001037/1        | CHASSIS GIALLO             | YELLOW DECK               | CHÂSSIS JAUNE              | GELBES GEHÄUSE            | 1                             |
| —        | 81001015/1        | CHASSIS VERDE              | GREEN DECK                | CHÂSSIS VERT               | GRÜNES GEHÄUSE            | 1                             |
| 2        | 12735410/0        | VITE                       | SCREW                     | VIS                        | SCHRAUBE                  | 4                             |
| 3        | 18563064/0        | MOTORE IBMEI 900W (230V)   | IBMEI MOTOR 900W (230V)   | MOTEUR IBMEI 900W (230V)   | MOTOR IBMEI 900W (230V)   | 1                             |
| —        | 18563066/0        | MOTORE IBMEI 900W (240V)   | IBMEI MOTOR 900W (240V)   | MOTEUR IBMEI 900W (240V)   | MOTOR IBMEI 900W (240V)   | 1                             |
| —        | 18563007/1        | MOTORE RST 900W (220-230V) | RST MOTOR 900W (220-230V) | MOTEUR RST 900W (220-230V) | MOTOR RST 900W (220-230V) | 1                             |
| 3-4      | 18222034/0        | CONDENSATORE 8µF           | CONDENSER 8µF             | CONDENSEUR 8µF             | KONDENSATOR 8µF           | 1                             |
| 4        | 22055032/0        | SUP. CAPOTTINA             | COVER SUPPORT             | SUPPORT CAPOT              | HAUBEHALTER               | 1                             |
| 5        | 81002006/0        | ASS. CAPOTTINA             | COVER ASS.Y               | ENS. CAPOT                 | KOMPLETTE HAUBE           | 1                             |
| 5A       | 81002007/0        | ASS. CAPOTTINA             | COVER ASS.Y               | ENS. CAPOT                 | KOMPLETTE HAUBE           | 1                             |
| 6        | 12728680/0        | VITE                       | SCREW                     | VIS                        | SCHRAUBE                  | 1                             |
| 7        | 12728450/0        | VITE                       | SCREW                     | VIS                        | SCHRAUBE                  | 1                             |
| 7A       | 12728680/0        | VITE                       | SCREW                     | VIS                        | SCHRAUBE                  | 1                             |
| 8        | 22167700/0        | DISTANZIALE                | SPACER                    | ENTRETOISE                 | DISTANZRING               | 4                             |
| 9        | 22465602/0        | MOZZO                      | HUB                       | MOYEU                      | NABE                      | 1                             |
| 10       | 81004115/1        | COLTELLO STANDARD          | STANDARD BLADE            | LAME STANDARD              | STANDARD MESSER           | 1                             |
| —        | 81004116/0        | COLTELLO ALETTATO          | WINGED BLADE              | LAME AILETTÉE              | FLÜGELMESSER              | 1                             |
| 11       | 81004352/0        | VITE                       | SCREW                     | VIS                        | SCHRAUBE                  | 1                             |
| 12       | 22785087/1        | SUPP. RUOTE                | WHEELS SUPPORT            | SUPPORT ROUE               | RADHALTER                 | 4                             |
| 13       | 22686081/0        | RUOTA Ø 130                | WHEEL Ø 130               | ROUE Ø 130                 | RAD Ø 130                 | 2                             |
| 14       | 81004348/0        | COPRIMOZZO BIANCO          | WHITE HUB CAP             | COUVRE-MOYEU BLANC         | WEIÙE RADKAPPE            | 4                             |
| —        | 81004347/0        | COPRIMOZZO GIALLO          | YELLOW HUB CAP            | COUVRE-MOYEU JAUNE         | GELBE RADKAPPE            | 4                             |
| —        | 81004354/0        | COPRIMOZZO ROSSO           | RED HUB CAP               | COUVRE-MOYEU ROUGE         | ROTE RADKAPPE             | 4                             |
| 15       | 22686082/0        | RUOTA Ø 160                | WHEEL Ø 160               | ROUE Ø 160                 | RAD Ø 160                 | 2                             |

71503610/0

| Pos.<br>Nr. | Codice<br>Kodex<br>Code | Descrizione             | Description             | Description              | Beschreibung            | Q.tà<br>Q.ty<br>Q.tè<br>Menge |
|-------------|-------------------------|-------------------------|-------------------------|--------------------------|-------------------------|-------------------------------|
| 16          | 12728450/0              | VITE                    | SCREW                   | VIS                      | SCHRAUBE                | 2                             |
| 17          | 22600024/1              | PARASSASSI              | STONE-GUARD             | PARE-PIERRES             | PRALLBLECH              | 1                             |
| 18          | 22512530/0              | PERNO                   | PIN                     | PIVOT                    | BOLZEN                  | 1                             |
| 19          | 22450250/0              | MOLLA                   | SPRING                  | RESSORT                  | FEDER                   | 1                             |
| 20          | 81006940/0              | MANICO INF. SX          | L. LOWER HANDLE         | MANCHERON INF. G.        | L. UNTERHOLM            | 1                             |
| 21          | 81006939/0              | MANICO INF. DX          | R. LOWER HANDLE         | MANCHERON INF. D.        | R. UNTERHOLM            | 1                             |
| 22          | 12819120/0              | VITE                    | SCREW                   | VIS                      | SCHRAUBE                | 2                             |
| 23          | 22680006/1              | RONDELLA                | WASHER                  | RONDELLE                 | SCHLEIBE                | 2                             |
| 24          | 22399900/0              | MANOPOLINA              | KNOB                    | POIGNÉE                  | GRIFF                   | 2                             |
| 25          | 12293200/0              | DADO                    | NUT                     | ECROU                    | MUTTER                  | 2                             |
| 26          | 81006941/2              | PARTE SUP. MANICO       | UPPER HANDLE            | PARTIE SUP. MANCHERON    | OBERHOLM                | 1                             |
| 27          | 18566112/0              | TAPPO                   | CAP                     | BOUCHON                  | GUMMISTOPFEN            | 2                             |
| 28          | 22192151/0              | FERMACAVO               | FAIRLEAD                | FIXATION CABLE           | KABELBEFESTIGUNG        | 1                             |
| 29          | 22192000/1              | FASCETTA ANCDRAGGIO     | ANCHOR CLAMP            | COLLIER ANCRAGE          | BOWDENZUGHALTER         | 1                             |
| 30          | 22195101/1              | FERMACAVO               | FAIRLEAD                | FIXATION CABLE           | KABELBEFESTIGUNG        | 1                             |
| 31          | —                       | SALVAMOTORE M.M.        | DEAD HAND SWITCH M.M.   | INT. MAIN MORTE M.M.     | TOT MANSCHALTER M.M.    | —                             |
| —           | 18710629/0              | 5 A 602 MS (900W IBMEI) | 5 A 602 MS (900W IBMEI) | 5 A 602 MS (900W IBMEI)  | 5 A 602 MS (900W IBMEI) | 1                             |
| —           | 18710630/0              | 5 A 603 MS (900W IBMEI) | 5 A 603 MS (900W IBMEI) | 5 A 603 MS (900W IBMEI)  | 5 A 603 MS (900W IBMEI) | 1                             |
| —           | —                       | SOLD PER SVIZZERA       | ONLY FOR SWITZERLAND    | SEULEMENT POUR LA SUISSE | NUR FÜR SCHWEIZ         | —                             |
| —           | 18710631/0              | 5 A 607 MS (900W IBMEI) | 5 A 607 MS (900W IBMEI) | 5 A 607 MS (900W IBMEI)  | 5 A 607 MS (900W IBMEI) | 1                             |
| —           | 18710611/1              | 6,5 A 602 MS (900W RST) | 6,5 A 602 MS (900W RST) | 6,5 A 602 MS (900W RST)  | 6,5 A 602 MS (900W RST) | 1                             |
| —           | 18710625/1              | 6,5 A 603 MS (900W RST) | 6,5 A 603 MS (900W RST) | 6,5 A 603 MS (900W RST)  | 6,5 A 603 MS (900W RST) | 1                             |
| —           | —                       | SOLO PER SVIZZERA       | ONLY FOR SWITZERLAND    | SEULEMENT PDUR LA SUISSE | NUR FÜR SCHWEIZ         | —                             |
| —           | 18710626/1              | SENZA PROT. TERMICA     | 601 MS WITHOUT OVERLOAD | 601 MS SANS PROTECTION   | 601 MS OHNE THERMISCHER | 1                             |
| —           | —                       | 601 MS                  | PROTECTION              | TERMIQUE                 | SHUTZ                   | —                             |
| —           | 18710627/0              | SENZA PROT. TERMICA     | 603 MS WITHOUT OVERLOAD | 603 MS SANS PROTECTION   | 603 MS OHNE THERMISCHER | 1                             |
| —           | —                       | 603 MS                  | PROTECTION              | TERMIQUE                 | SHUTZ                   | —                             |
| 32          | 12540260/0              | GROWER                  | GROWER                  | GROWER                   | FEDERRING               | 1                             |
| 33          | 12293200/0              | DADO                    | NUT                     | ECROU                    | MUTTER                  | 1                             |
| 34          | 22110275/0              | TAPPO                   | CAP                     | BOUCHON                  | GUMMISTOPFEN            | 1                             |
| 41          | 97004000/0              | SACCO COMPLETO          | COMPLETE GRASS-BOX      | BAC COMPLET              | KOMPLETTER KORB         | 1                             |
| 42          | 22486040/0              | PARTE INF.-SUP. SACCO   | UPPER. LOWER GRASS-BOX  | PARTIE SUP.-INF. SAC     | OBER-UNTERKORB          | 2                             |
| 51          | 97006000/0              | ASS. SACCO TELA         | CANVASS GRASSCATCHER    | ENSEMBLE SAC EN TOILE    | KOMPLETTER SACK         | 1                             |
| 52          | 81006414/0              | TELAIO                  | CHASSIS                 | CHASSIS                  | RAHMEN                  | 1                             |
| 53          | B1002103/0              | TELA SACCO              | FABRIC BOX              | TOILE POUR SAC           | TUCK FÜR SACK           | 1                             |
| —           | 81008592/0              | DOTAZIONE VITERIA       | SCREWS OUTFIT           | DOTATION VISSERIE        | SCHRAUBEN SATZ          | 1                             |