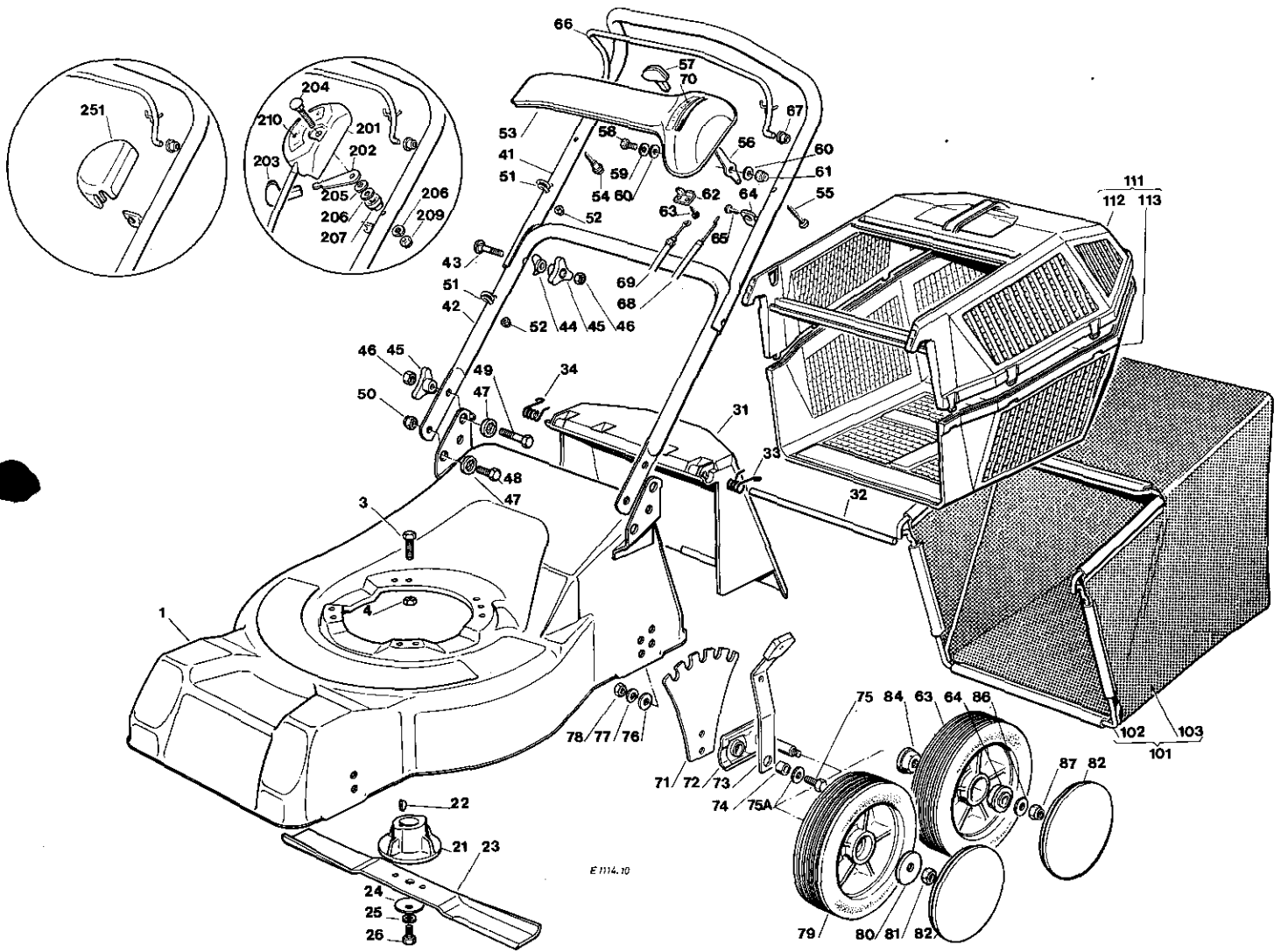


VISTE ESPLOSE
EXPLODED VIEWS

VUES ECLATEES
SPRENGZEICHNUNGEN

NG 414
NG 464

Mod. 1995



Pos. Nr.	Codice Kodex Code	Descrizione	Description	Description	Beschreibung	Q.tà Q.ty Q.té Menge
1	81001174/0	CHASSIS ROSSO (NG 414)	RED DECK (NG 414)	CHASSIS ROUGE (NG 414)	ROTES GEHÄUSE (NG 414)	1
—	81001199/0	CHASSIS GIALLO (NG 414)	YELLOW DECK (NG 414)	CHASSIS JAUNE (NG 414)	GELBES GEHÄUSE (NG 414)	1
—	81001441/0	CHASSIS VERDE (NG 414)	GREEN DECK (NG 414)	CHASSIS VERT (NG 414)	GRÜNES GEHÄUSE (NG 414)	1
—	81001175/0	CHASSIS ROSSO (NG 464)	RED DECK (NG 464)	CHASSIS ROUGE (NG 464)	ROTES GEHÄUSE (NG 464)	1
—	81001282/0	CHASSIS GIALLO (NG 464)	YELLOW DECK (NG 464)	CHASSIS JAUNE (NG 464)	GELBES GEHÄUSE (NG 464)	1
—	81001442/0	CHASSIS VERDE (NG 464)	GREEN DECK (NG 464)	CHASSIS VERT (NG 464)	GRÜNES GEHÄUSE (NG 464)	1
3	12793700/0	VITE (M8x30)	SCREW (M8x30)	VIS (M8x30)	SCHRAUBE (M8x30)	3/2
—	12793900/0	VITE (M8x60)	SCREW (M8x60)	VIS (M8x60)	SCHRAUBE (M8x60)	0/1
4	12293201/0	DADO	NUT	ECROU	MUTTER	3/2
—	12155000/0	DADO	NUT	ECROU	MUTTER	0/1
21	22463012/1	MOZZO	HUB	MOYEU	HALTER	1
22	12139100/0	LINGUETTA	FEATHER	CLAVETTE	KEIL	1
23	81004360/2	COLTELLO STANDARD (39 cm.)	STANDARD BLADE (39 cm.)	LAME STANDARD (39 cm.)	STANDARD MESSER (39 cm.)	1
—	81004233/2	COLTELLO ALETTATO (39 cm.)	WINGS BLADE (39 cm.)	LAME À AILETTES (39 cm.)	FLÜGEL MESSER (39 cm.)	1
—	81004365/1	COLTELLO STANDARD (44 cm.)	STANDARD BLADE (44 cm.)	LAME STANDARD (44 cm.)	STANDARD MESSER (44 cm.)	1
—	81004232/2	COLTELLO ALETTATO (44 cm.)	WINGS BLADE (44 cm.)	LAME À AILETTES (44 cm.)	FLÜGEL MESSER (44 cm.)	1
24	22160400/0	DISCO ELASTICO	ELASTIC WASHER	RONDELLE ELASTIQUE	ELASTISCHE SCHEIBE	1
25	12523080/0	RONDELLA	WASHER	RONDELLE	SCHEIBE	1
26	12735698/0	VITE	SCREW	VIS	SCHRAUBE	1
31	22600028/3	PARASASSI	STONE-GUARD	PARE-PIERRES	PRALLBLECH	1
32	22517906/0	PERNO	PIN	PIVOT	BOLZEN	1
33	22450420/1	MOLLA SX	LEFT SPRING	RESSORT GAUCHE	LINKE FEDER	1
34	22450410/1	MOLLA DX	RIGHT SPRING	RESSORT DROITE	RECHTE FEDER	1
41	81006998/0	PORTE SUP. MANICO	UPPER HANDLE	PARTIE SUP. MANCHERON	HOLMOBERTEIL	1
42	81007013/0	PORTE INF. MANICO	LOWER HANDLE	PARTIE INF. MANCHERON	HOLMUNTERTEIL	1
43	12819201/0	VITE	SCREW	VIS	SCHRAUBE	2

Pos. Nr.	Codice Kodex Code	Descrizione	Description	Description	Beschreibung	Q.tà Q.ty Q.té Menge
44	22680006/1	RONDELLA	WASHER	RONDELLE	SCHEIBE	2
45	22399900/0	MANOPOLINA	KNOB	POIGNÉE	GRIFF	4
46	12293200/0	DADO	NUT	ECROU	MUTTER	4
47	22041955/0	BUSSOLA	BUSH	DOUILLE	BUCHSE	4
48	12792610/0	VITE	SCREW	VIS	SCHRAUBE	2
49	12793700/0	VITE	SCREW	VIS	SCHRAUBE	2
50	12155000/0	DADO	NUT	ECROU	MUTTER	2
51	22430309/0	MOLLA GUIDA	SPRING	RESSORT	FEDER	2
52	12154330/0	DADO	NUT	ECROU	MUTTER	2
53	22120154/0	CRUSCOTTO ROSSO	RED DASH BOARD	CONSOLE ROUGE	ROTE KONSOLE	1
—	22120152/0	CRUSCOTTO GIALLO	YELLOW DASH BOARD	CONSOLE JAUNE	GELBE KONSOLE	1
54	22943006/0	VITE	SCREW	VIS	SCHRAUBE	1
55	12728460/0	VITE	SCREW	VIS	SCHRAUBE	1
56	22319304/0	LEVA	LEVER	LEVIER	HEBEL	1
57	22394641/0	MANOPOLA	KNOB	POIGNÉE	GRIFF	1
58	12791500/0	VITE	SCREW	VIS	SCHRAUBE	1
59	12530060/0	RONDELLA ELASTICA	SPRING WASHER	RONDELLE ELASTIQUE	ELASTISCHE SCHEIBE	1
60	12533040/0	RONDELLA	WASHER	RONDELLE	SCHEIBE	2
61	12154510/0	DADO	NUT	ECROU	MUTTER	1
62	22981467/0	PIASTRINA	PLAQUE	PLAQUETTE	PLATTE	1
63	12735105/0	VITE	SCREW	VIS	SCHRAUBE	2
64	22806512/0	SUPPORTO	SUPPORT	SUPPORT	HALTER	1
65	12728518/0	VITE	SCREW	VIS	SCHRAUBE	1
66	81003289/0	LEVA FRENO MOTORE	BRAKE LEVER	LEVIER FREIN MOTEUR	MOTORBREMSEHEBEL	1
67	22041966/0	BOCCOLA	BUSH	DOUILLE	BUCHSE	2
68	81007160/0	CAVO ACCELERATORE	THROTTLE CABLE	CABLE ACCELERATEUR	BESCHLEUNIGER KABEL	1
69	81000626/0	CAVO FRENO MOTORE NG 414 (QUANTUM XM)	THREAD MOTOR BRAKE NG 414 (QUANTUM XM)	CABLE FREIN MOTEUR NG 414 (QUANTUM XM)	MOTORBREMSEKABEL NG 414 (QUANTUM XM)	1
—	81000627/0	CAVO FRENO MOTORE NG 414 (SPRINT 375)	THREAD MOTOR BRAKE NG 414 (SPRINT 375)	CABLE FREIN MOTEUR NG 414 (SPRINT 375)	MOTORBREMSEKABEL NG 414 (SPRINT 375)	1
—	81000623/0	CAVO FRENO MOTORE NG 414-464 (TECUMSEH)	THREAD MOTOR BRAKE NG 414-464 (TECUMSEH)	CABLE FREIN MOTEUR NG 414-464 (TECUMSEH)	MOTORBREMSEKABEL NG 414-464 (TECUMSEH)	1
—	81000624/0	CAVO FRENO MOTORE NG 464 (QUANTUM XM)	THREAD MOTOR BRAKE NG 464 (QUANTUM XM)	CABLE FREIN MOTEUR NG 464 (QUANTUM XM)	MOTORBREMSEKABEL NG 464 (QUANTUM XM)	1
—	81000625/0	CAVO FRENO MOTORE NG 464 (SPRINT 375)	THREAD MOTOR BRAKE NG 464 (SPRINT 375)	CABLE FREIN MOTEUR NG 464 (SPRINT 375)	MOTORBREMSEKABEL NG 464 (SPRINT 375)	1
70	14356743/0	ETICHETTA (TECUMSEH)	LABEL (TECUMSEH)	ETIQUETTE (TECUMSEH)	ETIKETTE (TECUMSEH)	1
—	14356744/0	ETICHETTA (B&S)	LABEL (B&S)	ETIQUETTE (B&S)	ETIKETTE (B&S)	1
71	22735537/0	SETTORE REGOLAZIONE	ADJUSTERS SECTOR	SECTEUR REGLAGE	VERSTELLUNGSSEKTOR	4
72	81005082/0	SUPPORTO RUOTA	WHEEL SUPPORT	SUPPORT ROUE	RADHALTER	4
73	81003273/0	LEVA REGOLAZIONE	ADJUSTMENT LEVER	LEVIER REGLAGE	VERSTELLUNGHEBEL	4
74	22171001/0	DISTANZIALE	SPACER	ENTRETOISE	DISTANZRING	4
75A	12521350/0	RONDELLA	WASHER	RONDELLE	SCHEIBE	4
75	12793701/0	VITE	SCREW	VIS	SCHRAUBE	4
76	12523070/0	RONDELLA	WASHER	RONDELLE	SCHEIBE	4
77	12583500/0	GROWER	GROWER	GROWER	FEDERING	4
78	12293200/0	DADO	NUT	ECROU	MUTTER	4
79	81007325/0	RUOTA Ø 170 NERA	BALCK Ø 170 WHEEL	ROUE Ø 170 NOIRE	SCHWARZES Ø 170 RAD	4
80	12523060/0	RONDELLA	WASHER	RONDELLE	SCHEIBE	4
81	12293201/0	DADO	NUT	ECROU	MUTTER	4
82	22110262/0	COPRIMOZZO BIANCO	WHITE HUB CAP	COUVRE-MOYEU BLANC	WEISSE RADKAPPE	4
—	22110263/0	COPRIMOZZO GIALLO	YELLOW HUB CAP	COUVRE-MOYEU JAUNE	GELBE RADKAPPE	4

VARIANTI RUOTE Ø 170 SU BOCCOLE

WHEELS VARIANTS Ø 170 ON BUSHES

VARIANTES ROUES Ø 170 SUR DOUILLES

ÄNDERUNGEN AUF RAEDER Ø 170 MIT BÜCHSEN

83	81007326/0	RUOTA NERA	BLACK WHEEL	ROUE NOIRE	SCHWARZES RAD	4
84	22034508/0	BOCCOLA	BUSH	DOUILLE	BUCHSE	8
86	12521350/0	RONDELLA	WASHER	RONDELLE	SCHEIBE	4
87	12155000/0	DADO	NUT	ECROU	MUTTER	4

101	98004000/0	ASS. SACCO IN TELA	CANVASS GRASSCATCHER ASS.Y	ENSEMBLE SAC EN TOILE	KOMPLETTER SACK	1
102	81006408/0	TELAIO	CHASSIS	CHASSIS	RAHMEN	1
103	81002105/0	TELA SACCO	FABRIC BOX	TOILE POUR SAC	TUCK FÜR SACK	1
111	98005000/1	SACCO COMPLETO	COMPLETE GRASS-BOX	SAC COMPLET	KOMPLETTER KORB	1
112	22486076/0	PARTE SUP. SACCO	UPPER GRASS BOX	PARTIE SUP. SAC	OBERTEILER KORB	1
113	22486077/0	PARTE INF. SACCO	LOWER GRASS BOX	PARTIE INF. SAC	UNTERTEILER KORB	1

VARIANTE ACCELERATDRE

THROTTLE VARIANTS

VARIANTES DE COMANDE D'ACCELERATION

ÄNDERUNGEN AUF GASHEBEL

201	81007080/0	ASSIEME ACCELERATORE	TROTTLE UNIT ASS.Y	ENS. ACCELERATEUR	BESCHLEUNIGER	1
202	22319302/0	LEVA	LEVER	LEVIER	HEBEL	1
203	22394641/0	MANOPOLA	KNOB	POIGNÉE	GRIFF	1
204	12815000/0	VITE	SCREW	VIS	SCHRAUBE	1
205	12508100/0	RONDELLA ELASTICA	SPRING WASHER	RONDELLE ELASTIQUE	ELASTISCHE SCHEIBE	1
206	12521360/0	RONDELLA	WASHER	RONDELLE	SCHEIBE	2
207	22171005/0	DISTANZIALE	SPACER	ENTRETOISE	DISTANZRING	1
208	12581500/0	GROWER	GROWER	GROWER	FEDERING	1
209	12291000/0	DADO	NUT	ECROU	MUTTER	1
210	14356702/0	ETICHETTA (TECUMSEH)	LABEL (TECUMSEH)	ETIQUETTE (TECUMSEH)	ETIKETTE (TECUMSEH)	1
—	14356703/0	ETICHETTA (B&S)	LABEL (B&S)	ETIQUETTE (B&S)	ETIKETTE (B&S)	1

VARIANTE REGIME FISSO

R.P.M. VARIANTS

VARIANTES POUR MODÈLE À REGIME FIXE

ÄNDERUNGEN FÜR MODELLE MIT FIXIERTER DREHZAHL

251	22601000/0	PROTEZIONE	PROTECTION	PROTECTION	SCHUTZ	
—	81008605/0	DOTAZIONE VITERIA	SCREWS OUTFIT	DOTATION VISSERIE	SCHRAUBEN SATZ	1