

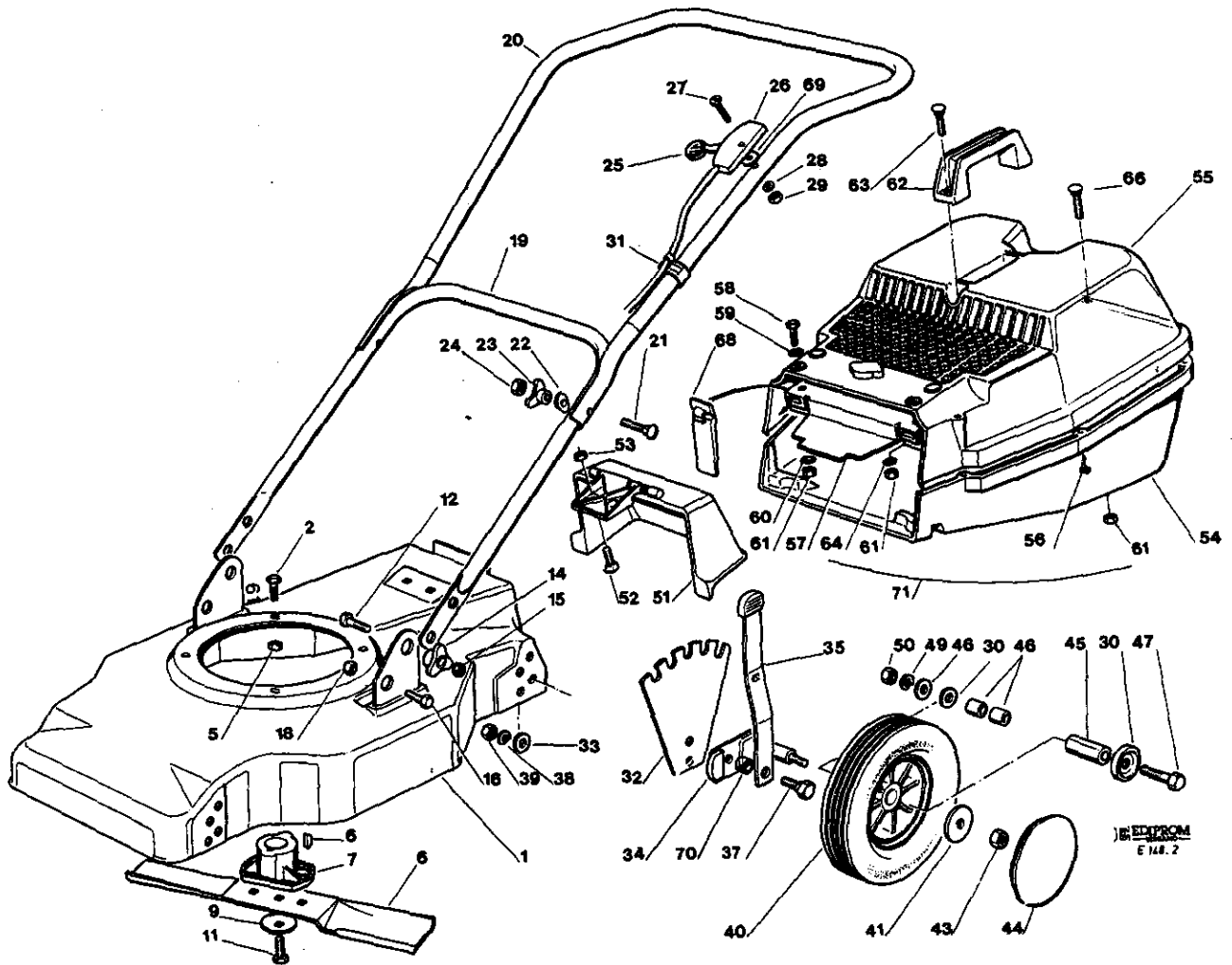


Garda

VISTE ESPLOSE
EXPLODED VIEWS
VUES ECLATEES
SPRENGZEICHNUNGEN

G 402
G 404

Mod. 1989



| Pos. Nr. | Codice Kodex Code | Descrizione | Description | Description | Beschreibung | Q.tà Q.ty Q.tà Mer |
|----------|-------------------|-----------------|--------------------|------------------|----------------------|--------------------|
| 1 | 81000032/0 | CHASSIS | DECK | CHASSIS | GEHÄUSE | 1 |
| 2 | 12792610/0 | VITE (2T) | SCREW (2T) | VIS (2T) | SCHRAUBE (2T) | 4 |
| 2A | 12793700/0 | VITE (4T) | SCREW (4T) | VIS (4T) | SCHRAUBE (4T) | 3 |
| 5 | 12293201/0 | DADO | NUT | ECROU | MUTTER | 4/3 |
| 6 | 12139100/0 | LINGUETTA | TONGUE | CLAVETTE | KEIL | 1 |
| 7 | 22463012/0 | MOZZO (PP 62) | BLADE HUB (PTO 62) | MOYEU (PF 62) | MESSERHALTER (MW.62) | 1 |
| 7A | 22463255/1 | MOZZO (PP 80) | BLADE HUB (PTO 80) | MOYEU (PF 80) | MESSERHALTER (MW 80) | 1 |
| 8 | 81004096/0 | COLTELLO | BLADE | LAME | MESSER | 1 |
| 9 | 22160400/0 | DISCO ELASTICO | FLEXIBLE DISK | DISQUE ELASTIQUE | SCHEIBE | 1 |
| 9A | 12523080/0 | RONDELLA | WASHER | RONDELLE | SCHEIBE | 1 |
| 11 | 12735698 | VITE (PP 62 4T) | SCREW (PTO 62 4T) | VIS (PF 62 4T) | SCHRAUBE (MW 62 4T) | 1 |
| 11A | 12736850/0 | VITE (PP 80 2T) | SCREW (PTO 80 2T) | VIS (PF 80 2T) | SCHRAUBE (MW 80 2T) | 1 |
| 11B | 12735694 | VITE (PP 80 4T) | SCREW (PTO 80 4T) | VIS (PF 80 4T) | SCHRAUBE (MW 80 4T) | 1 |
| 12 | 12793300/0 | VITE | SCREW | VIS | SCHRAUBE | 2 |
| 14 | 22399900/0 | MANOPOLINA | KNOB | POIGNÉE | GRIFF | 2 |
| 15 | 12293200/0 | DADO | NUT | ECROU | MUTTER | 2 |
| 16 | 12792610/0 | VITE | SCREW | VIS | SCHRAUBE | 2 |
| 18 | 12155000/0 | DADO | NUT | ECROU | MUTTER | 2 |



CASTEL GARDEN EQUIPMENT spa
 I - 31033 CASTELFRANCO VENETO - ITALY
 TF (0423) 493161 - TX 433359 GARDEN ITALY
 FAX (0423) 498404

CN 71502628/0
 Printed in Italy by T1

| Pos. Nr. | Codice Kodex Code | Descrizione | Description | Description | Beschreibung | Q.tà Q.ty Q.té Menge |
|----------|-------------------|---------------------------------|-------------------------|------------------------------------|------------------------------|-------------------------------|
| 19 | 81006760/0 | PARTE INF. MANICO (NERO) | LOWER HANDLE BLACK | PARTIE INF. MANCHERON (NOIR) | HOLUNTERTEIL (SCHWARZ) | 1 |
| 20 | 81006797/0 | PARTE SUP. MANICO (NERO) | UPPER HANDLE | PARTIE SUP. MANCHERON (NOIR) | HOMOBERTEIL (SCHWARZ) | 1 |
| 21 | 12819120/0 | VITE | SCREW | VIS | SCHRAUBE | 2 |
| 22 | 22680006/1 | RONDELLA SAGOMATA | WASHER | RONDELLE | SCHLEIBE | 2 |
| 23 | 22399900/0 | MANOPOLINA | KNOB | POIGNÉE | GRIFF | 2 |
| 24 | 12293200/0 | DADO | NUT | ECROU | MUTTER | 2 |
| 25 | 81007250/0 | ASSIEME LEVA ACCEL. | ACCELERATOR LEVER ASS'Y | ENS. ACCELERATEUR | GASZUGSHEBEL | 1 |
| 26 | 81007042/0 | ASS. ACCEL. ECON. UNIVERSALE DX | RIGHT ACCELERATOR ASS'Y | ENS. ACCELERATEUR UNIVERSEL DROITE | BILLIGER-BESCHLEUNIGER RECHT | 1 |
| 26A | 81007041/0 | ASS. ACCEL. ECON. UNIVERSALE SX | LEFT ACCELERATOR ASS'Y | ENS. ACCELERATEUR UNIVERSEL GAUCHE | BILLIGER-BESCHLEUNIGER LINK | 1 |
| 27 | 12903020/0 | VITE | SCREW | VIS | SCHRAUBE | 1 |
| 26 | 12582100/0 | GROWER | GROWER | RONDELLE GROWER | FEDERRING | 1 |
| 29 | 12292100/0 | DADO | NUT | ECROU | MUTTER | 1 |
| 30 | 12523060/0 | RONDELLA | WASHER | RONDELLE | SCHLEIBE | 4 |
| 31 | 22192000/0 | FASCETTA ANCORAGGIO | ANCHOR CLAMP | COLLIER ANCRAGE GAINÉ | BOWDENZUGHALTER | 1 |
| 32 | 22735530/0 | SETTORE REGOLAZIONE | HEIGHT ADJ. SECTOR | SECTEUR REGLAGE | VERSTELLUNGSSEKTOR | 4 |
| 33 | 12523080/0 | RONOELLA | WASHER | RONDELLE | SCHLEIBE | 4 |
| 34 | 81005082/0 | SUPPORTO RUOTA | WHEEL SUPPORT | SUPPORT ROUE | RADHALTER | 4 |
| 35 | 81003273/0 | LEVA CON MANOPOLA | LEVER WITH CAP | LEVIER AVEC POIGNÉE | HEBEL MIT GRIFF | 4 |
| 37 | 12794200/0 | VITE | WASHER | VIS | SCHRAUBE | 4 |
| 38 | 12585100/0 | GROWER | GROWER | RONDELLE GROWER | FEDERRING | 4 |
| 39 | 12295200/0 | DAOO | NUT | ECROU | MUTTER | 4 |
| 40 | 81003025/0 | RUOTA BIANCA | WHITE WHEEL | ROUE BLANCHE | WEISSE RAD | 4 |
| 40A | 81003029/0 | RUOTA GIALLA | YELLOW WHEEL | ROUE SOUNE | GELBES RAO | 4 |
| 41 | 12523060 | RONOELLA | WASHER | RONDELLE | SCHLEIBE | 4 |
| 43 | 12293201/0 | DADO | NUT | ECROU | MUTTER | 4 |
| 44 | 22110272/0 | COPRIMOZZO BIANCO | WHITE HUB | COUVRE MOYEU BLANCHE | RADKAPPE WEIB | 4 |
| 44A | 22110276/0 | COPRIMOZZO GIALLO | YELLOW HUB COVER | COUVRE MOYEU JOONE | GELBES RADKAPPE 4 | |
| 45 | 22042651/0 | TUBO PER RUOTA | TUBE FOR WHEEL | TUBE POUR ROUE | BUCHSE | 4 |
| 46 | 12521350/0 | RONDELLA | WASHER | RONDELLE | SCHLEIBE | 3 |
| 47 | 12691600/0 | VITE | SCREW | VIS | SCHRAUBE | 4 |
| 48 | 22172420/0 | DISTANZIALE | SPACING | ENTRETOISE | DISTANZRING | 8 |
| 49 | 12583500/0 | RONDELLA | WASHER | RONDELLE | SCHLEIBE | 4 |
| 50 | 12293200/0 | DADO | NUT | ECROU | MUTTER | 4 |
| 51 | 81008055/0 | ASS. PARASASSI | STONE GUARD ASS'Y | ENS. PARE-PIÈRRRES | PRALLBLECH | 1 |
| 52 | 12815200/0 | VITE | SCREW | VIS | SCHRAUBE | 2 |
| 53 | 12292100/0 | DADO | NUT | ECROU | MUTTER | 2 |
| 53A | 12523040/0 | RONDELLA | WASHER | RONDELLE | SCHLEIBE | 2 |
| 54 | 22486056/0 | PARTE INF. SACCO | LOWER GRASSCATCHER | PARTIE INF. BAC | UNTERKORB | 1 |
| 55 | 22486055/0 | PARTE SUP. SACCO | UPPER GRASSCATCHER | PARTIE SUP. BAC | OBBERKORB | 1 |
| 57 | 12728640/0 | VITE | SCREW | VIS | SCHRAUBE | 6 |
| 57 | 81003424/0 | SUPPORTO AGGANCIIO | COUPLING SUPPORT | SUPPORT ACCROCHAGE | HALTER | 1 |
| 58 | 12727791/0 | VITE | SCREW | VIS | SCHRAUBE | 2 |
| 59 | 12523040/0 | RONDELLA | WASHER | RONDELLE | SCHLEIBE | 4 |
| 60 | 12582100/0 | GROWER | GROWER | RONDELLE GROWER | FEDERRING | 2 |
| 61 | 12292100/0 | DAOO | NUT | ECROU | MUTTER | 5 |
| 62 | 22381900/0 | MANIGLIA | HANDLE | POIGNÉE | GRIFF | 1 |
| 63 | 12792400/0 | VITE | SCREW | VIS | SCHRAUBE | 2 |
| 64 | 12582100/0 | GROWER | GROWER | RONDELLE GROWER | FEDERRING | 1 |
| 66 | 12792400/0 | VITE | SCREW | VIS | SCHRAUBE | 1 |
| 68 | 22601501/0 | PROTEZIONE USCITA | EJECTION GUARD | PROTECTION SORTIE | AUSWURFSCHUTZ | 2 |
| 69 | 12523040/0 | RONDELLA | WASHER | RONDELLE | SCHLEIBE | 1 |
| 70 | 22170900/0 | BUSSOLA | BUSH | DOUILLE | BUCHSE | 4 |
| 71 | 92003000/0 | SACCO COMPLETO | COMPLETE GRASSCATCHER | BAC COMPLET | KOMPLETTER KORB | 1 |
| -- | 81008543/0 | DOTAZIONE SACCO | BAG OUTFIT | DOTATION BAC | KORB AUSSTATTUNG | |
| -- | 81008561/0 | DOTAZIONE VITERIA | SCREWS OUTFIT | DOTATION VISSERIE | SCHRAUBENSATZ | |