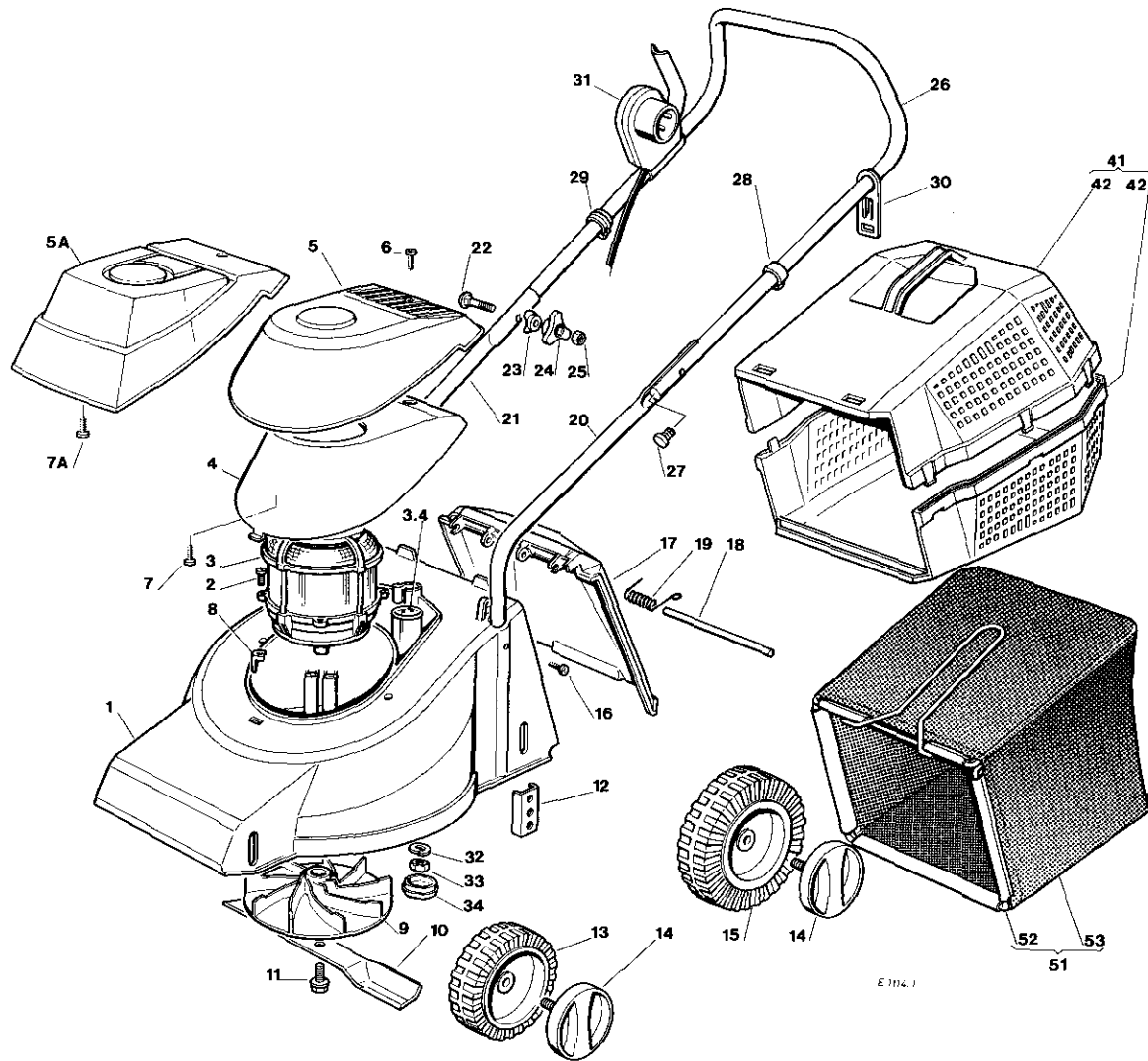


VISTE ESPLOSE
EXPLODED VIEWS

VUES ECLATEES
SPRENGZEICHNUNGEN

K 350

Mod. 1996



Pos. Nr.	Codice Kodex Code	Descrizione	Description	Description	Beschreibung	Q.tà Q.ty Q.tè Menge
1	81001036/1	ASS. CHASSIS ROSSO	DECK ASS.Y RED	ENS. CHASSIS ROUGE	GEHÄUSE SATZ ROT	1
—	81001037/1	ASS. CHASSIS GIALLO	DECK ASS.Y YELLOW	ENS. CHASSIS JAUNE	GEHÄUSE SATZ GELB	1
—	81001015/1	ASS. CHASSIS VERDE	DECK ASS.Y GREEN	ENS. CHASSIS VERT	GEHÄUSE SATZ GUEN	1
2	12735410/0	VITE	SCREW	VIS	SCHRAUBE	4
3	18563064/0	MOTDRE IBMEI 900W (220-230V)	IBMEI MOTOR 900W (220-230V)	MOTEUR IBMEI 900W (220-230V)	MOTOR IBMEI 900W (220-230V)	1
—	18563066/0	MOTDRE IBMEI 900W (240V)	IBMEI MOTOR 900W (240V)	MOTEUR IBMEI 900W (240V)	MDTOR IBMEI 900W (240V)	1
—	18563007/1	MOTDRE RST 900W (220-230V)	RST MOTOR 900W (220-230V)	MOTEUR RST 900W (220-230V)	MOTOR RST 900W (220-230V)	1
3-4	18222034/0	CONDENSATORE 8µF	CONDENSER 8µF	CONDENSEUR 8µF	KONDENSATOR 8µF	1
4	22055032/0	SUP. CAPOTTINA	COVER SUPPORT	SUPPORT CAPOT	HAUBEHALTER	1
5	81002006/0	ASS. CAPOTTINA	COVER ASS.Y	ENS. CAPOT	KOMPLETTE HAUBE	1
5A	81002007/0	ASS. CAPOTTINA	COVER ASS.Y	ENS. CAPOT	KOMPLETTE HAUBE	1
6	12728680/0	VITE	SCREW	VIS	SCHRAUBE	1
7	12728450/0	VITE	SCREW	VIS	SCHRAUBE	1
7A	12728680/0	VITE	SCREW	VIS	SCHRAUBE	1
8	22167700/0	DISTANZIALE	SPACER	ENTRETOISE	DISTANZRING	4
9	22465602/0	MOZZO	HUB	MOYEU	HALTER	1
10	81004115/0	CDLTELLO STANDARD	STANDARD BLADE	LAME STANDARD	STANDARD MESSER	1
—	81004116/0	COLTELLO ALETTATO	WINGS BLADE	LAME À AILETTES	FLUEGEL MESSER	1
11	81004352/0	VITE	SCREW	VIS	SCHRAUBE	1
12	22785087/1	SUPP. RUDTE	WHEELS SUPPDRT	SUPPORT ROUE	RADHALTER	4
13	22686081/0	RUOTA Ø 130	WHEEL Ø 130	ROUE Ø 130	RAD Ø 130	2
14	81004348/0	COPRIMOZZO BIANCO	HUB COVER WHITE	COUVRE-MOYEU BLANCHE	RADKAPPE WEIß	4
—	81004347/0	COPRIMOZZO GIALLO	HUB COVER YELLOW	COUVRE-MDYEU JOUNE	RADKAPPE GELB	4
15	22686082/0	RUOTA Ø 160	WHEEL Ø 160	ROUE Ø 160	RAD Ø 160	2

Pos. Nr.	Codice Kodex Code	Descrizione	Description	Description	Beschreibung	Q.tà Q.ty Q.tè Menge
16	12728450/0	VITE	SCREW	VIS	SCHRAUBE	2
17	22600024/1	PARASSASSI	STONE-GUARD	PARE-PIERRES	PRALLBLECH	1
18	22512530/0	PERNO	PIN	PIVOT	BOLZEN	1
19	22450250/0	MOLLA	SPRING	RESSORT	FEDER	1
20	81006940/0	MANICO INF. SX	L. LOWER HANDLE	MANCHERON INF. G.	L. UNTERHOLM	1
21	81006939/0	MANICO INF. DX	R. LOWER HANDLE	MANCHERON INF. D.	R. UNTERHOLM	1
22	12819120/0	VITE	SCREW	VIS	SCHRAUBE	2
23	22680006/1	RONDELLA	WASHER	RONDELLE	SCHEIBE	2
24	22399900/0	MANOPOLINA	KNOB	POIGNÉE	GRIFT	2
25	12293200/0	DADO	NUT	ECROU	MUTTER	2
26	81006941/2	PARTE SUP. MANICO	UPPER HANDLE	PARTIE SUP. MANCHERON	HOLMDBERTEIL	1
27	18566112/0	TAPPO	CAP	BOUCHON	GUMMISTOPFEN	2
28	22192151/0	FERMACAVO	FAIRLEAD	FIXATION CABLE	KABELBEFESTIGUNG	1
29	22192000/1	FASCETTA ANCORAGGIO	ANCHOR CLAMP	COLLIER ANCRAGE	BOWDENZUGHALTER	1
30	22195101/1	FERMACAVO	FAIRLEAD	FIXATION CABLE	KABELBEFESTIGUNG	1
31	18710611/0	SALVAMOTORE M.M. 6,5 AMP. 602 MS (900W RST)	DEAD HAND SWITCH 6,5 AMP. 602 MS (900W RST)	INT. MAIN MORTE 6,5 AMP. 602 MS (900W RST)	TOT MANSCHALTER 6,5 AMP. 602 MS (900W RST)	1
—	18710625/0	SALVAMOTORE M.M. 6,5 AMP. 603 MS (900W RST) SOLO PER SVIZZERA	DEAD HAND SWITCH 6,5 AMP. 603 MS (900W RST) ONLY FOR SWITZERLAND	INT. MAIN MORTE 6,5 AMP. 603 MS (900W RST) SEULEMENT POUR LA SUISSE	TOT MANSCHALTER 6,5 AMP. 603 MS (900W RST) NUR FÜR SCHWEIZ	1
—	18710629/0	SALVAMOTORE M.M. 5 AMP. 602 MS (900W IBMEI)	DEAD HAND SWITCH 5 AMP. 602 MS (900W IBMEI)	INT. MAIN MORTE 5 AMP. 602 MS (900W IBMEI)	TOT MANSCHALTER 5 AMP. 602 MS (900W IBMEI)	1
—	18710631/0	SALVAMOTORE M.M. 5 AMP. 607 MS (900W IBMEI)	DEAD HAND SWITCH 5 AMP. 607 MS (900W IBMEI)	INT. MAIN MORTE 5 AMP. 607 MS (900W IBMEI)	TOT MANSCHALTER 5 AMP. 607 MS (900W IBMEI)	1
—	18710630/0	SALVAMOTORE M.M. 5 AMP. 603 MS (900W IBMEI) SOLO PER SVIZZERA	DEAD HAND SWITCH 5 AMP. 603 MS (900W IBMEI) ONLY FOR SWITZERLAND	INT. MAIN MORTE 5 AMP. 603 MS (900W IBMEI) SEULEMENT POUR LA SUISSE	TOT MANSCHALTER 5 AMP. 603 MS (900W IBMEI) NUR FÜR SCHWEIZ	1
—	18710626/1	SALVAMOTORE M.M. SENZA PROT. TERMICA 601 MS	DEAD HAND SWITCH 601 MS WITHOUT OVERLOAD PROTECTION	INT. MAIN MORTE 601 MS SANS PROTECTION TERMIQUE	TOT MANSCHALTER 601 MS OHNE THERMISCHER SHUTZ	1
32	12640060/0	GROWER	GROWER	GROWER	FEDERRING	1
33	12293200/0	DADO	NUT	ECROU	MUTTER	1
34	22110275/0	TAPPO	CAP	BOUCHON	GUMMISTOPFEN	1
41	97004000/0	SACCO COMPLETO	COMPLETE GRASS-BOX	BAC COMPLET	KOMPLETTER KORB	1
42	22486040/0	PARTE INF.-SUP. SACCO	UPPER. LOWER GRASS-BOX	PARTIE SUP.-INF. SAC	OBER-UNTERKORB	2
51	97006000/0	ASS. SACCO TELA	CANVASS GRASSCATCHER	ENSEMBLE SAC EN TOILE	KOMPLETTER SACK	1
52	81006414/0	TELAIO	CHASSIS	CHASSIS	RAHMEN	1
53	81002103/0	SACCO TELA	FABRIC BOX	TOILE POUR SAC	TUCK FÜR SACK	1
—	81008592/0	DOTAZIONE VITERIA	SCREWS OUTFIT	DOTATION VISSERIE	SCHRAUBEN SATZ	1