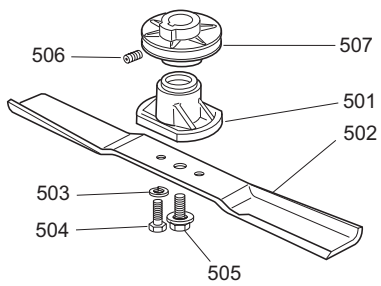
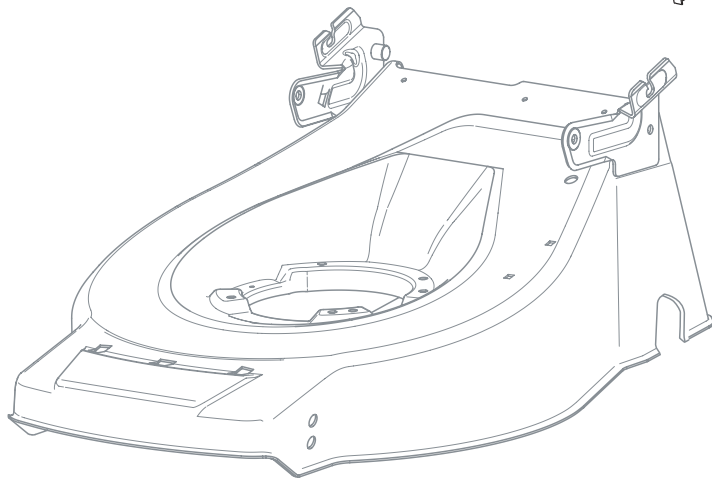
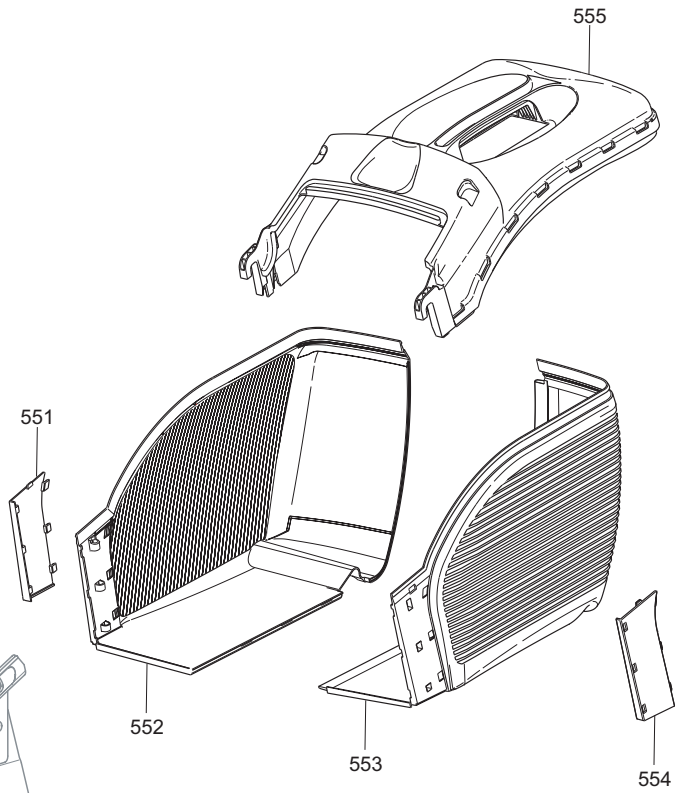
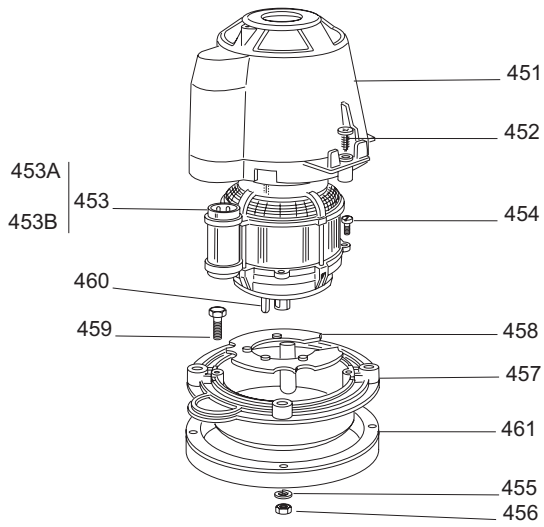
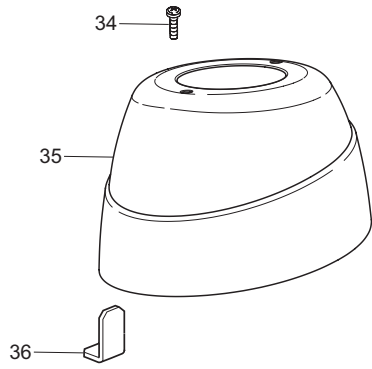


B102

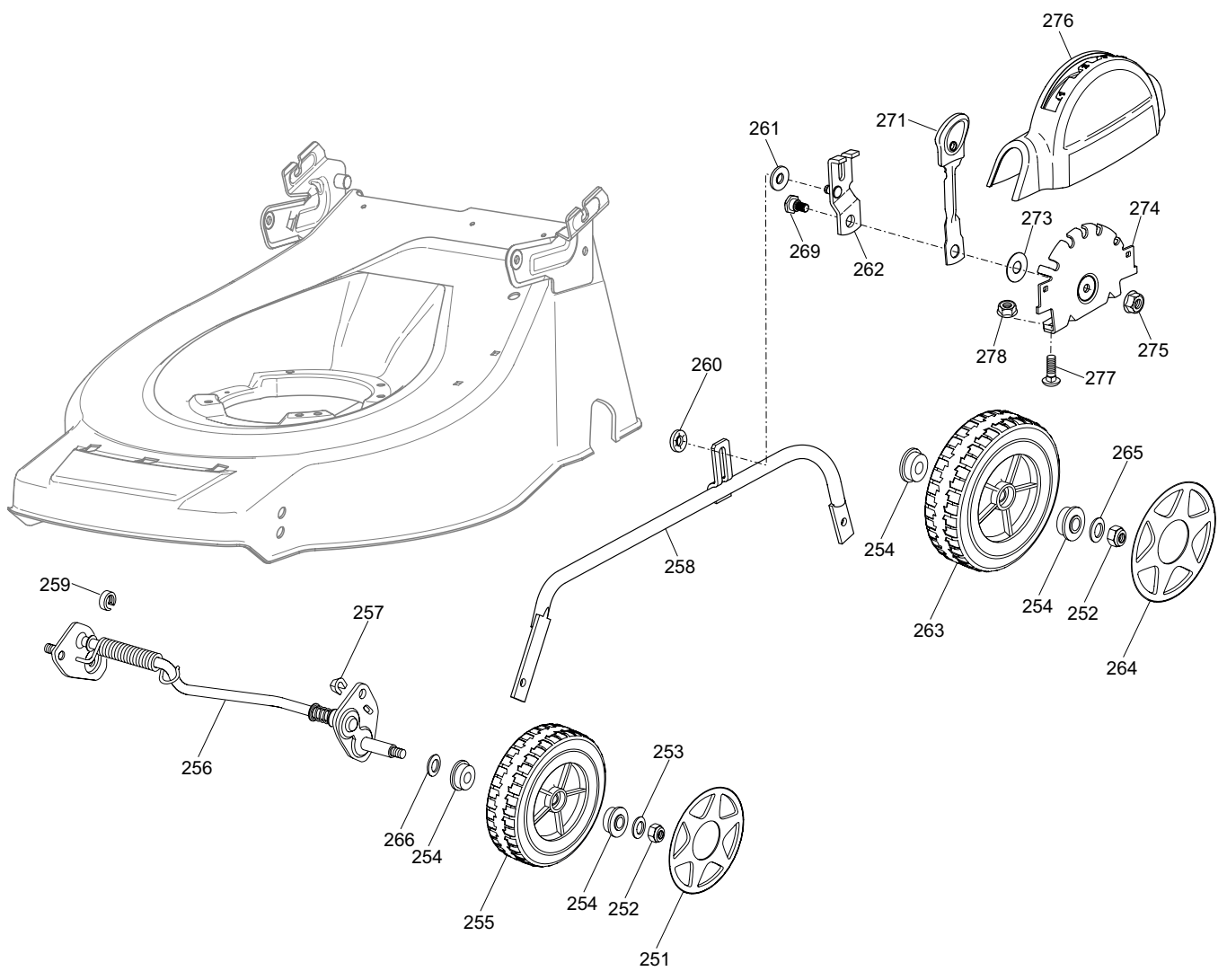
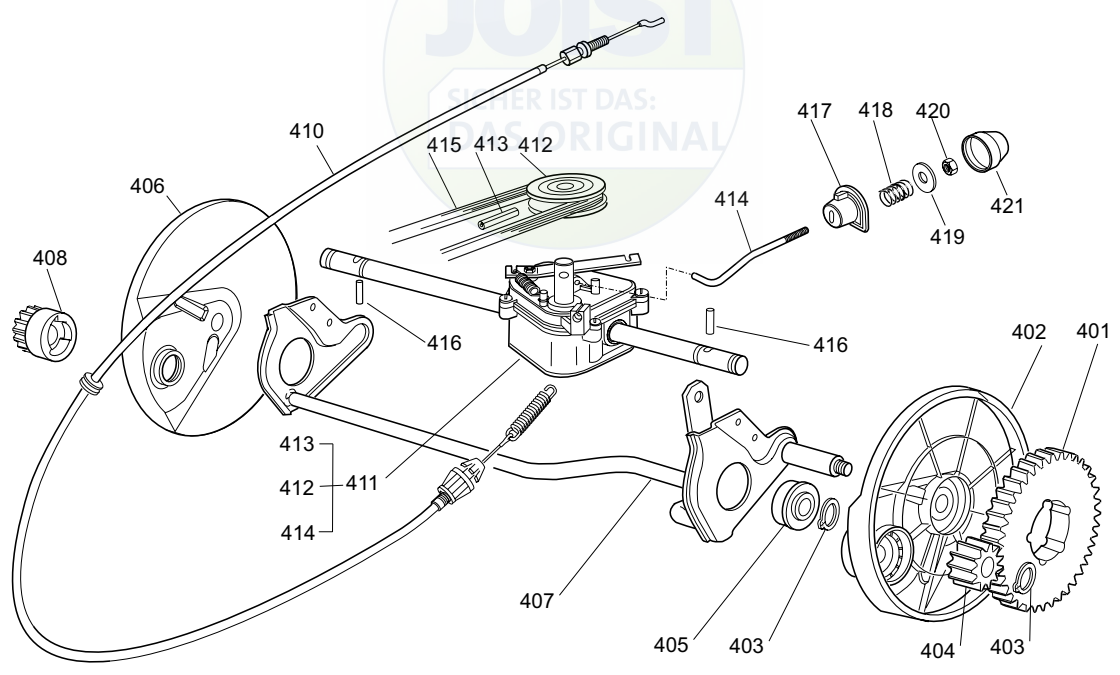
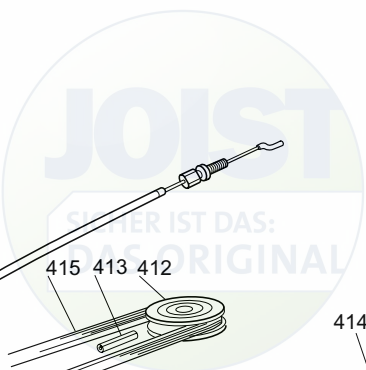


| Ausgabe<br>Issue<br>2005- 1 |                 | Bild Nr<br>Picture No<br>B102 |  | VARIOLUX 48 ECA<br>CHASSIE<br>HOLM |                            | VARIOLUX 48 ECA<br>CHASSIS<br>HANDLE |             | Seite<br>Page<br>40 |  |
|-----------------------------|-----------------|-------------------------------|--|------------------------------------|----------------------------|--------------------------------------|-------------|---------------------|--|
| Pos.<br>Fig.                | Anzahl/Quantity |                               |  | Artikel Nr.<br>Part No             | Bezeichnung                | Description                          | Satz<br>Kit | Anmerkung<br>Notes  |  |
|                             |                 |                               |  |                                    |                            |                                      |             |                     |  |
| X                           | 1               | 1                             |  | 1136-1753-01                       | Gehäuse.....               | Deck.....                            |             |                     |  |
|                             | 2               | 3                             |  | 1136-0615-01                       | Schraube .....             | Screw.....                           |             |                     |  |
|                             | 3               | 1                             |  | 1136-1329-01                       | Schutz .....               | Protection .....                     |             |                     |  |
|                             | 4               | 4                             |  | 9847-8119-16                       | Schraube .....             | Screw.....                           |             |                     |  |
|                             | 5               | 2                             |  | 1136-0682-01                       | Platte .....               | Plate.....                           |             |                     |  |
|                             | 6               | 1                             |  | 1136-0665-01                       | Gummieinsatz.....          | Rubber insert .....                  |             |                     |  |
| X                           | 7               | 1                             |  | 1136-1694-01                       | Haube .....                | Cover .....                          |             |                     |  |
|                             | 8               | 2                             |  | 1117-3226-01                       | Schraube .....             | Screw.....                           |             |                     |  |
|                             | 9               | 3                             |  | 1136-1458-01                       | Schraube .....             | Screw.....                           |             |                     |  |
|                             | 10              | 2                             |  | 9675-0012-02                       | Verriegelungsscheibe ..... | Locking washer.....                  |             |                     |  |
| X                           | 11              | 1                             |  | 1136-1731-01                       | Stange .....               | Rod.....                             |             |                     |  |
| X                           | 12              | 1                             |  | 1136-1723-01                       | Feder- links .....         | Spring- LH.....                      |             |                     |  |
| X                           | 13              | 1                             |  | 1136-1724-01                       | Feder- rechts.....         | Spring- RH.....                      |             |                     |  |
| X                           | 14              | 1                             |  | 1136-1698-01                       | Halter .....               | Support.....                         |             |                     |  |
| X                           | 15              | 1                             |  | 1136-1736-01                       | Klappe .....               | Rear flap .....                      |             |                     |  |
|                             | 16              | 2                             |  | 1136-0061-01                       | Propfen.....               | Cap.....                             |             |                     |  |
| X                           | 17              | 1                             |  | 1136-1761-01                       | Holm- Unterteil .....      | Handle- lower .....                  |             |                     |  |
| X                           | 18              | 2                             |  | 1136-1765-01                       | Holmrohr .....             | Handle tube.....                     |             |                     |  |
| X                           | 19              | 1                             |  | 1136-1764-01                       | Holm- Oberteil .....       | Handle- upper.....                   |             |                     |  |
| X                           | 20              | 1                             |  | 1136-1716-01                       | Handgriff .....            | Handgrip .....                       |             |                     |  |
| X                           | 21              | 2                             |  | 1136-1733-01                       | Bolzen.....                | Pin.....                             |             |                     |  |
|                             | 22              | 2                             |  | 9675-0012-02                       | Verriegelungsscheibe ..... | Locking washer.....                  |             |                     |  |
| X                           | 23              | 4                             |  | 1136-1755-01                       | Hebel .....                | Handle lever.....                    |             |                     |  |
| X                           | 24              | 4                             |  | 1136-1738-01                       | Scheibe.....               | Washer.....                          |             |                     |  |
|                             | 25              | 4                             |  | 1136-0309-01                       | Scheibe.....               | Washer.....                          |             |                     |  |
| X                           | 26              | 4                             |  | 1136-1721-01                       | Schloßrad .....            | Locking knob .....                   |             |                     |  |
|                             | 27              | 4                             |  | 9799-0831-02                       | Mutter .....               | Nut.....                             |             |                     |  |
| X                           | 28              | 2                             |  | 1136-1745-01                       | Gummistopfen.....          | Cap.....                             |             |                     |  |
| X                           | 29              | 2                             |  | 1136-1709-01                       | Ringmutter .....           | Ring nut .....                       |             |                     |  |
| X                           | 30              | 2                             |  | 1136-1708-01                       | Griff .....                | Knob .....                           |             |                     |  |
| X                           | 31              | 2                             |  | 1136-1681-01                       | Schraube .....             | Screw.....                           |             |                     |  |
| X                           | 32              | 1                             |  | 1136-1720-01                       | Griff- untere .....        | Knob- lower.....                     |             |                     |  |
| X                           | 33              | 1                             |  | 1136-1719-01                       | Griff- obere .....         | Knob- upper.....                     |             |                     |  |
|                             | 37              | 2                             |  | 9836-9225-12                       | Schraube .....             | Screw.....                           |             |                     |  |
| X                           | 38              | 1                             |  | 1136-1769-01                       | Schalter .....             | Dead hand switch.....                |             |                     |  |
| X                           | 38              | 1                             |  | 1136-1770-01                       | Schalteq .....             | Dead hand switch.....                |             | die Schweiz         |  |
| X                           | 39              | 1                             |  | 1136-1714-01                       | Gummistopfen.....          | Cap.....                             |             |                     |  |
|                             | 40              | 1                             |  | 1136-0662-01                       | Kabelbefestigung .....     | Fairlead .....                       |             |                     |  |
|                             | 41              | 3                             |  | 1136-0660-01                       | Bowdenzughalter .....      | Anchor clamp.....                    |             |                     |  |
|                             | 51              | 6                             |  | 9836-9225-12                       | Schraube .....             | Screw.....                           |             |                     |  |
| X                           | 52              | 1                             |  | 1136-1710-01                       | Schutz .....               | Protection .....                     |             |                     |  |
| X                           | 53              | 1                             |  | 1136-1743-01                       | Stütz .....                | Support.....                         |             |                     |  |
| X                           | 54              | 1                             |  | 1136-1744-01                       | Stütz .....                | Support.....                         |             |                     |  |
|                             | 55              | 2                             |  | 9836-9116-12                       | Schraube .....             | Screw.....                           |             |                     |  |
| X                           | 56              | 1                             |  | 1136-1717-01                       | Regulierbügel .....        | Control lever .....                  |             |                     |  |
| X                           | 57              | 1                             |  | 1136-1712-01                       | Schutz .....               | Protection .....                     |             |                     |  |
| X                           | 58              | 3                             |  | 1136-1692-01                       | Deckel.....                | Cap.....                             |             |                     |  |
| X                           | 59              | 2                             |  | 1136-1734-01                       | Deckel.....                | Cover plate.....                     |             |                     |  |
| X                           | 60              | 1                             |  | 1136-1747-01                       | Deckel.....                | Cap.....                             |             |                     |  |
| X                           | 61              | 1                             |  | 1136-1680-01                       | Schraube .....             | Screw.....                           |             |                     |  |
| X                           | 62              | 1                             |  | 1136-1679-01                       | Scheibe.....               | Washer.....                          |             |                     |  |
| X                           | 63              | 1                             |  | 1136-1742-01                       | Stütz .....                | Support.....                         |             |                     |  |
|                             | 231             | 1                             |  | 1136-1338-01                       | Deflektor .....            | Deflector .....                      |             |                     |  |





| Ausgabe<br>Issue<br>2005- 1 |                 | Bild Nr<br>Picture No<br>B104 |  | VARIOLUX 48 ECA<br>MESSER<br>GRASFANGKORB |                        | VARIOLUX 48 ECA<br>BLADE<br>GRASS COLLECTOR |                          | Seite<br>Page<br>42 |                           |
|-----------------------------|-----------------|-------------------------------|--|---|------------------------|---|--------------------------|---------------------|---------------------------|
| Pos.<br>Fig.                | Anzahl/Quantity |                               |  |   | Artikel Nr.<br>Part No | Bezeichnung                                 | Description              | Satz<br>Kit         | Anmerkung<br>Notes        |
|                             |                 |                               |  |   |                        |   |                          |                     |                           |
| X 34                        | 2               |                               |  |   | 9836-9525-12           | Schraube .....                              | Screw .....              |                     | Inkl 453A - 453B<br>20 µF |
| X 35                        | 1               |                               |  |   | 1136-1691-01           | Haube .....                                 | Cover .....              |                     |                           |
| X 36                        | 2               |                               |  |   | 1136-1735-01           | Platte .....                                | Plate .....              |                     |                           |
| X 451                       | 1               |                               |  |   | 1136-1741-01           | Haubenhalter .....                          | Cover support .....      |                     |                           |
| X 452                       | 4               |                               |  |   | 1136-1682-01           | Schraube .....                              | Screw .....              |                     |                           |
| X 453                       | 1               |                               |  |   | 1136-1688-01           | El. Motor .....                             | El. motor .....          |                     |                           |
| X 453 A                     | 1               |                               |  |   | 1136-1689-01           | • Lüfter .....                              | • Fan .....              |                     |                           |
| X 453 B                     | 1               |                               |  |   | 1136-1686-01           | • Kondensator .....                         | • Condensator .....      |                     |                           |
| 454                         | 4               |                               |  |   | 9836-9635-12           | Schraube .....                              | Screw .....              |                     |                           |
| 455                         | 4               |                               |  |   | 9683-0030-02           | Scheibe .....                               | Lock washer .....        |                     |                           |
| 456                         | 4               |                               |  |   | 9799-0831-02           | Mutter .....                                | Nut .....                |                     |                           |
| X 457                       | 1               |                               |  |   | 1136-1706-01           | Flansch .....                               | Flange .....             |                     |                           |
| X 458                       | 1               |                               |  |   | 1136-1739-01           | Lüftungsschirm .....                        | Ventilation screen ..... |                     |                           |
| 459                         | 4               |                               |  |   | 9997-0860-16           | Schraube .....                              | Screw .....              |                     |                           |
| X 460                       | 1               |                               |  |   | 1136-1677-01           | Keil .....                                  | Key .....                |                     |                           |
| X 461                       | 1               |                               |  |   | 1136-1705-01           | Distanz .....                               | Spacer .....             |                     |                           |
| X 501                       | 1               |                               |  |   | 1136-1725-01           | Messerhalter .....                          | Hub .....                |                     |                           |
| X 502                       | 1               |                               |  |   | 1111-9741-01           | Messer .....                                | Blade .....              |                     |                           |
| 503                         | 2               |                               |  |   | 9683-0030-02           | Scheibe .....                               | Lock washer .....        |                     |                           |
| 504                         | 2               |                               |  |   | 9997-0820-16           | Schraube .....                              | Screw .....              |                     |                           |
| 505                         | 1               |                               |  |   | 1136-0752-01           | Messerbolzen .....                          | Blade bolt .....         |                     |                           |
| 506                         | 1               |                               |  |   | 1136-1417-01           | Schraube .....                              | Set screw .....          |                     |                           |
| X 507                       | 1               |                               |  |   | 1136-1737-01           | Riemenscheibe .....                         | Pulley .....             |                     |                           |
| X 551                       | 1               |                               |  |   | 1136-1729-01           | Profil- rechts .....                        | Profile- RH .....        |                     |                           |
| X 552                       | 1               |                               |  |   | 1136-1727-01           | Graskorb- rechts .....                      | Grassbox lower- RH ..... |                     |                           |
| X 553                       | 1               |                               |  |   | 1136-1728-01           | Graskorb- links .....                       | Grassbox lower- LH ..... |                     |                           |
| X 554                       | 1               |                               |  |   | 1136-1730-01           | Profil- links .....                         | Profile- LH .....        |                     |                           |
| X 555                       | 1               |                               |  |   | 1136-1726-01           | Graskorb- Oberteil .....                    | Grassbox- upper .....    |                     |                           |



B103



| Ausgabe<br>Issue<br>2005- 1 |                 | Bild Nr<br>Picture No<br>B103 |  | VARIOLUX 48 ECA<br>RADAUFHÄNGUNG<br>GETRIEBE |                        | VARIOLUX 48 ECA<br>WHEEL SUSPENSION<br>TRANSMISSION |                            | Seite<br>Page<br>44 |                    |
|-----------------------------|-----------------|-------------------------------|--|--|------------------------|---|----------------------------|---------------------|--------------------|
| Pos.<br>Fig.                | Anzahl/Quantity |                               |  |  | Artikel Nr.<br>Part No | Bezeichnung   | Description                | Satz<br>Kit         | Anmerkung<br>Notes |
|                             |                 |                               |  |  |                        |   |                            |                     |                    |
| X                           | 251             | 2                             |  |  | 1136-1701-01           | Radkappe- grau .....                                | Hub cap- grey .....        |                     |                    |
|                             | 252             | 4                             |  |  | 9747-0831-02           | Mutter .....  | Lock nut .....             |                     |                    |
|                             | 253             | 2                             |  |  | 9699-0028-02           | Scheibe .....                                       | Flat washer .....          |                     |                    |
|                             | 254             | 8                             |  |  | 1136-0655-01           | Lager .....   | Bearing .....              |                     |                    |
|                             | 255             | 2                             |  |  | 1136-1520-01           | Rad .....   | Wheel .....                |                     |                    |
|                             | 256             | 1                             |  |  | 1136-1357-01           | Radachse- vorne .....                               | Wheel axle- front .....    |                     |                    |
|                             | 257             | 2                             |  |  | 1136-0009-01           | Schließplatte .....                                 | Lock plate .....           |                     |                    |
| X                           | 258             | 1                             |  |  | 1136-1759-01           | Höhenverstellstange .....                           | Height adjust rod .....    |                     |                    |
|                             | 259             | 1                             |  |  | 1136-0658-01           | Distanzring .....                                   | Spacer .....               |                     |                    |
|                             | 260             | 1                             |  |  | 9675-0009-02           | Verriegelungsscheibe .....                          | Starlock .....             |                     |                    |
|                             | 261             | 1                             |  |  | 1136-0006-01           | Federscheibe .....                                  | Elastic washer .....       |                     |                    |
| X                           | 262             | 1                             |  |  | 1136-1757-01           | Halter .....  | Attachment .....           |                     |                    |
|                             | 263             | 2                             |  |  | 1136-0772-01           | Rad .....   | Wheel .....                |                     |                    |
| X                           | 264             | 2                             |  |  | 1136-1702-01           | Radkappe- grau .....                                | Hub cap- grey .....        |                     |                    |
|                             | 265             | 2                             |  |  | 1136-0006-01           | Federscheibe .....                                  | Elastic washer .....       |                     |                    |
|                             | 266             | 2                             |  |  | 1136-0609-01           | Elastische Scheibe .....                            | Elastic washer .....       |                     |                    |
| X                           | 269             | 1                             |  |  | 1136-1732-01           | Schulterschraube .....                              | Shoulder bolt .....        |                     |                    |
| X                           | 271             | 1                             |  |  | 1136-1756-01           | Höhenverstellhebel .....                            | Height adjust lever .....  |                     |                    |
|                             | 273             | 1                             |  |  | 1136-0089-01           | Scheibe .....                                       | Washer .....               |                     |                    |
| X                           | 274             | 1                             |  |  | 1136-1740-01           | Sektor .....  | Height adjust sector ..... |                     |                    |
|                             | 275             | 1                             |  |  | 9747-0831-02           | Mutter .....  | Lock nut .....             |                     |                    |
| X                           | 276             | 1                             |  |  | 1136-1693-01           | Deckel .....  | Cover .....                |                     |                    |
|                             | 277             | 2                             |  |  | 9898-0616-16           | Schraube .....                                      | Screw .....                |                     |                    |
|                             | 278             | 2                             |  |  | 9799-0631-02           | Mutter .....  | Nut .....                  |                     |                    |
|                             | 401             | 2                             |  |  | 1136-0653-01           | Kranz .....   | Ring gear .....            |                     |                    |
|                             | 402             | 1                             |  |  | 1136-0690-01           | Radschutz- links .....                              | Wheel protection- LH ..... |                     |                    |
|                             | 403             | 4                             |  |  | 9650-0012-04           | Seegersicherung .....                               | Circlip .....              |                     |                    |
|                             | 404             | 1                             |  |  | 1136-0685-01           | Ritzel- links .....                                 | Pinion- LH .....           |                     |                    |
|                             | 405             | 2                             |  |  | 1136-0632-01           | Lager .....   | Bearing .....              |                     |                    |
|                             | 406             | 1                             |  |  | 1136-0689-01           | Radschutz- rechts .....                             | Wheel protection- RH ..... |                     |                    |
|                             | 407             | 1                             |  |  | 1136-0713-01           | Hinterradachse .....                                | Rear wheel axle .....      |                     |                    |
|                             | 408             | 1                             |  |  | 1136-0684-01           | Ritzel- rechts .....                                | Pinion- RH .....           |                     |                    |
| X                           | 410             | 1                             |  |  | 1136-1748-01           | Kupplungsdraht .....                                | Clutch cable .....         |                     |                    |
|                             | 411             | 1                             |  |  | 1136-1456-01           | Getriebe Kpl (schw) .....                           | Gearbox assy (black) ..... |                     |                    |
|                             | 412             | 1                             |  |  | 1136-0692-01           | Riemenscheibe .....                                 | Pulley .....               |                     |                    |
|                             | 413             | 1                             |  |  | 1136-0612-01           | Stift .....   | Pin .....                  |                     |                    |
|                             | 414             | 1                             |  |  | 1136-1454-01           | Verstellstange .....                                | Adjustment rod .....       |                     |                    |
| X                           | 415             | 1                             |  |  | 1136-9745-01           | Riemen .....  | Belt .....                 |                     |                    |
|                             | 416             | 2                             |  |  | 1136-0697-01           | Stift .....   | Pin .....                  |                     |                    |
|                             | 417             | 1                             |  |  | 1136-0638-01           | Buchse .....  | Bush .....                 |                     |                    |
|                             | 418             | 1                             |  |  | 1136-0668-01           | Feder .....   | Spring .....               |                     |                    |
|                             | 419             | 1                             |  |  | 1136-0091-01           | Scheibe .....                                       | Washer .....               |                     |                    |
|                             | 420             | 1                             |  |  | 9747-0631-02           | Mutter .....  | Lock nut .....             |                     |                    |
|                             | 421             | 1                             |  |  | 1136-0081-01           | Nabenkapsel .....                                   | Hub cap .....              |                     |                    |