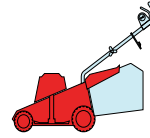
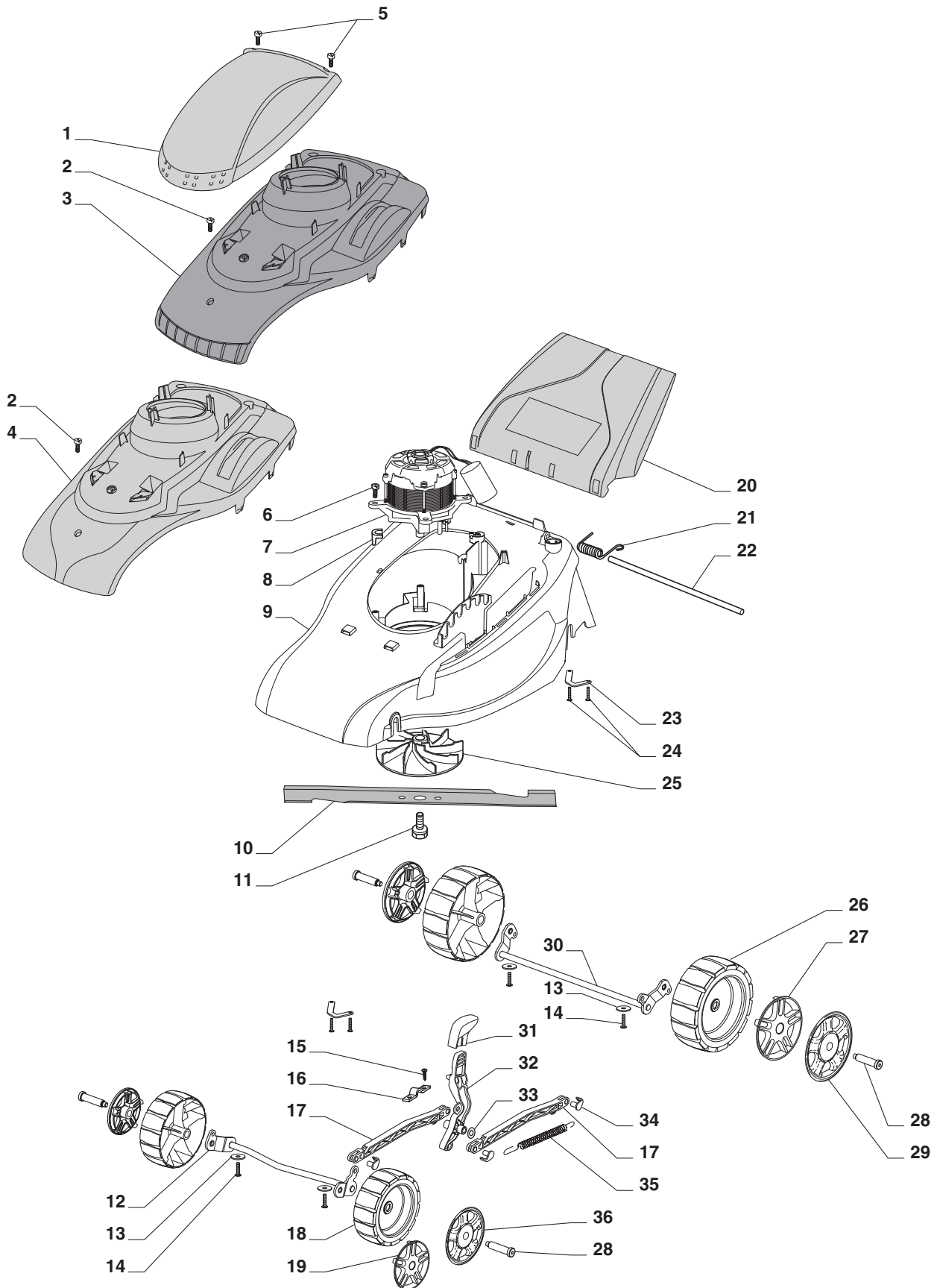


# NCL 390

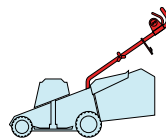


2008
175.0
1 / 2

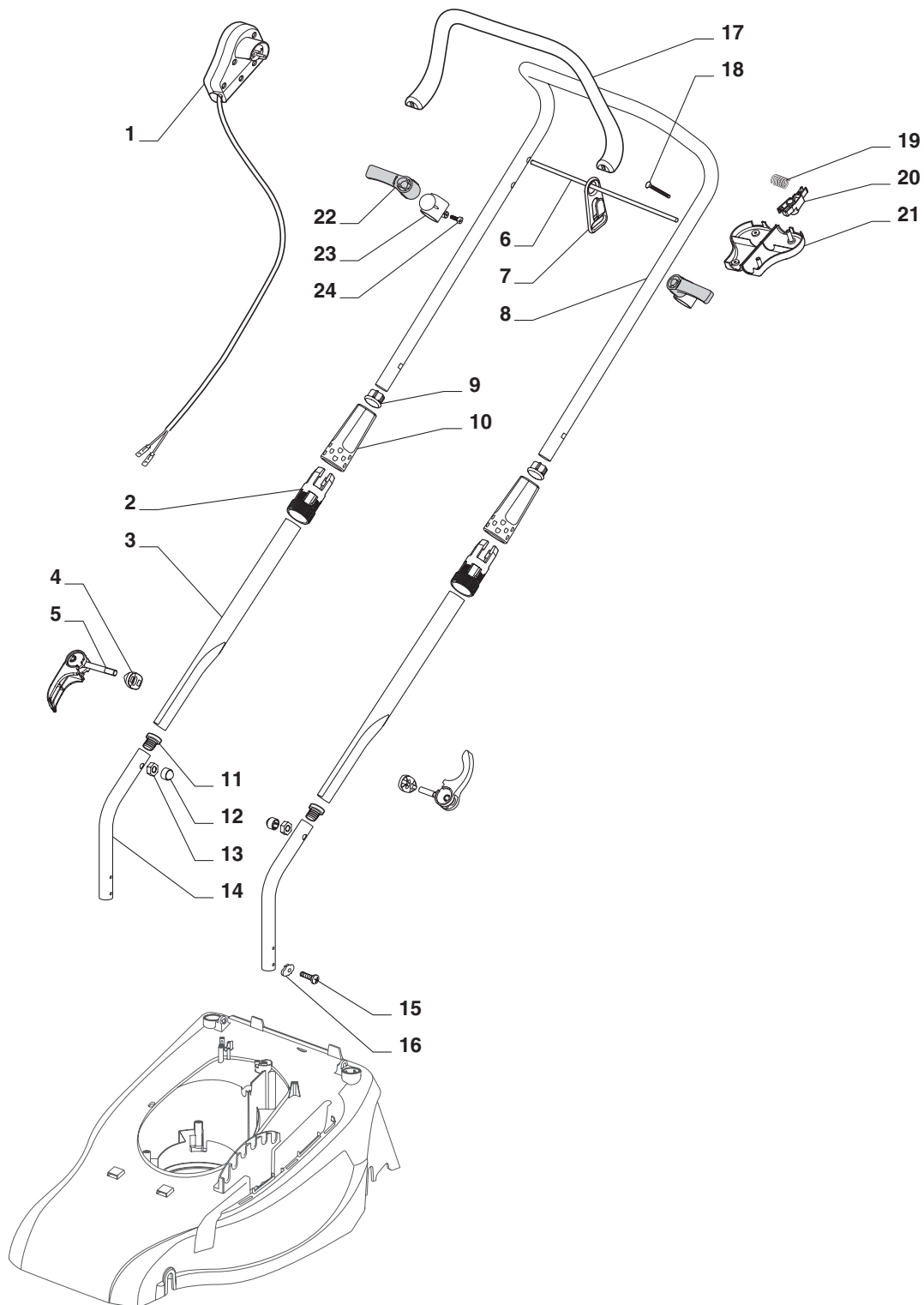


POS.	CODE	Q.TY	DESCRIZIONE	DESCRIPTION	DESCRIPTION	BESCHREIBUNG	REMARKS
1	322055128/0	1	CAPOTTINA ROSSO	COVER RED	CAPOT ROUGE	HAUBE ROT	
-	322055129/0	1	CAPOTTINA GIALLO	COVER YELLOW	CAPOT JAUNE	HAUBE GELB	
2	12728124/0	1	VITE	SCREW	VIS	SCHRAUBE	
3	322785254/0	1	SUPPORTO CAPOTTINA, GRIGIO	GREY SUPPORT, COVER	SUPPORT CAPOT GRIS	HALTER, HAUBE GRAU	
4	322785246/0	1	SUPPORTO CAPOTTINA, GRIGIO	GREY SUPPORT, COVER	SUPPORT CAPOT GRIS	HALTER, HAUBE GRAU	
-	322785247/0	1	SUPPORTO CAPOTTINA, NERO	BLACK SUPPORT, COVER	SUPPORT CAPOT NOIR	HALTER, HAUBE SCHWARZ	
5	12728701/0	2	VITE	SCREW	VIS	SCHRAUBE	
6	12735410/0	4	VITE	SCREW	VIS	SCHRAUBE	
7	118563661/0	1	MOTORE	MOTOR	MOTEUR	MOTOR	LEO - 230-240V (1500W)
-	118563660/0	1	MOTORE	MOTOR	MOTEUR	MOTOR	LEO - 230-240V (1300W)
8	22167700/0	4	DISTANZIALE	SPACER	ENTRETOISE	DISTANZRING	
9	322066721/0	1	CHASSIS ROSSO	DECK RED	CHÂSSIS ROUGE	GEHÄUSE ROT	
9	322066722/0	1	CHASSIS GIALLO	DECK YELLOW	CHÂSSIS JAUNE	GEHÄUSE GELB	
10	81004142/0	1	COLTELLO	BLADE	LAME	MESSER	
11	81004352/0	1	VITE	SCREW	VIS	SCHRAUBE	
12	381002855/0	1	ASSE RUOTE ANTERIORI	AXLE, FRONT WHEELS	AXE ROUES AVANT	ACHSE, VORDERRAD	
13	12523050/0	4	ROSETTA	WASHER	RONDELLE	SCHEIBE	
14	12728705/0	4	VITE	SCREW	VIS	SCHRAUBE	
15	12728701/0	2	VITE	SCREW	VIS	SCHRAUBE	
16	25547049/0	1	PIASTRINA	PLATE	PLAQUETTE	PLÄTTCHEN	
17	322869669/0	2	ASTA COMANDO REGOL. ALTEZZA	TIE ROD	TIRANT	SPANNSTANGE	
18	322686094/0	2	RUOTA Ø 130	WHEEL Ø 130	ROUE Ø 130	RAD Ø 130	
19	322110561/0	2	COPRIMOZZO GRIGIO	HUB CAP GREY	COUVRE-MOYEU GRIS	RADKAPPE GRAU	
20	322600162/0	1	PARASASSI GRIGIO	STONE-GUARD, GREY	PARE-PIERRES, GRIS	PRALLBLECH, GRAU	
21	22450250/0	1	MOLLA	SPRING	RESSORT	FEDER	
22	22512601/0	1	PERNO	PIN	PIVOT	BOLZEN	
23	322545175/0	1	PIASTRINA	PLATE	PLAQUETTE	PLÄTTCHEN	
24	12728701/0	2	VITE	SCREW	VIS	SCHRAUBE	
25	22465602/0	1	MOZZO/GIRANTE	HUB	MOYEU	HALTER	
26	322686095/0	2	RUOTA Ø 160	WHEEL Ø 160	ROUE Ø 160	RAD Ø 160	
27	322110562/0	2	COPRIMOZZO GRIGIO	HUB CAP GREY	COUVRE-MOYEU GRIS	RADKAPPE GRAU	
28	22524337/0	4	PERNO	PIN	PIVOT	BOLZEN	
29	22110421/0	2	COPRIMOZZO GRIGIO	HUB CAP GREY	COUVRE-MOYEU GRIS	RADKAPPE GRAU	
30	381002857/0	1	ASSE RUOTE POSTERIORI	AXLE, REAR WHEELS	AXE ROUES ARRIERE	ACHSE, HINTERRAD	
31	322399827/0	1	MANOPOLINA	KNOB	POIGNÉE	GRIFF	
32	322321528/0	1	LEVA REGOLAZIONE ALTEZZA	LEVER, HEIGHT ADJUSTMENT	LEVIER REGLAGE HAUTEUR	HEBEL, HÖNEVERSTELLUNG	
33	112520033/0	1	ROSETTA	WASHER	RONDELLE	SCHEIBE	
34	22524338/0	4	PERNO	PIN	PIVOT	BOLZEN	
35	122450425/0	2	MOLLA	SPRING	RESSORT	FEDER	
36	22110420/0	2	COPRIMOZZO GRIGIO	HUB CAP GREY	COUVRE-MOYEU GRIS	RADKAPPE GRAU	

# NCL 390

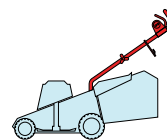


2008
175a.0
1 / 2

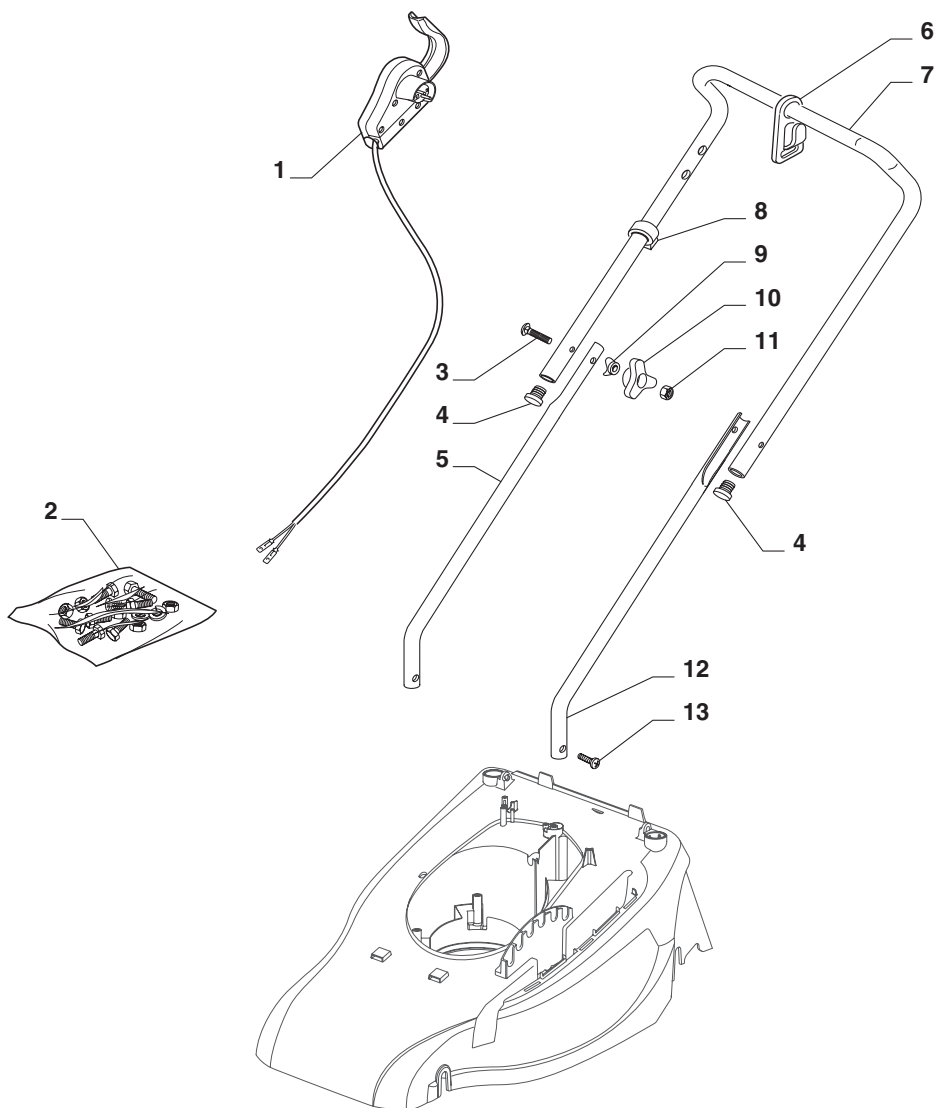


POS.	CODE	Q.TY	DESCRIZIONE	DESCRIPTION	DESCRIPTION	BESCHREIBUNG	REMARKS
1	-	1	SALVAMOTORE	DEAD HAND SWITCH	INT. MAIN MORTE	TOT MANSCHALTER	(SEE ENCLOSURE 3)
2	322245063/0	2	GHIERA INTERNA	RING NUT, INTERNAL			
3	381006679/0	1	MANICO, PARTE INTER-MEDIA	HANDLE, MIDDLE PART	MANCHERON	HOLM	
4	322680014/0	2	ROSETTA	WASHER	RONDELLE	SCHEIBE	
5	381003251/0	2	LEVA BLOCC. MANICO	LEVER, HANDLE BLOCKING			
6	22010250/0	1	ASTA AGGANCIAMENTO FERMACAVO	ROD, FAIRLEAD BEARING	TIGE SUPPORT SERRE-CABLE	STANGE, KABELHALTER	
8	81006941/4	1	MANICO, PARTE SUP	HANDLE, UPPER PART	MANCHERON, PARTIE SUP.	HOLM, OBERTEIL	
9	22820066/1	2	PUNTALE	CAP	BOUCHON	GUMMISTOPFEN	
10	322245062/0	2	GHIERA ESTERNA	RING NUT, EXTERNAL			
11	18566112/0	2	PUNTALE	CAP	BOUCHON	GUMMISTOPFEN	
12	18203854/0	2	CAPPUCCIO	PROTECTION	CAPUCHON	STECKER	
13	12155000/0	2	DADO	NUT	ECROU	MUTTER	
14	381006675/0	1	MANICO, PARTE INF.	HANDLE, LOWER PART	MANCHERON, PARTIE INFERIEURE	HOLM, UNTERTEIL	
15	12731600/1	2	VITE	SCREW	VIS	SCHRAUBE	
16	22545135/0	2	PIASTRINA	PLATE	PLAQUETTE	PLÄTTCHEN	
17	322322880/1	1	LEVA FRENO MOTORE, NERO	LEVER, MOTOR BRAKE	LEVIER FREIN MOTEUR	HEBEL, MOTORBREMSE	
17	322322882/1	1	LEVA FRENO MOTORE, ROSSO	LEVER, MOTOR BRAKE	LEVIER FREIN MOTEUR	HEBEL, MOTORBREMSE	
17	322322883/1	1	LEVA FRENO MOTORE, GIALLO	LEVER, MOTOR BRAKE	LEVIER FREIN MOTEUR	HEBEL, MOTORBREMSE	
18	12728701/0	4	VITE	SCREW	VIS	SCHRAUBE	
19	22450115/0	1	MOLLA	SPRING	RESSORT	FEDER	
20	322230350/1	1	FULCRO	FULCRUM PIN	POINT D'APPUI	GELENKPUNKT	
21	22785144/0	1	SUPPORTO	SUPPORT	SUPPORT	HALTER	
22	322321530/0	2	LEVA AVVOLGICAVO	COILER CABLE, LEVER	LEVIER SUPPORT SERRECABLE	HEBEL, KABELHALTER	
23	322321531/0	2	BASE AVVOLGICAVO	COILER CABLE, BASE	BASE DE SUPPORT SERRECABLE	UNTERSEITE, KABELHALTER	
24	112728691/0	2	VITE	SCREW	VIS	SCHRAUBE	

# NCL 390

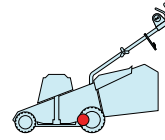


2008
175b.0
1 / 1

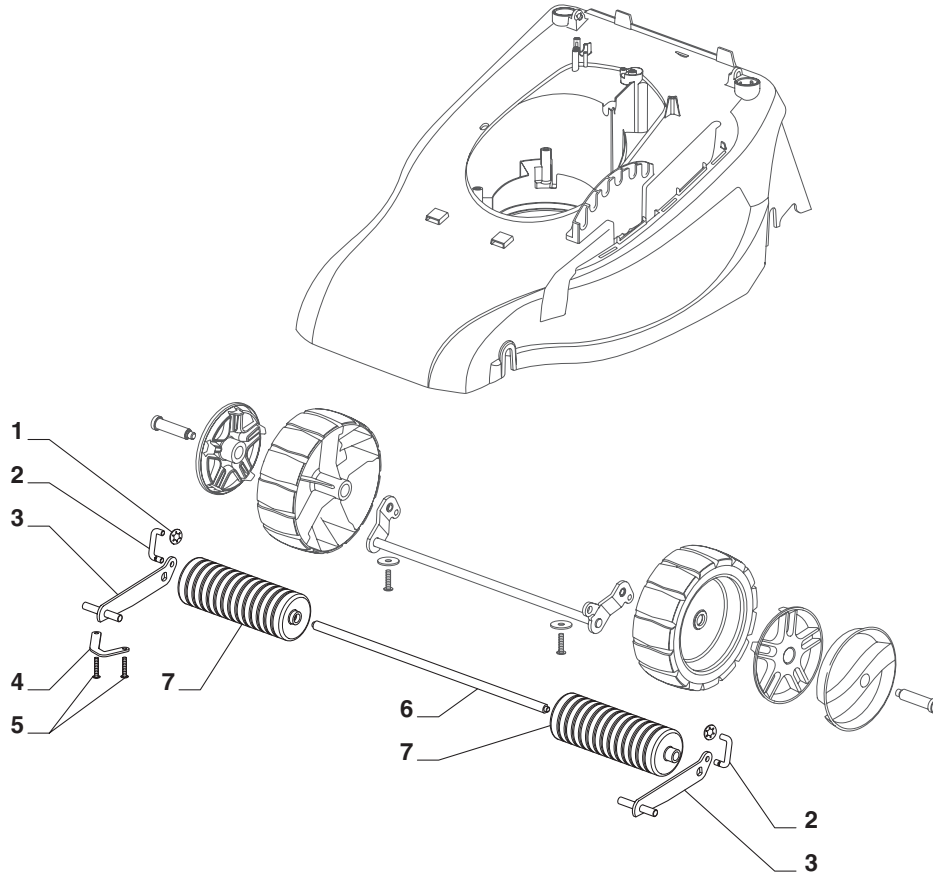


POS.	CODE	Q.TY	DESCRIZIONE	DESCRIPTION	DESCRIPTION	BESCHREIBUNG	REMARKS
1	-	1	SALVAMOTORE	DEAD HAND SWITCH	INT. MAIN MORTE	TOT MANSCHALTER	(SEE ENCLOSURE 3)
2	81008669/0	1	DOTAZIONE VITERIA	OUTFIT, SCREWS	DOTATION VISSERIE	SATZ, SCHRAUBEN	
3	12819120/0	2	VITE	SCREW	VIS	SCHRAUBE	
4	18566112/0	2	PUNTALE	CAP	BOUCHON	GUMMISTOPFEN	
5	81006939/1	1	MANICO, PARTE INF DX	HANDLE, R LOWER	MANCHERON, PARTIE INFERIEURE D	HOLM, RECHTE UNTERTEIL	
6	22195101/4	1	FERMACAVO	FAIRLEAD	FIXATION CABLE	KABELBEFESTIGUNG	
7	81006941/4	1	MANICO, PARTE SUP	HANDLE, UPPER PART	MANCHERON, PARTIE SUP.	HOLM, OBERTEIL	
8	22192000/1	1	FASCETTA	ANCHOR CLAMP	COLLIER ANCRAGE	BOWDENZUGHALTER	
9	22680006/1	2	ROSETTA	WASHER	RONDELLE	SCHEIBE	
10	22399900/0	2	MANOPOLINA	KNOB	POIGNÉE	GRIFF	
11	12293200/0	2	DADO	NUT	ECROU	MUTTER	
12	81006940/1	1	MANICO, PARTE INF SX	HANDLE, L LOWER	MANCHERON, PARTIE INFERIEURE G	HOLM, LINKE UNTERTEIL	
13	12728450/0	2	VITE	SCREW	VIS	SCHRAUBE	

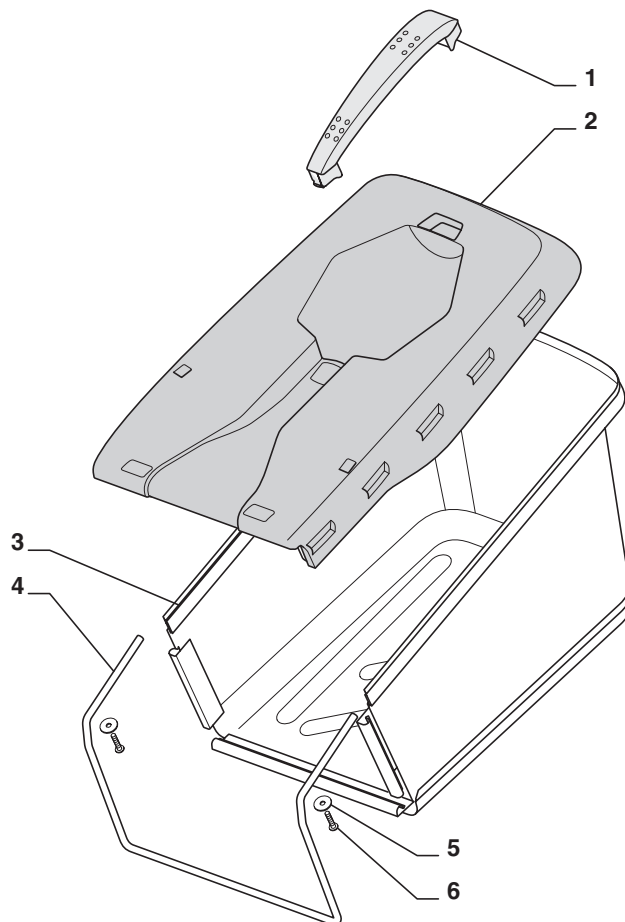
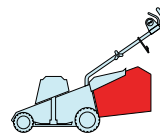
# NCL 390



2008
176.0
1 / 1



POS.	CODE	Q.TY	DESCRIZIONE	DESCRIPTION	DESCRIPTION	BESCHREIBUNG	REMARKS
1	12604896/0	4	FISSATORE A CORONA	CROWN FASTENER	FIXATEUR A COURONNE	KRONESCHEIBE	(SEE ENCLOSURE 3)
2	122519812/0	2	PERNO	PIN	PIVOT	BOLZEN	
3	381000809/0	2	SUPPORTO	SUPPORT	SUPPORT	HALTER	
4	322545175/0	1	PIASTRINA	PLATE	PLAQUETTE	PLÄTTCHEN	
5	12728701/0	2	VITE	SCREW	VIS	SCHRAUBE	
6	122519809/0	1	PERNO ROLLER	PIN, ROLLER	PIVOT, ROLLER	BOLZEN, ROLLER	
7	322670012/0	2	ROLLER	ROLLER	ROLLER	ROLLER	



POS.	CODE	Q.TY	DESCRIZIONE	DESCRIPTION	DESCRIPTION	BESCHREIBUNG	REMARKS
1	322393621/0	1	MANIGLIA, ROSSO	HANDLE, GREY	POIGNEE, GRIS	GRIFF, GRAU	
-	322393622/0	1	MANIGLIA, GIALLO	HANDLE, GREY	POIGNEE, GRIS	GRIFF, GRAU	
2	322486208/0	1	PARTE SUP.SACCO, GRIGIO	GRASSBOX UPPER PART	SAC, PARTIE SUPERIEURE	KORB OBERTEIL	
3	181002273/0	1	SACCO, TELA GRIGIO	BOX, FABRIC	SAC, TOILE	SACK, TUCK	
4	122608540/0	1	RINFORZO INF	STIFFENING LOWER	RÉNFORCEMENT INF	VERSTÄRKUNG	
5	12523030/0	2	ROSETTA	WASHER	RONDELLE	SCHEIBE	
6	12728705/0	2	VITE	SCREW	VIS	SCHRAUBE	