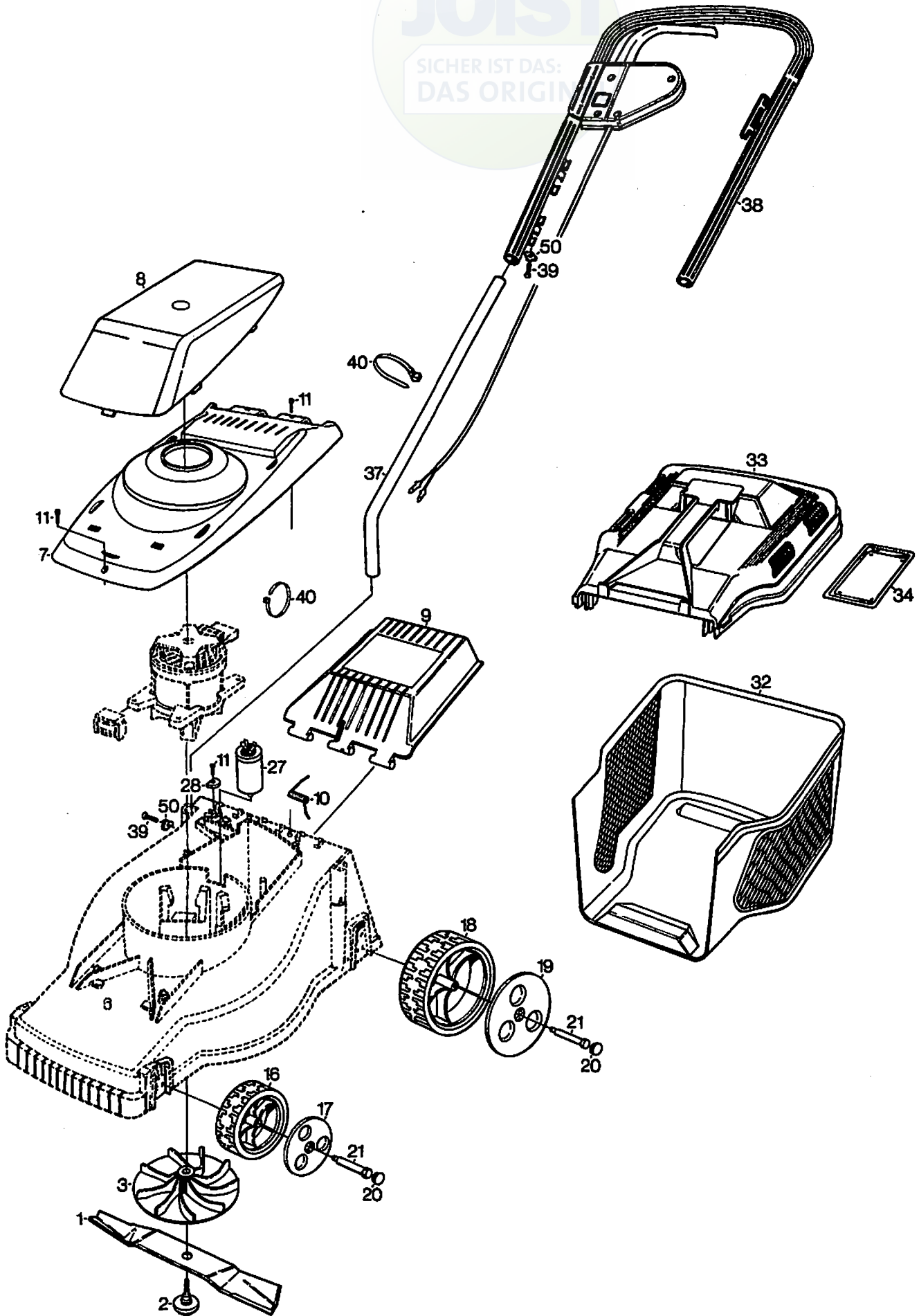


JOIST

SICHER IST DAS:
DAS ORIGINAL



B001

| Ausgabe Issue 1999-1 | | Bild Nr. Picture No B001 | | SWING 33 | | SWING 33 | | Seite Page 6 | |
|----------------------------|-----------------|--------------------------------|--|------------------------|----------------------------|----------------------------|-------------|--------------------|--|
| Pos. Fig. | Anzahl/Quantity | | | Artikel Nr. Part No | Bezeichnung | Description | Satz Kit | Anmerkung Notes | |
| | 4610 4611 | 4613 | | | | | | | |
| 1 | 1 | 1 | | 1111-9082-01 | Messer..... | Blade..... | | | |
| 2 | 1 | 1 | | 1111-2787-02 | Messerbolzen..... | Blade bolt..... | | | |
| 3 | 1 | 1 | | 1111-3137-01 | Ventilator/Messerhalt..... | Fan/blade holder..... | | | |
| 7 | 1 | 1 | | 1111-2750-02 | Motorendeckel-Untere..... | Low.motor cover-bl..... | | | |
| 8 | 1 | 1 | | 1111-2929-03 | Motorendeckel..... | Motor cover..... | | | |
| 9 | 1 | 1 | | 1111-2761-02 | Klappe-schwarz..... | Flap-black..... | | | |
| 10 | 1 | 1 | | 1111-2789-01 | Feder..... | Spring..... | | | |
| 11 | 4 | 4 | | 9838-9110-12 | Schraube..... | Screw..... | | | |
| 16 | 2 | 2 | | 1111-2762-01 | Rad..... | Wheel..... | | | |
| 17 | 2 | 2 | | 1111-2763-03 | Nabenkapsel-weiß..... | Hub cap-white..... | | | |
| 18 | 2 | 2 | | 1111-3199-01 | Rad..... | Wheel..... | | | |
| 19 | 2 | 2 | | 1111-3200-03 | Nabenkapsel-weiß..... | Hub cap-white..... | | | |
| 20 | 4 | 4 | | 1111-2756-03 | Radzentrum-weiß..... | Wheel cup-white..... | | | |
| 21 | 4 | 4 | | 1111-2788-01 | Ansatzbolzen..... | Shoulder bolt..... | | | |
| 27 | 1 | 1 | | 9400-0264-00 | Kondensator..... | Condensator..... | | | |
| 28 | 1 | 1 | | 1111-2765-00 | Scheibe..... | Washer..... | | | |
| 32 | 1 | 1 | | 1111-2760-02 | Grasbehälter-Untert..... | Lower collector-black..... | | | |
| 33 | 1 | 1 | | 1111-2758-02 | Grasbehälter-Obert..... | Top collector-black..... | | | |
| 34 | 1 | 1 | | 1111-2764-01 | Deckel..... | Cover..... | | | |
| 37 | 2 | 2 | | 1111-2768-02 | Führungsholm-Untert..... | Lower handlebar..... | | | |
| 38 | 1 | | | 1111-2904-02 | Führungsholm-Obert..... | Upper handle w.switch..... | | | |
| 38 | | 1 | | 1111-2936-01 | Führungsholm-Obert..... | Upper handle w.switch..... | | | |
| 39 | 4 | 4 | | 9846-7916-16 | Schraube..... | Screw..... | | | |
| 40 | 2 | 2 | | 9579-0008-00 | Kabelhalter..... | Cable holder..... | | | |
| 50 | 4 | 4 | | 1111-3136-02 | Scheibe..... | Washer..... | | Die Schweiz | |

X