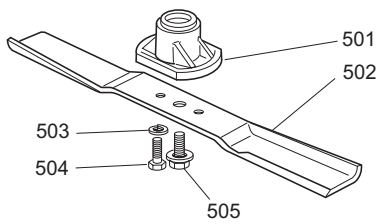
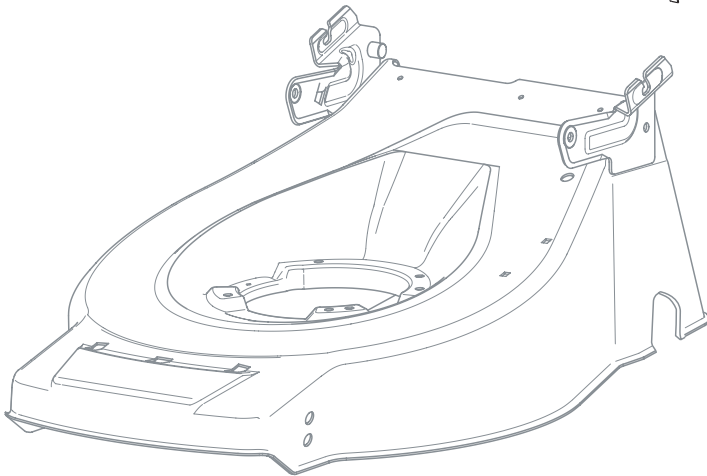
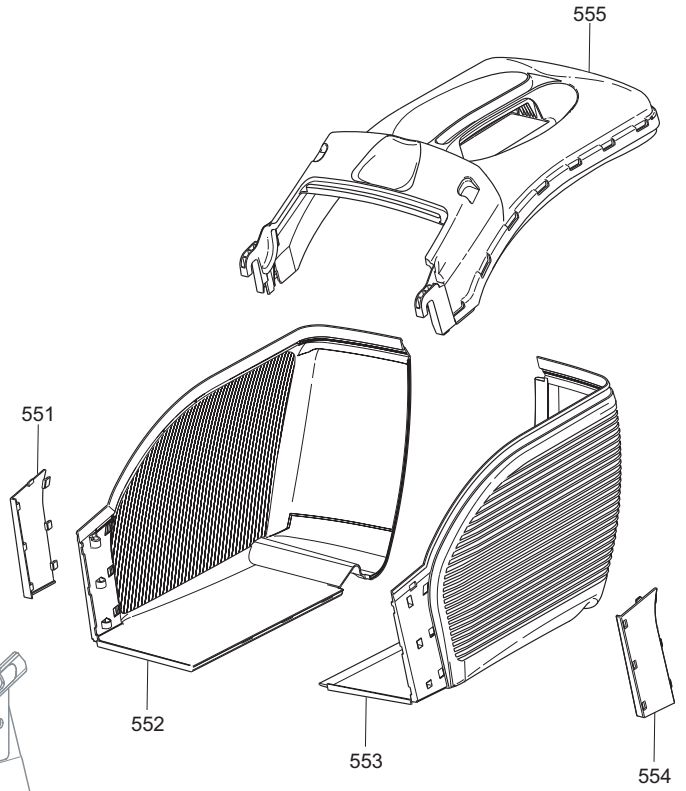
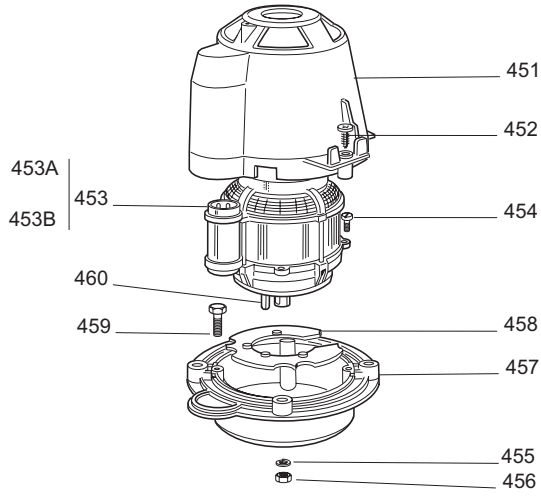
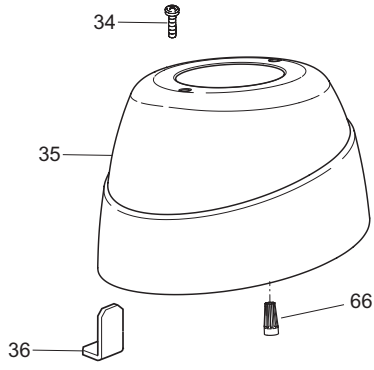


B108



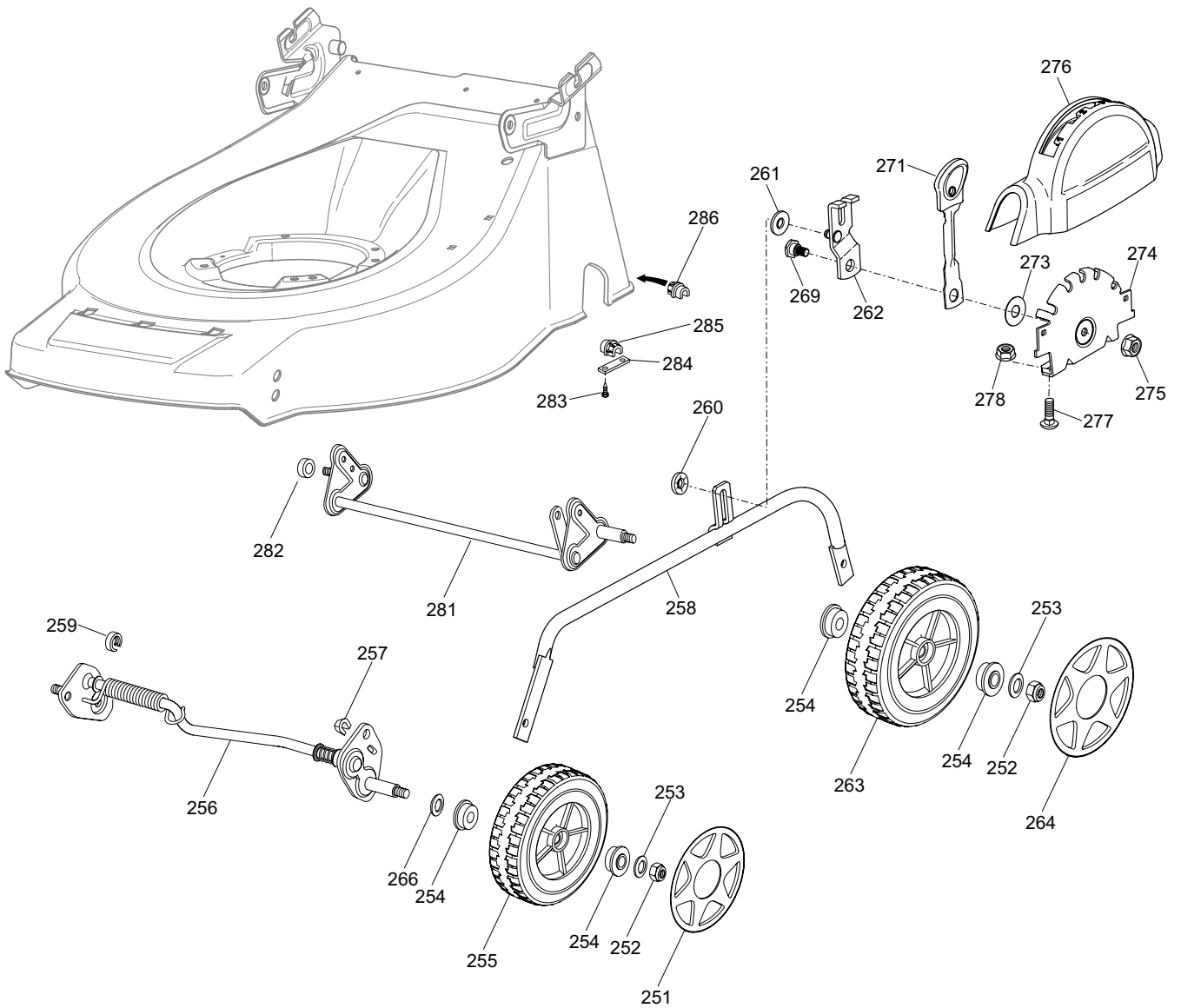
| Ausgabe Issue 2005- 1 | | Bild Nr Picture No B108 | | VARIOLUX 48 EC CHASSIE HOLM | | VARIOLUX 48 EC CHASSIS HANDLE | | Seite Page 34 | |
|-----------------------------|-----------------|-------------------------------|--|-----------------------------------|----------------------------|-------------------------------------|-------------|---------------------|--|
| Pos. Fig. | Anzahl/Quantity | | | Artikel Nr. Part No | Bezeichnung | Description | Satz Kit | Anmerkung Notes | |
| | | | | | | | | | |
| X | 1 | 1 | | 1136-1753-01 | Gehäuse..... | Deck..... | | | |
| | 2 | 3 | | 1136-0615-01 | Schraube | Screw..... | | | |
| | 3 | 1 | | 1136-1329-01 | Schutz | Protection | | | |
| | 6 | 1 | | 1136-0665-01 | Gummiensatz..... | Rubber insert | | | |
| X | 7 | 1 | | 1136-1694-01 | Haube | Cover | | | |
| | 8 | 2 | | 1117-3226-01 | Schraube | Screw..... | | | |
| | 9 | 3 | | 1136-1458-01 | Schraube | Screw..... | | | |
| | 10 | 2 | | 9675-0012-02 | Verriegelungsscheibe | Locking washer..... | | | |
| X | 11 | 1 | | 1136-1731-01 | Stange | Rod | | | |
| X | 12 | 1 | | 1136-1723-01 | Feder- links | Spring- LH..... | | | |
| X | 13 | 1 | | 1136-1724-01 | Feder- rechts..... | Spring- RH | | | |
| X | 14 | 1 | | 1136-1698-01 | Halter..... | Support..... | | | |
| X | 15 | 1 | | 1136-1736-01 | Klappe | Rear flap | | | |
| | 16 | 2 | | 1136-0061-01 | Propfen..... | Cap..... | | | |
| X | 17 | 1 | | 1136-1761-01 | Holm- Unterteil | Handle- lower | | | |
| X | 18 | 2 | | 1136-1765-01 | Holmrohr | Handle tube | | | |
| X | 19 | 1 | | 1136-1764-01 | Holm- Oberteil | Handle- upper..... | | | |
| X | 20 | 1 | | 1136-1716-01 | Handgriff | Handgrip | | | |
| X | 21 | 2 | | 1136-1733-01 | Bolzen..... | Pin | | | |
| | 22 | 2 | | 9675-0012-02 | Verriegelungsscheibe | Locking washer..... | | | |
| X | 23 | 4 | | 1136-1755-01 | Hebel | Handle lever | | | |
| X | 24 | 4 | | 1136-1738-01 | Scheibe..... | Washer..... | | | |
| | 25 | 4 | | 1136-0309-01 | Scheibe..... | Washer..... | | | |
| X | 26 | 4 | | 1136-1721-01 | Schloßrad | Locking knob | | | |
| | 27 | 4 | | 9799-0831-02 | Mutter | Nut | | | |
| X | 28 | 2 | | 1136-1745-01 | Gummistopfen..... | Cap..... | | | |
| X | 29 | 2 | | 1136-1709-01 | Ringmutter | Ring nut | | | |
| X | 30 | 2 | | 1136-1708-01 | Griff | Knob | | | |
| X | 31 | 2 | | 1136-1681-01 | Schraube | Screw..... | | | |
| X | 32 | 1 | | 1136-1720-01 | Griff- untere | Knob- lower..... | | | |
| X | 33 | 1 | | 1136-1719-01 | Griff- obere | Knob- upper | | | |
| | 37 | 2 | | 9836-9225-12 | Schraube | Screw..... | | | |
| X | 38 | 1 | | 1136-1769-01 | Schalter | Dead hand switch..... | | | |
| X | 38 | 1 | | 1136-1770-01 | Schalterq | Dead hand switch..... | | die Schweiz | |
| X | 39 | 1 | | 1136-1714-01 | Gummistopfen..... | Cap..... | | | |
| | 40 | 1 | | 1136-0662-01 | Kabelbefestigung | Fairlead | | | |
| | 41 | 3 | | 1136-0660-01 | Bowdenzughalter | Anchor clamp..... | | | |
| | 51 | 4 | | 9836-9225-12 | Schraube | Screw..... | | | |
| X | 58 | 3 | | 1136-1692-01 | Deckel..... | Cap..... | | | |
| X | 64 | 1 | | 1136-1713-01 | Schutz | Protection | | | |
| X | 65 | 1 | | 1136-1711-01 | Schutz | Protection | | | |
| | 67 | 1 | | 1136-0661-01 | Kabelbefestigung | Fairlead | | | |
| | 231 | 1 | | 1136-1338-01 | Deflektor..... | Deflector | | | |



B110



| Ausgabe Issue 2005- 1 | | Bild Nr Picture No B110 | | VARIOLUX 48 EC MESSER GRASFANGKORB | | VARIOLUX 48 EC BLADE GRASS COLLECTOR | | Seite Page 36 | |
|-----------------------------|-----------------|-------------------------------|--|--|------------------------|--|--------------------------|---------------------|--------------------|
| Pos. Fig. | Anzahl/Quantity | | | | Artikel Nr. Part No | Bezeichnung | Description | Satz Kit | Anmerkung Notes |
| | | | | | | | | | |
| X | 34 | 2 | | | 1136-1683-01 | Schraube | Screw | | |
| X | 35 | 1 | | | 1136-1691-01 | Haube | Cover | | |
| X | 36 | 2 | | | 1136-1735-01 | Platte | Plate | | |
| X | 66 | 2 | | | 1136-1704-01 | Distanz..... | Spacer | | |
| X | 451 | 1 | | | 1136-1741-01 | Haubenhalter | Cover support | | |
| X | 452 | 4 | | | 1136-1682-01 | Schraube | Screw | | |
| X | 453 | 1 | | | 1136-1687-01 | El. Motor | El. motor | | Inkl. 453A - 453B |
| X | 453 A | 1 | | | 1136-1689-01 | • Lüfter | • Fan | | |
| | 453 B | 1 | | | 1136-0626-01 | • Kondensator | • Condensor | | 16 µF |
| | 454 | 4 | | | 9836-9635-12 | Schraube | Screw | | |
| | 455 | 4 | | | 9683-0030-02 | Scheibe..... | Lock washer..... | | |
| | 456 | 4 | | | 9799-0831-02 | Mutter | Nut | | |
| X | 457 | 1 | | | 1136-1707-01 | Flansch | Flange | | |
| X | 458 | 1 | | | 1136-1739-01 | Lüftungsschirm | Ventilation screen..... | | |
| | 459 | 4 | | | 1136-0617-01 | Schraube | Screw | | |
| X | 460 | 1 | | | 1136-1677-01 | Keil | Key | | |
| X | 501 | 1 | | | 1136-1725-01 | Messerhalter..... | Hub | | |
| X | 502 | 1 | | | 1111-9741-01 | Messer..... | Blade | | |
| | 503 | 2 | | | 9683-0030-02 | Scheibe..... | Lock washer..... | | |
| | 504 | 2 | | | 9997-0820-16 | Schraube | Screw | | |
| | 505 | 1 | | | 1136-0752-01 | Messerbolzen | Blade bolt | | |
| X | 551 | 1 | | | 1136-1729-01 | Profil- rechts | Profile- RH | | |
| X | 552 | 1 | | | 1136-1727-01 | Graskorb- rechts | Grassbox lower- RH | | |
| X | 553 | 1 | | | 1136-1728-01 | Graskorb- links | Grassbox lower- LH..... | | |
| X | 554 | 1 | | | 1136-1730-01 | Profil- links | Profile- LH | | |
| X | 555 | 1 | | | 1136-1726-01 | Graskorb- Oberteil | Grassbox- upper..... | | |





| Ausgabe Issue 2005- 1 | | Bild Nr Picture No B107 | | VARIOLUX 48 EC RADAUFHÄNGUNG | | VARIOLUX 48 EC WHEEL SUSPENSION | | Seite Page 38 | |
|-----------------------------|-----------------|-------------------------------|--|---------------------------------|------------------------|------------------------------------|----------------------------|---------------------|--------------------|
| Pos. Fig. | Anzahl/Quantity | | | | Artikel Nr. Part No | Bezeichnung | Description | Satz Kit | Anmerkung Notes |
| | | | | | | | | | |
| X | 251 | 2 | | | 1136-1701-01 | Radkappe- grau | Hub cap- grey | | |
| | 252 | 4 | | | 9747-0831-02 | Mutter | Lock nut | | |
| | 253 | 4 | | | 9699-0028-02 | Scheibe | Flat washer | | |
| | 254 | 8 | | | 1136-0655-01 | Lager | Bearing | | |
| | 255 | 2 | | | 1136-1520-01 | Rad | Wheel | | |
| | 256 | 1 | | | 1136-1357-01 | Radachse- vorne | Wheel axle- front | | |
| | 257 | 2 | | | 1136-0009-01 | Schließplatte | Lock plate | | |
| X | 258 | 1 | | | 1136-1759-01 | Höhenverstellstange | Height adjust rod | | |
| | 259 | 1 | | | 1136-0658-01 | Distanzring | Spacer | | |
| | 260 | 1 | | | 9675-0009-02 | Verriegelungsscheibe | Starlock | | |
| | 261 | 1 | | | 1136-0006-01 | Federscheibe | Elastic washer | | |
| X | 262 | 1 | | | 1136-1757-01 | Halter | Attachment | | |
| | 263 | 2 | | | 1136-0772-01 | Rad | Wheel | | |
| X | 264 | 2 | | | 1136-1702-01 | Radkappe- grau | Hub cap- grey | | |
| | 266 | 4 | | | 1136-0609-01 | Elastische Scheibe | Elastic washer | | |
| X | 269 | 1 | | | 1136-1732-01 | Schulter schraube | Shoulder bolt | | |
| X | 271 | 1 | | | 1136-1756-01 | Höhenverstellhebel | Height adjust lever | | |
| | 273 | 1 | | | 1136-0089-01 | Scheibe | Washer | | |
| X | 274 | 1 | | | 1136-1740-01 | Sektor | Height adjust sector | | |
| | 275 | 1 | | | 9747-0831-02 | Mutter | Lock nut | | |
| X | 276 | 1 | | | 1136-1693-01 | Deckel | Cover | | |
| | 277 | 2 | | | 9898-0616-16 | Schraube | Screw | | |
| | 278 | 2 | | | 9799-0631-02 | Mutter | Nut | | |
| | 281 | 1 | | | 1136-0729-01 | Hinterradachse | Rear wheel axle | | |
| | 282 | 1 | | | 1136-0657-01 | Distanzring | Spacer | | |
| | 283 | 4 | | | 9847-8119-16 | Schraube | Screw | | |
| | 284 | 2 | | | 1136-0681-01 | Platte | Plate | | |
| | 285 | 1 | | | 1136-0636-01 | Buchse- links | Bush- LH | | |
| | 286 | 1 | | | 1136-0635-01 | Buchse- rechts | Bush- RH | | |