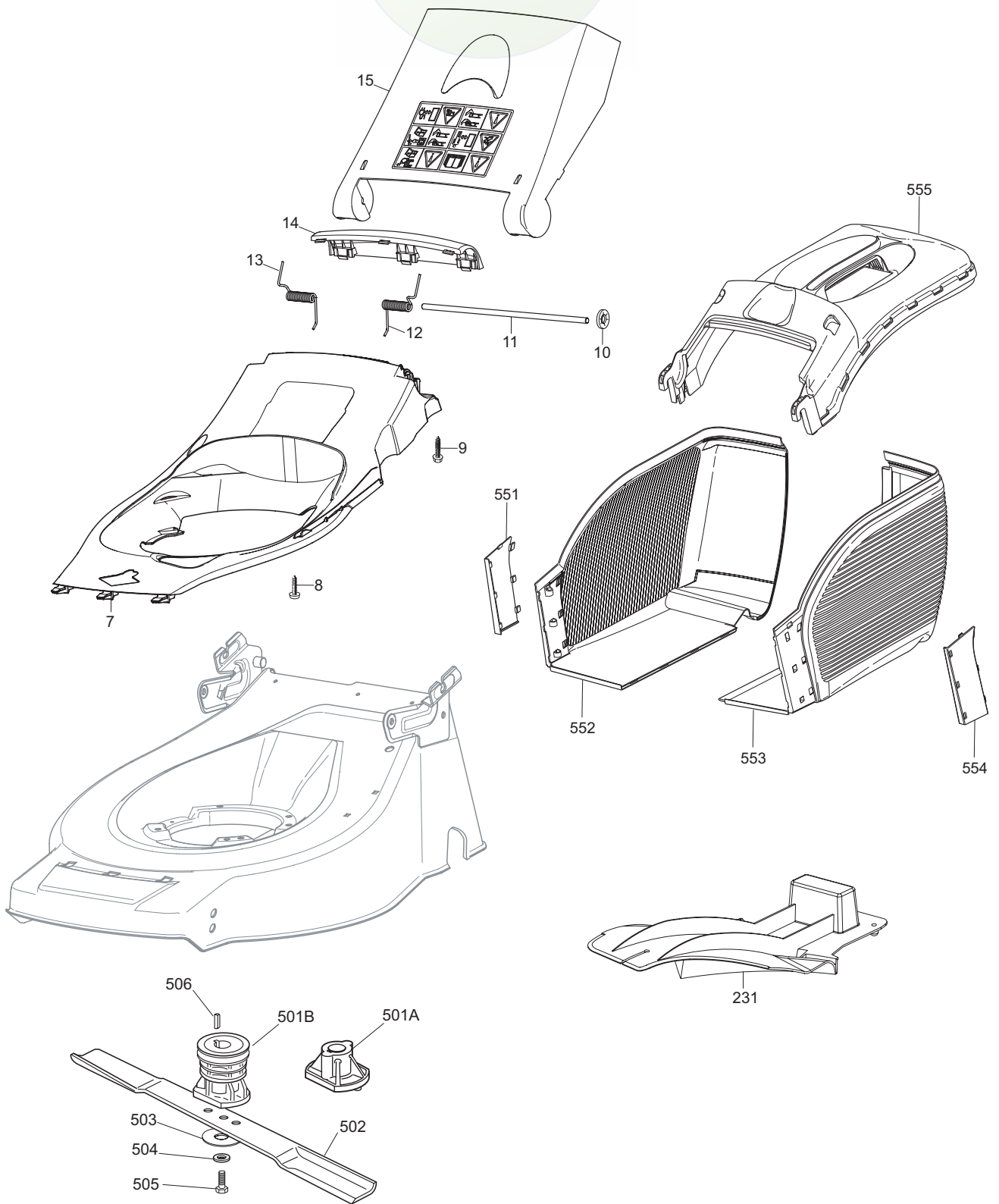


B109

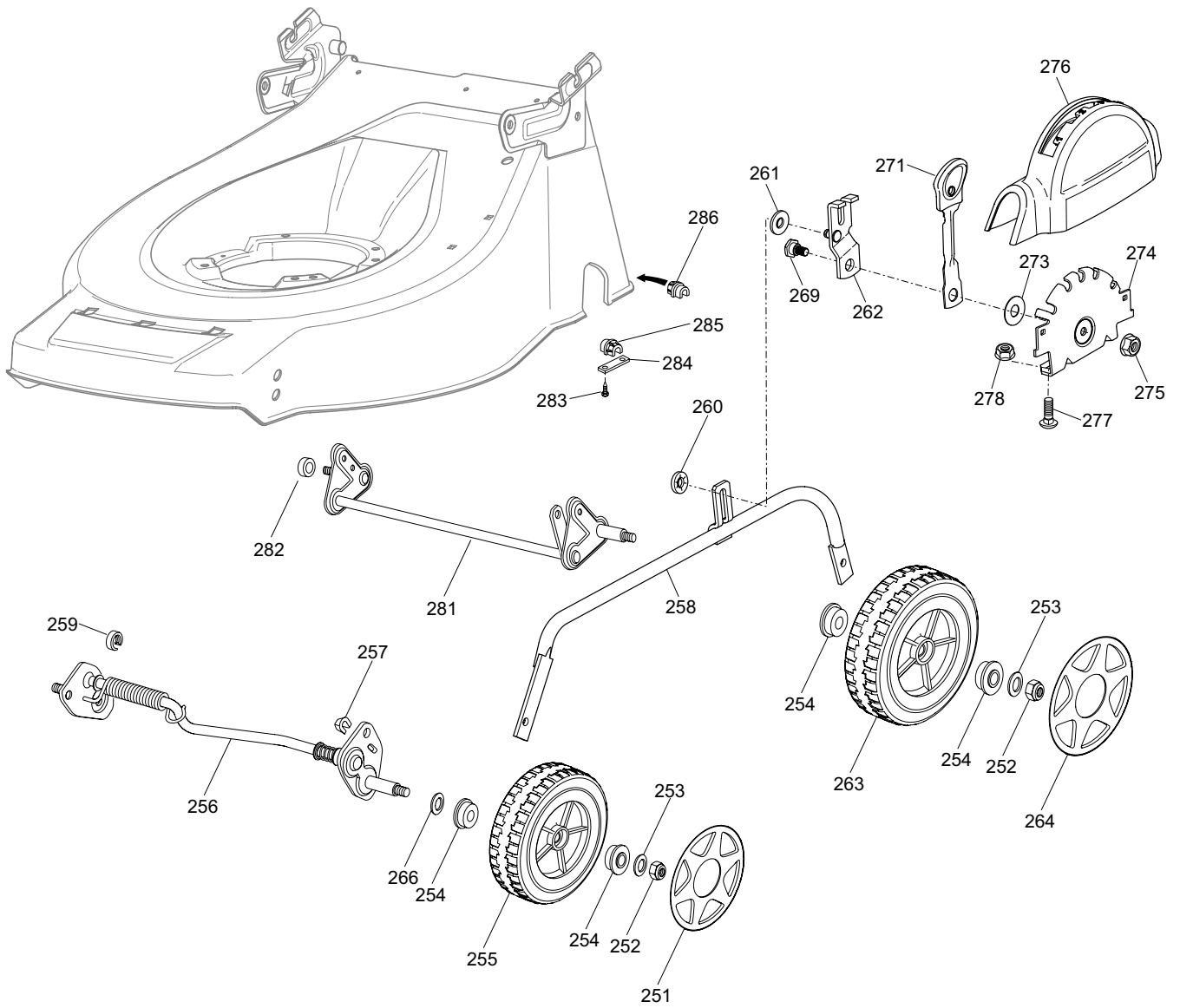


Ausgabe Issue 2005- 1		Bild Nr Picture No B109		VARIOLUX 53 BC H- 53 BCA H CHASSIE HOLM	VARIOLUX 53 BC H- 53 BCA H CHASSIS HANDLE	Seite Page 54		
Pos. Fig.	Anzahl/Quantity			Artikel Nr. Part No	Bezeichnung	Description	Satz Kit	Anmerkung Notes
	53 BCH	53 BCAH						
X	1	1	1	1136-1754-01	Gehäuse.....	Deck.....		
	2	3	3	1136-0615-01	Schraube .....	Screw.....		
	3	1	1	1136-0645-01	Schutz .....	Protection .....		
	4	4	4	9847-8119-16	Schraube .....	Screw.....		
	5		2	1136-0682-01	Platte .....	Plate.....		
	6	1	1	1136-0665-01	Gummieinsatz.....	Rubber insert .....		
	16	2	2	1136-0061-01	Propfen.....	Cap.....		
X	17	1	1	1136-1761-01	Holm- Unterteil .....	Handle- lower .....		
X	18	1	1	1136-1765-01	Holmrohr .....	Handle tube .....		
X	19	1	1	1136-1763-01	Holm- Oberteil .....	Handle- upper.....		
X	20	1	1	1136-1716-01	Handgriff .....	Handgrip .....		
X	21	2	2	1136-1733-01	Bolzen.....	Pin.....		
	22	2	2	9675-0012-02	Verriegelungsscheibe .....	Locking washer .....		
X	23	4	4	1136-1755-01	Hebel .....	Handle lever .....		
X	24	4	4	1136-1738-01	Scheibe.....	Washer.....		
	25	4	4	1136-0309-01	Scheibe.....	Washer.....		
X	26	4	4	1136-1721-01	Schloßrad .....	Locking knob .....		
	27	4	4	9799-0831-02	Mutter .....	Nut.....		
X	28	2	2	1136-1746-01	Gummistopfen.....	Cap.....		
X	29	2	2	1136-1709-01	Ringmutter .....	Ring nut .....		
X	30	2	2	1136-1708-01	Griff .....	Knob .....		
X	31	2	2	1136-1681-01	Schraube .....	Screw.....		
X	32	1	1	1136-1720-01	Griff- untere .....	Knob- lower.....		
X	33	1	1	1136-1719-01	Griff- obere .....	Knob- upper .....		
X	34	1	1	1136-1762-01	Holmrohr .....	Handle tube .....		
	35	2	2	9997-0835-16	Schraube .....	Screw.....		L = 35 mm
	36	2	2	9739-0831-22	Mutter .....	Nut.....		
	37	1	1	9997-0835-16	Schraube .....	Screw.....		L = 35 mm
	38	1	1	9699-0028-02	Scheibe.....	Flat washer.....		
	39	1	1	9747-0831-02	Mutter.....	Lock nut.....		
X	40	1	1	1136-1722-01	Seilführer .....	Guide spring .....		
X	41	1	1	1136-1751-01	Motorbremsdraht .....	Engine brake cable .....		
	42	1	1	1136-1343-01	Seilöse .....	Rope guide.....		
	43	1	1	9747-0531-02	Mutter .....	Nut.....		
	44	1	1	1136-0765-01	Gasdraht.....	Throttle cable .....		
X	45	1	1	1136-1679-01	Scheibe.....	Washer.....		
X	46	1	1	1136-1680-01	Schraube .....	Screw.....		
X	47	1	1	1136-1747-01	Deckel.....	Cap.....		
	51	6	6	9836-9225-12	Schraube .....	Screw.....		
X	52	1	1	1136-1710-01	Schutz .....	Protection .....		
X	53	1	1	1136-1743-01	Stütz .....	Support.....		
X	54	1	2	1136-1744-01	Stütz .....	Support.....		
	55	2	4	9836-9116-12	Schraube .....	Screw.....		
X	56	1	1	1136-1717-01	Regulierbügel .....	Control lever .....		
X	57	1	1	1136-1712-01	Schutz .....	Protection .....		
X	58	2	2	1136-1692-01	Deckel.....	Cap.....		
X	59	1	1	1136-1734-01	Deckel.....	Cover plate.....		
X	60		1	1136-1718-01	Regulierbügel .....	Control lever .....		
X	62	1	1	1136-1766-01	Gashebel.....	Throttle lever.....		
X	63	1	1	1136-1742-01	Stütz .....	Support.....		
	64	1	1	9997-0625-16	Schraube .....	Screw.....		
	65	1	1	1136-0608-01	Scheibe.....	Washer.....		
	66	2	2	9699-0060-02	Scheibe.....	Flat washer.....		
	67	1	1	9747-0631-02	Mutter .....	Lock nut.....		
X	103	1	1	1136-1713-01	Schutz .....	Protection .....		
X	104	1	1	1136-1711-01	Schutz .....	Protection .....		
X	105	2	2	1136-1692-01	Deckel.....	Cap.....		
	106	4	4	9836-9225-12	Schraube .....	Screw.....		
X	111	1	1	1136-1768-01	Schraubensatz.....	Screw set .....		





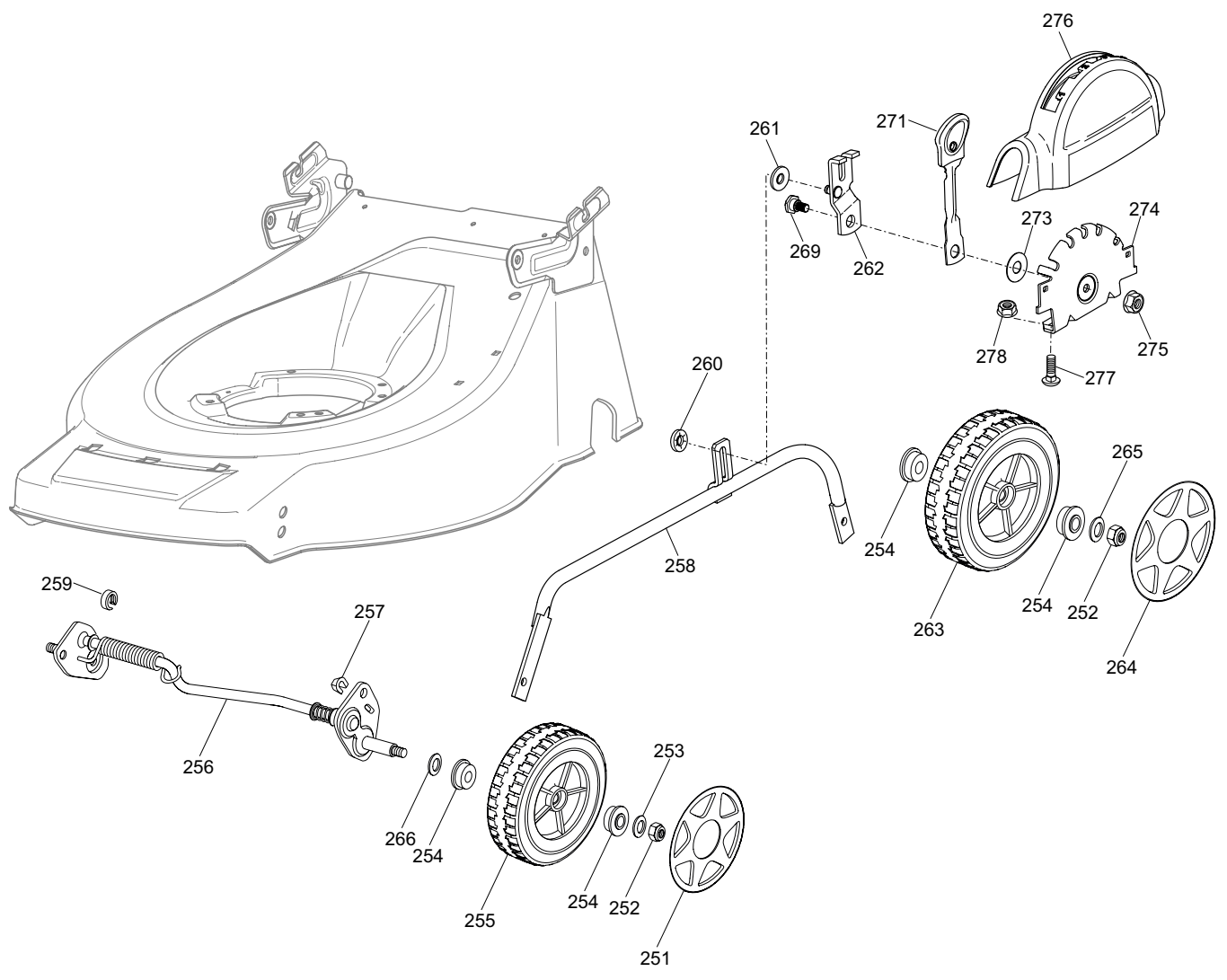
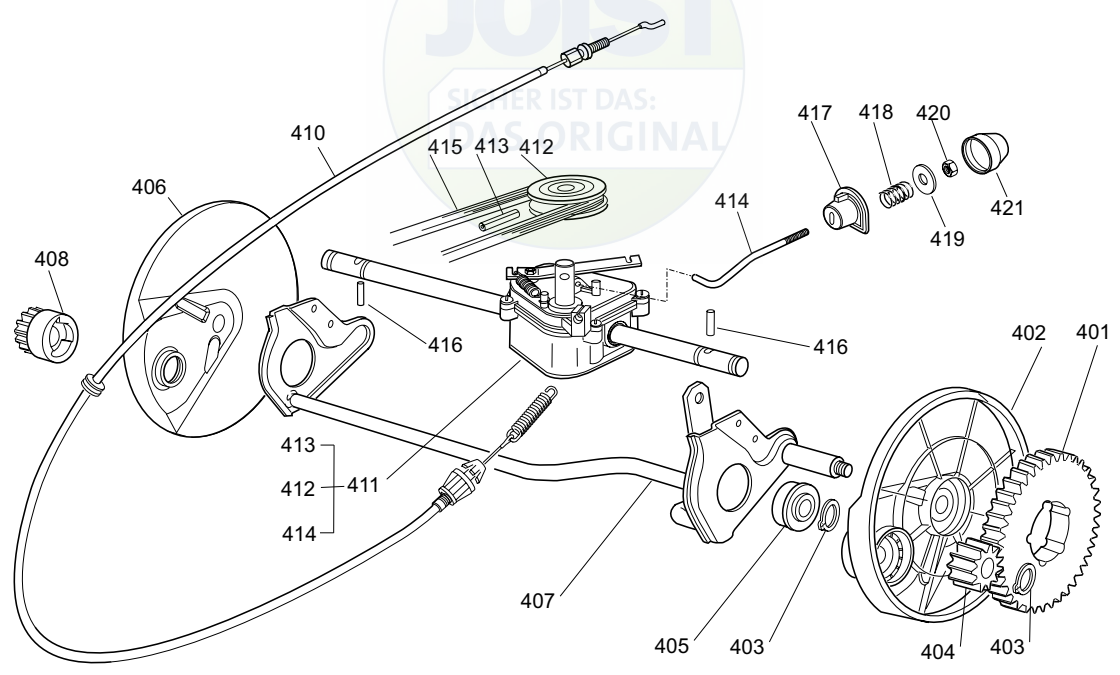
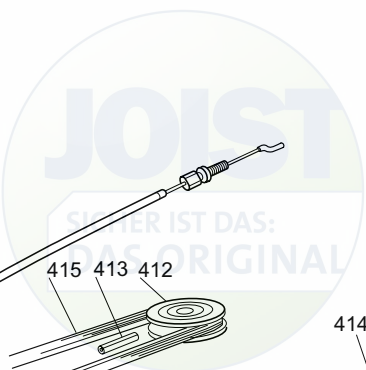
Ausgabe Issue		Bild Nr Picture No		VARIOLUX 53 BC H- 53 BCA H MESSER GRASFANGKORB	VARIOLUX 53 BC H- 53 BCA H BLADE GRASS COLLECTOR	Seite Page		
2005- 1		B111				56		
Pos. Fig.	Anzahl/Quantity			Artikel Nr. Part No	Bezeichnung	Description	Satz Kit	Anmerkung Notes
	53 BCH	53 BCAH						
X	7	1	1	1136-1696-01	Haube .....	Cover .....		
	8	2	2	1117-3226-01	Schraube .....	Screw .....		
	9	3	3	1136-1458-01	Schraube .....	Screw .....		
	10	2	2	9675-0012-02	Verriegelungsscheibe .....	Locking washer .....		
X	11	1	1	1136-1731-01	Stange .....	Rod .....		
X	12	1	1	1136-1723-01	Feder- links .....	Spring- LH .....		
X	13	1	1	1136-1724-01	Feder- rechts .....	Spring- RH .....		
X	14	1	1	1136-1698-01	Halter .....	Support .....		
X	15	1	1	1136-1736-01	Klappe .....	Rear flap .....		
	231	1	1	1136-0656-01	Deflektor .....	Deflector .....		
X	501 A	1		1111-9743-01	Nabe .....	Hub .....		
X	501 B		1	1111-9744-01	Nabe m. Scheibe .....	Hub w. pulley .....		
	502	1	1	1111-9726-01	Messer .....	Blade .....		
	503	1	1	1136-0083-01	Federscheibe .....	Elastic washer .....		
	504	1	1	1136-0015-01	Scheibe .....	Washer .....		
	505	1	1	9987-5251-12	Schraube .....	Screw .....		
	506	1	1	9600-0014-00	Keil .....	Key .....		
X	551	1	1	1136-1729-01	Profil- rechts .....	Profile- RH .....		
X	552	1	1	1136-1727-01	Graskorb- rechts .....	Grassbox lower- RH .....		
X	553	1	1	1136-1728-01	Graskorb- links .....	Grassbox lower- LH .....		
X	554	1	1	1136-1730-01	Profil- links .....	Profile- LH .....		
X	555	1	1	1136-1726-01	Graskorb- Oberteil .....	Grassbox- upper .....		



B107



Ausgabe Issue 2005- 1		Bild Nr Picture No B107		VARIOLUX 53 BC H RADAUFHÄNGUNG		VARIOLUX 53 BC H WHEEL SUSPENSION		Seite Page 58	
Pos. Fig.	Anzahl/Quantity			Artikel Nr. Part No	Bezeichnung	Description	Satz Kit	Anmerkung Notes	
X	251	2		1136-1701-01	Radkappe- grau .....	Hub cap- grey .....			
	252	4		9747-0831-02	Mutter .....	Lock nut .....			
	253	4		9699-0028-02	Scheibe .....	Flat washer .....			
	254	8		1136-0655-01	Lager .....	Bearing .....			
	255	2		1136-1520-01	Rad .....	Wheel .....			
	256	1		1136-0712-01	Vorderradachse .....	Front wheel axle .....			
	257	2		1136-0009-01	Schließplatte .....	Lock plate .....			
X	258	1		1136-1758-01	Höhenverstellstange .....	Height adjust rod .....			
	259	1		1136-0658-01	Distanzring .....	Spacer .....			
	260	1		9675-0009-02	Verriegelungsscheibe .....	Starlock .....			
	261	1		1136-0006-01	Federscheibe .....	Elastic washer .....			
X	262	1		1136-1757-01	Halter .....	Attachment .....			
	263	2		1136-0772-01	Rad .....	Wheel .....			
X	264	2		1136-1702-01	Radkappe- grau .....	Hub cap- grey .....			
	266	4		1136-0609-01	Elastische Scheibe .....	Elastic washer .....			
X	269	1		1136-1732-01	Schulter schraube .....	Shoulder bolt .....			
X	271	1		1136-1756-01	Höhenverstellhebel .....	Height adjust lever .....			
	273	1		1136-0089-01	Scheibe .....	Washer .....			
X	274	1		1136-1740-01	Sektor .....	Height adjust sector .....			
	275	1		9747-0831-02	Mutter .....	Lock nut .....			
X	276	1		1136-1693-01	Deckel .....	Cover .....			
	277	2		9898-0616-16	Schraube .....	Screw .....			
	278	2		9799-0631-02	Mutter .....	Nut .....			
	281	1		1136-0729-01	Hinterradachse .....	Rear wheel axle .....			
	282	1		1136-0657-01	Distanzring .....	Spacer .....			
	283	4		9847-8119-16	Schraube .....	Screw .....			
	284	2		1136-0681-01	Platte .....	Plate .....			
	285	1		1136-0636-01	Buchse- links .....	Bush- LH .....			
	286	1		1136-0635-01	Buchse- rechts .....	Bush- RH .....			



B103





Ausgabe Issue 2005- 1		Bild Nr Picture No B103		VARIOLUX 53 BCA H RADAUFHÄNGUNG GETRIEBE		VARIOLUX 53 BCA H WHEEL SUSPENSION TRANSMISSION		Seite Page 60	
Pos. Fig.	Anzahl/Quantity				Artikel Nr. Part No	Bezeichnung	Description	Satz Kit	Anmerkung Notes
X	251	2			1136-1701-01	Radkappe- grau .....	Hub cap- grey .....		
	252	4			9747-0831-02	Mutter .....	Lock nut .....		
	253	2			9699-0028-02	Scheibe .....	Flat washer .....		
	254	8			1136-0655-01	Lager .....	Bearing .....		
	255	2			1136-1520-01	Rad .....	Wheel .....		
	256	1			1136-0712-01	Vorderradachse .....	Front wheel axle .....		
	257	2			1136-0009-01	Schließplatte .....	Lock plate .....		
X	258	1			1136-1758-01	Höhenverstellstange .....	Height adjust rod .....		
	259	1			1136-0658-01	Distanzring .....	Spacer .....		
	260	1			9675-0009-02	Verriegelungsscheibe .....	Starlock .....		
	261	1			1136-0006-01	Federscheibe .....	Elastic washer .....		
X	262	1			1136-1757-01	Halter .....	Attachment .....		
	263	2			1136-0772-01	Rad .....	Wheel .....		
X	264	2			1136-1702-01	Radkappe- grau .....	Hub cap- grey .....		
	265	2			1136-0006-01	Federscheibe .....	Elastic washer .....		
	266	2			1136-0609-01	Elastische Scheibe .....	Elastic washer .....		
X	269	1			1136-1732-01	Schulterschraube .....	Shoulder bolt .....		
X	271	1			1136-1756-01	Höhenverstellhebel .....	Height adjust lever .....		
	273	1			1136-0089-01	Scheibe .....	Washer .....		
X	274	1			1136-1740-01	Sektor .....	Height adjust sector .....		
	275	1			9747-0831-02	Mutter .....	Lock nut .....		
X	276	1			1136-1693-01	Deckel .....	Cover .....		
	277	2			9898-0616-16	Schraube .....	Screw .....		
	278	2			9799-0631-02	Mutter .....	Nut .....		
	401	2			1136-0653-01	Kranz .....	Ring gear .....		
	402	1			1136-0690-01	Radschutz- links .....	Wheel protection- LH .....		
	403	4			9650-0012-04	Seegersicherung .....	Circlip .....		
	404	1			1136-0685-01	Ritzel- links .....	Pinion- LH .....		
	405	2			1136-0632-01	Lager .....	Bearing .....		
	406	1			1136-0689-01	Radschutz- rechts .....	Wheel protection- RH .....		
	407	1			1136-0713-01	Hinterradachse .....	Rear wheel axle .....		
	408	1			1136-0684-01	Ritzel- rechts .....	Pinion- RH .....		
X	410	1			1136-1748-01	Kupplungsdraht .....	Clutch cable .....		
	411	1			1136-1456-01	Getriebe Kpl (schw) .....	Gearbox assy (black) .....		
	412	1			1136-0692-01	Riemenscheibe .....	Pulley .....		
	413	1			1136-0612-01	Stift .....	Pin .....		
	414	1			1136-1454-01	Verstellstange .....	Adjustment rod .....		
X	415	1			1136-9746-01	Riemen .....	Belt .....		
	416	2			1136-0697-01	Stift .....	Pin .....		
	417	1			1136-0638-01	Buchse .....	Bush .....		
	418	1			1136-0668-01	Feder .....	Spring .....		
	419	1			1136-0091-01	Scheibe .....	Washer .....		
	420	1			9747-0631-02	Mutter .....	Lock nut .....		
	421	1			1136-0081-01	Nabenkapsel .....	Hub cap .....		