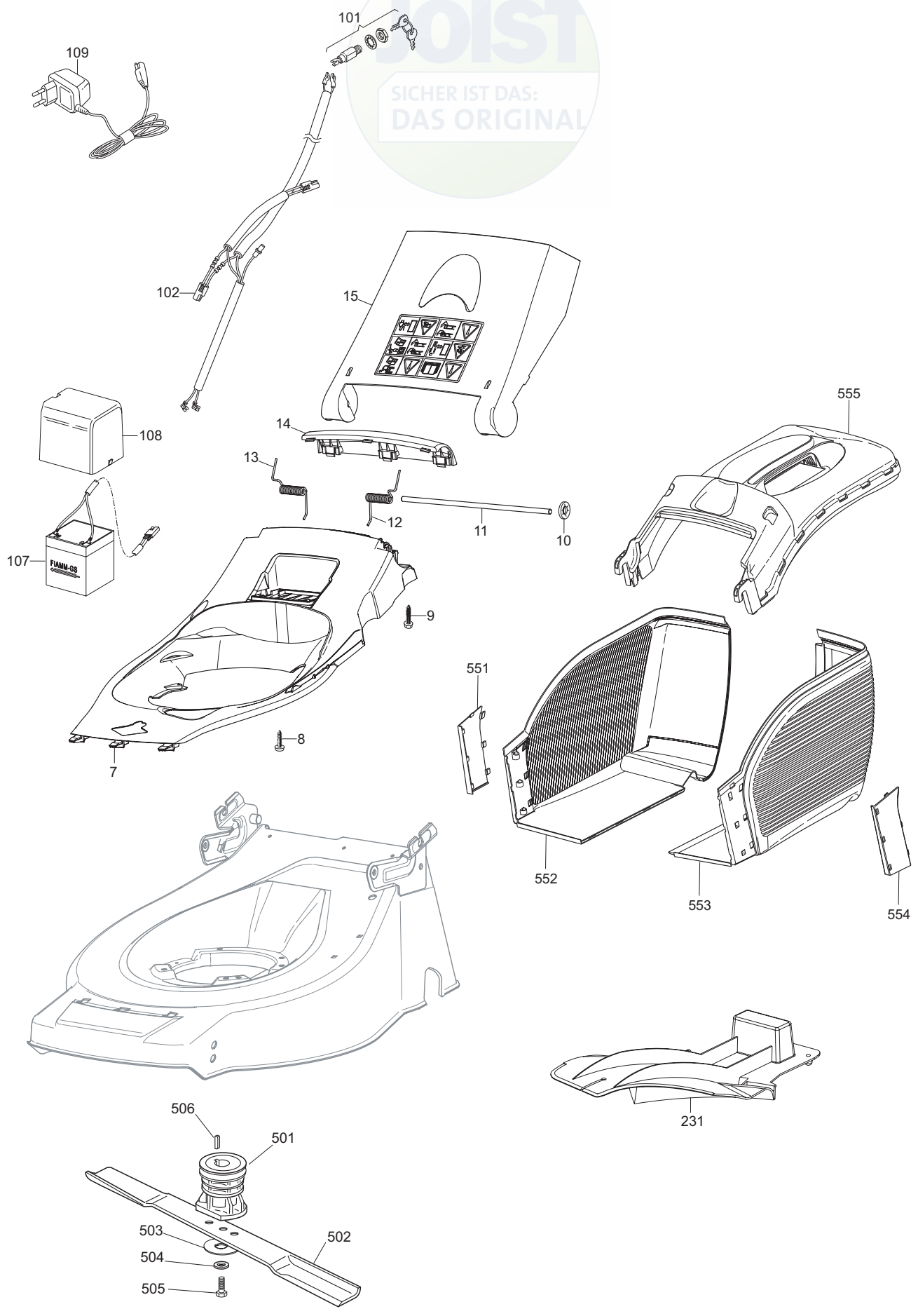


B105



Ausgabe Issue 2005- 1		Bild Nr Picture No B105		VARIOLUX 53 BCAE CHASSIE HOLM		VARIOLUX 53 BCAE CHASSIS HANDLE		Seite Page 62	
Pos. Fig.	Anzahl/Quantity			Artikel Nr. Part No	Bezeichnung	Description	Satz Kit	Anmerkung Notes	
X	1	1		1136-1754-01	Gehäuse.....	Deck.....			
	2	3		1136-0615-01	Schraube .....	Screw.....			
	3	1		1136-0645-01	Schutz .....	Protection .....			
	4	4		9847-8119-16	Schraube .....	Screw.....			
	5	2		1136-0682-01	Platte .....	Plate.....			
	6	1		1136-0665-01	Gummieinsatz.....	Rubber insert .....			
	16	2		1136-0061-01	Propfen.....	Cap.....			
X	17	1		1136-1761-01	Holm- Unterteil .....	Handle- lower .....			
X	18	1		1136-1765-01	Holmrohr .....	Handle tube .....			
X	19	1		1136-1763-01	Holm- Oberteil .....	Handle- upper.....			
X	20	1		1136-1716-01	Handgriff .....	Handgrip .....			
X	21	2		1136-1733-01	Bolzen.....	Pin .....			
	22	2		9675-0012-02	Verriegelungsscheibe .....	Locking washer .....			
X	23	4		1136-1755-01	Hebel .....	Handle lever .....			
X	24	4		1136-1738-01	Scheibe.....	Washer.....			
	25	4		1136-0309-01	Scheibe.....	Washer.....			
X	26	4		1136-1721-01	Schloßrad .....	Locking knob .....			
	27	4		9799-0831-02	Mutter .....	Nut .....			
X	28	2		1136-1746-01	Gummistopfen.....	Cap.....			
X	29	2		1136-1709-01	Ringmutter .....	Ring nut .....			
X	30	2		1136-1708-01	Griff .....	Knob .....			
X	31	2		1136-1681-01	Schraube .....	Screw.....			
X	32	1		1136-1720-01	Griff- untere .....	Knob- lower.....			
X	33	1		1136-1719-01	Griff- obere .....	Knob- upper .....			
X	34	1		1136-1762-01	Holmrohr .....	Handle tube .....			
	35	2		9997-0830-16	Schraube .....	Screw.....		L = 30 mm	
	36	2		9739-0831-22	Mutter .....	Nut .....			
	37	1		9997-0860-16	Schraube .....	Screw.....		L = 60 mm	
	38	1		9699-0028-02	Scheibe.....	Flat washer.....			
	39	1		9747-0831-02	Mutter.....	Lock nut.....			
X	40	2		1136-1722-01	Seilführer.....	Guide spring .....			
X	41	1		1136-1752-01	Motorbremsdraht .....	Engine brake cable .....			
	42	1		1136-1343-01	Seilöse.....	Rope guide.....			
	43	1		9747-0531-02	Mutter .....	Nut .....			
X	45	1		1136-1679-01	Scheibe.....	Washer.....			
X	46	1		1136-1680-01	Schraube .....	Screw.....			
X	47	1		1136-1747-01	Deckel.....	Cap.....			
	51	6		9836-9225-12	Schraube .....	Screw.....			
X	52	1		1136-1710-01	Schutz .....	Protection .....			
X	53	1		1136-1743-01	Stütz .....	Support.....			
X	54	2		1136-1744-01	Stütz .....	Support.....			
	55	4		9836-9116-12	Schraube .....	Screw.....			
X	56	1		1136-1717-01	Regulierbügel .....	Control lever .....			
X	57	1		1136-1712-01	Schutz .....	Protection .....			
X	58	2		1136-1692-01	Deckel.....	Cap.....			
X	59	2		1136-1734-01	Deckel.....	Cover plate.....			
X	60	1		1136-1718-01	Regulierbügel .....	Control lever .....			
X	63	1		1136-1742-01	Stütz .....	Support.....			
X	103	1		1136-1715-01	Schutz .....	Protection .....			
X	104	1		1136-1711-01	Schutz .....	Protection .....			
X	105	2		1136-1692-01	Deckel.....	Cap.....			
	106	4		9836-9225-12	Schraube .....	Screw.....			
X	111	1		1136-1768-01	Schraubensatz.....	Screw set .....			





Ausgabe Issue 2005- 1		Bild Nr Picture No B112		VARIOLUX 53 BCAE MESSER GRASFANGKORB		VARIOLUX 53 BCAE BLADE GRASS COLLECTOR		Seite Page 64	
Pos. Fig.	Anzahl/Quantity				Artikel Nr. Part No	Bezeichnung	Description	Satz Kit	Anmerkung Notes
X	7	1			1136-1697-01	Haube .....	Cover .....		
	8	2			1117-3226-01	Schraube .....	Screw .....		
	9	3			1136-1458-01	Schraube .....	Screw .....		
	10	2			9675-0012-02	Verriegelungsscheibe .....	Locking washer .....		
X	11	1			1136-1731-01	Stange .....	Rod .....		
X	12	1			1136-1723-01	Feder- links .....	Spring- LH .....		
X	13	1			1136-1724-01	Feder- rechts .....	Spring- RH .....		
X	14	1			1136-1698-01	Halter .....	Support .....		
X	15	1			1136-1736-01	Klappe .....	Rear flap .....		
	101	1			1136-0627-01	Schalter .....	Switch .....		
X	102	1			1136-1684-01	Kabelbündel .....	Wire harness .....		
	107	1			1136-1320-01	Batterie .....	Battery .....		
	108	1			1136-1334-01	Deckel .....	Cover .....		
	109	1			1136-1321-01	Ladegerät .....	Charger .....		
	231	1			1136-0656-01	Deflektor .....	Deflector .....		
X	501	1			1111-9744-01	Nabe m. Scheibe .....	Hub w. pulley .....		
	502	1			1111-9726-01	Messer .....	Blade .....		
	503	1			1136-0083-01	Federscheibe .....	Elastic washer .....		
	504	1			1136-0015-01	Scheibe .....	Washer .....		
	505	1			9987-5251-12	Schraube .....	Screw .....		
	506	1			9600-0014-00	Keil .....	Key .....		
X	551	1			1136-1729-01	Profil- rechts .....	Profile- RH .....		
X	552	1			1136-1727-01	Graskorb- rechts .....	Grassbox lower- RH .....		
X	553	1			1136-1728-01	Graskorb- links .....	Grassbox lower- LH .....		
X	554	1			1136-1730-01	Profil- links .....	Profile- LH .....		
X	555	1			1136-1726-01	Graskorb- Oberteil .....	Grassbox- upper .....		





Ausgabe Issue 2005- 1		Bild Nr Picture No B103		VARIOLUX 53 BCAE RADAUFHÄNGUNG GETRIEBE		VARIOLUX 53 BCAE WHEEL SUSPENSION TRANSMISSION		Seite Page 66	
Pos. Fig.	Anzahl/Quantity			Artikel Nr. Part No	Bezeichnung	Description	Satz Kit	Anmerkung Notes	
X	251	2		1136-1701-01	Radkappe- grau .....	Hub cap- grey .....			
	252	4		9747-0831-02	Mutter .....	Lock nut .....			
	253	2		9699-0028-02	Scheibe .....	Flat washer .....			
	254	8		1136-0655-01	Lager .....	Bearing .....			
	255	2		1136-1520-01	Rad .....	Wheel .....			
	256	1		1136-0712-01	Vorderradachse .....	Front wheel axle .....			
	257	2		1136-0009-01	Schließplatte .....	Lock plate .....			
X	258	1		1136-1758-01	Höhenverstellstange .....	Height adjust rod .....			
	259	1		1136-0658-01	Distanzring .....	Spacer .....			
	260	1		9675-0009-02	Verriegelungsscheibe .....	Starlock .....			
	261	1		1136-0006-01	Federscheibe .....	Elastic washer .....			
X	262	1		1136-1757-01	Halter .....	Attachment .....			
	263	2		1136-0772-01	Rad .....	Wheel .....			
X	264	2		1136-1702-01	Radkappe- grau .....	Hub cap- grey .....			
	265	2		1136-0006-01	Federscheibe .....	Elastic washer .....			
	266	2		1136-0609-01	Elastische Scheibe .....	Elastic washer .....			
X	269	1		1136-1732-01	Schulterschraube .....	Shoulder bolt .....			
X	271	1		1136-1756-01	Höhenverstellhebel .....	Height adjust lever .....			
	273	1		1136-0089-01	Scheibe .....	Washer .....			
X	274	1		1136-1740-01	Sektor .....	Height adjust sector .....			
	275	1		9747-0831-02	Mutter .....	Lock nut .....			
X	276	1		1136-1693-01	Deckel .....	Cover .....			
	277	2		9898-0616-16	Schraube .....	Screw .....			
	278	2		9799-0631-02	Mutter .....	Nut .....			
	401	2		1136-0653-01	Kranz .....	Ring gear .....			
	402	1		1136-0690-01	Radschutz- links .....	Wheel protection- LH .....			
	403	4		9650-0012-04	Seegersicherung .....	Circlip .....			
	404	1		1136-0685-01	Ritzel- links .....	Pinion- LH .....			
	405	2		1136-0632-01	Lager .....	Bearing .....			
	406	1		1136-0689-01	Radschutz- rechts .....	Wheel protection- RH .....			
	407	1		1136-0713-01	Hinterradachse .....	Rear wheel axle .....			
	408	1		1136-0684-01	Ritzel- rechts .....	Pinion- RH .....			
X	410	1		1136-1748-01	Kupplungsdraht .....	Clutch cable .....			
	411	1		1136-1456-01	Getriebe Kpl (schw) .....	Gearbox assy (black) .....			
	412	1		1136-0692-01	Riemenscheibe .....	Pulley .....			
	413	1		1136-0612-01	Stift .....	Pin .....			
	414	1		1136-1454-01	Verstellstange .....	Adjustment rod .....			
X	415	1		1136-9746-01	Riemen .....	Belt .....			
	416	2		1136-0697-01	Stift .....	Pin .....			
	417	1		1136-0638-01	Buchse .....	Bush .....			
	418	1		1136-0668-01	Feder .....	Spring .....			
	419	1		1136-0091-01	Scheibe .....	Washer .....			
	420	1		9747-0631-02	Mutter .....	Lock nut .....			
	421	1		1136-0081-01	Nabenkapsel .....	Hub cap .....			