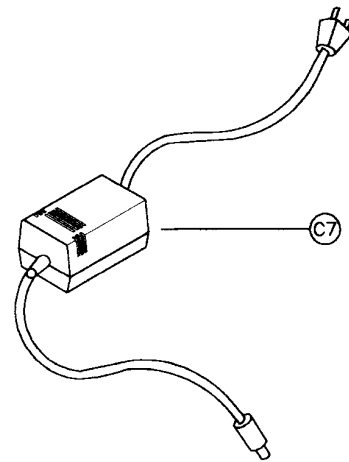
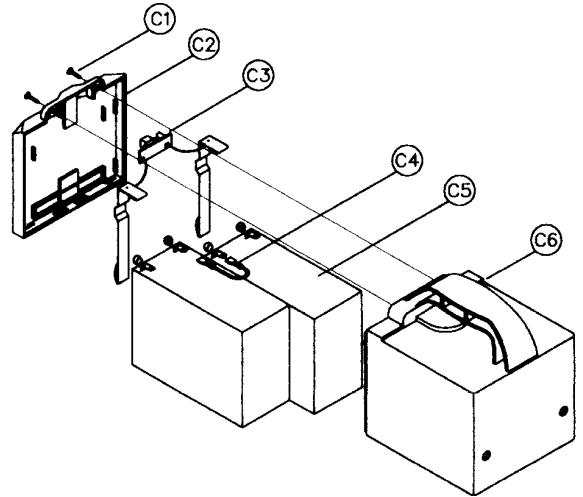
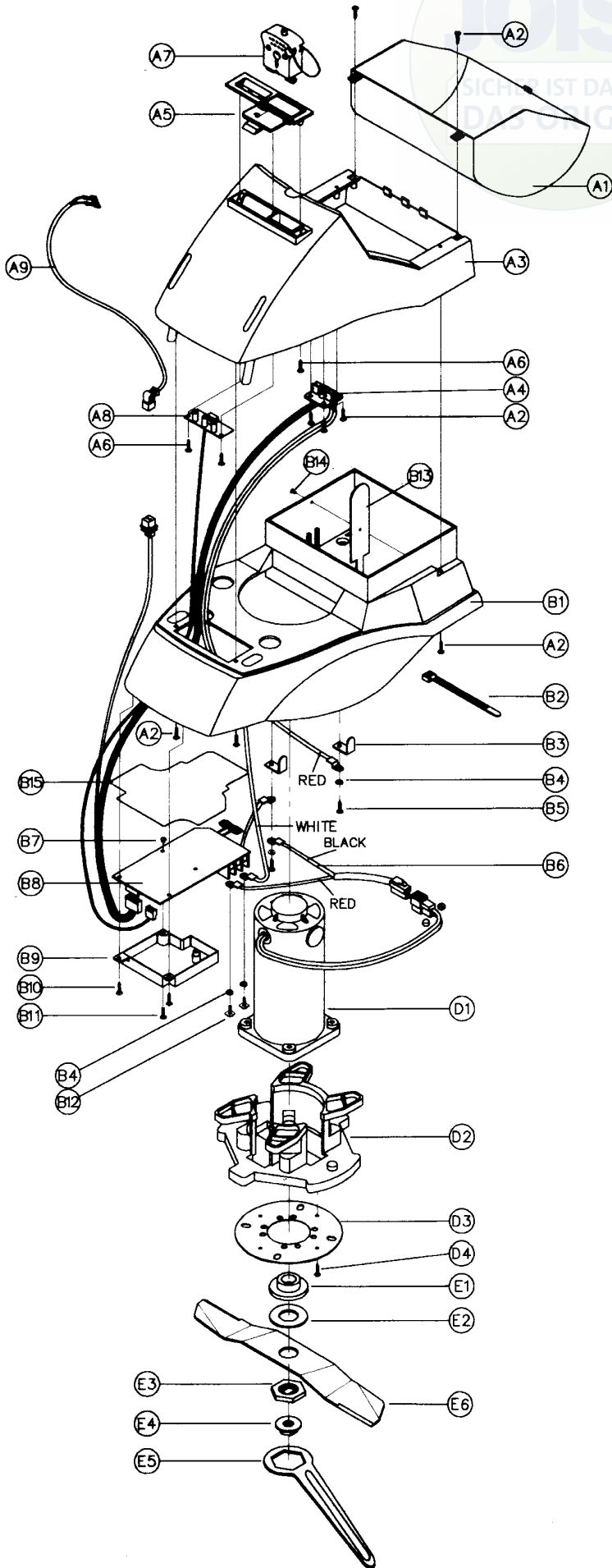






Ausgabe Issue 2004- 1		Bild Nr Picture No B071A		VARIOLUX 40 AKKU CHASSIE		VARIOLUX 40 BATTERY CHASSIS		Seite Page 36	
Pos. Fig.	Anzahl/Quantity				Artikel Nr. Part No	Bezeichnung	Description	Satz Kit	Anmerkung Notes
	1				1117-1317-02	Chassie- rot .....	Chassis- red .....		
	2				1117-3272-01	Holm- Oberteil .....	Handle upper part .....		Inkl. 5
	3				1111-3282-02	Klappe- schwarz .....	Flap- black .....		
	4				1117-1385-02	Motorhalterung- grau.....	Motor mount- grey .....		
	5				9579-0009-00	• Kabelhalter.....	• Cable restrainer .....		
	6				1111-3163-01	Rad .....	Wheel.....		
	7				1111-3238-01	Rad .....	Wheel.....		
	8				9549-0053-00	Kugellager .....	Ball bearing .....		
	9				1117-1215-01	• Achse.....	• Pin.....		
	10				1117-1379-01	Radblech .....	Wheel plate .....		
	11				1111-2815-06	Nabenkapsel- grau .....	Hub cap- grey .....		
	12				1111-3164-01	Radbolzen.....	Wheel axle bolt.....		
	13				1117-1228-01	Einstellhebel .....	Adjusting lever .....		Inkl. 9
	14				1111-2804-06	Nabenkapsel- grau .....	Hub cap- grey .....		
	16				1111-3205-01	Schlüssel .....	Safety key .....		
	18				1111-3582-01	Motorenhalter.....	Motor attachment .....		
	21				9898-0855-12	Schraube .....	Screw .....		
	22				1117-3205-01	Holm- Unterteil .....	Handlebar- lower part.....		
	23				1117-1345-02	Grassamler- Obert. ....	Top collector- black .....		Inkl. 24
	24				1111-2764-01	• Deckel.....	• Cover .....		
	25				1111-3106-01	Grassamler- Unterteil .....	Collector- lower part .....		
	26				1111-3116-01	Grassamler- Unterteil .....	Collector- lower part .....		
	27				1117-3194-01	Verriegelungsrad .....	Locking knob .....		
	28				9699-0028-02	Scheibe.....	Flat washer.....		
	29				9847-7909-16	Schraube .....	Screw .....		
	30	11			9836-9516-12	Schraube .....	Screw .....		
	31	1			1111-2792-01	Feder .....	Spring .....		
	33	4			9694-0003-00	Scheibe.....	Washer.....		
	35	4			9836-9216-12	Schraube .....	Screw .....		
	36	2			1117-3022-01	Schraube .....	Screw .....		
	37	2			1111-3136-01	Scheibe.....	Washer.....		
X	38	2			1136-1403-01	Kabelhalter.....	Cable holder .....		
	39	4			1117-1356-01	Schloßscheibe .....	Lock washer .....		
	43	1			1111-3156-01	Messerschlüssel .....	Blade wrench .....		
X	45	1			1136-1460-01	Montagesatz .....	Assy kit .....		
	46	4			1117-1382-01	Höheneinstellsegment .....	Sector .....		
	47	2			9699-0037-02	Scheibe.....	Washer.....		
	48	4			9699-0062-02	Scheibe.....	Flat washer.....		
	49	4			1117-1376-01	Radschild.....	Wheel lever .....		
	50	1			1117-1381-01	Radachse.....	Shaft .....		
	51	4			9716-0831-02	Mutter.....	Nut .....		
	52	1			1117-1380-01	Radachse.....	Wheel shaft .....		
	53	2			9799-0831-02	Mutter .....	Nut .....		
	54	2			9836-9225-12	Schraube .....	Screw .....		
	55	1			1117-3380-01	Schalter .....	Switch .....		





Ausgabe Issue 2004- 1		Bild Nr Picture No B072		VARIOLUX 40 AKKU MOTOR MESSER		VARIOLUX 40 BATTERY MOTOR BLADE		Seite Page 38	
Pos. Fig.	Anzahl/Quantity				Artikel Nr. Part No	Bezeichnung	Description	Satz Kit	Anmerkung Notes
A01	1				1117-2076-02	Batterieklappe- rot .....	Top housing- red .....		
A02	10				9836-9216-12	Schraube .....	Screw .....		
A03	1				1117-2077-02	Obere Gehäuse- rot.....	Upper housing- red .....		
A04	1				1117-2137-01	Platte .....	Safety key plate .....		
A05	1				1117-2062-01	Display- Halter .....	LED place .....		
A06	3				9836-9012-12	Schraube .....	Screw .....		
A07	1				1111-3205-01	Schlüssel .....	Safety key .....		
A08	1				1117-2087-01	LED Display .....	LED circuit board .....		
A09	1				1117-2141-01	Kabel .....	Cable .....		1175 mm
B01	1				1117-2078-02	Batteriegehäuse- grau.....	Battery house- grey.....		
B02	1				9579-0008-00	Kabelhalter.....	Cable holder .....		
B03	2				1117-2084-01	Anschlußblech .....	Connection.....		
B04	4				9683-0015-02	Scheibe .....	Lock washer.....		
B05	2				9836-9520-12	Schraube .....	Screw .....		
B06	1				1117-2086-01	Motorkabelbündel.....	Motor plug set .....		
B07	1				9799-0431-02	Mutter .....	Nut .....		
B08	1				1117-2140-01	Kreiskarte .....	IC card .....		
B09	1				1117-2079-01	Haube .....	Cover .....		
B10	2				9847-7716-16	Schraube .....	Screw .....		
B11	1				9865-0408-16	Schraube .....	Screw .....		
B12	2				9849-7909-16	Schraube .....	Screw .....		
B13	1				1117-2108-01	Isolierung .....	Charging insulation .....		
B14	1				1117-2131-01	Niet.....	Rivet.....		
B15	1				1117-2105-01	Dampfer.....	Pad.....		
C01	2				9836-9216-12	Schraube .....	Screw .....		
C02	1				1117-2080-01	Batteriehaube.....	Battery box cover .....		
C03	1				1117-2089-01	Ladeplatte .....	Charging plate.....		
C04	1				1117-2091-01	Kabel .....	Cord .....		
C05	2				1117-2083-01	Batterie .....	Battery .....	12 volt - 9 Ah	
C06	1				1117-2075-01	Batteriegehäuse.....	Battery box.....		
C07	1				1117-3385-01	Ladegerät.....	Charger .....	Die Schweiz	
C07	1				9400-0262-00	Ladegerät.....	Charger .....		
C99	1				1111-3122-01	Geladekabel (450 mm) .....	Charging wire.....		Nicht ill.
D01	1				1117-2085-01	Motor.....	Motor .....		
D02	1				1117-2092-01	Motorbefestigung .....	Motor base.....		
D03	1				1117-2082-01	Motorplatte.....	Motor mounting plate .....		
D04	4				9836-9012-12	Schraube .....	Screw .....		
E01	1				1111-3128-01	Messerhalter.....	Blade holder .....		
E02	1				1111-0020-01	Scheibe.....	Support washer.....		
E03	1				1111-3135-01	Sechskantscheibe.....	Hexagonal washer.....		
E04	1				1111-3129-01	Messermutter .....	Blade nut.....		
E05	1				1111-3156-01	Messerschlüssel.....	Blade wrench .....		
E06	1				1117-1352-01	Messer.....	Blade .....		

X