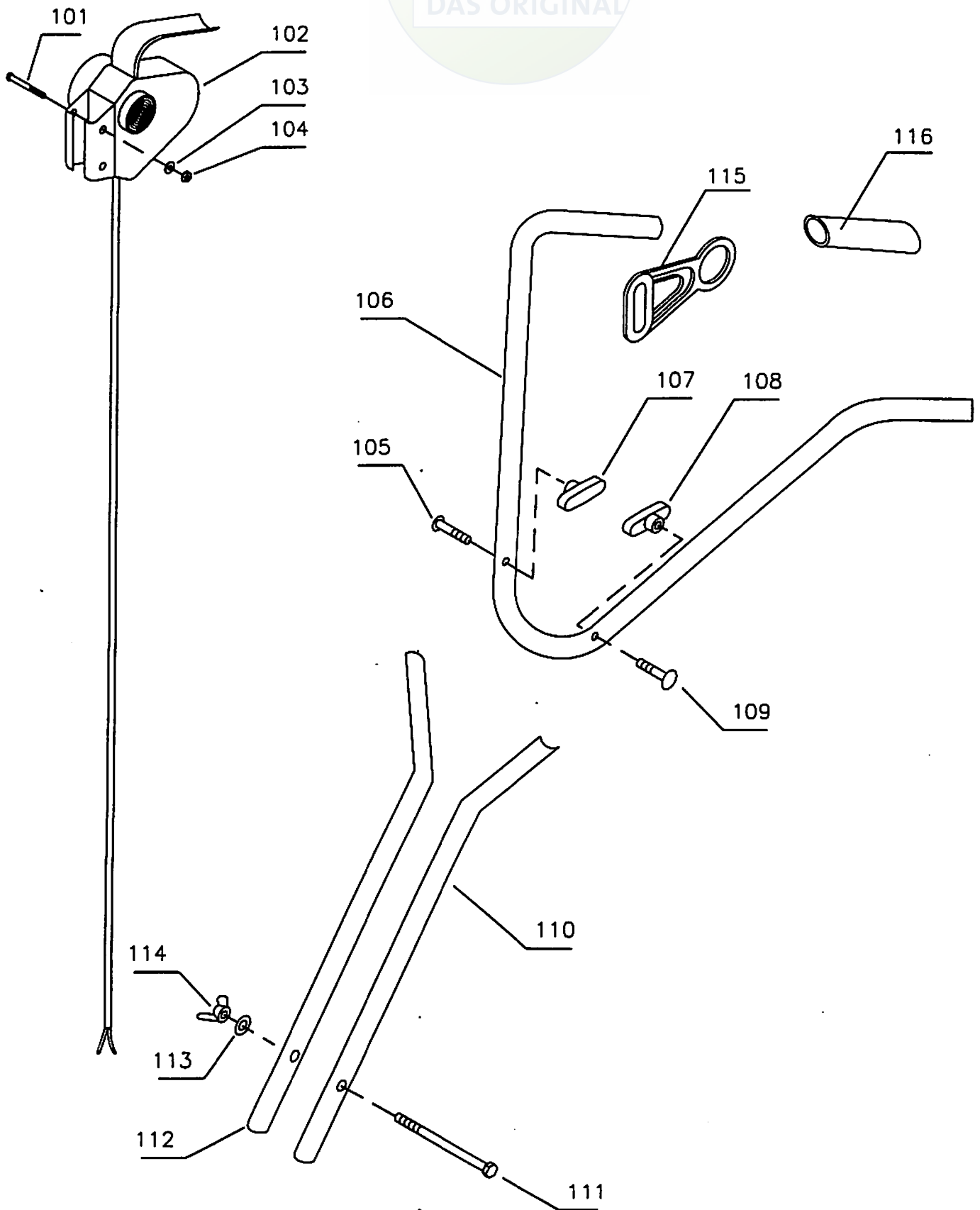


Utgåva Issue 1997-14	Bildnr Picture No 769	JE 30 ELMOTOR SPÄNNRULLE	JE 30 EL MOTOR TENSION ROLLER	Sida Page 106
----------------------------	-----------------------------	--------------------------------	-------------------------------------	---------------------

Pos. Fig.	Antal/Quantity				Art nr Part No	Benämning	Description	Sats Kit	Anmärkning Notes
	1030								
1	1				1482-0879-01	Elmotor.....	El.motor .....		
2	1				1482-0810-01	Spännarm.....	Tension arm.....		
3	1				9799-0831-02	Mutter.....	Nut.....		
4	1				1482-0813-01	Fjäder.....	Spring.....		
5	1				9997-0825-16	Skruv.....	Screw.....		
6	1				1482-0856-01	Spännrulle.....	Tension roller.....		
7	1				1482-0796-01	Bussning.....	Bushing.....		
8	1				9997-0820-16	Skruv.....	Screw.....		
9	1				1482-0781-01	Bussning.....	Bushing.....		
10	1				9739-0631-22	Mutter.....	Nut.....		
11	1				9799-0631-02	Mutter.....	Nut.....		
12	1				1482-0811-01	Kabelhållare.....	Cable holder.....		
13	1				9739-0631-22	Mutter.....	Nut.....		
14	1				9739-0631-22	Mutter.....	Nut.....		
15	1				1482-0868-01	Motorfäste.....	Motor bracket.....		
16	1				9799-0631-02	Mutter.....	Nut.....		
17	1				9997-0625-16	Skruv.....	Screw.....		
18	1				9997-0630-12	Skruv.....	Screw.....		
19	2				9997-0825-16	Skruv.....	Screw.....		
20	2				9699-0025-02	Planbricka.....	Flat washer.....		
21	2				9799-0631-02	Mutter.....	Nut.....		
22	1				9997-0625-16	Skruv.....	Screw.....		
23	1				9997-0522-16	Skruv.....	Screw.....		
24	1				9997-0625-16	Skruv.....	Screw.....		
25	1				9997-0625-16	Skruv.....	Screw.....		
26	1				1482-0844-01	Kondensator.....	Condensor.....		
27	1				9799-0831-02	Mutter.....	Nut.....		

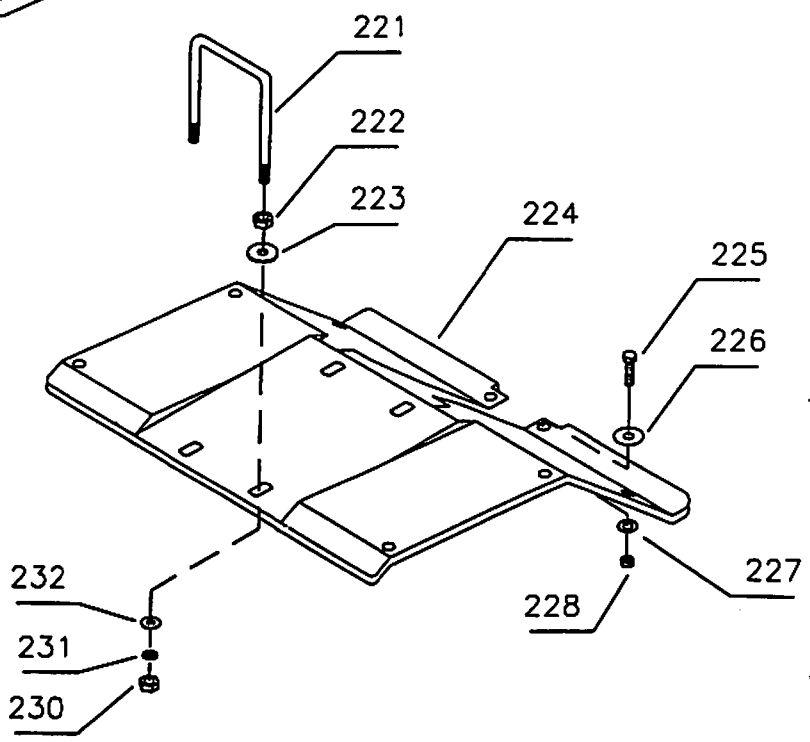
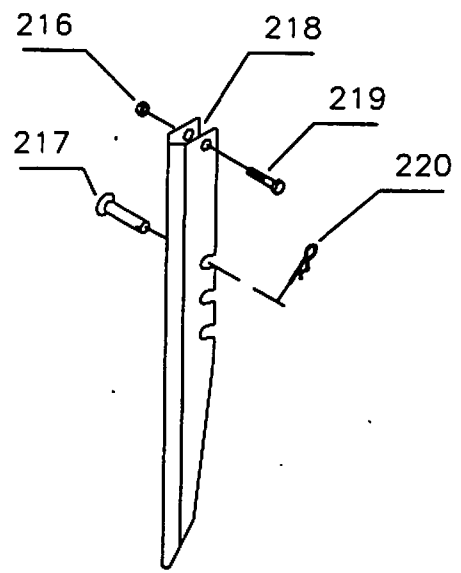
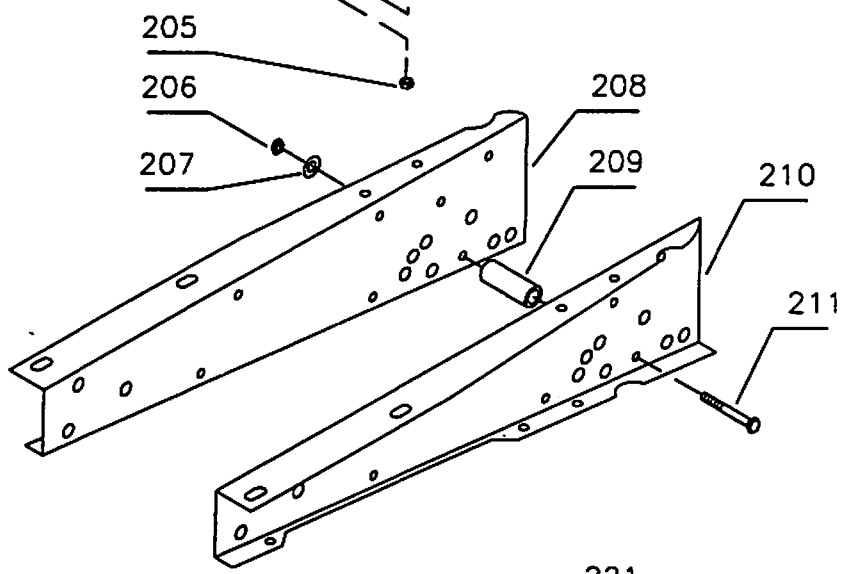
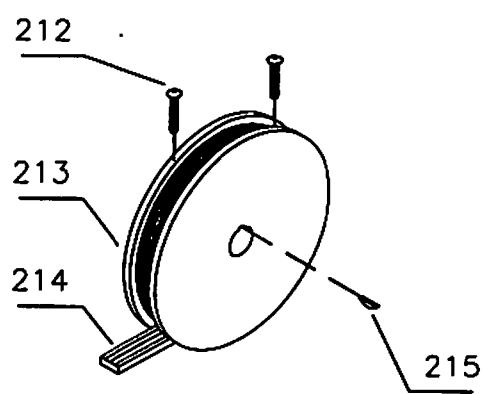
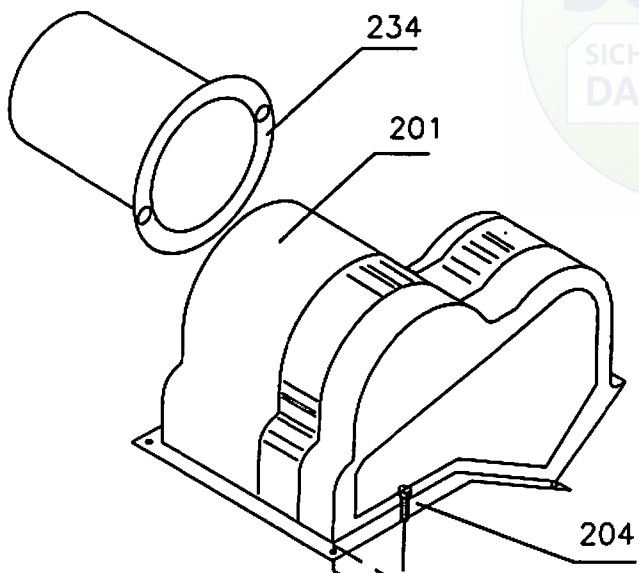


JE 30  
STYRE

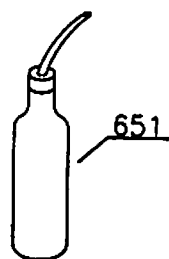
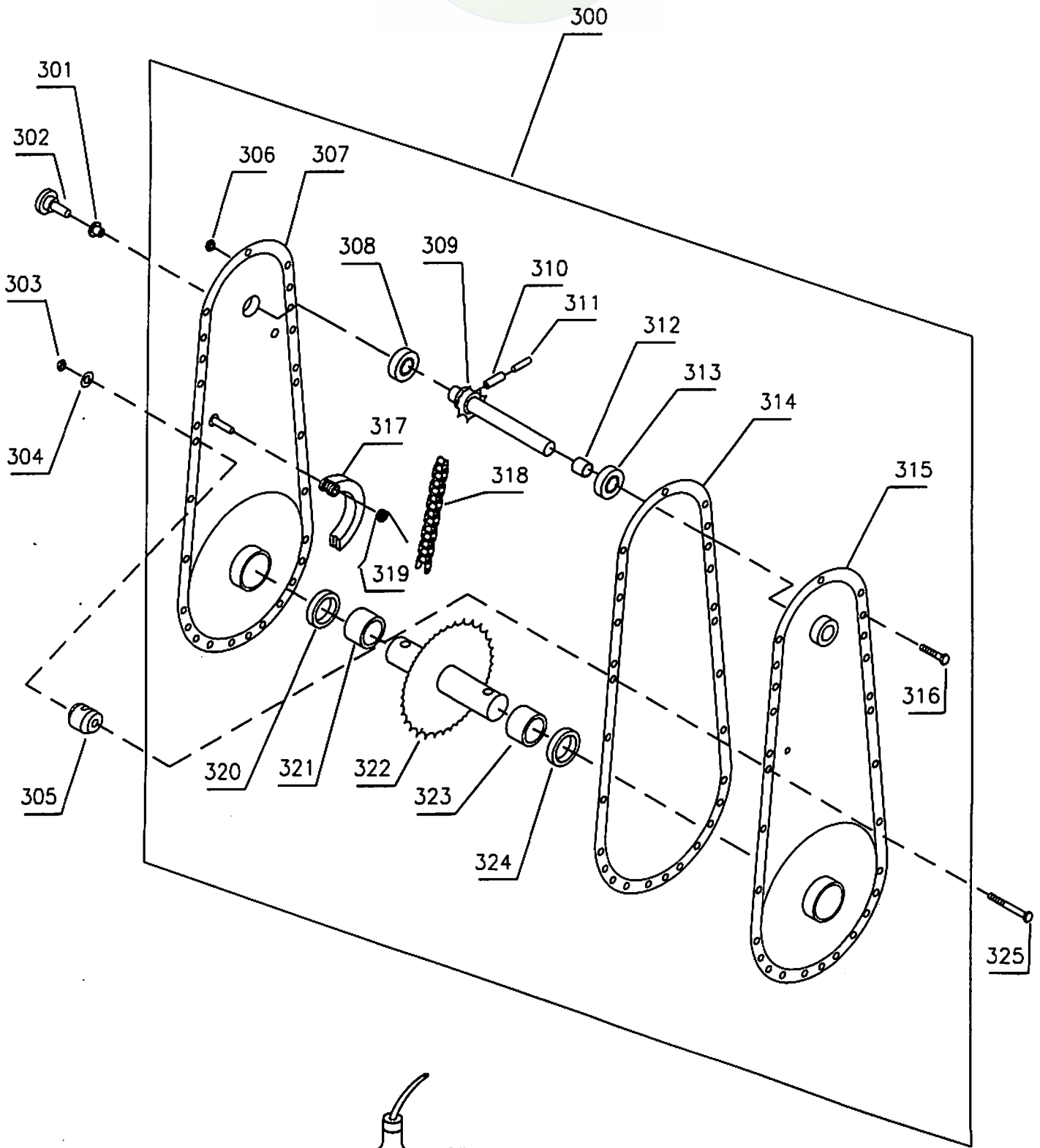
SICHER IST HANDLEBAR  
DAS ORIGINAL

Utgåva Issue 1997-14	Bildnr Picture No 770	JE 30 STYRE	JE 30 HANDLEBAR	Sida Page 108
----------------------------	-----------------------------	----------------	--------------------	---------------------

Pos. Fig.	Antal/Quantity			Art nr Part No	Benämning	Description	Sats Kit	Anmärkning Notes
	1030							
101	2			9997-0545-12	Skruv .....	Screw .....		
102	1			1482-0880-01	Manöverdosa .....	Switch .....		
103	2			9699-0024-02	Planbricka .....	Flat washer .....		
104	2			9739-0631-22	Mutter .....	Nut .....		
105	1			9898-0635-12	Skruv .....	Screw .....		
106	1			1482-0815-01	Styre-överdel .....	Handle-upper part .....		
107	1			1482-0576-01	Plastmutter .....	Plastic wing nut .....		
108	1			1482-0576-01	Plastmutter .....	Plastic wing nut .....		
109	1			9898-0635-12	Skruv .....	Screw .....		
110	1			1482-0790-01	Styrrör .....	Handle tube .....		
111	1			9997-0812-02	Skruv .....	Screw .....		
112	1			1482-0790-01	Styrrör .....	Handle tube .....		
113	1			9683-0030-02	Låsbricka .....	Lock washer .....		
114	1			9751-0821-02	Vingmutter .....	Wing nut .....		
115	1			1482-0872-01	Dragavlastare .....	Cable block .....		
116	2			1482-0848-01	Handtag .....	Grip .....		



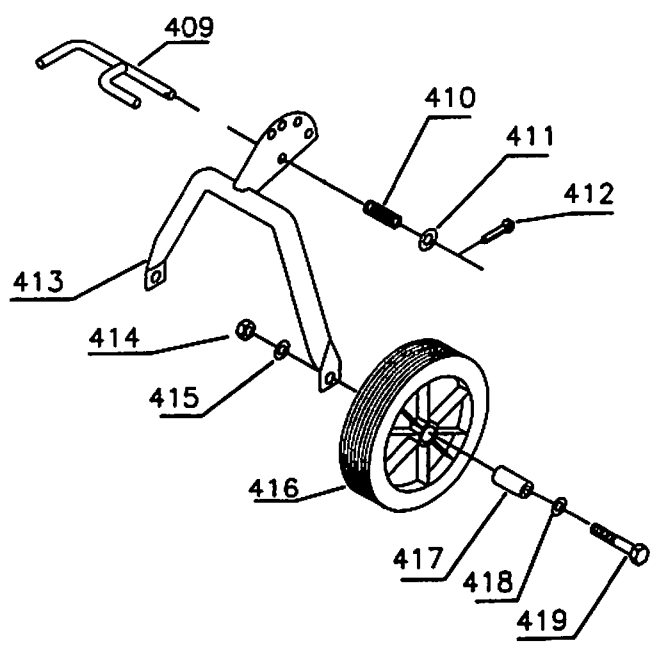
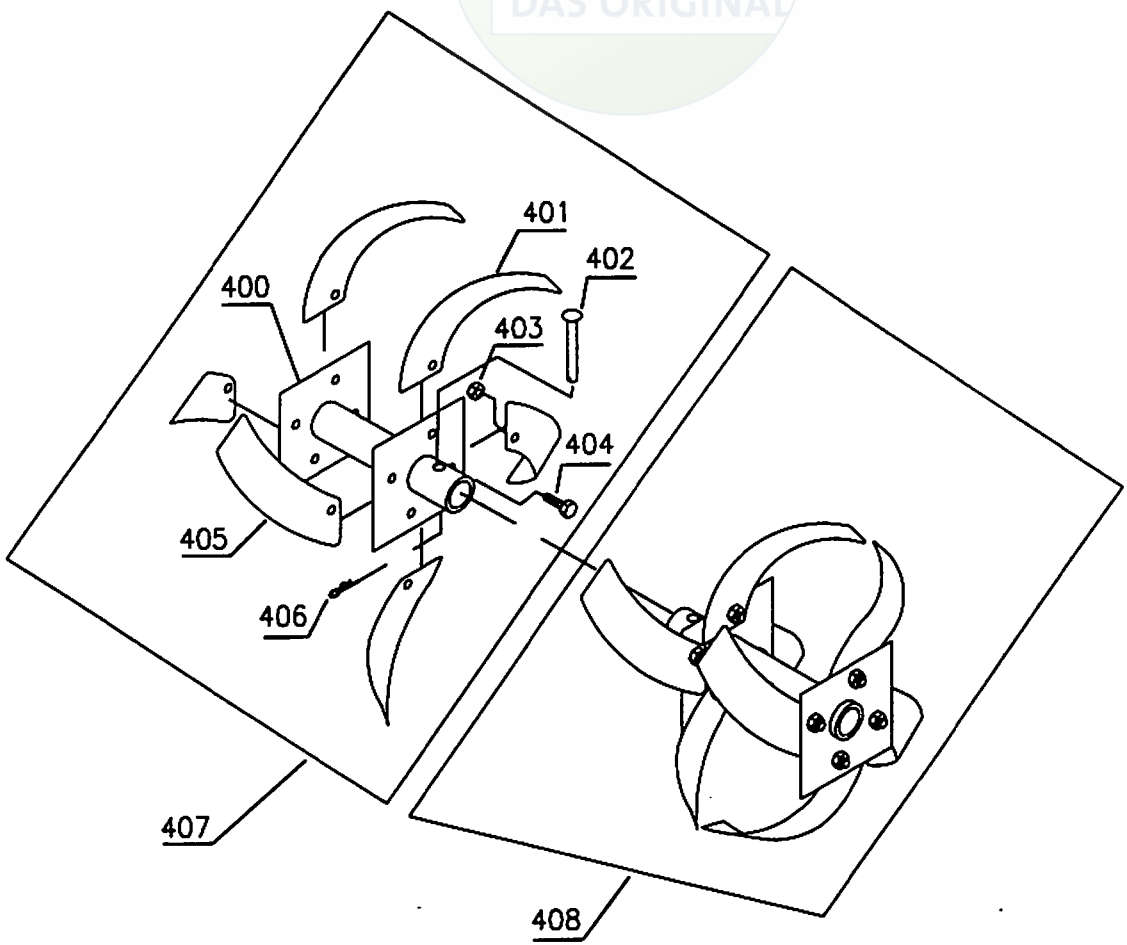
Utgåva Issue 1997-14		Bildnr Picture No 771		JE 30 REMSKIVA	JE 30 BELT PULLEY	Sida Page 110		
Pos. Fig.	Antal/Quantity			Art nr Part No	Benämning	Description	Sats Kit	Anmärkning Notes
	1030							
201	1			1482-0870-01	Motorhuv.....	Motor hood.....		
204	4			9865-0512-16	Skruv.....	Screw.....		
205	4			9739-0631-22	Mutter.....	Nut.....		
206	2			9799-0631-02	Mutter.....	Nut.....		
207	2			9683-0025-02	Låsbricka.....	Lock washer.....		
208	1			1482-0791-01	Ram-hö.....	Member-R.H.....		
209	2			1482-0501-01	Distans.....	Spacer.....		
210	1			1482-0792-01	Ram-vä.....	Member-L.H.....		
211	2			9997-0635-12	Skruv.....	Screw.....		
212	2			1482-0818-01	Skruv.....	Screw.....		
213	1			1482-0871-01	Remhjul.....	Belt pulley.....		
214	1			1482-0876-01	Kilrem.....	V-belt.....		
215	1			9600-0016-00	Woodruffkil.....	Key.....		
216	1			9799-0631-02	Mutter.....	Nut.....		
217	1			1482-0041-00	Sprint.....	Pin.....		
218	1			1482-0666-01	Bromssporre.....	Depth skid.....		
219	1			9997-0635-12	Skruv.....	Screw.....		
220	1			9598-0002-02	Låsnål.....	Spring pin.....		
221	1			1482-0812-01	Bärhandtag.....	Handle.....		
222	2			9799-0831-02	Mutter.....	Nut.....		
223	2			9699-0028-02	Planbricka.....	Flat washer.....		
224	1			1482-0816-01	Skärm.....	Sheet.....		
225	2			9997-0616-16	Skruv.....	Screw.....		
226	2			9699-0025-02	Planbricka.....	Flat washer.....		
227	2			9683-0025-02	Låsbricka.....	Lock washer.....		
228	2			9799-0631-02	Mutter.....	Nut.....		
230	2			9799-0831-02	Mutter.....	Nut.....		
231	2			9683-0030-02	Låsbricka.....	Lock washer.....		
232	2			9699-0028-02	Planbricka.....	Flat washer.....		
234	1			1482-0869-01	Fläktskydd.....	Ventilating guard.....		



SICHER IST DAS ORIGINAL

Utgåva Issue		Bildnr Picture No		JE 30 KEDJEHUS	JE 30 CHAIN CASE	Sida Page		
1997-14		772				112		
Pos. Fig.	Antal/Quantity			Art nr Part No	Benämning	Description	Sats Kit	Anmärkning Notes
	1030							
300	1			1482-0814-01	Kedjehus kpl.....	Chain case assy .....		
301	1			1482-0554-01	Bussning .....	Bushing .....		
302	1			1482-0248-01	Oljepåfyllningsplugg .....	Oilplug .....		
303	4			9799-0631-02	Mutter .....	Nut .....		
304	4			9683-0025-02	Låsbricka .....	Lock washer .....		
305	4			1482-0677-01	Bussning .....	Mounting bush .....		
306	24			9799-0531-02	• Mutter .....	• Nut .....		
307	1			1482-0668-01	• Kedjehushalva-hö .....	• Chain case-R.H. ....		
308	1			9549-0017-00	• Kullager .....	• Ball bearing .....		
309	1			1482-0795-01	• Ingående axel .....	• Shaft inner .....		
310	1			1482-0607-01	• Stift-yttre .....	• Pin-outer .....		
311	1			1482-0606-01	• Stift-inre .....	• Pin-inner .....		
312	1			1482-0632-01	• Bussning .....	• Bushing .....		
313	1			9549-0017-00	• Kullager .....	• Ball bearing .....		
314	1			1482-0633-01	• Packning .....	• Gasket .....		
315	1			1482-0669-01	• Kedjehushalva-vä .....	• Chain case-L.H. ....		
316	1			9997-0510-16	• Skruv .....	• Screw .....		
317	1			1482-0630-01	• Kedjesträckare .....	• Chain tensioner .....		
318	1			1482-0514-01	• Kedja .....	• Chain .....		
319	1			1482-0629-01	• Fjäder .....	• Spring .....		
320	1			1482-0214-01	• Tätningsring .....	• Seal .....		
321	1			1482-0485-01	• Nållager .....	• Needle bearing .....		
322	1			1482-0513-01	• Drivaxel .....	• Drive shaft .....		
323	1			1482-0485-01	• Nållager .....	• Needle bearing .....		
324	1			1482-0214-01	• Tätningsring .....	• Seal .....		
325	4			9997-0635-12	Skruv .....	Screw .....		
651	1			1482-0536-01	Växelhusolja (0.5 l) .....	Gear case oil (0.5 l) .....		Texaco Multifak





Utgåva Issue 1997-14	Bildnr Picture No 773	JE 30 ROTORER STÖDHJUL	JE 30 ROTORS SUPPORT WHEEL	Sida Page 114
----------------------------	-----------------------------	------------------------------	----------------------------------	---------------------

Pos. Fig.	Antal/Quantity				Art nr Part No	Benämning	Description	Sats Kit	Anmärkning Notes
	1030								
400	2				1482-0784-01	• Knivrör.....	• Tube.....		
401	8				1482-0785-01	• Knivblad-hö .....	• Blade-R.H.....		
402	2				1482-0041-00	• Sprint.....	• Pin.....		
403	16				9794-5131-02	• Mutter .....	• Nut .....		
404	16				9987-5119-16	• Skruv .....	• Screw .....		
405	8				1482-0783-01	• Kniv-vä .....	• Blade-L.H. ....		
406	2				9598-0002-02	• Låsnål .....	• Spring pin .....		
407	1				1482-0786-01	Rotor kpl-hö .....	Rotor assy-R.H. ....		
408	1				1482-0787-01	Rotor kpl-vä.....	Rotor assy-L.H.....		
409	1				1482-0618-01	Lås f.hjulbygel .....	Wheel fork lock .....		
410	1				1482-0619-01	Fjäder.....	Spring .....		
411	1				9699-0035-02	Planbricka.....	Flat washer.....		
412	1				9599-0071-02	Saxsprint.....	Split pin.....		
413	1				1482-0691-01	Stödhjulsbygel.....	Wheel fork.....		
414	2				9799-1031-02	Mutter.....	Nut .....		
415	2				9683-0040-02	Låsbricka.....	Lock washer.....		
416	2				1482-0526-01	Stödhjul .....	Support wheel.....		
417	2				1482-0521-01	Hjulbussning .....	Wheel bushing .....		
418	2				9699-0035-02	Planbricka.....	Flat washer.....		
419	2				9997-1060-12	Skruv .....	Screw.....		