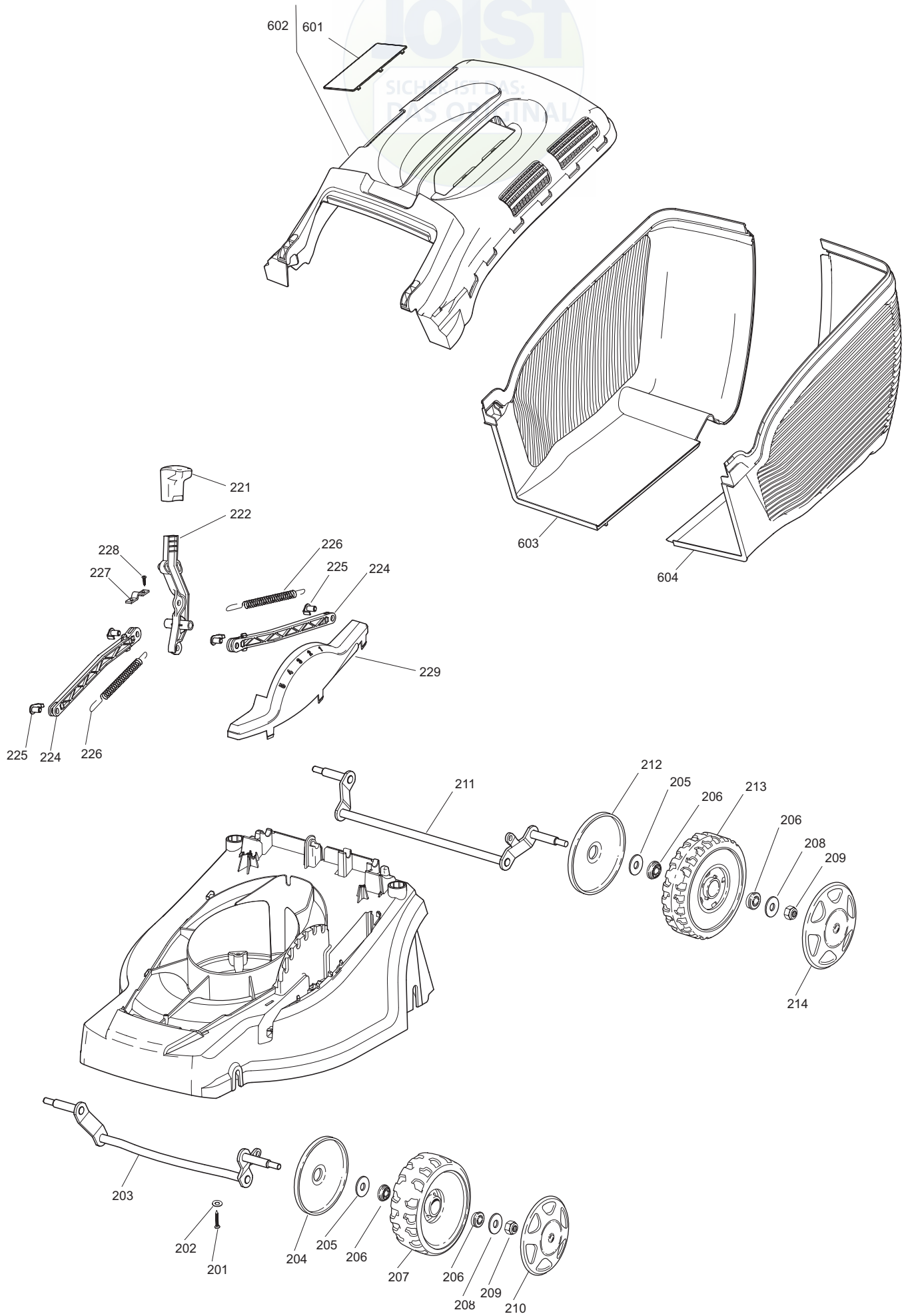


B116



Ausgabe Issue 2008- 52		Bild Nr Picture No B116		VARIOLUX 41 E CHASSIE HOLM		VARIOLUX 41 E CHASSIS HANDLE		Seite Page 20	
Pos. Fig.	Anzahl/Quantity				Artikel Nr. Part No	Bezeichnung	Description	Satz Kit	Anmerkung Notes
X	1	1			322066734/0	Chassie- grau .....	Chassis- grey .....		
	2	2			12728691/0	Schraube .....	Screw .....		
	3	1			22608535/0	Platte .....	Plate .....		
	4	1			22450423/0	Feder .....	Spring .....		
	6	1			81000463/0	Prallblech- rot .....	Stone guard- red .....		
	7	2			12728450/0	Schraube .....	Screw .....		
	8	1			81006662/0	Holm- Unterteil .....	Handle- lower .....		
	9	2			12293200/0	Mutter .....	Nut .....		
	10	2			22399816/0	Schloßrad .....	Locking knob .....		
	11	2			25670011/0	Scheibe .....	Washer .....		
	12	2			22680011/0	Scheibe .....	Washer .....		
	13	2			81003250/0	Sperrhebel .....	Handle block lever .....		
	14	2			81006663/0	Holm- mittlere .....	Handle- intermed .....		
	15	2			22820066/0	Propfen .....	Cap .....		
	16	2			22245061/0	Ringmutter- innere .....	Ring nut- internal .....		
	17	2			22245060/0	Ringmutter- äußere .....	Ring nut- external .....		
	18	1			81006665/0	Holm- Oberteil .....	Handle- upper .....		
	19	1			22291057/0	Handgriff .....	Handgrip .....		
	20	4			12728684/0	Schraube .....	Screw .....		
	21	1			22393617/0	Holmdeckel- untere .....	Handle cover- lower .....		
	22	1			22393616/0	Holmdeckel- obere .....	Handle cover- upper .....		
	23	2			12728701/0	Schraube .....	Screw .....		
	24	1			81600507/0	Schalter .....	Dead hand switch .....		CE
	24	1			81600508/0	Schalter .....	Dead hand switch .....		die Schweiz
	25	1			22195101/4	Zugentlaster .....	Fairlead .....		
	26	2			22192000/1	Kabelhalter .....	Anchor clamp .....		
	30	2			12728685/0	Schraube .....	Screw .....		
	31	3			12728691/0	Schraube .....	Screw .....		
	32	1			22109725/0	Deckel .....	Cover .....		
	33	1			22055110/0	Motordeckel .....	Motor cover .....		
	35	1			81008675/0	Schraubensatz .....	Screw set .....		
	51	1			18563625/0	Motor .....	El. motor .....		Inkl. 52
	52	1			18222050/0	• Kondensator .....	• Capacitor .....		18 uF
	53	4			12735410/0	Schraube .....	Screw .....		
	71	1			22465602/0	Messerhalter .....	Blade holder .....		
	72	1			1111- 9762- 01	Messer .....	Blade .....		
	73	1			81004352/0	Schraube .....	Screw .....		



B117A



Ausgabe Issue 2008- 52		Bild Nr Picture No B117A		VARIOLUX 41 E GRASFÄNGER RADAUFHÄNGUNG		VARIOLUX 41 E COLLECTOR WHEEL SUSPENSION		Seite Page 22	
Pos. Fig.	Anzahl/Quantity				Artikel Nr. Part No	Bezeichnung	Description	Satz Kit	Anmerkung Notes
201	4				12728680/0	Schraube .....	Screw .....		
202	4				12523050/0	Scheibe.....	Washer .....		
203	1				81002837/0	Radachse- vorne .....	Wheel axle- front .....		
204	2				22600095/0	Radschutz.....	Wheel protection .....		
205	4				22675100/0	Scheibe.....	Washer .....		
206	8				22122200/0	Kugellager .....	Ball bearing .....		
207	2				22686091/0	Rad .....	Wheel .....		
208	4				12521350/0	Scheibe.....	Washer .....		
209	4				12155000/0	Mutter.....	Nut .....		
210	2				22110409/0	Radkappe.....	Hub cap.....		
211	1				81002839/0	Radachse- hinten .....	Wheel axle- rear .....		
212	2				22600131/0	Radschutz.....	Wheel protection .....		
213	2				22686092/0	Rad .....	Wheel .....		
214	2				22110410/0	Radkappe.....	Hub cap.....		
221	1				22399818/0	Knopf.....	Knob .....		
222	1				322321535/0	Höhenverst.hebel.....	Height adjust lever .....		
224	2				22869668/0	Stange .....	Tie rod .....		
225	4				22524338/0	Bolzen.....	Pin .....		
226	2				22450424/0	Feder .....	Spring .....		
227	1				25547049/0	Bügel .....	Plate .....		
228	2				12728691/0	Schraube .....	Screw .....		
229	1				22109726/0	Deckel- rot .....	Cover- red .....		
601	1				22486179/0	• Platte .....	• Plate .....		
602	1				81000462/0	Graskorb- Oberteil .....	Grass box- upper.....		Inkl. 601
603	1				22486176/0	Graskorb- untere, R .....	Grass box- lower, RH .....		
604	1				22486177/0	Graskorb- untere, L.....	Grass box- lower, LH.....		

X