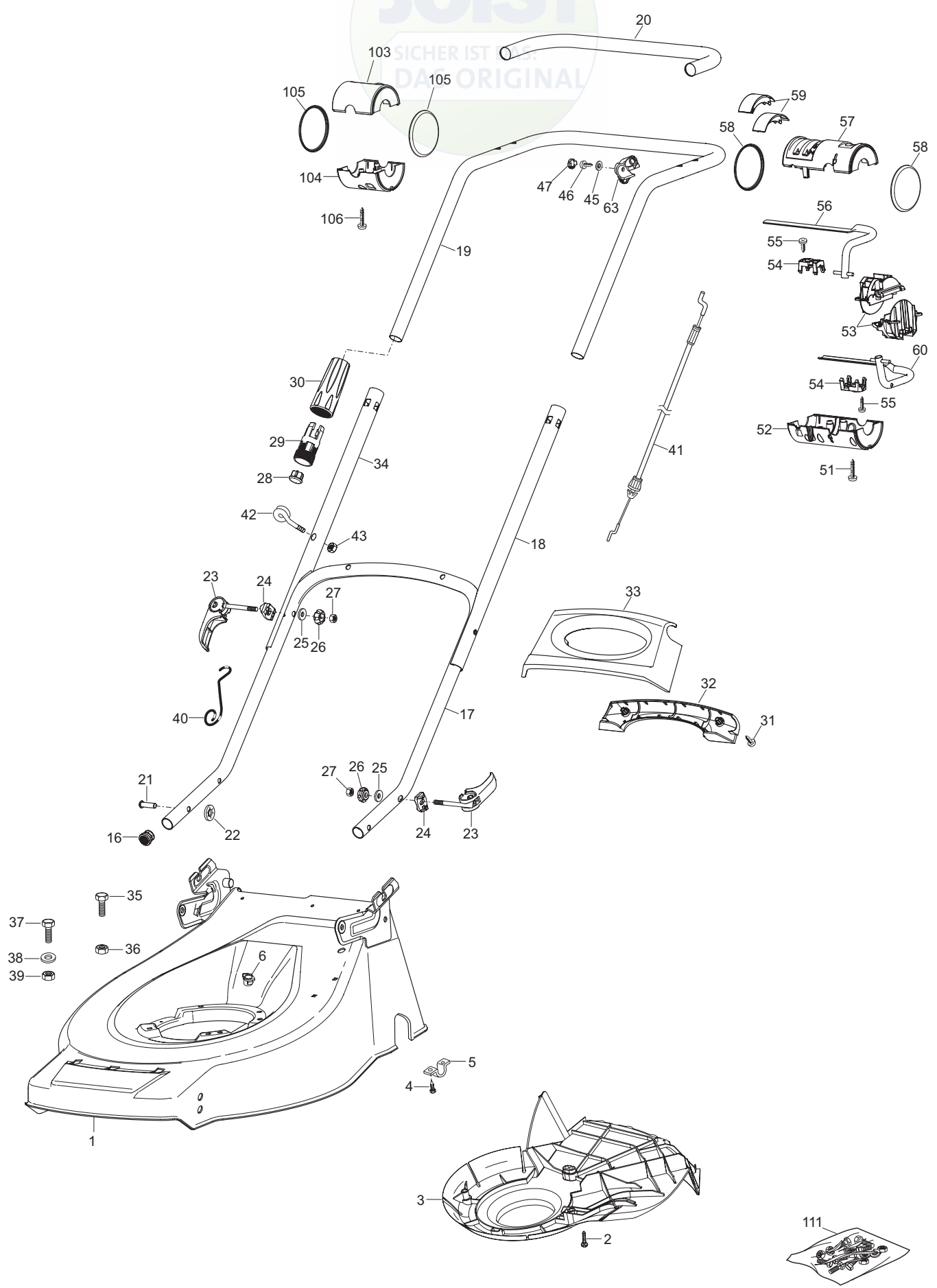
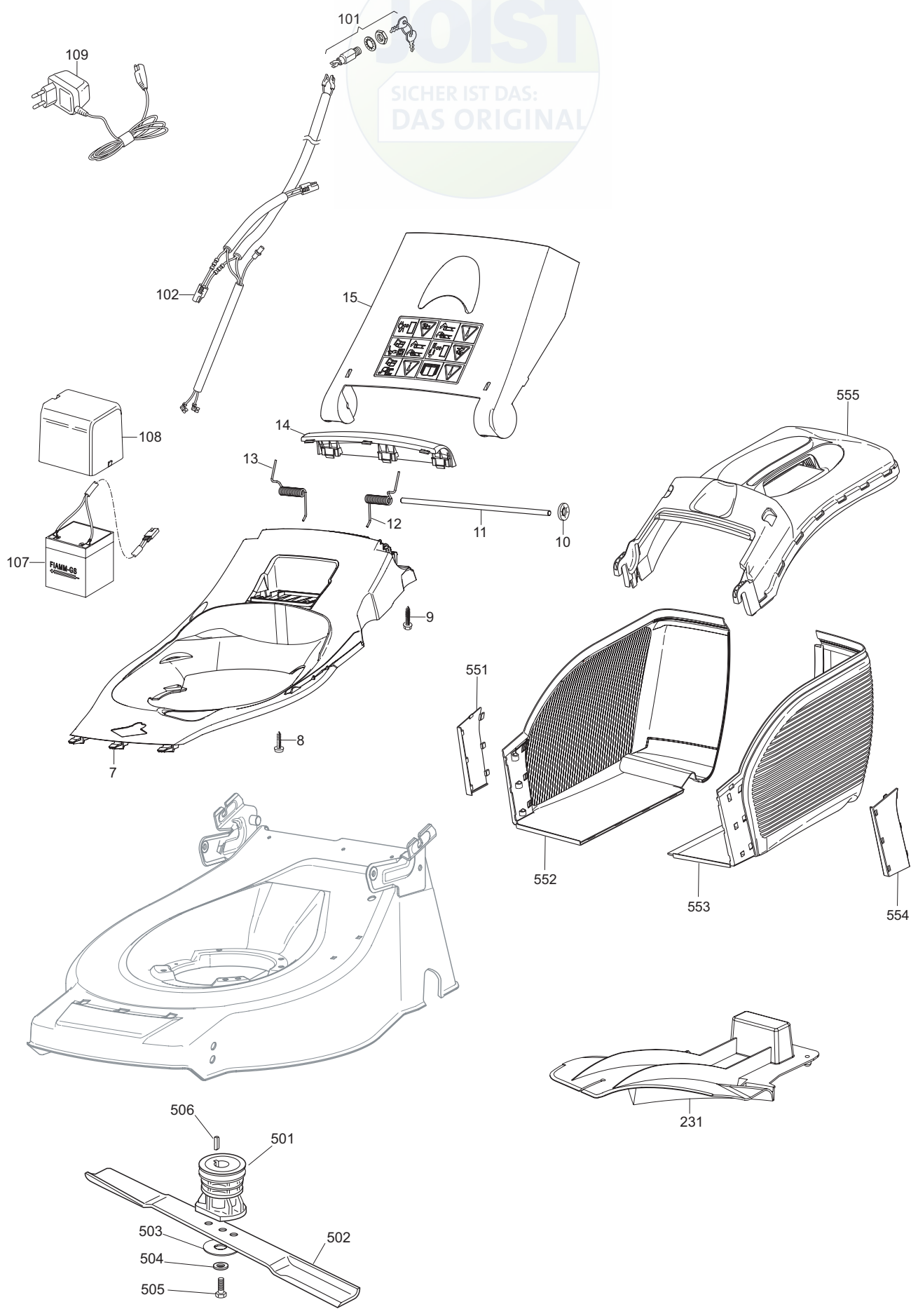


JOIST  
SICHER IST DAS.  
DA ORIGINAL



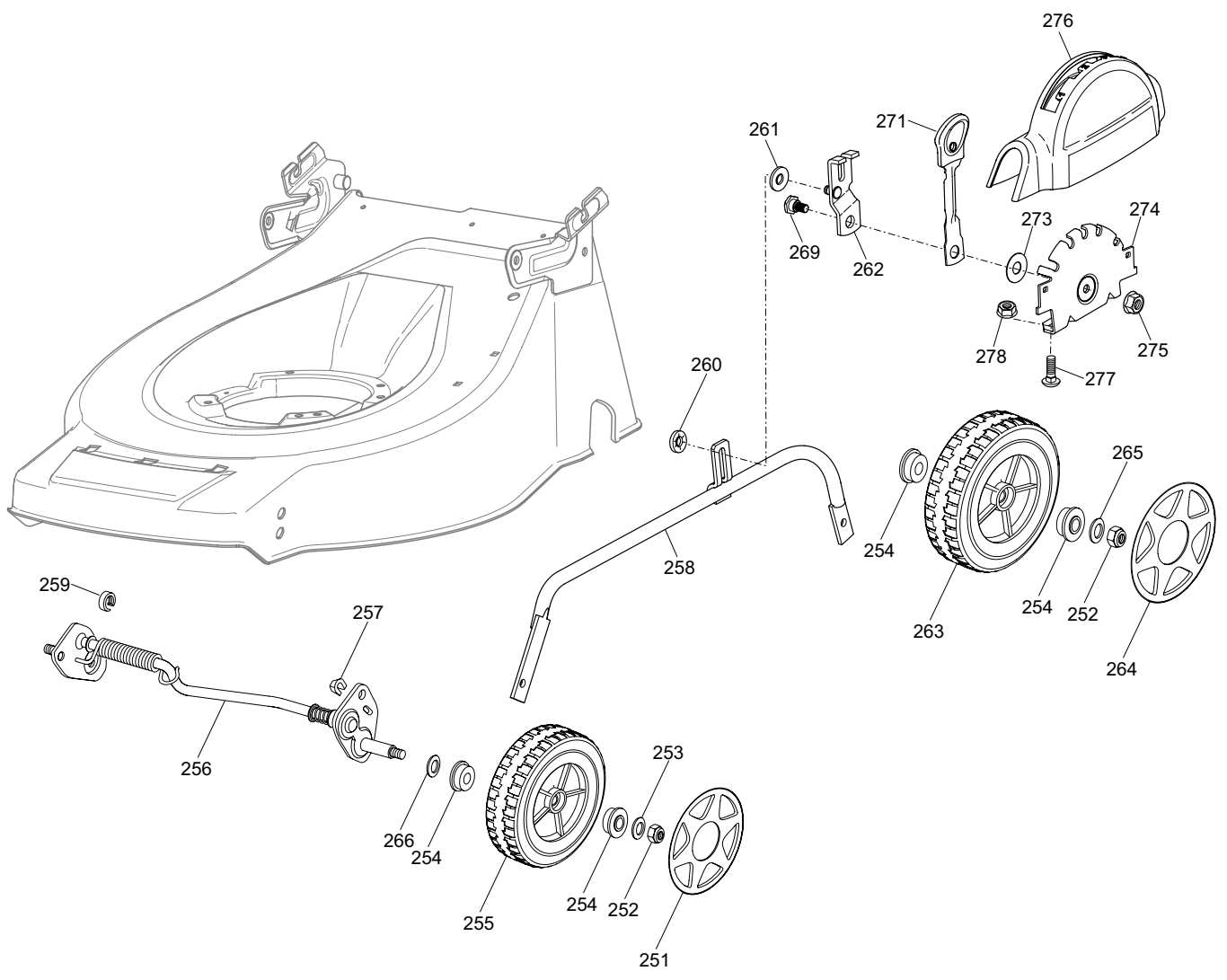
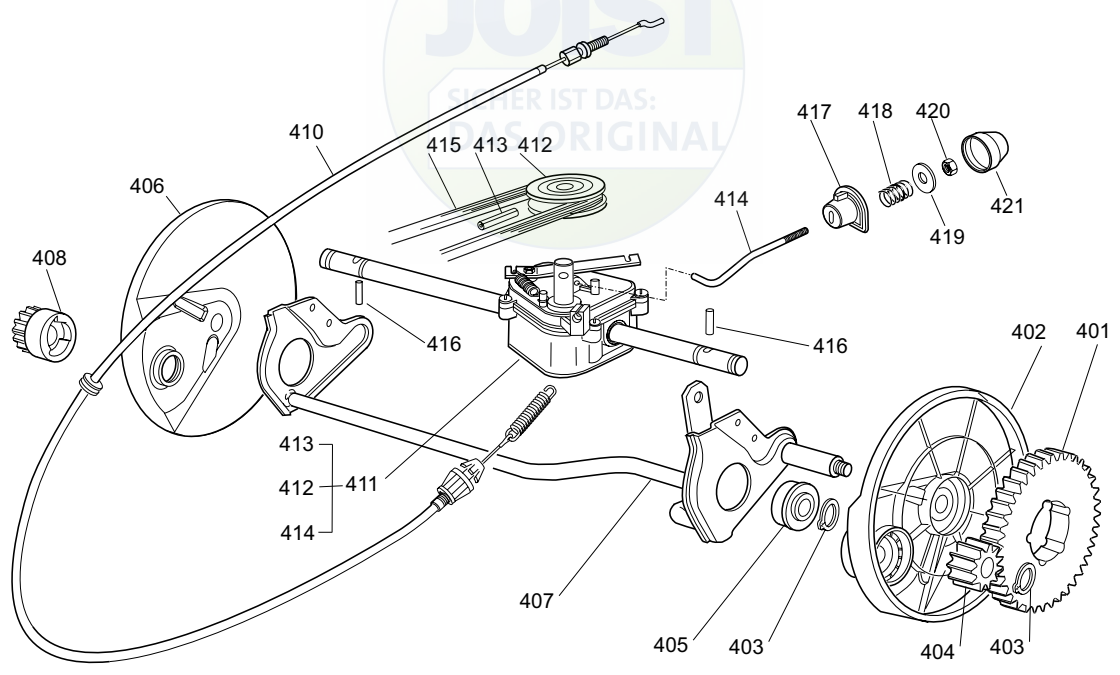
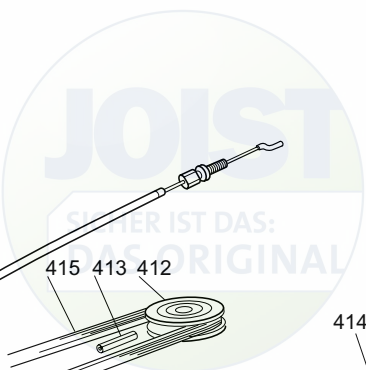


| Ausgabe<br>Issue<br>2006- 1 |                 | Bild Nr<br>Picture No<br>B105 |  | VARIOLUX 53 BC AE<br>CHASSIE<br>HOLM |                        | VARIOLUX 53 BC AE<br>CHASSIS<br>HANDLE |                          | Seite<br>Page<br>54 |                    |
|-----------------------------|-----------------|-------------------------------|--|--------------------------------------|------------------------|--|--------------------------|---------------------|--------------------|
| Pos.<br>Fig.                | Anzahl/Quantity |                               |  |                                      | Artikel Nr.<br>Part No | Bezeichnung                            | Description              | Satz<br>Kit         | Anmerkung<br>Notes |
|                             |                 |                               |  |                                      |                        |  |                          |                     |                    |
|                             | 1               |                               |  |                                      | 1136-1754-01           | Gehäuse.....                           | Deck.....                |                     |                    |
|                             | 2               | 3                             |  |                                      | 1136-0615-01           | Schraube .....                         | Screw.....               |                     |                    |
|                             | 3               | 1                             |  |                                      | 1136-0645-01           | Schutz .....                           | Protection .....         |                     |                    |
|                             | 4               | 4                             |  |                                      | 9847-8119-16           | Schraube .....                         | Screw.....               |                     |                    |
|                             | 5               | 2                             |  |                                      | 1136-0682-01           | Platte .....                           | Plate.....               |                     |                    |
|                             | 6               | 1                             |  |                                      | 1136-0665-01           | Gummieinsatz.....                      | Rubber insert .....      |                     |                    |
|                             | 16              | 2                             |  |                                      | 1136-0061-01           | Propfen.....                           | Cap.....                 |                     |                    |
|                             | 17              | 1                             |  |                                      | 1136-1761-01           | Holm- Unterteil .....                  | Handle- lower .....      |                     |                    |
|                             | 18              | 1                             |  |                                      | 1136-1765-01           | Holmrohr .....                         | Handle tube .....        |                     |                    |
|                             | 19              | 1                             |  |                                      | 1136-1763-01           | Holm- Oberteil .....                   | Handle- upper.....       |                     |                    |
|                             | 20              | 1                             |  |                                      | 1136-1716-01           | Handgriff .....                        | Handgrip .....           |                     |                    |
|                             | 21              | 2                             |  |                                      | 1136-1733-01           | Bolzen.....                            | Pin .....                |                     |                    |
|                             | 22              | 2                             |  |                                      | 9675-0012-02           | Verriegelungsscheibe .....             | Locking washer.....      |                     |                    |
|                             | 23              | 4                             |  |                                      | 1136-1755-01           | Hebel .....                            | Handle lever .....       |                     |                    |
|                             | 24              | 4                             |  |                                      | 1136-1738-01           | Scheibe.....                           | Washer.....              |                     |                    |
|                             | 25              | 4                             |  |                                      | 1136-0309-01           | Scheibe.....                           | Washer.....              |                     |                    |
|                             | 26              | 4                             |  |                                      | 1136-1721-01           | Schloßrad .....                        | Locking knob .....       |                     |                    |
|                             | 27              | 4                             |  |                                      | 9799-0831-02           | Mutter .....                           | Nut .....                |                     |                    |
|                             | 28              | 2                             |  |                                      | 1136-1746-01           | Gummistopfen.....                      | Cap.....                 |                     |                    |
|                             | 29              | 2                             |  |                                      | 1136-1709-01           | Ringmutter .....                       | Ring nut .....           |                     |                    |
|                             | 30              | 2                             |  |                                      | 1136-1708-01           | Griff .....                            | Knob .....               |                     |                    |
| X                           | 31              | 2                             |  |                                      | 1136-1982-01           | Schraube .....                         | Screw.....               |                     |                    |
|                             | 32              | 1                             |  |                                      | 1136-1720-01           | Griff- untere .....                    | Knob- lower.....         |                     |                    |
|                             | 33              | 1                             |  |                                      | 1136-1719-01           | Griff- obere .....                     | Knob- upper .....        |                     |                    |
|                             | 34              | 1                             |  |                                      | 1136-1762-01           | Holmrohr .....                         | Handle tube.....         |                     |                    |
|                             | 35              | 2                             |  |                                      | 9997-0830-16           | Schraube .....                         | Screw.....               | L = 30 mm           |                    |
|                             | 36              | 2                             |  |                                      | 9739-0831-22           | Mutter .....                           | Nut .....                | L = 60 mm           |                    |
|                             | 37              | 1                             |  |                                      | 9997-0860-16           | Schraube .....                         | Screw.....               |                     |                    |
|                             | 38              | 1                             |  |                                      | 9699-0090-02           | Scheibe.....                           | Flat washer.....         |                     |                    |
|                             | 39              | 1                             |  |                                      | 9747-0831-02           | Mutter.....                            | Lock nut.....            |                     |                    |
|                             | 40              | 2                             |  |                                      | 1136-1722-01           | Seilführer.....                        | Guide spring .....       |                     |                    |
|                             | 41              | 1                             |  |                                      | 1136-1752-01           | Motorbremsdraht .....                  | Engine brake cable ..... |                     |                    |
|                             | 42              | 1                             |  |                                      | 1136-1343-01           | Seilöse .....                          | Rope guide.....          |                     |                    |
|                             | 43              | 1                             |  |                                      | 9747-0531-02           | Mutter .....                           | Nut .....                |                     |                    |
|                             | 45              | 1                             |  |                                      | 9699-0028-02           | Scheibe.....                           | Flat washer.....         |                     |                    |
|                             | 46              | 1                             |  |                                      | 1136-1680-01           | Schraube .....                         | Screw.....               |                     |                    |
|                             | 47              | 1                             |  |                                      | 1136-1747-01           | Deckel.....                            | Cap.....                 |                     |                    |
| X                           | 51              | 6                             |  |                                      | 1136-1982-01           | Schraube .....                         | Screw.....               |                     |                    |
|                             | 52              | 1                             |  |                                      | 1136-1710-01           | Schutz .....                           | Protection .....         |                     |                    |
|                             | 53              | 1                             |  |                                      | 1136-1743-01           | Stütz .....                            | Support.....             |                     |                    |
|                             | 54              | 2                             |  |                                      | 1136-1744-01           | Stütz .....                            | Support.....             |                     |                    |
|                             | 55              | 4                             |  |                                      | 9836-9116-12           | Schraube .....                         | Screw.....               |                     |                    |
|                             | 56              | 1                             |  |                                      | 1136-1717-01           | Regulierbügel .....                    | Control lever .....      |                     |                    |
|                             | 57              | 1                             |  |                                      | 1136-1712-01           | Schutz .....                           | Protection .....         |                     |                    |
|                             | 58              | 2                             |  |                                      | 1136-1692-01           | Deckel.....                            | Cap.....                 |                     |                    |
|                             | 59              | 2                             |  |                                      | 1136-1734-01           | Deckel.....                            | Cover plate.....         |                     |                    |
|                             | 60              | 1                             |  |                                      | 1136-1718-01           | Regulierbügel .....                    | Control lever .....      |                     |                    |
|                             | 63              | 1                             |  |                                      | 1136-1742-01           | Stütz .....                            | Support.....             |                     |                    |
|                             | 103             | 1                             |  |                                      | 1136-1715-01           | Schutz .....                           | Protection .....         |                     |                    |
|                             | 104             | 1                             |  |                                      | 1136-1711-01           | Schutz .....                           | Protection .....         |                     |                    |
|                             | 105             | 2                             |  |                                      | 1136-1692-01           | Deckel.....                            | Cap.....                 |                     |                    |
| X                           | 106             | 4                             |  |                                      | 1136-1982-01           | Schraube .....                         | Screw.....               |                     |                    |
|                             | 111             | 1                             |  |                                      | 1136-1768-01           | Schraubensatz.....                     | Screw set .....          |                     |                    |





| Ausgabe<br>Issue<br>2006- 1 |                 | Bild Nr<br>Picture No<br>B112 |  | VARIOLUX 53 BCAE<br>MESSER<br>GRASFANGKORB |                        | VARIOLUX 53 BCAE<br>BLADE<br>GRASS BOX |                          | Seite<br>Page<br>56 |                    |
|-----------------------------|-----------------|-------------------------------|--|--|------------------------|--|--------------------------|---------------------|--------------------|
| Pos.<br>Fig.                | Anzahl/Quantity |                               |  |  | Artikel Nr.<br>Part No | Bezeichnung                            | Description              | Satz<br>Kit         | Anmerkung<br>Notes |
|                             |                 |                               |  |  |                        |  |                          |                     |                    |
| 7                           | 1               |                               |  |  | 1136-1697-01           | Haube .....                            | Cover .....              |                     |                    |
| 8                           | 2               |                               |  |  | 1117-3226-01           | Schraube .....                         | Screw .....              |                     |                    |
| 9                           | 3               |                               |  |  | 1136-1458-01           | Schraube .....                         | Screw .....              |                     |                    |
| 10                          | 2               |                               |  |  | 9675-0012-02           | Verriegelungsscheibe .....             | Locking washer .....     |                     |                    |
| 11                          | 1               |                               |  |  | 1136-1731-01           | Stange .....                           | Rod .....                |                     |                    |
| 12                          | 1               |                               |  |  | 1136-1723-01           | Feder- links .....                     | Spring- LH .....         |                     |                    |
| 13                          | 1               |                               |  |  | 1136-1724-01           | Feder- rechts .....                    | Spring- RH .....         |                     |                    |
| 14                          | 1               |                               |  |  | 1136-1698-01           | Halter .....                           | Support .....            |                     |                    |
| 15                          | 1               |                               |  |  | 1136-1736-01           | Klappe .....                           | Rear flap .....          |                     |                    |
| 101                         | 1               |                               |  |  | 1136-0627-01           | Schalter .....                         | Switch .....             |                     |                    |
| 102                         | 1               |                               |  |  | 1136-1684-01           | Kabelbündel .....                      | Wire harness .....       |                     |                    |
| 107                         | 1               |                               |  |  | 1136-1320-01           | Batterie .....                         | Battery .....            |                     |                    |
| 108                         | 1               |                               |  |  | 1136-1334-01           | Deckel .....                           | Cover .....              |                     |                    |
| 109                         | 1               |                               |  |  | 1136-1321-01           | Ladegerät .....                        | Charger .....            |                     |                    |
| 231                         | 1               |                               |  |  | 1136-0656-01           | Deflektor .....                        | Deflector .....          |                     |                    |
| 501                         | 1               |                               |  |  | 1111-9744-01           | Nabe m. Scheibe .....                  | Hub w. pulley .....      |                     |                    |
| 502                         | 1               |                               |  |  | 1111-9726-01           | Messer .....                           | Blade .....              |                     |                    |
| 503                         | 1               |                               |  |  | 1136-0083-01           | Federscheibe .....                     | Elastic washer .....     |                     |                    |
| 504                         | 1               |                               |  |  | 1136-0015-01           | Scheibe .....                          | Washer .....             |                     |                    |
| 505                         | 1               |                               |  |  | 9987-5251-12           | Schraube .....                         | Screw .....              |                     |                    |
| 506                         | 1               |                               |  |  | 9600-0014-00           | Keil .....                             | Key .....                |                     |                    |
| 551                         | 1               |                               |  |  | 1136-1729-01           | Profil- rechts .....                   | Profile- RH .....        |                     |                    |
| 552                         | 1               |                               |  |  | 1136-1727-01           | Graskorb- rechts .....                 | Grassbox lower- RH ..... |                     |                    |
| 553                         | 1               |                               |  |  | 1136-1728-01           | Graskorb- links .....                  | Grassbox lower- LH ..... |                     |                    |
| 554                         | 1               |                               |  |  | 1136-1730-01           | Profil- links .....                    | Profile- LH .....        |                     |                    |
| 555                         | 1               |                               |  |  | 1136-1726-01           | Graskorb- Oberteil .....               | Grassbox- upper .....    |                     |                    |





| Ausgabe<br>Issue<br>2006- 1 |                 | Bild Nr<br>Picture No<br>B103 |  | VARIOLUX 53 BCAE<br>RADAUFHÄNGUNG<br>GETRIEBE |                        | VARIOLUX 53 BCAE<br>WHEEL SUSPENSION<br>TRANSMISSION |                            | Seite<br>Page<br>58 |                    |
|-----------------------------|-----------------|-------------------------------|--|---|------------------------|--|----------------------------|---------------------|--------------------|
| Pos.<br>Fig.                | Anzahl/Quantity |                               |  |   | Artikel Nr.<br>Part No | Bezeichnung  | Description                | Satz<br>Kit         | Anmerkung<br>Notes |
|                             |                 |                               |  |   |                        |  |                            |                     |                    |
| 251                         | 2               |                               |  |   | 1136-1701-01           | Radkappe- grau .....                                 | Hub cap- grey .....        |                     |                    |
| 252                         | 4               |                               |  |   | 9747-0831-02           | Mutter .....   | Lock nut .....             |                     |                    |
| 253                         | 2               |                               |  |   | 9699-0090-02           | Scheibe .....  | Flat washer .....          |                     |                    |
| 254                         | 8               |                               |  |   | 1136-0655-01           | Kugellager .....                                     | Ball bearing .....         |                     |                    |
| 255                         | 2               |                               |  |   | 1136-1520-01           | Rad .....  | Wheel .....                |                     |                    |
| 256                         | 1               |                               |  |   | 1136-0712-01           | Vorderradachse .....                                 | Front wheel axle .....     |                     |                    |
| 257                         | 2               |                               |  |   | 1136-0009-01           | Schließplatte .....                                  | Lock plate .....           |                     |                    |
| 258                         | 1               |                               |  |   | 1136-1758-01           | Höhenverstellstange .....                            | Height adjust rod .....    |                     |                    |
| 259                         | 1               |                               |  |   | 1136-0658-01           | Distanzring .....                                    | Spacer .....               |                     |                    |
| 260                         | 1               |                               |  |   | 9675-0009-02           | Verriegelungsscheibe .....                           | Starlock .....             |                     |                    |
| 261                         | 1               |                               |  |   | 1136-0006-01           | Federscheibe .....                                   | Elastic washer .....       |                     |                    |
| 262                         | 1               |                               |  |   | 1136-1757-01           | Halter .....   | Attachment .....           |                     |                    |
| 263                         | 2               |                               |  |   | 1136-0772-01           | Rad .....  | Wheel .....                |                     |                    |
| 264                         | 2               |                               |  |   | 1136-1702-01           | Radkappe- grau .....                                 | Hub cap- grey .....        |                     |                    |
| 265                         | 2               |                               |  |   | 1136-0006-01           | Federscheibe .....                                   | Elastic washer .....       |                     |                    |
| 266                         | 2               |                               |  |   | 1136-0609-01           | Elastische Scheibe .....                             | Elastic washer .....       |                     |                    |
| 269                         | 1               |                               |  |   | 1136-1732-01           | Schulterschraube .....                               | Shoulder bolt .....        |                     |                    |
| 271                         | 1               |                               |  |   | 1136-1756-01           | Höhenverstellhebel .....                             | Height adjust lever .....  |                     |                    |
| 273                         | 1               |                               |  |   | 1136-0089-01           | Scheibe .....  | Washer .....               |                     |                    |
| 274                         | 1               |                               |  |   | 1136-1740-01           | Sektor .....   | Height adjust sector ..... |                     |                    |
| 275                         | 1               |                               |  |   | 9739-0831-22           | Mutter .....   | Nut .....                  |                     |                    |
| 276                         | 1               |                               |  |   | 1136-1693-01           | Deckel .....   | Cover .....                |                     |                    |
| 277                         | 2               |                               |  |   | 9898-0616-16           | Schraube .....                                       | Screw .....                |                     |                    |
| 278                         | 2               |                               |  |   | 9739-0631-22           | Mutter .....   | Nut .....                  |                     |                    |
| 401                         | 2               |                               |  |   | 1136-0653-01           | Kranz .....  | Ring gear .....            |                     |                    |
| 402                         | 1               |                               |  |   | 1136-0690-01           | Radschutz- links .....                               | Wheel protection- LH ..... |                     |                    |
| 403                         | 4               |                               |  |   | 9650-0012-04           | Seegersicherung .....                                | Circlip .....              |                     |                    |
| 404                         | 1               |                               |  |   | 1136-0685-01           | Ritzel- links .....                                  | Pinion- LH .....           |                     |                    |
| 405                         | 2               |                               |  |   | 1136-0632-01           | Lager .....  | Bearing .....              |                     |                    |
| 406                         | 1               |                               |  |   | 1136-0689-01           | Radschutz- rechts .....                              | Wheel protection- RH ..... |                     |                    |
| 407                         | 1               |                               |  |   | 1136-0713-01           | Hinterradachse .....                                 | Rear wheel axle .....      |                     |                    |
| 408                         | 1               |                               |  |   | 1136-0684-01           | Ritzel- rechts .....                                 | Pinion- RH .....           |                     |                    |
| 410                         | 1               |                               |  |   | 1136-1748-01           | Kupplungsdraht .....                                 | Clutch cable .....         |                     |                    |
| 411                         | 1               |                               |  |   | 1136-1456-01           | Getriebe Kpl (schw) .....                            | Gearbox assy (black) ..... |                     |                    |
| 412                         | 1               |                               |  |   | 1136-0692-01           | Riemenscheibe .....                                  | Pulley .....               |                     |                    |
| 413                         | 1               |                               |  |   | 1136-0612-01           | Stift .....  | Pin .....                  |                     |                    |
| 414                         | 1               |                               |  |   | 1136-1454-01           | Verstellstange .....                                 | Adjustment rod .....       |                     |                    |
| 415                         | 1               |                               |  |   | 1111-9746-01           | Riemen .....   | Belt .....                 |                     |                    |
| 416                         | 2               |                               |  |   | 1136-0697-01           | Stift .....  | Pin .....                  |                     |                    |
| 417                         | 1               |                               |  |   | 1136-0638-01           | Buchse .....   | Bush .....                 |                     |                    |
| 418                         | 1               |                               |  |   | 1136-0668-01           | Feder .....  | Spring .....               |                     |                    |
| 419                         | 1               |                               |  |   | 1136-0091-01           | Scheibe .....  | Washer .....               |                     |                    |
| 420                         | 1               |                               |  |   | 9747-0631-02           | Mutter .....   | Lock nut .....             |                     |                    |
| 421                         | 1               |                               |  |   | 1136-0081-01           | Nabenkapsel .....                                    | Hub cap .....              |                     |                    |