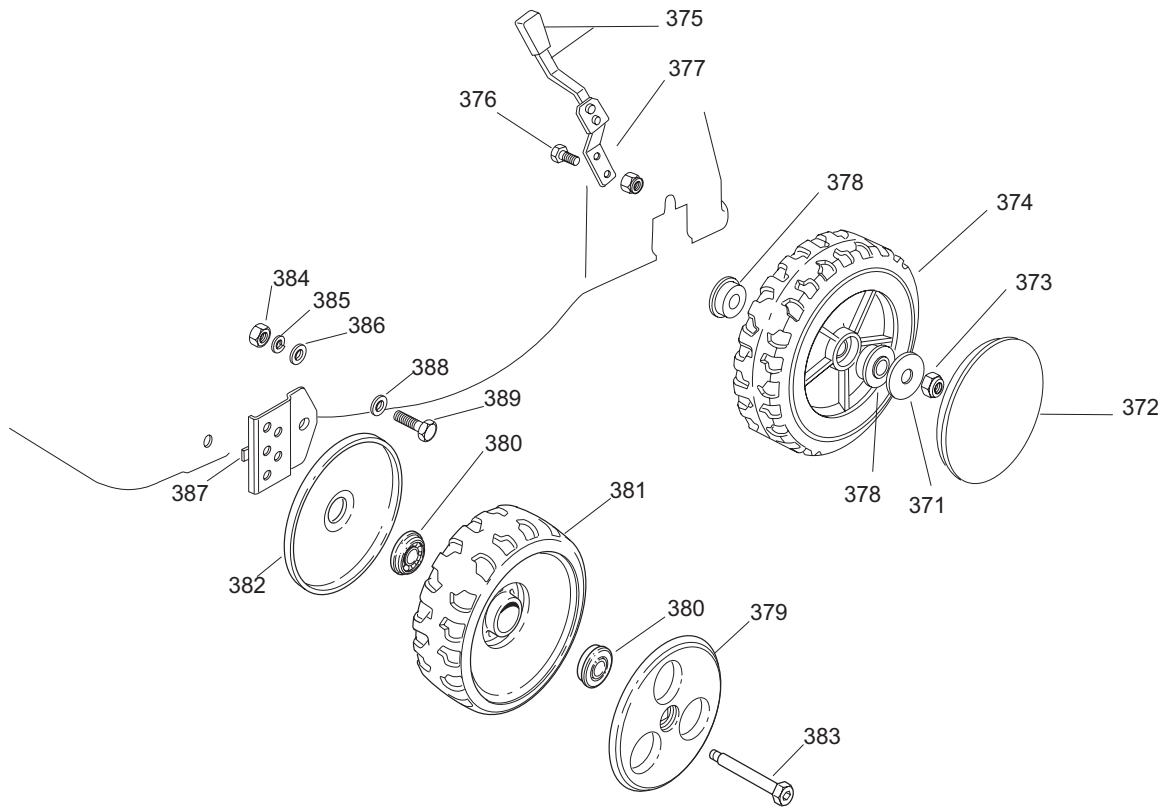
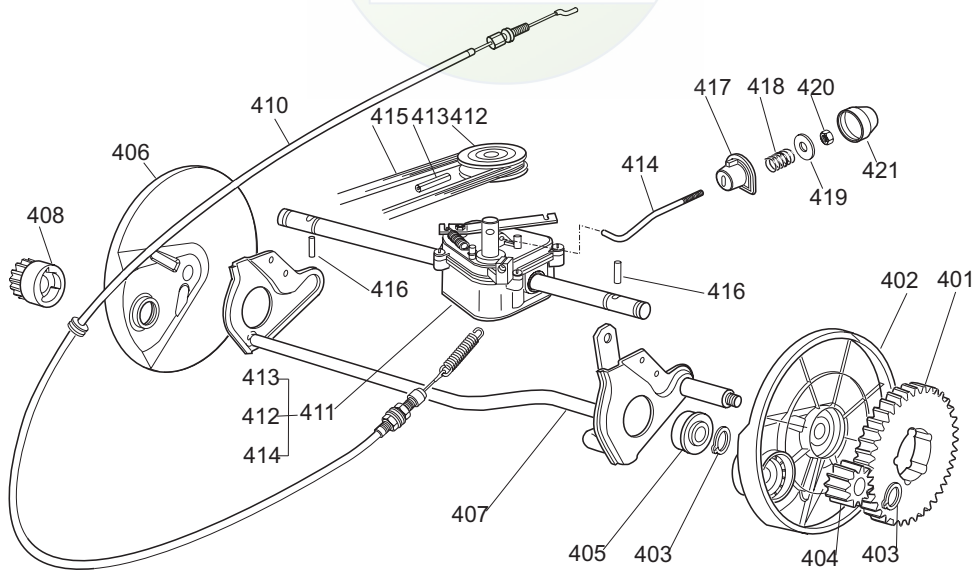




| Ausgabe Issue 2005- 1 | | Bild Nr Picture No B097 | | HANSEATIC 46 BA CMI 46 BA CHASSIE HOLM | | HANSEATIC 46 BA CMI 46 BA CHASSIS HANDLE | | Seite Page 14 | |
|-----------------------------|-----------------|-------------------------------|--|---|------------------------|---|--------------------------|---------------------|--------------------|
| Pos. Fig. | Anzahl/Quantity | | | | Artikel Nr. Part No | Bezeichnung | Description | Satz Kit | Anmerkung Notes |
| | | | | | | | | | |
| X | 1 | 1 | | | 1136-1619-01 | Chassie- grün..... | Deck- green..... | | |
| | 2 | 3 | | | 9997-0830-16 | Schraube | Screw | | |
| | 3 | 2 | | | 9997-0816-16 | Schraube | Screw | | |
| | 4 | 4 | | | 1136-0637-01 | Buchse..... | Bush..... | | |
| | 5 | 2 | | | 9747-0831-02 | Mutter..... | Lock nut..... | | |
| | 6 | 2 | | | 1136-0617-01 | Schraube | Screw..... | | |
| | 7 | 4 | | | 1136-0666-01 | Griff | Knob | | |
| | 8 | 4 | | | 9799-0831-02 | Mutter | Nut | | |
| | 9 | 1 | | | 1136-0758-01 | Holm- Unterteil | Handle- lower | | |
| | 10 | 1 | | | 1136-0620-01 | Schraube | Screw | | |
| | 10A | 1 | | | 1136-0747-01 | Schraube m. Öse | Screw w. loop | | |
| | 11 | 2 | | | 1136-0693-01 | Scheibe..... | Washer..... | | |
| | 12 | 3 | | | 9739-0831-22 | Mutter | Nut | | |
| | 16 | 1 | | | 1136-0670-01 | Feder- rechts..... | Spring- RH | | |
| | 17 | 1 | | | 1136-0686-01 | Prallblech..... | Stone guard | | |
| | 18 | 1 | | | 1136-0671-01 | Feder- links | Spring- LH..... | | |
| | 19 | 1 | | | 1136-0680-01 | Pivotachse..... | Pivot pin..... | | |
| | 39 | 2 | | | 1136-0682-01 | Platte | Plate | | |
| | 40 | 4 | | | 9847-8119-16 | Schraube | Screw | | |
| X | 41 | 1 | | | 1136-1599-01 | Riemenschutz..... | Belt protection..... | | |
| | 42 | 1 | | | 1136-0614-01 | Schraube | Screw | | |
| | 43 | 1 | | | 1136-0603-01 | Sprengring..... | Snap ring | | |
| X | 45 | 1 | | | 1136-1632-01 | Schraubensatz | Screw outfit..... | | |
| X | 171 | 1 | | | 1136-1629-01 | Holm- Oberteil | Handle- upper..... | | |
| | 172 | 2 | | | 9595-0258-00 | Spannstift | Locating pin | | |
| | 173 | 1 | | | 1117-3221-01 | Regulierbügel | OPC lever | | |
| X | 174 | 1 | | | 1136-1615-01 | Motorbremsdraht | Engine brake cable | | |
| X | 175 | 1 | | | 1136-1616-01 | Kupplungsdraht..... | Drive cable | | |
| X | 176 | 1 | | | 1136-1591-01 | Schraube | Screw | | |
| X | 177 | 1 | | | 1136-1613-01 | Drahthalter..... | Cable support..... | | |
| | 178 | 1 | | | 1117-3222-01 | Regulierbügel | Control lever | | |
| X | 501 | 1 | | | 1111-9744-01 | Nabe m. Scheibe..... | Hub w. pulley | | |
| X | 502 | 1 | | | 1111-9740-01 | Messer..... | Blade | | |
| | 503 | 1 | | | 1136-0083-01 | Federscheibe | Elastic washer | | |
| | 504 | 1 | | | 1136-0015-01 | Scheibe..... | Washer..... | | |
| | 505 | 1 | | | 9987-5251-12 | Schraube | Screw | | |
| | 506 | 1 | | | 9600-0014-00 | Keil | Key | | |
| | 552 | 1 | | | 1136-0676-01 | Grasskorb- Oberteil..... | Grass box- upper..... | | |
| | 553 | 1 | | | 1136-0677-01 | Grasskorb- Unterteil..... | Grass box- lower..... | | |

BI. CI. DI.



B098



| Ausgabe Issue 2005- 1 | | Bild Nr Picture No B098 | | HANSEATIC 46 BA CMI 46 BA GETRIEBE RADAUFHÄNGUNG | | HANSEATIC 46 BA CMI 46 BA TRANSMISSION WHEEL SUSPENSION | | Seite Page 16 | |
|-----------------------------|-----------------|-------------------------------|--|---|------------------------|--|----------------------------|---------------------|--------------------|
| Pos. Fig. | Anzahl/Quantity | | | | Artikel Nr. Part No | Bezeichnung | Description | Satz Kit | Anmerkung Notes |
| | | | | | | | | | |
| X 371 | 2 | | | | 9699-0056-02 | Scheibe..... | Flat washer..... | | |
| 372 | 2 | | | | 1136-1601-01 | Radkappe- weiß | Hub cap- white | | |
| 373 | 2 | | | | 9747-0831-02 | Mutter..... | Lock nut..... | | |
| 374 | 2 | | | | 1136-0772-01 | Rad | Wheel..... | | |
| 375 | 1 | | | | 1136-0742-01 | Höhenverstellhebel | Height adjust lever | | |
| 376 | 2 | | | | 9997-0512-16 | Schraube | Screw..... | | |
| 377 | 2 | | | | 9747-0531-02 | Mutter | Nut..... | | |
| 378 | 4 | | | | 1136-0655-01 | Lager | Bearing..... | | |
| 379 | 2 | | | | 1117-3224-02 | Nabenkapsel- weiß..... | Hub cap- white | | |
| 380 | 4 | | | | 1117-3012-01 | Lagerbuchse..... | Wheel bush..... | | |
| 381 | 2 | | | | 1111-3163-01 | Rad..... | Wheel..... | | |
| 382 | 2 | | | | 1117-1161-01 | Radschutz..... | Wheel protection..... | | |
| 383 | 2 | | | | 1117-3223-01 | Ansatzbolzen | Shoulder bolt | | |
| 384 | 2 | | | | 9799-0831-02 | Mutter | Nut..... | | |
| 385 | 2 | | | | 9683-0030-02 | Scheibe..... | Lock washer..... | | |
| X 386 | 2 | | | | 1136-0014-01 | Scheibe..... | Washer..... | | |
| X 387 | 2 | | | | 1136-1608-01 | Radblech | Wheel plate | | |
| 388 | 2 | | | | 9699-0028-02 | Scheibe..... | Flat washer..... | | |
| 389 | 2 | | | | 9997-0820-16 | Schraube | Screw..... | | |
| 401 | 2 | | | | 1136-0653-01 | Kranz | Ring gear | | |
| 402 | 1 | | | | 1136-0690-01 | Radschutz- links | Wheel protection- LH | | |
| 403 | 4 | | | | 9650-0012-04 | Seegersicherung..... | Circlip..... | | |
| 404 | 1 | | | | 1136-0685-01 | Ritzel- links | Pinion- LH | | |
| 405 | 2 | | | | 1136-0632-01 | Lager | Bearing..... | | |
| 406 | 1 | | | | 1136-0689-01 | Radschutz- rechts..... | Wheel protection- RH..... | | |
| 407 | 1 | | | | 1136-0713-01 | Hinterradachse | Rear wheel axle..... | | |
| 408 | 1 | | | | 1136-0684-01 | Ritzel- rechts..... | Pinion- RH..... | | |
| 410 | 1 | | | | 1136-1455-01 | Kupplungsdraht..... | Clutch cable | | |
| 411 | 1 | | | | 1136-1457-01 | Getriebe Kpl (grau) | Gearbox assy (grey)..... | | |
| 412 | 1 | | | | 1136-0692-01 | • Riemenscheibe | • Pulley | | |
| 413 | 1 | | | | 1136-0612-01 | • Stift..... | • Pin..... | | |
| 414 | 1 | | | | 1136-0633-01 | • Verstellstange | • Adjustment rod | | |
| X 415 | 1 | | | | 1111-9747-01 | Riemen | Belt..... | | |
| 416 | 2 | | | | 1136-0697-01 | Stift..... | Pin | | |
| 417 | 1 | | | | 1136-0638-01 | Buchse..... | Bush..... | | |
| 418 | 1 | | | | 1136-0668-01 | Feder | Spring | | |
| 419 | 1 | | | | 1136-0091-01 | Scheibe..... | Washer..... | | |
| 420 | 1 | | | | 9747-0631-02 | Mutter | Lock nut..... | | |
| 421 | 1 | | | | 1136-0081-01 | Nabenkapsel..... | Hub cap..... | | |