



[www.stiga.com](http://www.stiga.com)

# Illustrated Parts List

for model:

**SBC 653 KD**

- Use GLOBAL GARDEN PRODUCT genuine spare parts specified in the parts list for repair and/or replacement.
- Then contents described in the parts list may change due to improvement.
- The drawings of the spare part are only indicative and might not represent the part in question exactly.
- The indications "right" - "left" - "front" - "rear" refer to the position of the operator when using the machine.
- When placing orders of parts for repair and/or replacement, make sure that the illustrated parts list is the one applying to the machine's year of manufacture, as shown on the identification plate attached to the machine.

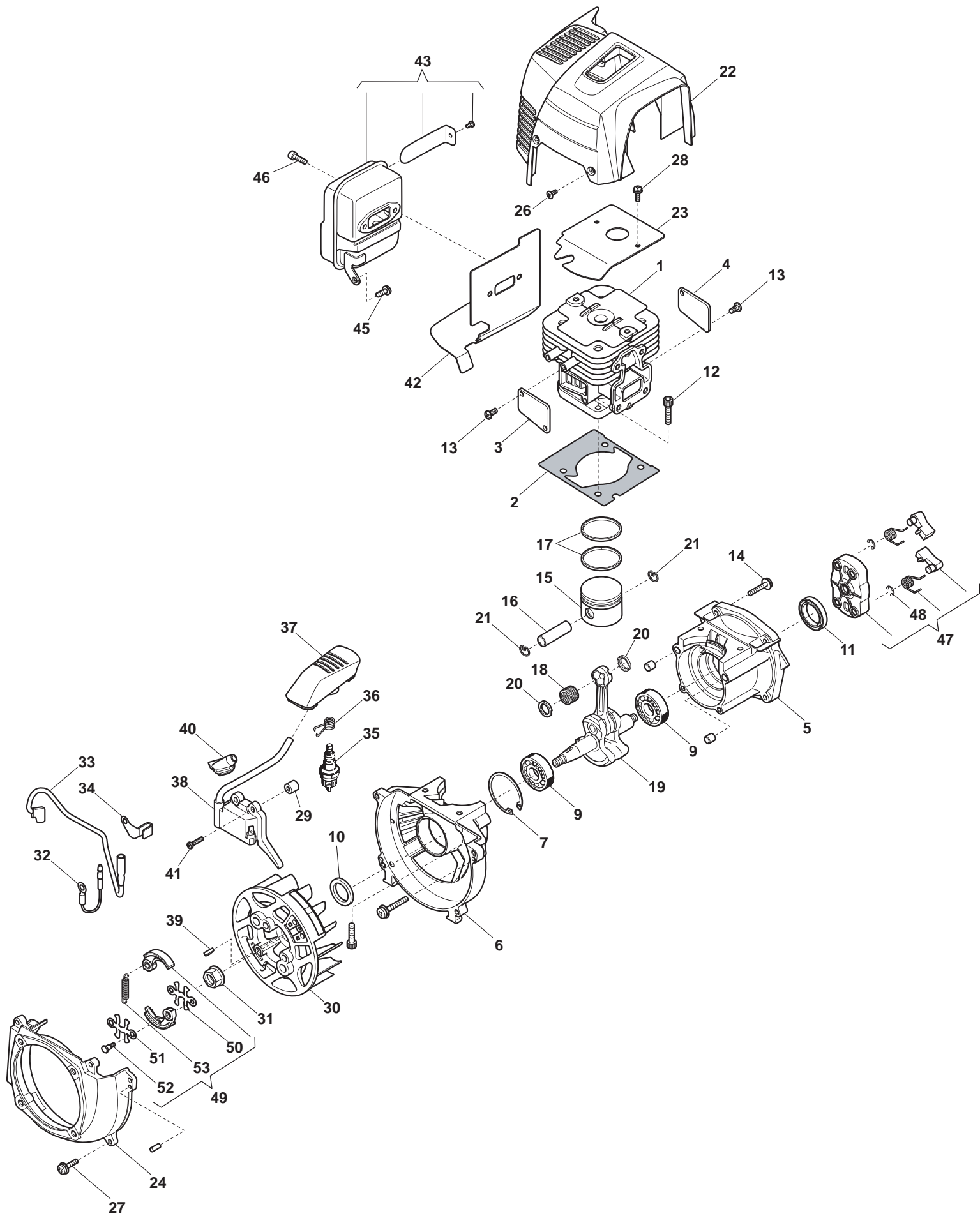
© Copyright 2014 Global Garden Products

All content is subject to copyright by Global Garden Products and may not be reproduced in whole or in part by any means, electronic or otherwise, without prior written approval.

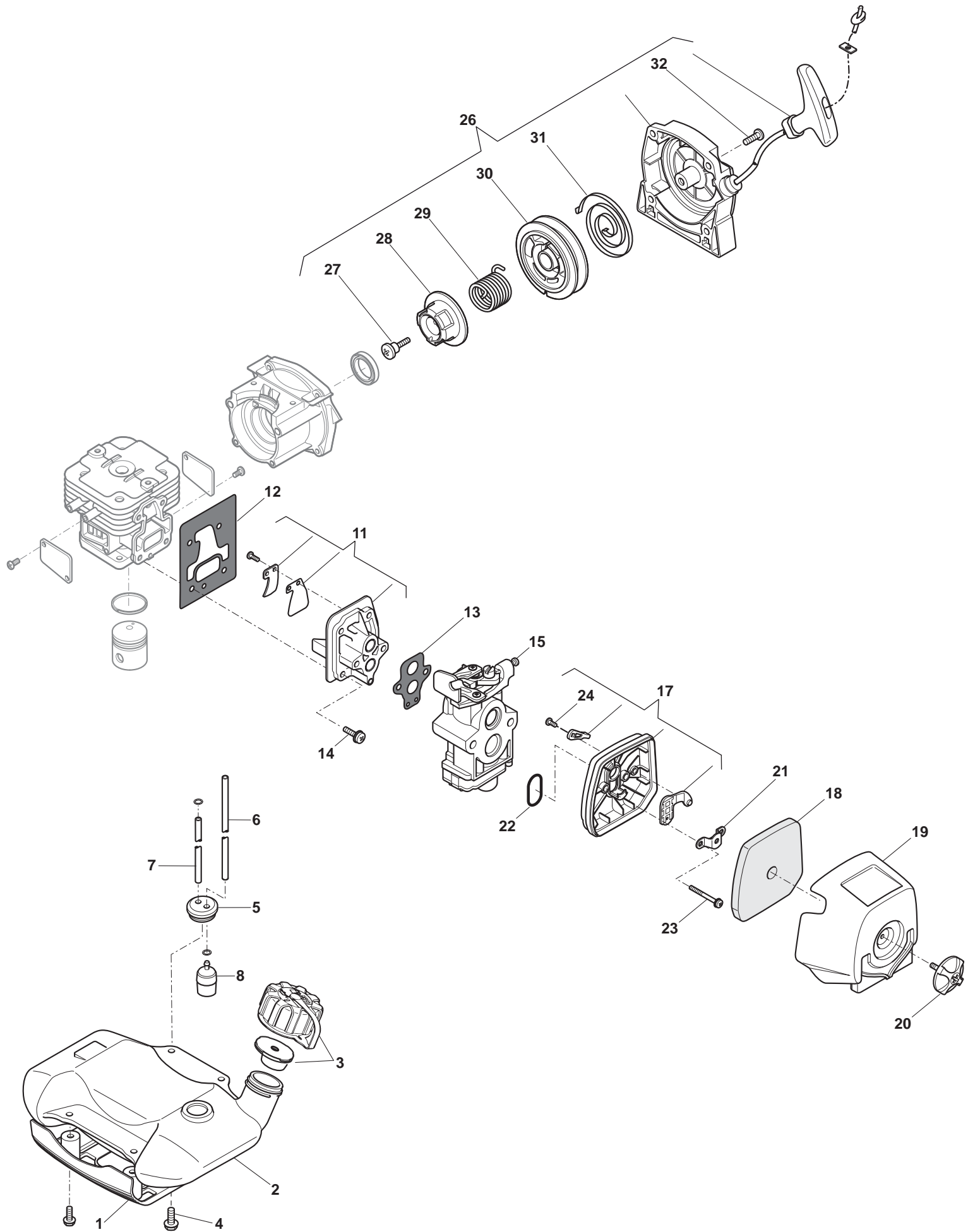
THIS INFORMATION IS NOT INTENDED FOR SALE OR RESALE, AND THIS NOTICE MUST REMAIN ON ALL COPIES.

[www.ggp-group.com](http://www.ggp-group.com)

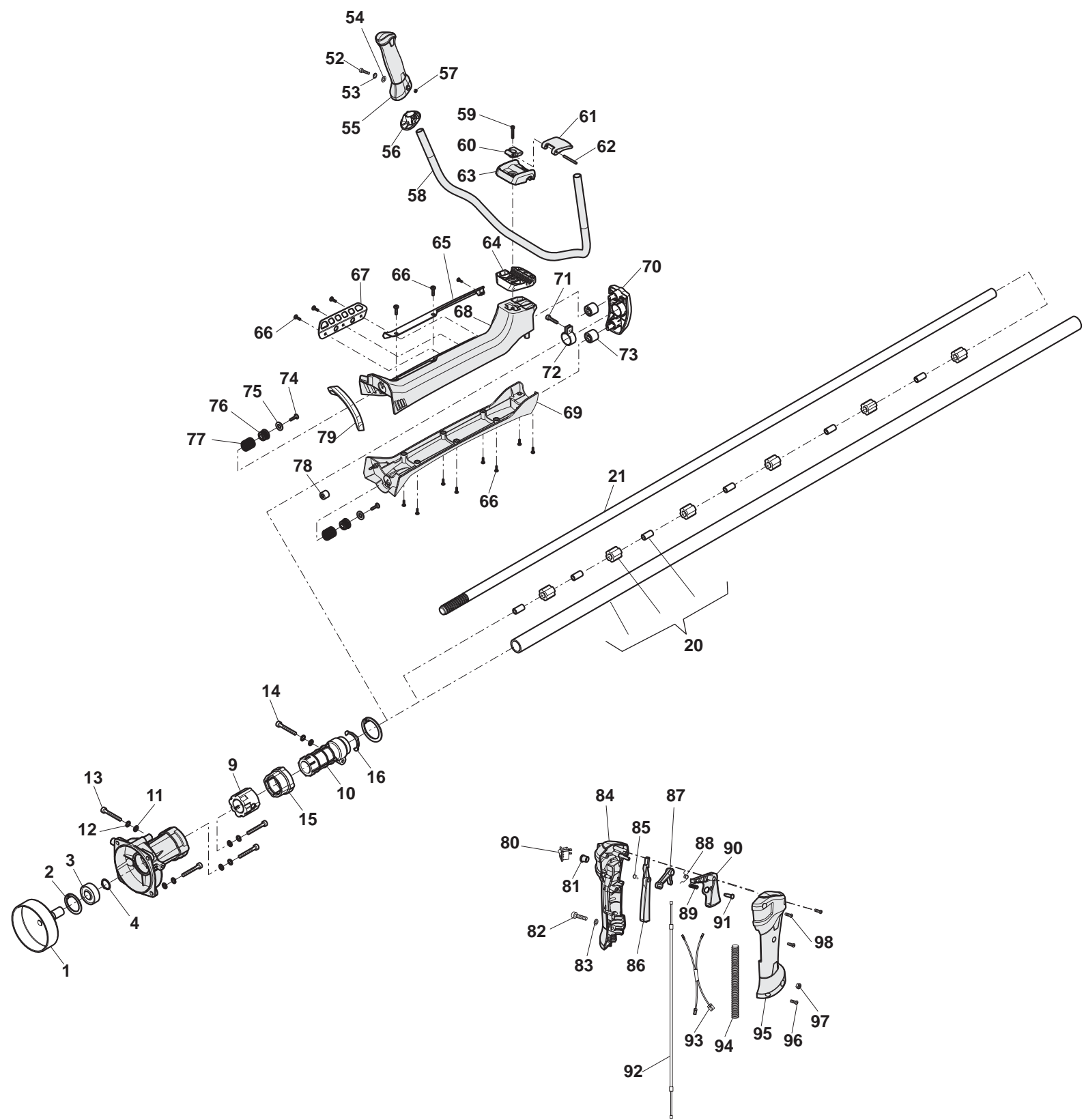




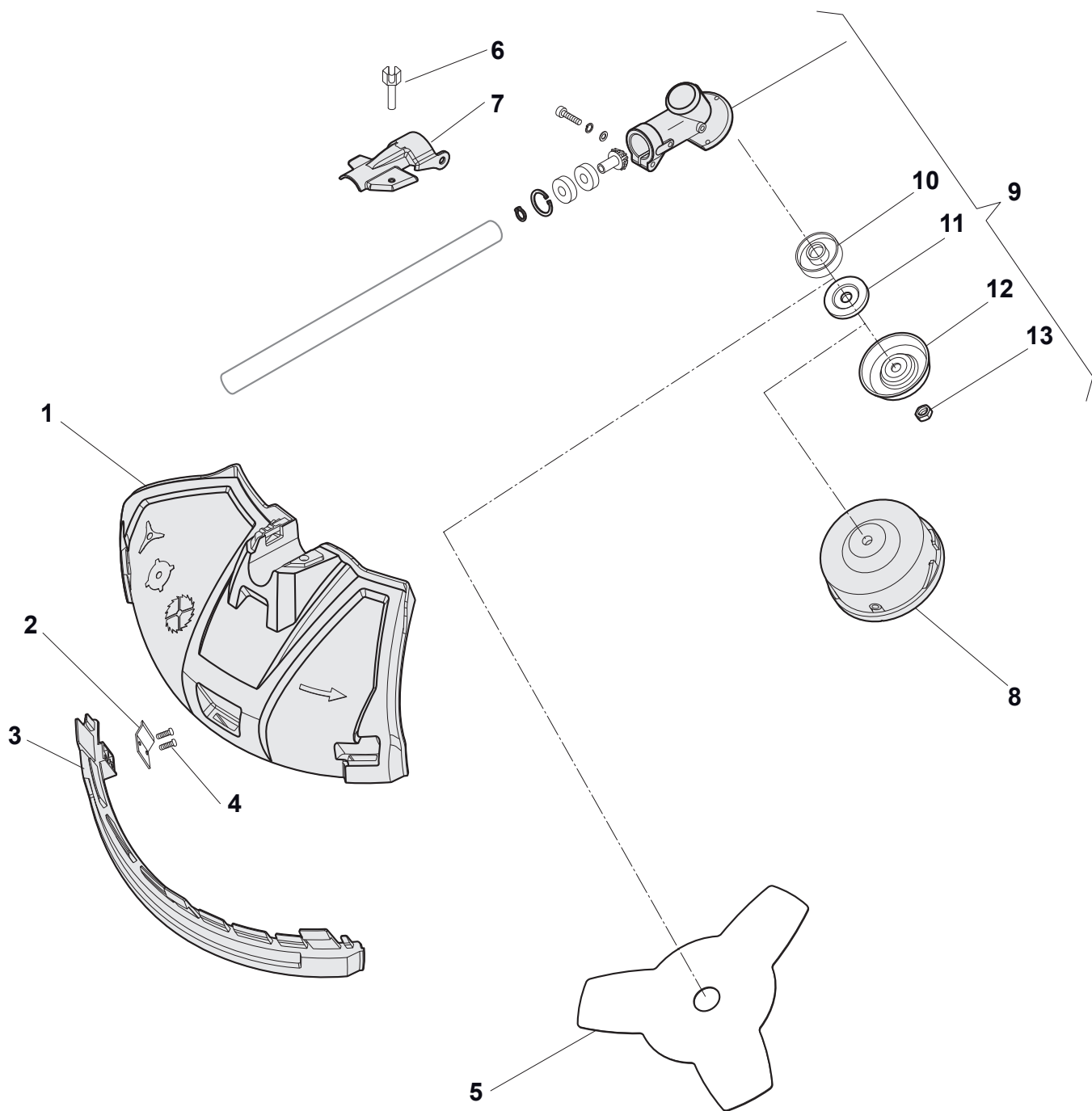
SBC 653 KD				Engine parts
POS	CODE	Q.TY	DESCRIPTION	NOTES
1	118801960/0	1	Cylinder	
2	118801779/0	1	Cylinder Gasket	
3	118801818/0	1	Plate	
4	118801979/0	1	Plate	
5	118801823/0	1	Crankcase	
6	118801984/0	1	Crankcase	
7	118801915/0	1	Washer, Piston Pin	
9	118801919/0	2	Bearing	
10	118801923/0	1	Seal Ring	
11	118801995/0	1	Seal Ring	
12	118801940/0	4	Screw	
13	118801946/0	4	Screw	
14	2135120	4	Screw	
15	118801794/0	1	Piston	
16	118801799/0	1	Piston Pin	
17	118801804/0	1	Piston Ring	
18	118801808/0	1	Bearing	
19	118801888/0	1	Crankshaft	
20	118801910/0	2	Spacer	
21	118801916/0	2	Washer, Piston Pin	
22	118802007/0	1	Cylinder Cover Yellow	
23	118801992/0	1	Cylinder Plate	
24	118801898/0	1	Housing	
26	123878020/0	2	Screw	
27	2135040	4	Screw	
28	2135180	2	Screw	
29	118801831/0	2	Insulator	
30	118801840/0	1	Flywheel	
31	123120005/0	1	Nut	
32	118801852/0	1	Earth Cable	
33	118801987/0	1	Coil-Switch Cable	
34	118801948/0	1	Clamp	
35	3210024	1	Spark Plug	
36	3657050	1	Terminal	
37	118801844/0	1	Spark Plug Cover	
38	118801849/0	1	Electronic Coil	
39	3151050	1	Flywheel Key	
40	118801927/0	1	Grommet	
41	2132510	2	Screw	
42	118801780/0	1	Muffler Gasket	
43	118801871/0	1	Muffler	
45	2135010	1	Screw	
46	2135040	2	Screw	
47	118801874/0	1	Starter Pulley	
48	118801912/0	2	Snap Ring	
49	118801977/0	1	Clutch Ass.Y	
50	118801813/0	1	Plate	
51	118801978/0	1	Plate	
52	118801918/0	2	Pin	
53	118801933/0	1	Spring	



SBC 653 KD				Engine parts
POS	CODE	Q.TY	DESCRIPTION	NOTES
1	118801858/0	1	Tank Support	
2	118801893/0	1	Tank	
3	118801894/0	1	Oil Cap	
4	2135030	4	Screw	
5	118801925/0	1	Grommet	
6	118801949/0	1	Fuel Line	
7	118802000/0	1	Tube	
8	183520004/0	1	Intake	
11	118801790/0	1	Breather Valve Ass.Y	
12	118801781/0	1	Cylinder Gasket	
13	118801972/0	1	Carburetor Gasket	
14	2135060	4	Screw	
15	118801828/0	1	Carburettor	
17	118801770/0	1	Air Cleaner Base	
18	118801963/0	1	Air Filter	
19	118801786/0	1	Yellow Filter Cover	
20	118801941/0	1	Screw	
21	118801835/0	1	Deflector	
22	118801924/0	1	Or Ring	
23	2135250	2	Screw	
24	112727810/0	1	Screw	
26	118801879/0	1	Starter Assy Black	
27	118801947/0	1	Screw	
28	118801866/0	1	Cam	
29	118801997/0	1	Spring	
30	118801903/0	1	Starter Pulley	
31	118801938/0	1	Starter Spring	
32	2132180	4	Screw	



SBC 653 KD			Transmission Parts	
POS	CODE	Q.TY	DESCRIPTION	NOTES
1	118802495/0	1	Clutch drum	
2	112610800/0	1	Seeger ring	
3	119216048/0	1	Bearing	
4	112609200/0	1	Seeger ring	
5	118802497/0	1	Output block	
6	112521330/0	4	Washer	
7	112521330/0	4	Washer	
8	2132590	4	Screw	
9	118802553/0	1	Rear Shock Absorber	
10	118802554/0	1	Pipe	
11	112521330/0	2	Washer	
12	112521330/0	2	Washer	
13	112727794/0	1	Screw	
14	2132180	1	Screw	
15	118802552/0	1	Front Shock Absorber	
16	118802555/0	1	Tube	
20	118802496/0	6	Transmission tube assy	
21	118802457/0	1	Drive shaft	
52	2122520	1	Screw	
53	112521320/0	1	Washer	
54	112521320/0	1	Washer	
55	118802563/0	1	Left Handle	
56	118802564/0	1	Handgrip Support	
57	112291000/0	1	Nut	
58	118802482/0	1	Arm	
59	118802577/0	1	Screw	
60	118802575/0	1	Locking briquetting	
61	118802574/0	1	Locking handle	
62	118802576/0	1	Shaft	
63	118802572/0	1	Handle Cover	
64	118802573/0	1	Handle	
65	118802507/0	1	Cable Sheath	
66	112728440/0	1	Screw	
67	118802567/0	1	Plate	
68	118802505/0	1	Protection	
69	118802506/0	1	Lower Guard	
70	118802566/0	1	Shock Absorber	
71	112728519/0	1	Screw	
72	118802565/0	1	Locking hoop	
73	118802569/0	2	Bumper	
74	112731601/0	2	Screw	
75	2312150	2	Washer	
76	118802570/0	2	Bumper	
77	118802568/0	2	Spring	
78	118802571/0	1	Shock absorber	
79	118802527/0	1	Grommet	
80	118800202/0	1	Switch	
81	118802524/0	1	Button	
82	2123110	1	Screw	
83	112521320/0	1	Washer	
84	118802522/0	1	Handle Cover, Left Part	
85	118802562/0	1	Spring	
86	118802561/0	1	Safety lever	
87	118802559/0	1	Adjust lever	
88	118802560/0	1	Spring	
89	118802525/0	1	Spring	
90	118802523/0	1	Trigger	
91	118802526/0	1	Pin	
92	118802456/0	1	Throttle cable	
93	118802598/0	1	Earth cable	
94	118802484/0	1	Conductor casing	
95	118802521/0	1	Handle Cover, Right Part	
96	112735101/0	1	Screw	
97	112154330/0	1	Nut	
98	123878020/0	3	Screw	





SBC 653 KD				Gear Case
POS	CODE	Q.TY	DESCRIPTION	NOTES
1	118802323/0	1	Hood	
2	118802578/0	1	Line Cutter Blade	
3	118802580/0	1	Safety cover Ass.Y	
4	112728099/1	2	Screw	
5	1911-9148-01	1	3T Blade	
6	118802579/0	1	Screw	
7	118802480/0	2	Plate	
8	1911-9142-01	1	Line Cutter Head	
9	118802498/0	1	Hedges Nylon Head	
10	118802502/0	10	Blade Plate	
11	118802503/0	11	Plate	
12	118802504/0	12	Cover	