



www.stiga.com

Illustrated Parts List

for model:

SHT 500

- Use GLOBAL GARDEN PRODUCT genuine spare parts specified in the parts list for repair and/or replacement.
- Then contents described in the parts list may change due to improvement.
- The drawings of the spare part are only indicative and might not represent the part in question exactly.
- The indications "right" - "left" - "front" - "rear" refer to the position of the operator when using the machine.
- When placing orders of parts for repair and/or replacement, make sure that the illustrated parts list is the one applying to the machine's year of manufacture, as shown on the identification plate attached to the machine.

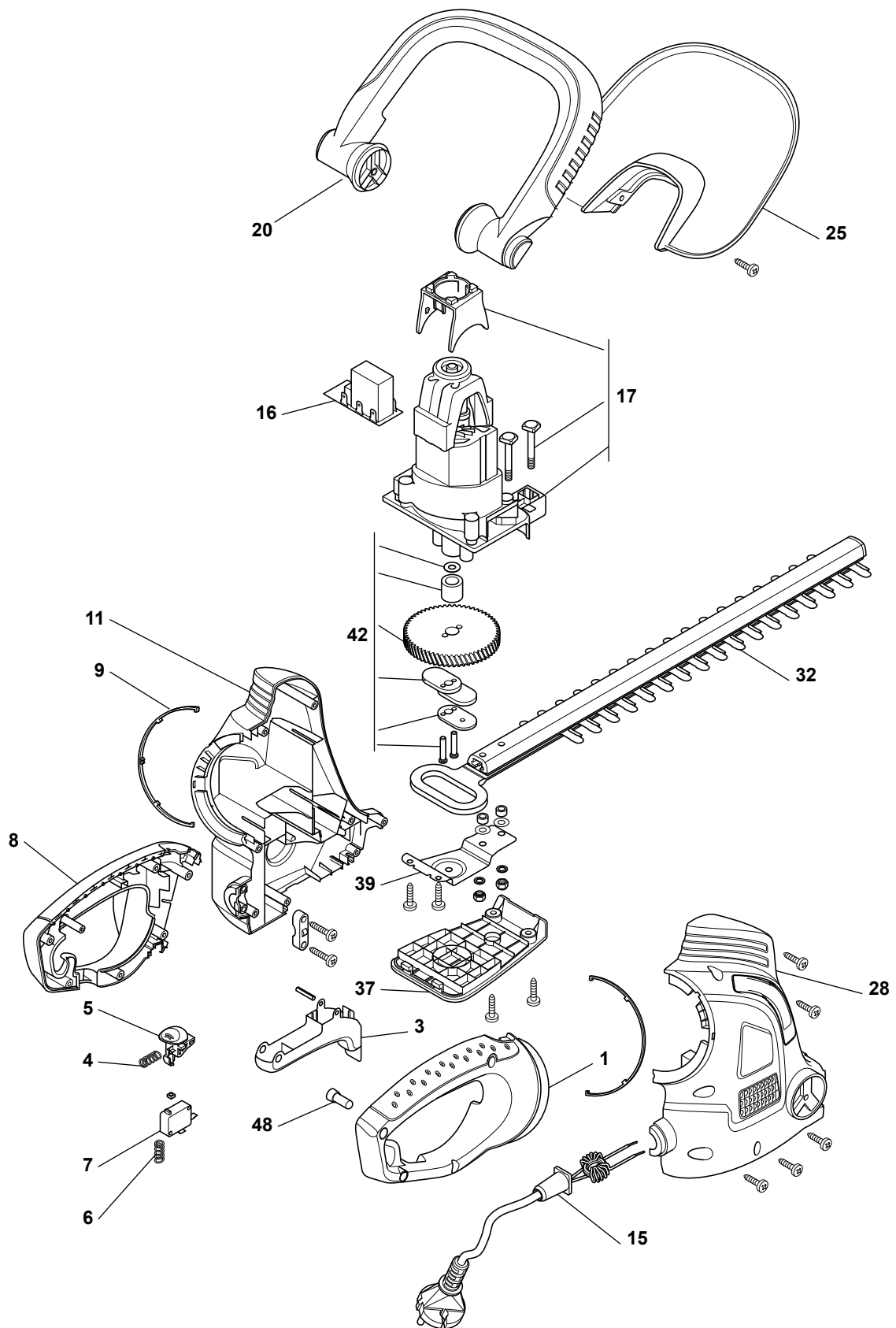
© Copyright 2014 Global Garden Products

All content is subject to copyright by Global Garden Products and may not be reproduced in whole or in part by any means, electronic or otherwise, without prior written approval.

THIS INFORMATION IS NOT INTENDED FOR SALE OR RESALE, AND THIS NOTICE MUST REMAIN ON ALL COPIES.

www.ggp-group.com





SHT 500			Electric hedge trimmer	
POS	CODE	Q.TY	DESCRIPTION	NOTES
1	118802958/0	1	Right Handgrip Yellow	with overmould black
3	118800576/0	1	Switch Lever	
4	118800577/0	1	Spring	
5	118800578/0	1	Button	
6	118800579/0	1	Spring	
7	118800580/0	1	Switch	
8	118802960/0	1	Left Handgrip Yellow	with overmould black
9	118800582/0	2	Ring	
11	118803029/0	1	Left Handgrip	yellow with black insert
15	118800584/0	1	Power Cord Assy	
16	118800585/0	1	Electronic Card	
17	118800586/0	1	Motor	
20	118803030/0	1	Front Handgrip Ass.	with soft grip yellow/ black
24	118803031/0	1	Lower Handgrip	
25	118800589/0	1	Guard	
28	118803032/0	1	Right Handgrip	yellow with black insert
32	118800572/0	1	Blade Ass.Y	
37	118800591/0	1	Lower Case	
39	118800592/0	1	Blade Guard	
42	118800593/0	1	Transmission Unit	
48	118800594/0	1	Button	