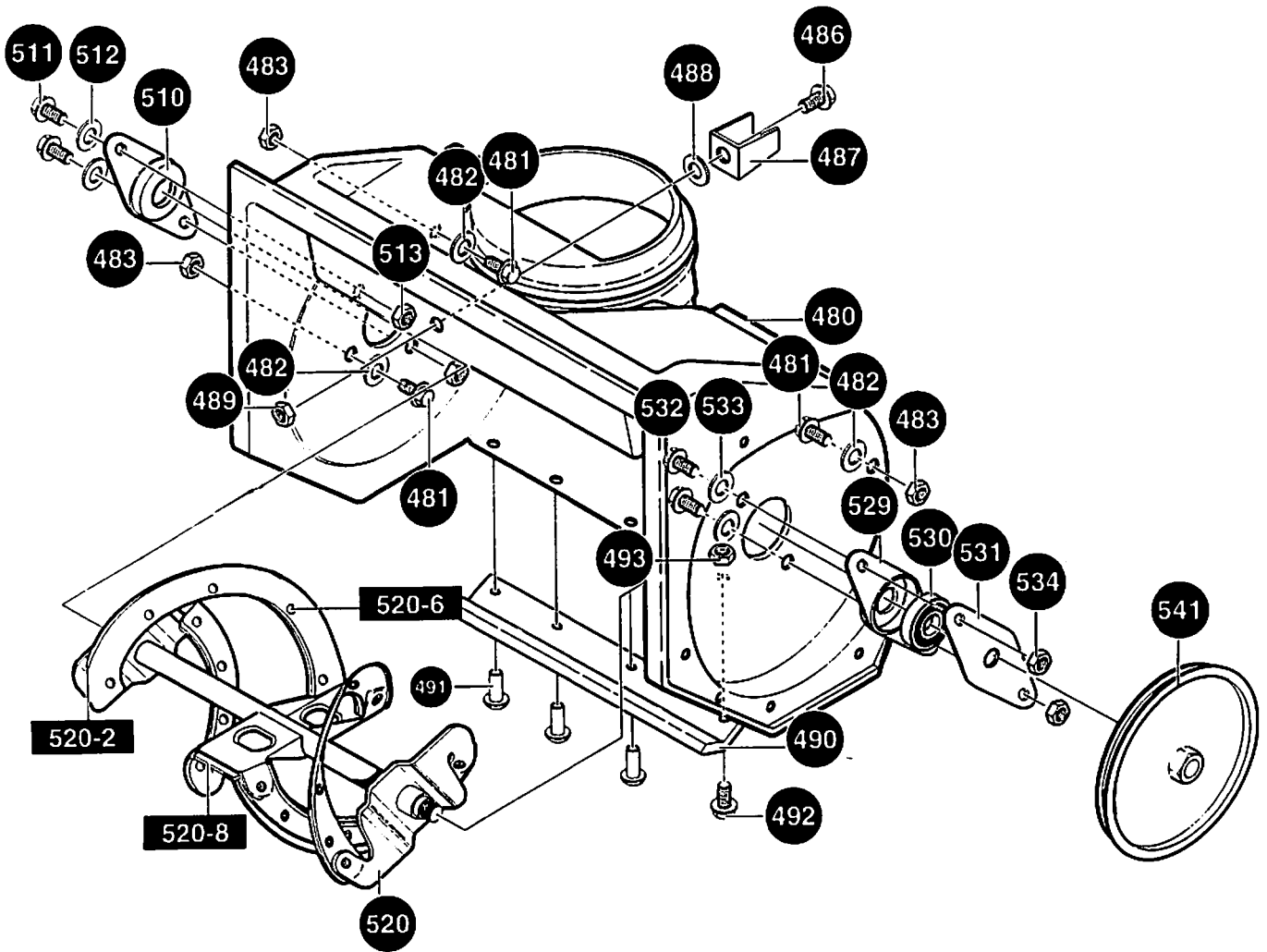


| Ausgabe Issue | | Bild Nr. Picture No | | 320 FÜHRUNGSHOLM STÜTZRÄDER | | 320 HANDLE SUPPORT WHEELS | | Seite Page | |
|------------------|-----------------|------------------------|--|-----------------------------------|----------------------------|---------------------------------|-------------|--------------------|--|
| 1999-1 | | 865 | | | | | | 100 | |
| Pos. Fig. | Anzahl/Quantity | | | Artikel Nr. Part No | Bezeichnung | Description | Satz Kit | Anmerkung Notes | |
| | 1211 | | | | | | | | |
| 650 | 1 | | | 1133-0958-01 | Radachse..... | Wheel axle..... | | | |
| 651 | 4 | | | 9699-0030-02 | Scheibe..... | Flat washer..... | | | |
| 660 | 2 | | | 1812-1455-01 | Rad..... | Wheel..... | | | |
| 661 | 2 | | | 9699-0030-02 | Scheibe..... | Flat washer..... | | | |
| 662 | 2 | | | 1133-1021-01 | Schloßring..... | Retaining ring..... | | | |
| 740 | 1 | | | 1812-1457-01 | Kupplungsdraht Obere..... | Control cable-upper..... | | | |
| 741 | 1 | | | 1133-0977-01 | Drahthalter..... | Cable adjust bracket..... | | | |
| 742 | 1 | | | 1812-1456-01 | Kupplungsdraht Untere..... | Control cable-lower..... | | | |
| 743 | 1 | | | 1133-0968-01 | Drahhülse..... | Clutch spring boot..... | | | |
| 744 | 1 | | | 1133-0982-01 | Feder..... | Extension spring..... | | | |
| 750 | 1 | | | 1133-0984-01 | Führungsholm-untere..... | Lower handle..... | | | |
| 751 | 3 | | | 9988-3532-12 | Schraube..... | Screw..... | | | |
| 752 | 3 | | | 9699-0026-02 | Scheibe..... | Flat washer..... | | | |
| 753 | 4 | | | 1812-0812-01 | Gegenmutter..... | Locking nut..... | | | |
| 754 | 1 | | | 9988-3538-12 | Schraube..... | Screw..... | | | |
| 755 | 1 | | | 1812-1458-01 | Halterung..... | Bracket..... | | | |
| 756 | 1 | | | 1133-0262-01 | Ansatzbolzen..... | Shoulder bolt..... | | | |
| 757 | 1 | | | 1133-0059-01 | Schnurrad..... | Pulley..... | | | |
| 758 | 1 | | | 1133-0004-01 | Befestigungswinkel..... | Retainer bracket..... | | | |
| 759 | 1 | | | 1812-0812-01 | Gegenmutter..... | Locking nut..... | | | |
| 760 | 1 | | | 1133-1009-01 | Führungsholm-obere..... | Upper handle..... | | | |
| 761 | 1 | | | 1133-0972-01 | Kupplungsgriff..... | Control bail..... | | | |
| 762 | 2 | | | 1133-1017-01 | Schraube..... | Bolt..... | | | |
| 763 | 2 | | | 1133-0933-01 | Scheibe..... | Formed washer..... | | | |
| 764 | 2 | | | 1133-0932-01 | Schließrad..... | T-knob..... | | | |
| 765 | 2 | | | 9795-3631-02 | Mutter..... | Nut..... | | | |

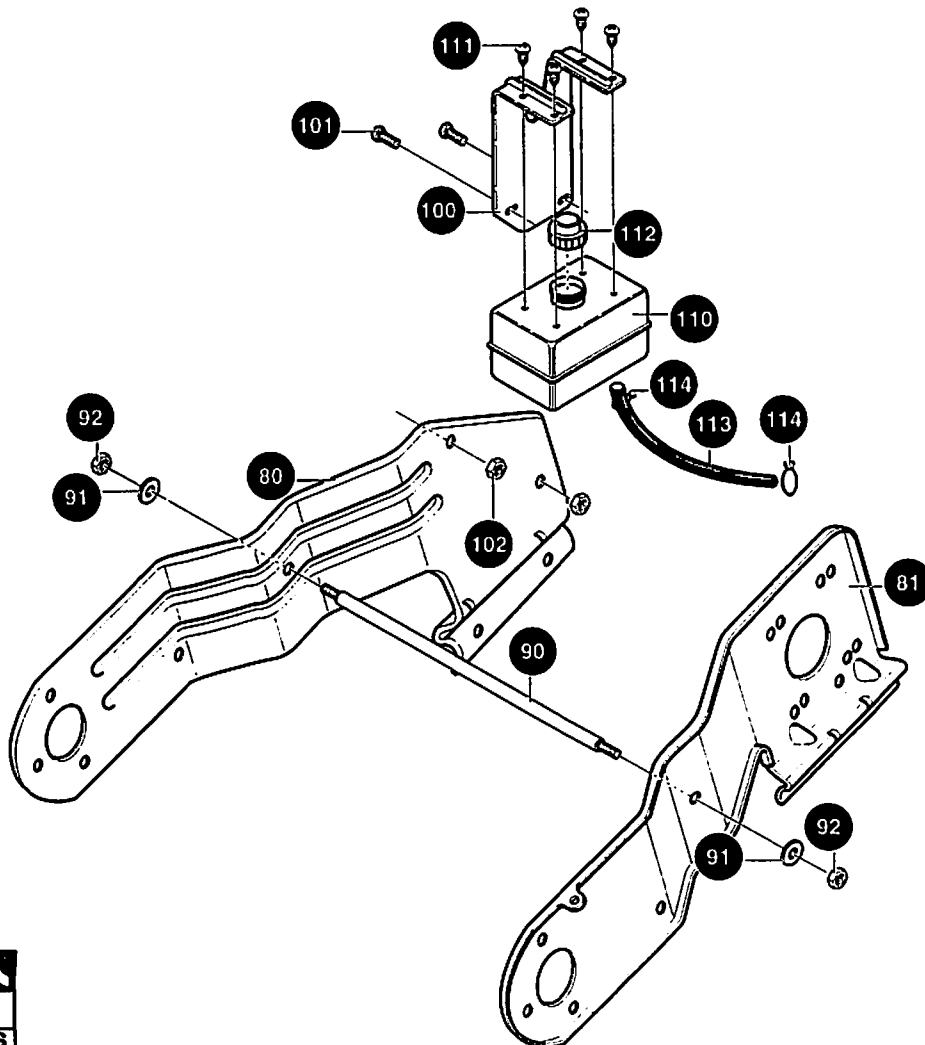
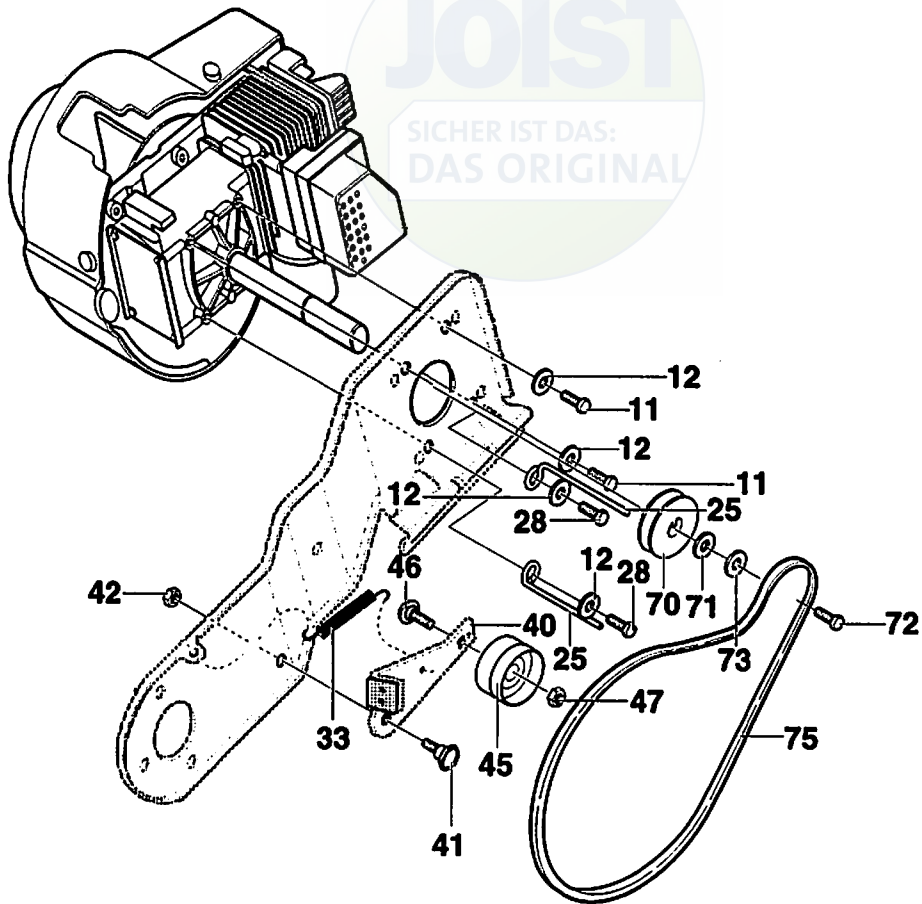


| | | | | |
|----------------------------|-------------------------------|-----------------------|--------------|----------------------|
| Ausgabe Issue 1999-1 | Bild Nr. Picture No 866 | 320 SCHNEESCHRAUBE | 320 AUGER | Seite Page 102 |
|----------------------------|-------------------------------|-----------------------|--------------|----------------------|

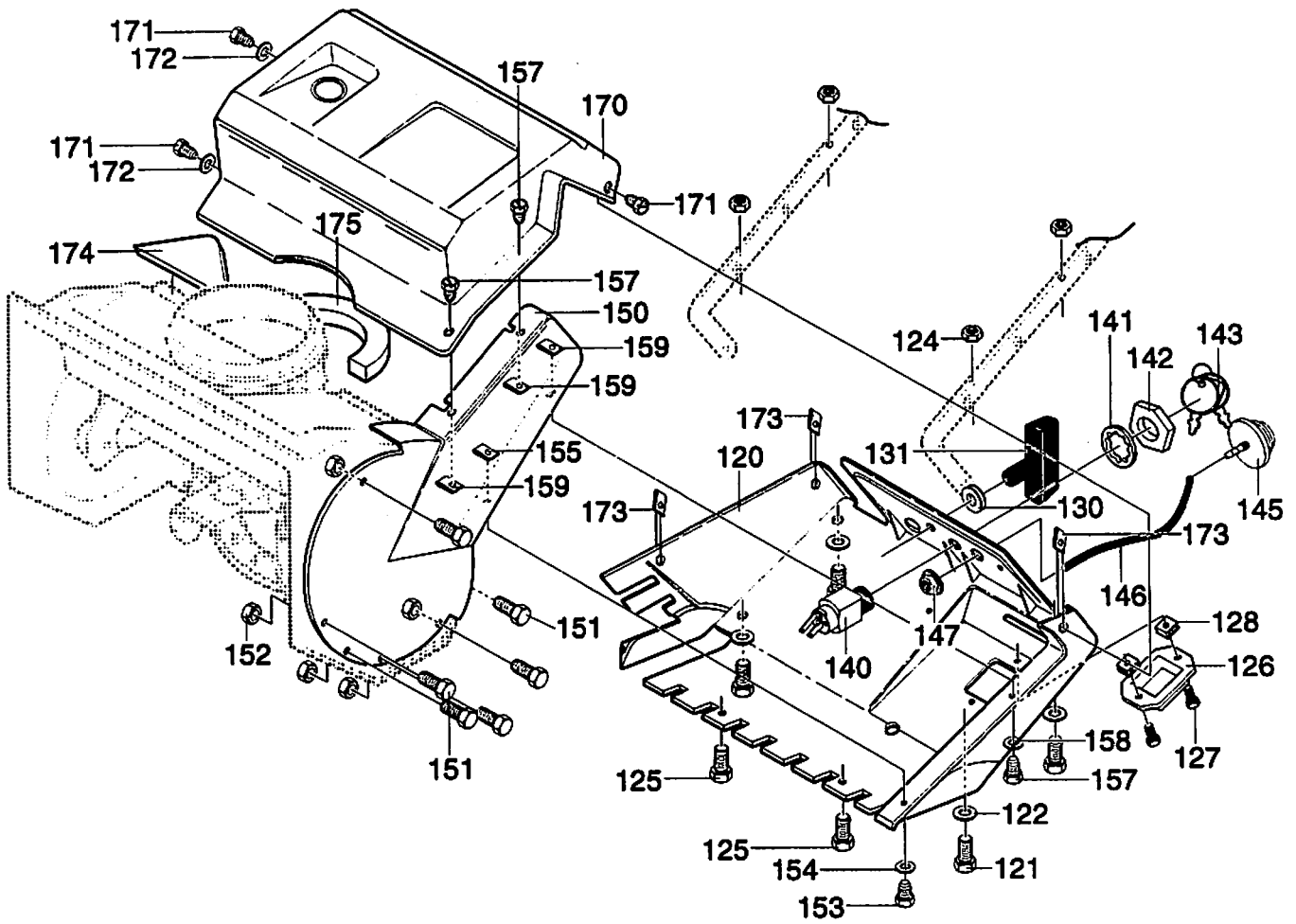
| Pos. Fig. | Anzahl/Quantity | | | Artikel Nr. Part No | Bezeichnung | Description | Satz Kit | Anmerkung Notes |
|--------------|-----------------|--|--|------------------------|----------------------------|------------------------|-------------|--------------------|
| | | | | | | | | |
| | 1211 | | | | | | | |
| 480 | 1 | | | 1133-0994-01 | Gehäuse-Schneeschaub | Auger housing..... | | |
| 481 | 4 | | | 9988-3519-16 | Schraube | Screw | | |
| 482 | 4 | | | 9699-0026-02 | Scheibe | Flat washer..... | | |
| 483 | 4 | | | 1812-0812-01 | Gegenmutter..... | Locking nut | | |
| 486 | 1 | | | 9988-3516-16 | Schraube | Screw | | |
| 487 | 1 | | | 1133-0993-01 | Haltebügel | Stop bracket..... | | |
| 488 | 1 | | | 9699-0078-02 | Scheibe..... | Washer..... | | |
| 489 | 1 | | | 1812-0812-01 | Gegenmutter..... | Locking nut | | |
| 490 | 1 | | | 1133-0999-01 | Abstreifer..... | Scraper blade..... | | |
| 491 | 3 | | | 1133-1022-01 | Niet..... | Rivet..... | | |
| 492 | 1 | | | 9988-3519-16 | Schraube | Screw | | |
| 493 | 1 | | | 9727-3541-22 | Mutter | Nut | | |
| 510 | 1 | | | 1133-1019-01 | Flanschlager | Flange bearing..... | | |
| 511 | 2 | | | 9988-3525-16 | Schraube | Screw | | |
| 512 | 2 | | | 9699-0026-02 | Scheibe | Flat washer..... | | |
| 513 | 2 | | | 9727-3541-22 | Mutter | Nut | | |
| 520 | 1 | | | 1133-0966-01 | Schneeschaube | Auger assy | | |
| 520A | 4 | | | 1133-0964-01 | Schere-Schneeschaube..... | Auger blade..... | | Pos 520-2 |
| 520B | 20 | | | 1133-0940-01 | Niet..... | Rivet..... | | Pos 520-6 |
| 520C | 2 | | | 1133-0960-01 | Schere-mitten..... | Centre blade..... | | Pos 520-8 |
| 529 | 1 | | | 1133-1027-01 | Lagerhalter | Retainer-bearing | | |
| 530 | 1 | | | 1812-1383-01 | Kugellager | Ball bearing | | |
| 531 | 1 | | | 1133-1000-01 | Lagerhalter | Bearing retainer..... | | |
| 532 | 2 | | | 9988-3516-16 | Schraube | Screw | | |
| 533 | 2 | | | 9699-0026-02 | Scheibe | Flat washer..... | | |
| 534 | 2 | | | 1812-0812-01 | Gegenmutter..... | Locking nut | | |
| 541 | 1 | | | 1812-1400-01 | Riemenscheibe | Pulley | | |

JOIST

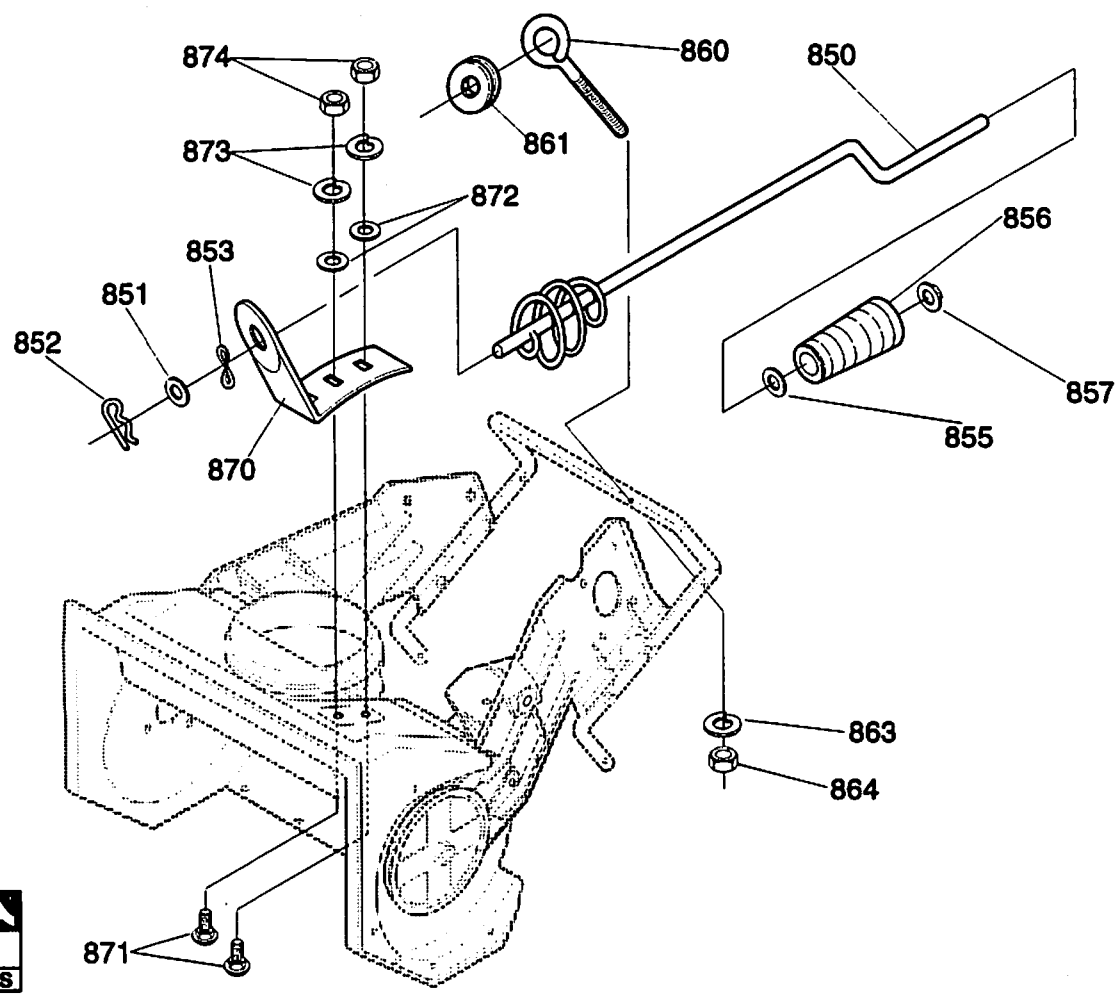
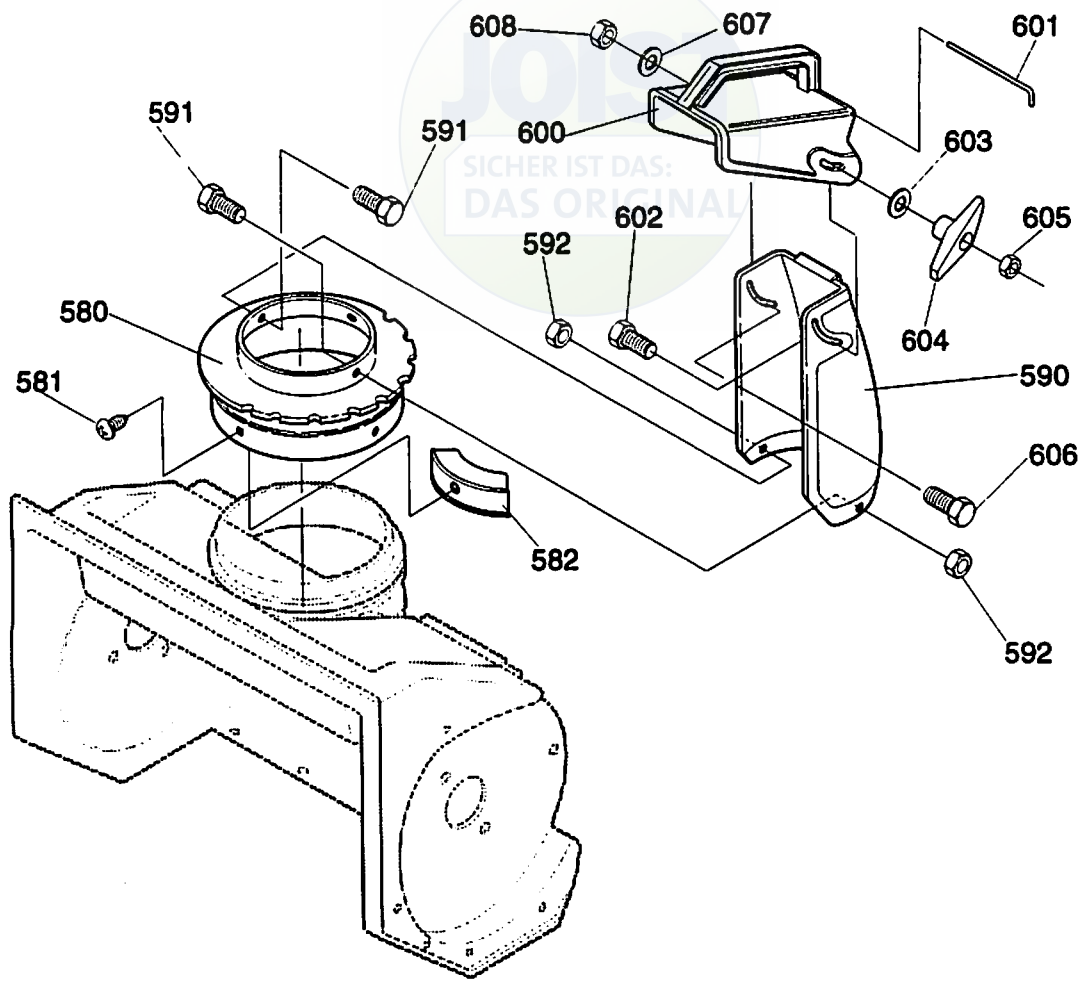
SICHER IST DAS:
DAS ORIGINAL



| Ausgabe Issue 1999-1 | | Bild Nr. Picture No 867 | | 320 RIEMENTRANSMISSION RAHMEN | | 320 BELT TRANSMISSION FRAME | | Seite Page 104 | |
|----------------------------|-----------------|-------------------------------|--|-------------------------------------|--------------------------|-----------------------------------|-------------|----------------------|--|
| Pos. Fig. | Anzahl/Quantity | | | Artikel Nr. Part No | Bezeichnung | Description | Satz Kit | Anmerkung Notes | |
| | 1211 | | | | | | | | |
| 11 | 2 | | | 9988-3619-16 | Schraube | Screw | | | |
| 12 | 4 | | | 9683-0030-02 | Scheibe | Lock washer | | | |
| 25 | 2 | | | 1133-0976-01 | Riemenführung | Belt guide | | | |
| 28 | 2 | | | 9988-3625-16 | Schraube | Screw | | | |
| 33 | 1 | | | 1812-1401-01 | Feder | Spring | | | |
| 40 | 1 | | | 1812-1461-01 | Spannarm | Idler arm | | | |
| 41 | 1 | | | 9988-3613-16 | Schraube | Screw | | | |
| 42 | 1 | | | 9743-3621-32 | Mutter | Nut | | | |
| 45 | 1 | | | 1133-0936-01 | Spannrolle | Idler pulley | | | |
| 46 | 1 | | | 1133-0084-01 | Bolzen | Carriage bolt | | | |
| 47 | 1 | | | 9743-3721-32 | Mutter | Nut | | | |
| 70 | 1 | | | 1812-1399-01 | Motorriemenscheibe | Engine pulley | | | |
| 71 | 1 | | | 9699-0062-02 | Scheibe | Flat washer | | | |
| 72 | 1 | | | 9987-5119-16 | Schraube | Screw | | | |
| 73 | 1 | | | 9683-0030-02 | Scheibe | Lock washer | | | |
| 75 | 1 | | | 1812-1460-01 | Treibriemen | Drive belt | | | |
| 80 | 1 | | | 1812-1438-01 | Rahmen-rechts | Side frame-R.H. | | | |
| 81 | 1 | | | 1812-1437-01 | Rahmen-links | Side frame-L.H. | | | |
| 90 | 1 | | | 1812-1431-01 | Stützstange | Support rod | | | |
| 91 | 2 | | | 9683-0035-02 | Scheibe | Lock washer | | | |
| 92 | 2 | | | 9743-3721-32 | Mutter | Nut | | | |
| 100 | 1 | | | 1133-0941-01 | Tankhalter | Fuel tank bracket | | | |
| 101 | 2 | | | 9988-3519-16 | Schraube | Screw | | | |
| 102 | 2 | | | 1812-0812-01 | Gegenmutter | Locking nut | | | |
| 110 | 1 | | | 1133-0954-01 | Benzintank | Fuel tank | | | |
| 111 | 4 | | | 1133-0939-01 | Schraube | Screw | | | |
| 112 | 1 | | | 1812-1474-01 | Tankdeckel | Gas tank cap | | | |
| 113 | 1 | | | 1133-0992-01 | Benzinschlauch | Fuel line tubing | | | |
| 114 | 2 | | | 1133-0070-01 | Schlauchklemme | Fuel line clamp | | | |



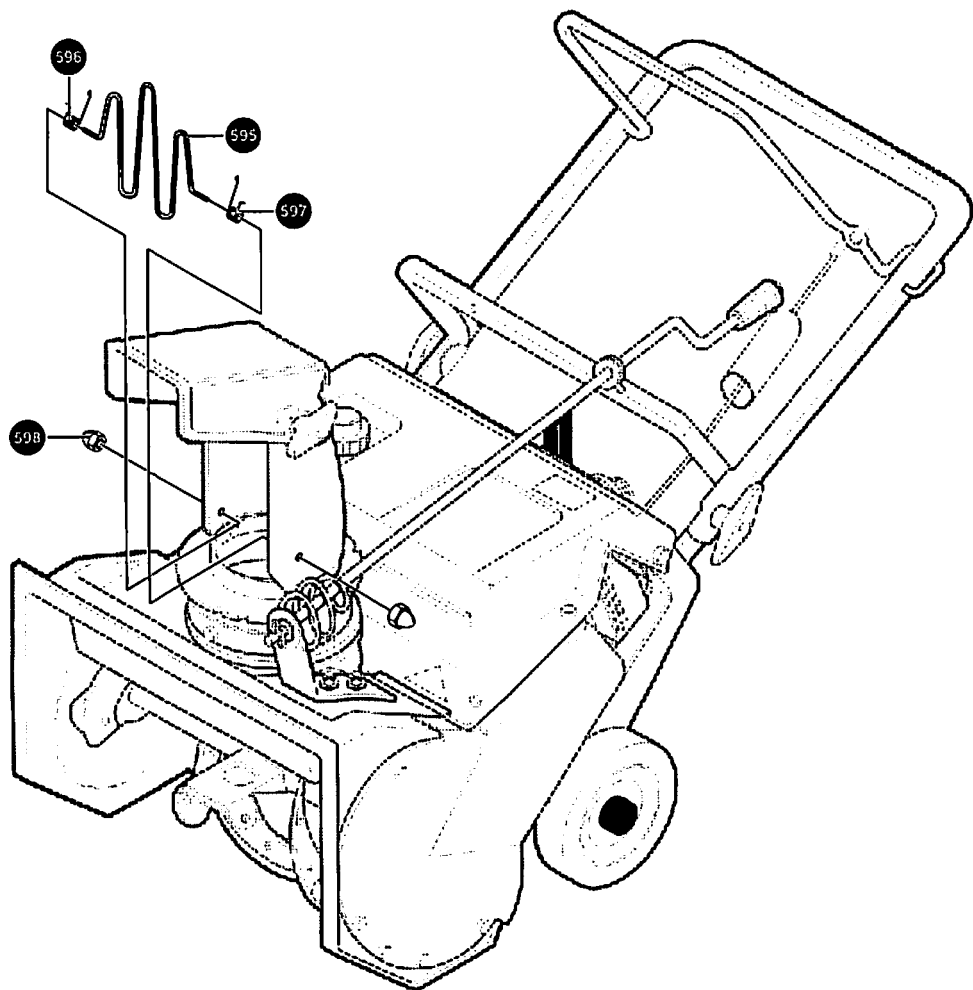
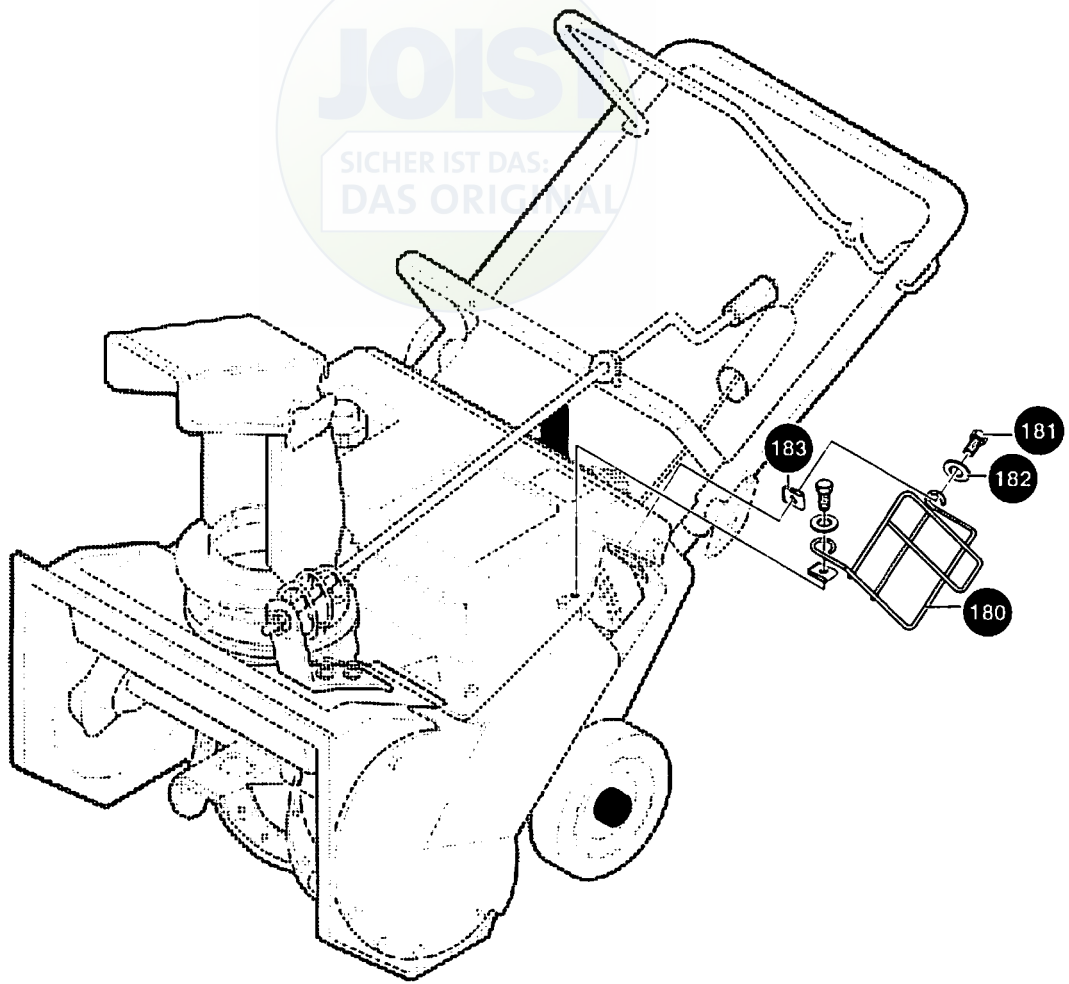
| Ausgabe Issue 1999-1 | | Bild Nr. Picture No 868 | | 320 DECKEL | | 320 COVERS | | Seite Page 106 | |
|----------------------------|-----------------|-------------------------------|--|------------------------|----------------------|----------------------------|-------------|----------------------|--|
| Pos. Fig. | Anzahl/Quantity | | | Artikel Nr. Part No | Bezeichnung | Description | Satz Kit | Anmerkung Notes | |
| | 1211 | | | | | | | | |
| 120 | 1 | | | 1812-1384-01 | Deckel-untere | Cover-bottom..... | | | |
| 121 | 4 | | | 9988-3532-12 | Schraube | Screw..... | | | |
| 122 | 4 | | | 9699-0026-02 | Scheibe | Flat washer..... | | | |
| 124 | 4 | | | 1812-0812-01 | Gegenmutter..... | Locking nut..... | | | |
| 125 | 2 | | | 1133-0986-01 | Schraube | Screw..... | | | |
| 126 | 1 | | | 1812-1396-01 | Vergaserdeckel | Carburettor cover | | | |
| 127 | 2 | | | 1133-0955-01 | Schraube | Screw..... | | | |
| 128 | 2 | | | 1133-1026-01 | Mutter..... | Speed nut..... | | | |
| 130 | 1 | | | 1133-0962-01 | Schnurhülse | Grommet & rope guide | | | |
| 131 | 1 | | | 1133-0995-01 | Griff | Starter grip..... | | | |
| 140 | 1 | | | 1133-0956-01 | Zündschloß..... | Ignition switch | | | |
| 141 | 1 | | | 1134-2853-01 | Scheibe..... | Washer..... | | | |
| 142 | 1 | | | 1134-2852-01 | Mutter..... | Nut..... | | | |
| 143 | 1 | | | 1134-2848-01 | Zündschlüssel | Ignition key | | | |
| 145 | 1 | | | 1133-0949-01 | Primer | Primer..... | | | |
| 146 | 1 | | | 1133-0930-01 | Primerschlauch | Primer hose | | | |
| 147 | 1 | | | 9795-3531-02 | Mutter | Nut..... | | | |
| 150 | 1 | | | 1133-0957-01 | Riemenschutz..... | Belt cover | | | |
| 151 | 6 | | | 1812-0959-01 | Bolzen..... | Bolt | | | |
| 152 | 6 | | | 1812-0630-01 | Mutter..... | Nut..... | | | |
| 153 | 1 | | | 9988-3513-16 | Schraube | Screw..... | | | |
| 154 | 1 | | | 9699-0026-02 | Scheibe | Flat washer..... | | | |
| 155 | 1 | | | 1133-0942-01 | Mutter..... | Nut..... | | | |
| 157 | 3 | | | 1133-0955-01 | Schraube | Screw..... | | | |
| 158 | 1 | | | 9699-0026-02 | Scheibe | Flat washer..... | | | |
| 159 | 3 | | | 1133-1026-01 | Mutter..... | Speed nut..... | | | |
| 170 | 1 | | | 1133-1003-01 | Deckel-obere | Cover-top..... | | | |
| 171 | 3 | | | 1133-0955-01 | Schraube | Screw..... | | | |
| 172 | 2 | | | 9699-0026-02 | Scheibe | Flat washer..... | | | |
| 173 | 3 | | | 1133-1026-01 | Mutter..... | Speed nut..... | | | |
| 174 | 1 | | | 1133-0952-01 | Dichtung..... | Housing seal strip | | | |
| 175 | 1 | | | 1133-0953-01 | Dichtung..... | Chute seal strip | | | |



STIGA
869
 SPARE PARTS

| Ausgabe Issue | | Bild Nr. Picture No | | 320 AUSWURF EINSTELLKURBEL | | 320 DISCHARGE CHUTE CHUTE ROD | | Seite Page | |
|------------------|-----------------|------------------------|--|----------------------------------|----------------------|-------------------------------------|-------------|--------------------|--|
| 1999-1 | | 869 | | | | | | 108 | |
| Pos. Fig. | Anzahl/Quantity | | | Artikel Nr. Part No | Bezeichnung | Description | Satz Kit | Anmerkung Notes | |
| | 1211 | | | | | | | | |
| 580 | 1 | | | 1133-0987-01 | Auswurfring..... | Chute ring | | | |
| 581 | 4 | | | 1133-1014-01 | Schraube | Screw | | | |
| 582 | 4 | | | 1133-1018-01 | Auswurfschiene | Chute guide | | | |
| 590 | 1 | | | 1133-1004-01 | Auswurfrohr | Lower chute | | | |
| 591 | 2 | | | 9988-3513-16 | Schraube | Screw | | | |
| 592 | 2 | | | 9727-3541-22 | Mutter | Nut | | | |
| 600 | 1 | | | 1133-0967-01 | Auswurfschirm | Upper chute | | | |
| 601 | 1 | | | 1133-0969-01 | Achse..... | Hinge wire..... | | | |
| 602 | 1 | | | 9899-3632-12 | Schraube | Screw | | | |
| 603 | 1 | | | 9699-0028-02 | Scheibe..... | Washer..... | | | |
| 604 | 1 | | | 1133-0932-01 | Schließrad | T-knob | | | |
| 605 | 1 | | | 9795-3631-02 | Mutter | Nut | | | |
| 606 | 1 | | | 1133-1023-01 | Schraube | Screw | | | |
| 607 | 1 | | | 9699-0028-02 | Scheibe..... | Washer..... | | | |
| 608 | 1 | | | 9743-3621-32 | Mutter | Nut | | | |
| 850 | 1 | | | 1133-0989-01 | Regulierkurbel | Upper chute rod | | | |
| 851 | 1 | | | 9699-0035-02 | Scheibe..... | Flat washer..... | | | |
| 852 | 1 | | | 9599-0054-02 | Splint | Cotter pin | | | |
| 853 | 1 | | | 1133-0973-01 | Federscheibe | Curved spring washer | | | |
| 855 | 1 | | | 9699-0035-02 | Scheibe..... | Flat washer..... | | | |
| 856 | 1 | | | 1133-0959-01 | Griff | Knob | | | |
| 857 | 1 | | | 1812-0396-01 | Einrasten | Retainer | | | |
| 860 | 1 | | | 1812-0394-01 | Augbolzen..... | Eyebolt | | | |
| 861 | 1 | | | 1812-0203-01 | Buchse..... | Grommet..... | | | |
| 863 | 1 | | | 9683-0035-02 | Scheibe | Lock washer..... | | | |
| 864 | 1 | | | 9743-3721-32 | Mutter | Nut | | | |
| 870 | 1 | | | 1133-0975-01 | Halterung..... | Chute rotation brkt..... | | | |
| 871 | 2 | | | 9899-3622-16 | Schraube | Screw | | | |
| 872 | 2 | | | 9699-0028-02 | Scheibe..... | Washer..... | | | |
| 873 | 2 | | | 9683-0030-02 | Scheibe..... | Lock washer..... | | | |
| 874 | 2 | | | 9795-3631-02 | Mutter | Nut | | | |

JOIS
SICHER IST DAS
DAS ORIGINAL



| Ausgabe Issue 1999-1 | | Bild Nr. Picture No 870 | | 320 SCHUTZ | | 320 GUARDS | | Seite Page 110 | |
|----------------------------|-----------------|-------------------------------|--|------------------------|---------------------------|----------------------------|-------------|----------------------|--|
| Pos. Fig. | Anzahl/Quantity | | | Artikel Nr. Part No | Bezeichnung | Description | Satz Kit | Anmerkung Notes | |
| | 1211 | | | | | | | | |
| 180 | 1 | | | 1133-0961-01 | Schalldämpferschutz | Muffler guard | | | |
| 181 | 2 | | | 9988-3516-16 | Schraube | Screw | | | |
| 182 | 2 | | | 9699-0026-02 | Scheibe | Flat washer | | | |
| 183 | 2 | | | 1133-0942-01 | Mutter | Nut | | | |
| 595 | 1 | | | 1133-0970-01 | Auswurfschutz | Wire chute guide | | | |
| 596 | 1 | | | 1133-0944-01 | Feder | Torsion chute spring | | | |
| 597 | 1 | | | 1133-0945-01 | Feder | Torsion chute spring | | | |
| 598 | 2 | | | 1133-0937-01 | Schließmutter | Acorn nut | | | |