



[www.stiga.com](http://www.stiga.com)

# Illustrated Parts List

for model:

**SHP 60**

- Use GLOBAL GARDEN PRODUCT genuine spare parts specified in the parts list for repair and/or replacement.
- Then contents described in the parts list may change due to improvement.
- The drawings of the spare part are only indicative and might not represent the part in question exactly.
- The indications "right" - "left" - "front" - "rear" refer to the position of the operator when using the machine.
- When placing orders of parts for repair and/or replacement, make sure that the illustrated parts list is the one applying to the machine's year of manufacture, as shown on the identification plate attached to the machine.

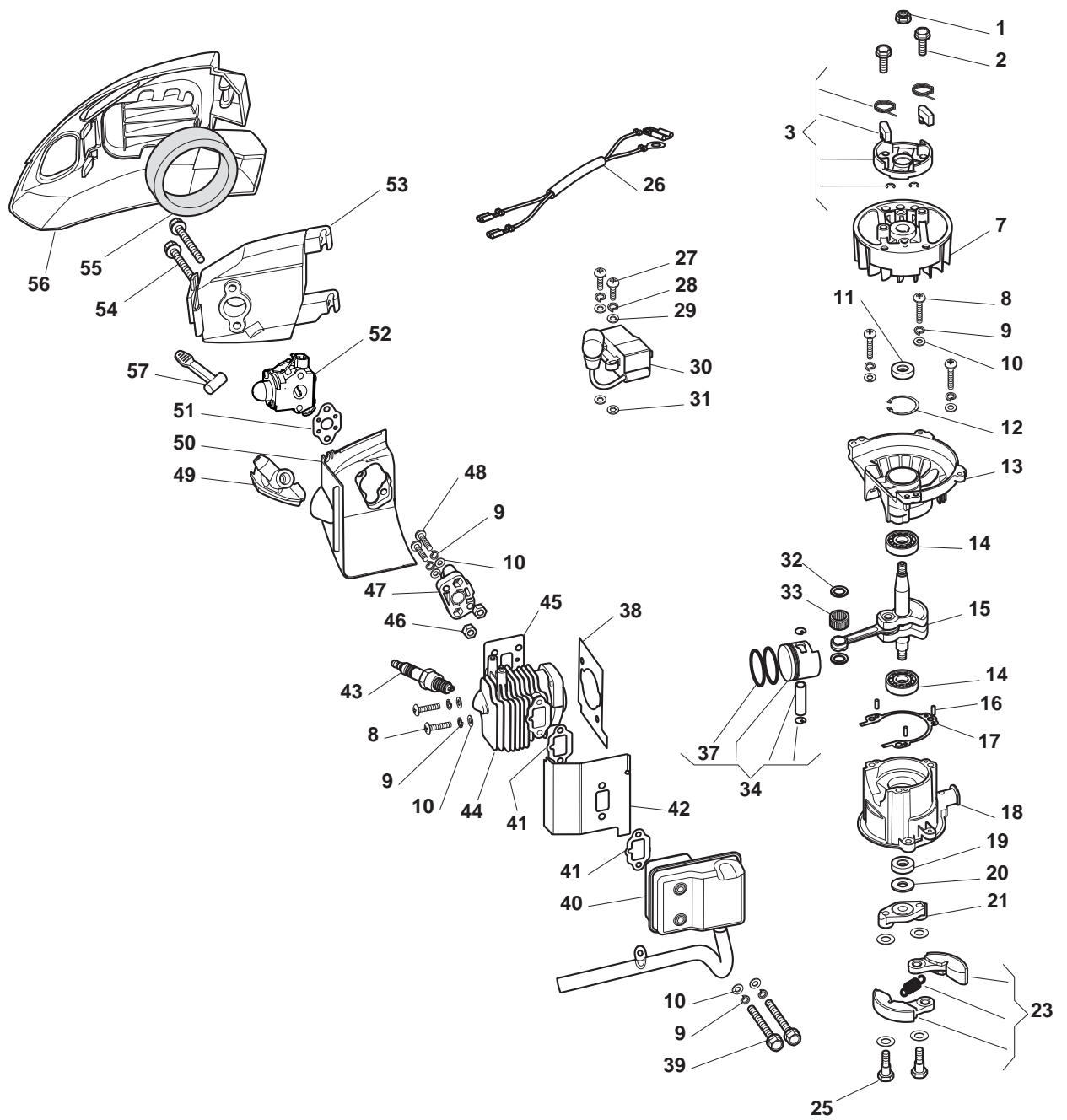
© Copyright 2014 Global Garden Products

All content is subject to copyright by Global Garden Products and may not be reproduced in whole or in part by any means, electronic or otherwise, without prior written approval.

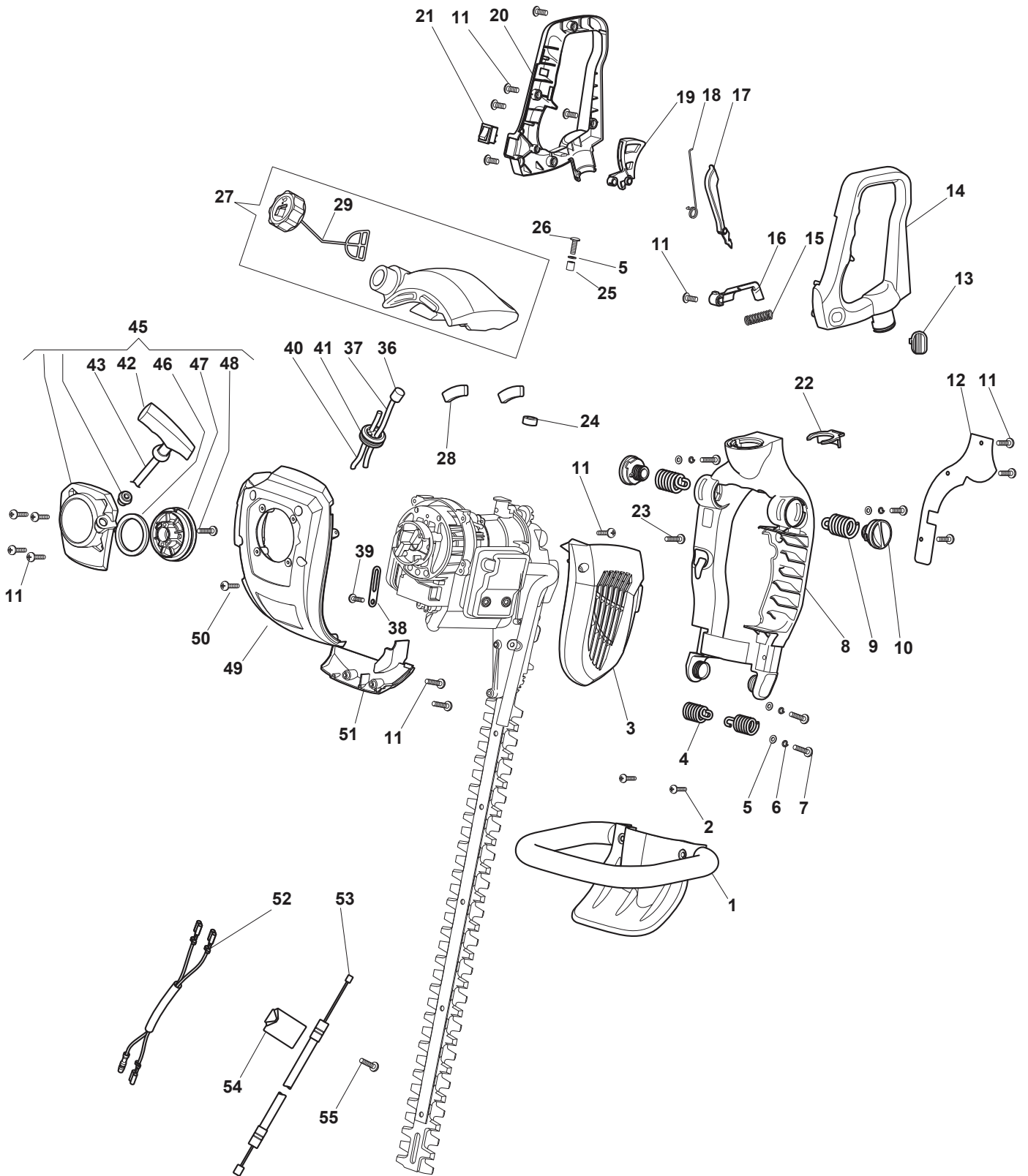
THIS INFORMATION IS NOT INTENDED FOR SALE OR RESALE, AND THIS NOTICE MUST REMAIN ON ALL COPIES.

[www.ggp-group.com](http://www.ggp-group.com)

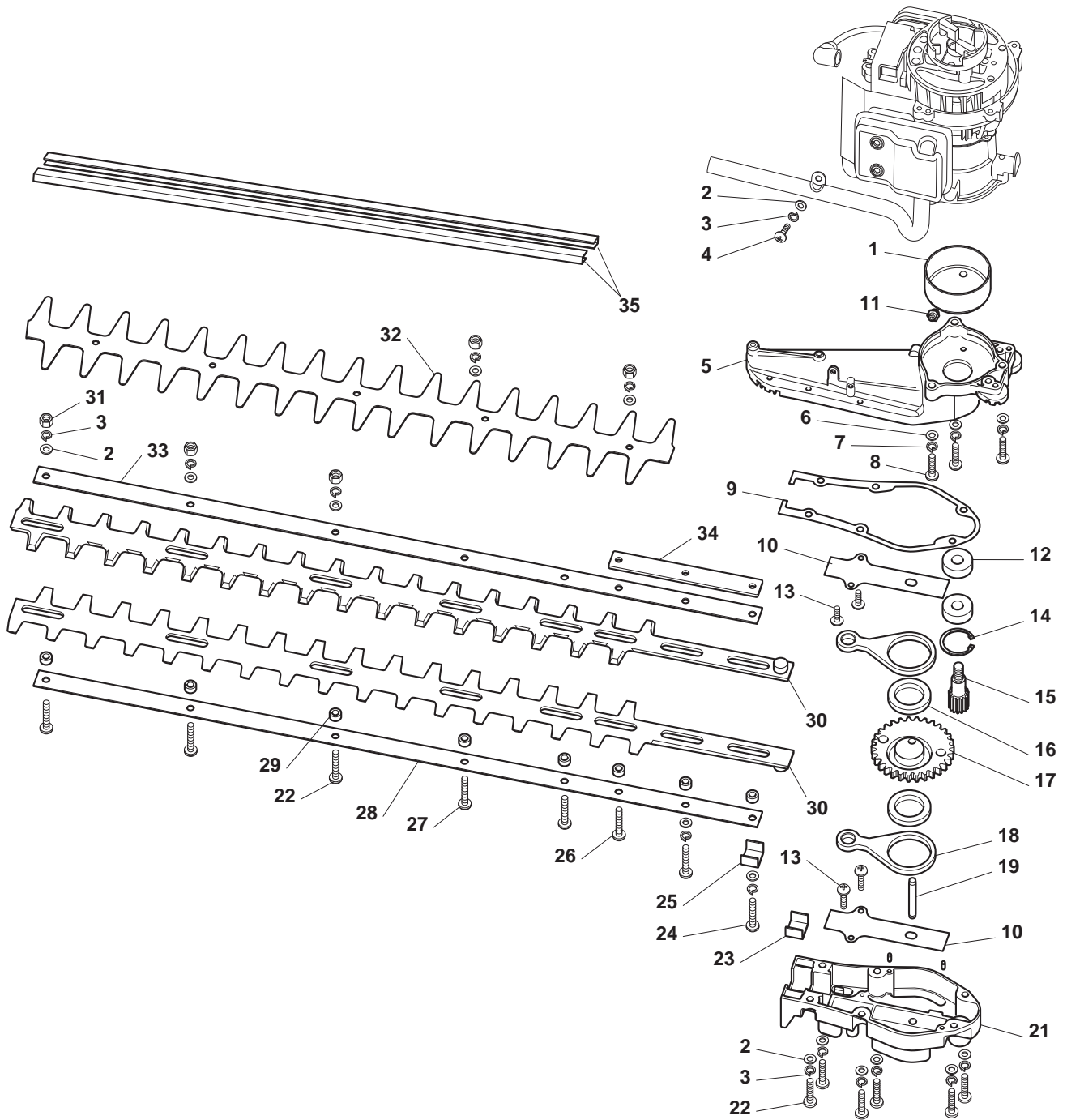




SHP 60		Petrol hedge trimmer		
POS	CODE	Q.TY	DESCRIPTION	NOTES
1	123120012/0	1	Screw	
2	123878109/0	2	Screw	
3	183082003/0	2	Starter Cup	
7	123880014/0	1	Flywheel	
8	123878081/0	5	Screw	
9	123657017/0	9	Spring Washer	
10	123657013/0	9	Washer	
11	119035164/0	1	Seal Ring	
12	112610003/0	1	Snap Ring	
13	123685020/0	1	Crank Case	
14	114215222/0	2	Bearing	
15	123020033/0	1	Crankshaft	
16	123753003/0	3	Pin	
17	123280077/0	1	Crankcase Gasket	
18	123685021/0	1	Crank Case	
19	119035165/0	1	Seal Ring	
20	123657019/0	1	Washer	
21	123445268/0	1	Clutch-Mass Guide Plate	
23	183215010/0	1	Clutch Ass.Y	
25	123878111/0	2	Screw	
26	123065045/0	1	Spark Plug Cable	
27	123878081/0	2	Screw	
28	123657013/0	2	Washer	
29	123657017/0	2	Spring Washer	
30	123044016/0	1	Ignition Ass'Y	
31	123160063/0	2	Bushing	
32	123652505/0	2	Washer	
33	123235008/0	1	Needle Bearing	
34	183590007/0	1	Piston Assy	
37	123204016/0	2	Piston Ring	
38	123280078/0	1	Cylinder Gasket	
39	123878081/0	2	Screw	
40	183740020/0	1	Muffler	
41	123280079/0	2	Gasket	
42	123600078/0	1	Guard	
43	3210024	1	Spark Plug	
44	123071023/0	1	Cylinder	
45	123280080/0	1	Gasket	
46	123120013/0	2	Nut	
47	118801419/0	1	Intake Manifold	
48	112789195/0	2	Screw	
49	118801420/0	1	Spark Plug Cover	
50	123600080/0	1	Cylinder Cover	
51	118801421/0	1	Carburetor Gasket	
52	118801422/0	1	Carburetor	
53	118801423/0	1	Air Cleaner Base	
54	123878114/0	2	Screw	
55	118801424/0	1	Air Filter	
56	118801425/0	1	Air Cleaner Cover, Yellow	
57	118802164/0	1	Choke Lever, Black	



SHP 60		Petrol hedge trimmer		
POS	CODE	Q.TY	DESCRIPTION	NOTES
1	123300014/0	1	Fore Handle	
2	123878121/0	2	Screw	
3	118801428/0	1	Muffler Cover, Yellow	
4	123430606/0	2	Spring	
5	123657022/0	5	Washer	
6	123657017/0	4	Spring Washer	
7	123878120/0	4	Screw	
8	123784008/0	1	Case	
9	123430607/0	2	Spring	
10	123790023/0	2	Cap, Black	
10	118801431/0	2	Cap, Grey	
11	123878121/0	16	Screw	
12	123109588/0	1	Cover	
13	118801432/0	1	Knob	
14	123700065/0	1	Left Handgrip	
15	118801433/0	1	Spring	
16	123315099/0	1	Lever	
17	118801434/0	1	Safety Lever, Black	
18	123430609/0	1	Spring	
19	118801436/0	1	Throttle Lever, Black	
20	123700066/0	1	Right Handgrip	
21	123303007/0	1	Screw	
22	123202008/0	1	Retainer	
23	123878115/0	2	Screw	
24	123657023/0	1	Grommet	
25	123044223/0	1	Bush	
26	123878124/0	1	Screw	
27	123733006/0	1	Tank	
28	123275031/0	2	Grommet	
29	118801439/0	1	Fuel Cap	
36	183520009/0	1	Intake Filter	
37	123867028/0	1	Tube	
38	1232940080	1	Plate	
39	123878122/0	1	Screw	
40	123867029/0	1	Tube	
41	123275032/0	1	Grommet	
42	118801440/0	1	Starter Handle	
43	123234007/0	1	Starter Cord	
45	118801449/0	1	Starter Ass.Y ,Black	
46	123430610/0	1	Starter Spring	
47	123604013/0	1	Starter Pulley	
48	112728445/0	1	Screw	
49	118801441/0	1	Engine Cover, Yellow	
50	112735654/0	4	Screw	
51	118801444/0	1	Engine Cover, Yellow	
52	183065030/0	1	Spark Plug Cable	
53	118801447/0	1	Wire Ass.Y	
54	118801448/0	1	Cable Retainer	
55	112726389/0	1	Screw	



SHP 60		Petrol hedge trimmer		
POS	CODE	Q.TY	DESCRIPTION	NOTES
1	123050010/0	1	Clutch Drum	
2	123657013/0	15	Washer	
3	123657017/0	15	Spring Washer	
4	123878117/0	2	Screw	
5	123685022/0	1	Upper Case	
6	123657013/0	4	Washer	
7	123657017/0	3	Spring Washer	
8	123878081/0	3	Screw	
9	123280082/0	1	Crankcase Gasket	
10	123208418/0	2	Spacer	
11	112379520/0	1	Grease Dispenser	
12	114215222/0	2	Bearing	
13	123878117/0	4	Screw	
14	112610003/0	1	Snap Ring	
15	123570052/0	1	Pinion	
16	114215222/0	2	Bearing	
17	123664000/0	1	Sprocket	
18	123041502/0	2	Connecting Rod	
19	123753003/0	1	Pin	
21	123685023/0	1	Lower Case	
22	123878081/0	9	Screw	
23	123280083/0	1	Shoe	
24	123878118/0	2	Screw	
25	123208419/0	1	Plate	
26	123878110/0	1	Screw	
27	123878113/0	2	Screw	
28	123294006/0	1	Blade Holder	
29	123044222/0	8	Bush	
30	123305004/0	2	Blade	
31	123120014/0	6	Nut	
32	123600081/0	1	Blade Guard	
33	123294007/0	1	Blade Holder	
34	123208420/0	1	Bracket	
35	123085002/0	1	Blade Cover	