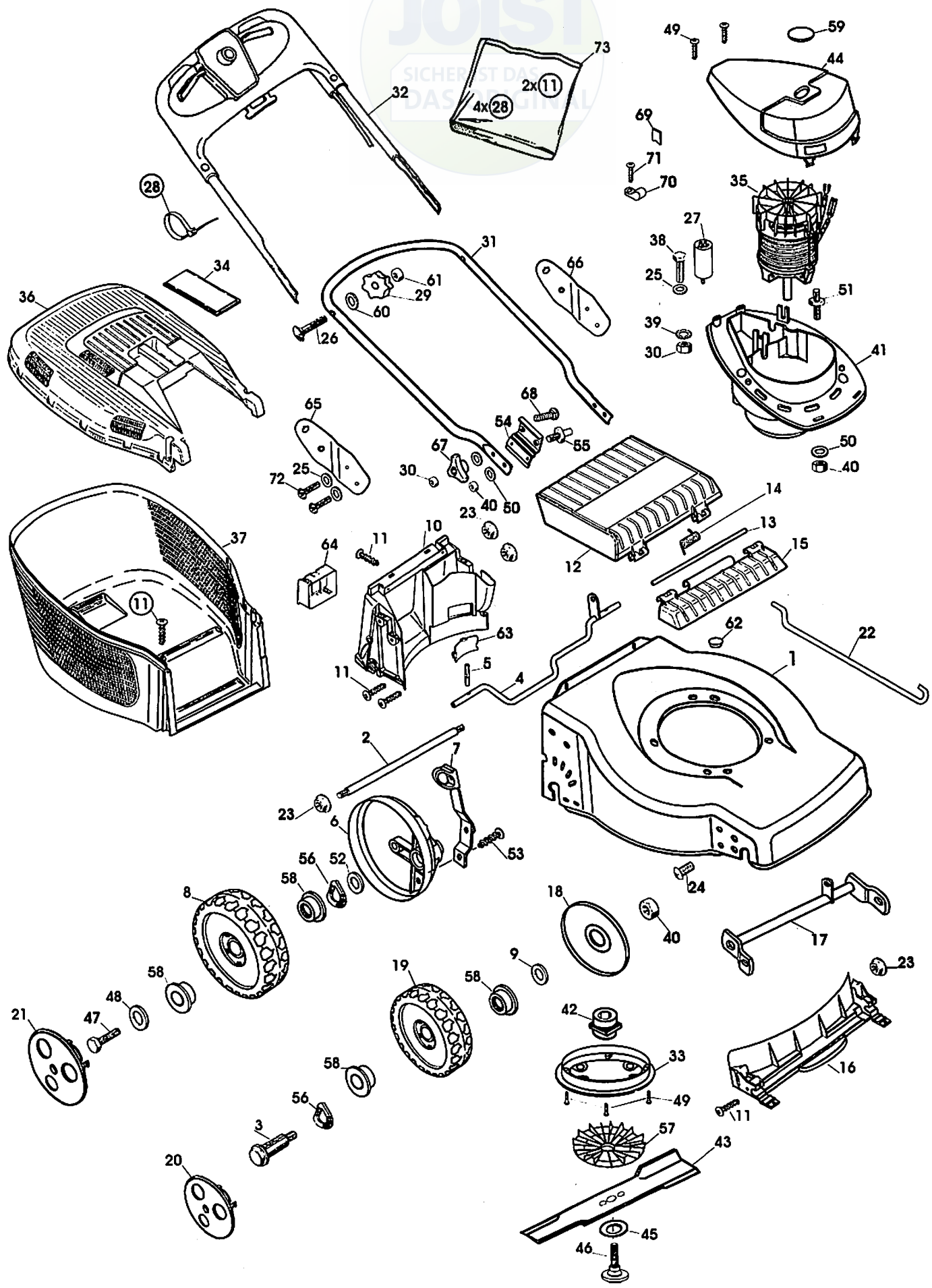


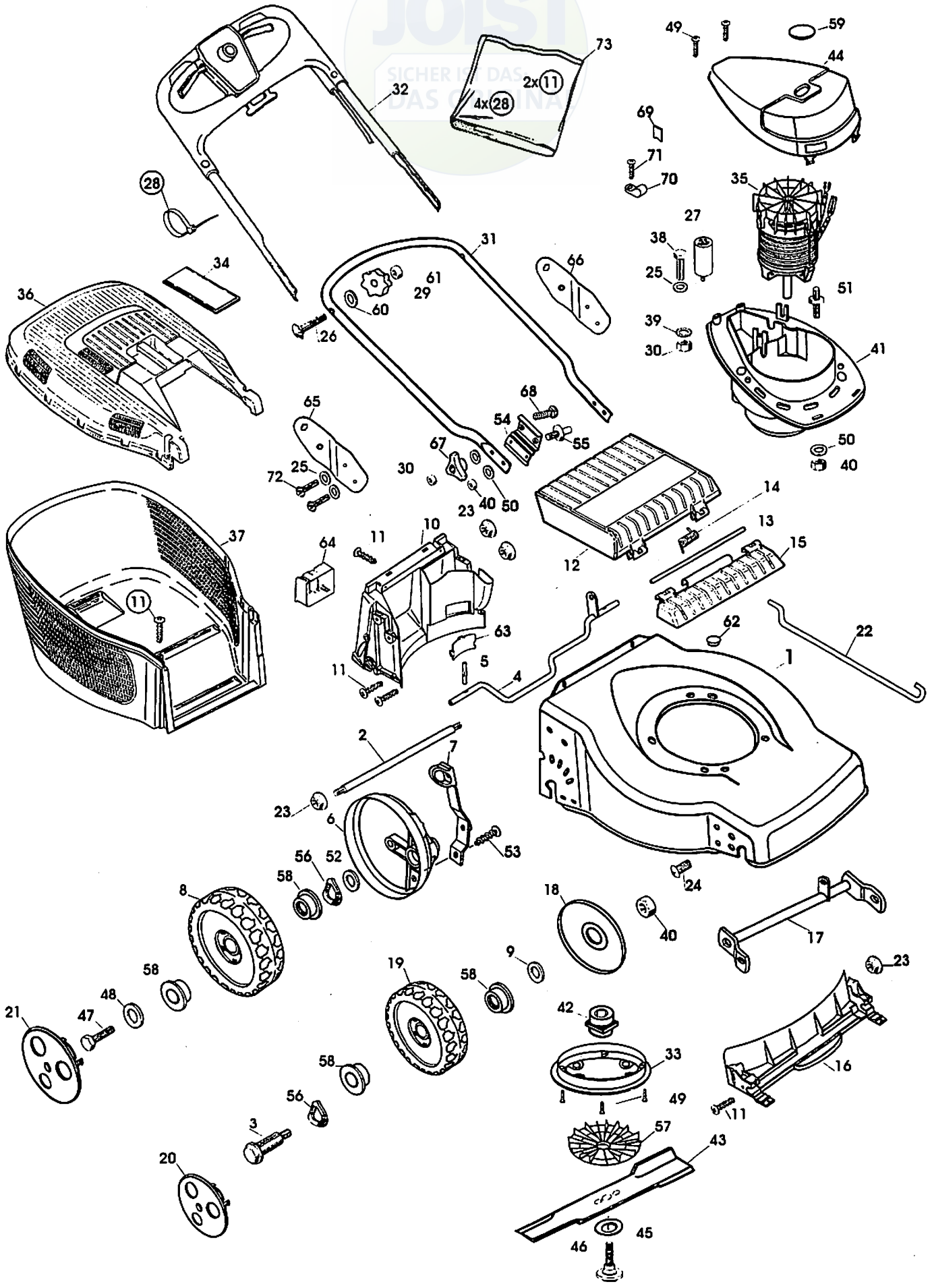
JOLST  
SICHERST DAS  
DAS



| Ausgabe<br>Issue |                 | Bild Nr.<br>Picture No |  | VARIOLUX 45 EM         |                          | VARIOLUX 45 EM            |             | Seite<br>Page      |  |
|------------------|-----------------|------------------------|--|------------------------|--------------------------|---------------------------|-------------|--------------------|--|
| 1999-1           |                 | B023                   |  |                        |                          |                           |             | 20                 |  |
| Pos.<br>Fig.     | Anzahl/Quantity |                        |  | Artikel Nr.<br>Part No | Bezeichnung              | Description               | Satz<br>Kit | Anmerkung<br>Notes |  |
|                  |                 |                        |  |                        |                          |                           |             |                    |  |
| X                | 1               | 1                      |  | 1117-1144-04           | Chassie.....             | Chassis.....              |             |                    |  |
|                  | 2               | 1                      |  | 1117-1159-01           | Verstärkungsstrebe.....  | Reinforcement.....        |             |                    |  |
| X                | 3               | 2                      |  | 1111-3164-01           | Radbolzen.....           | Wheel axle bolt.....      |             |                    |  |
|                  | 4               | 1                      |  | 1117-1173-01           | Hinterachse.....         | Shaft-backside.....       |             |                    |  |
|                  | 5               | 2                      |  | 9595-0212-00           | Spannstift.....          | Locating pin.....         |             |                    |  |
|                  | 6               | 2                      |  | 1117-1304-01           | Raddeckel.....           | Wheel protection cap..... |             |                    |  |
|                  | 7               | 1                      |  | 1117-1174-01           | Höheneinstellhebe.....   | Height adjust lever.....  |             |                    |  |
| X                | 8               | 2                      |  | 1111-3238-01           | Rad.....                 | Wheel.....                |             |                    |  |
|                  | 9               | 2                      |  | 9699-0078-02           | Scheibe.....             | Washer.....               |             |                    |  |
|                  | 10              | 1                      |  | 1117-1146-01           | Leitblech-hintere.....   | Baffle-rear.....          |             |                    |  |
|                  | 11              | 12                     |  | 9836-9516-12           | Schraube.....            | Screw.....                |             |                    |  |
|                  | 12              | 1                      |  | 1117-1156-02           | Klappe (schwarz).....    | Rear flap (black).....    |             |                    |  |
|                  | 13              | 1                      |  | 1117-1143-01           | Achse.....               | Shaft.....                |             |                    |  |
|                  | 14              | 1                      |  | 1117-1126-01           | Feder.....               | Spring-rear flap.....     |             |                    |  |
|                  | 15              | 1                      |  | 1117-1155-02           | Klappehalterung.....     | Rear flap holder.....     |             |                    |  |
|                  | 16              | 1                      |  | 1117-1145-01           | Leitblech-vordere.....   | Baffle-front.....         |             |                    |  |
|                  | 17              | 1                      |  | 1117-1334-01           | Vorderachse.....         | Front shaft.....          |             |                    |  |
|                  | 18              | 2                      |  | 1117-1161-01           | Radschutz.....           | Wheel protection.....     |             |                    |  |
| X                | 19              | 2                      |  | 1111-3163-01           | Rad.....                 | Wheel.....                |             |                    |  |
|                  | 20              | 2                      |  | 1111-2804-03           | Nabenkapsel.....         | Hub cap.....              |             |                    |  |
|                  | 21              | 2                      |  | 1111-2815-03           | Nabenkapsel-weiß.....    | Hub cap-white.....        |             |                    |  |
|                  | 22              | 1                      |  | 1117-1130-01           | Höheneinstellstange..... | Connection rod.....       |             |                    |  |
|                  | 23              | 8                      |  | 1117-1131-01           | Mutter.....              | Nut.....                  |             |                    |  |
|                  | 24              | 2                      |  | 9865-0816-16           | Schraube.....            | Screw.....                |             |                    |  |
|                  | 25              | 7                      |  | 9699-0028-02           | Scheibe.....             | Washer.....               |             |                    |  |
|                  | 26              | 2                      |  | 9899-3551-12           | Schraube.....            | Screw.....                |             |                    |  |
|                  | 27              | 1                      |  | 9400-0224-00           | Kondensator.....         | Capacitor.....            |             |                    |  |
|                  | 28              | 4                      |  | 9579-0008-00           | Kabelhalter.....         | Cable holder.....         |             |                    |  |
|                  | 29              | 2                      |  | 1111-3023-01           | Verriegelungsrads.....   | Locking knob.....         |             |                    |  |
|                  | 30              | 5                      |  | 9799-0831-02           | Mutter.....              | Nut.....                  |             |                    |  |
|                  | 31              | 1                      |  | 1117-1311-01           | Führungsholm-Untert..... | Handlebar-lower part..... |             |                    |  |
|                  | 32              | 1                      |  | 1117-1243-01           | Führungsholm-Obert.....  | Handlebar-upper part..... |             |                    |  |
|                  | 33              | 1                      |  | 1117-1212-01           | Motorschutz.....         | Motor protection.....     |             |                    |  |
|                  | 34              | 1                      |  | 1117-1135-01           | • Deckel.....            | • Cap for grassbag.....   |             |                    |  |
|                  | 35              | 1                      |  | 1117-1368-01           | El.Motor.....            | El.motor.....             |             |                    |  |
|                  | 36              | 1                      |  | 1117-1157-02           | Behälter-Oberteil.....   | Upper grass bag.....      |             | Inkl. 36           |  |
|                  | 37              | 1                      |  | 1117-1218-01           | Behälter-Unterteil.....  | Lower grass bag.....      |             |                    |  |
|                  | 38              | 3                      |  | 9997-0820-16           | Schraube.....            | Screw.....                |             |                    |  |
|                  | 39              | 3                      |  | 9678-0009-02           | Schloßscheibe.....       | Lock washer.....          |             |                    |  |
|                  | 40              | 8                      |  | 9716-0831-02           | Mutter.....              | Nut.....                  |             |                    |  |
|                  | 41              | 1                      |  | 1117-1372-01           | Motorgehäuse.....        | Motor mount.....          |             |                    |  |
|                  | 42              | 1                      |  | 1117-1151-01           | Messerhalter.....        | Blade mount.....          |             |                    |  |
|                  | 43              | 1                      |  | 1117-1260-01           | Messer.....              | Blade.....                |             |                    |  |
| X                | 44              | 1                      |  | 1117-1386-02           | Motorhaube Kompl.....    | Motor cover assy.....     |             | Inkl. 59           |  |
|                  | 45              | 1                      |  | 1117-1111-01           | Messerscheibe.....       | Disc washer.....          |             |                    |  |
|                  | 46              | 1                      |  | 1117-1169-01           | Messerbolzen.....        | Blade bolt.....           |             |                    |  |
|                  | 47              | 2                      |  | 9997-0614-16           | Schraube.....            | Screw.....                |             |                    |  |
|                  | 48              | 2                      |  | 1117-1175-01           | Scheibe.....             | Washer.....               |             |                    |  |
|                  | 49              | 6                      |  | 9836-9116-12           | Schraube.....            | Screw.....                |             |                    |  |
|                  | 50              | 8                      |  | 9699-0062-02           | Scheibe.....             | Flat washer.....          |             |                    |  |
|                  | 51              | 4                      |  | 1117-1112-01           | Bolzen.....              | Bolt.....                 |             |                    |  |
|                  | 52              | 2                      |  | 9699-0036-02           | Scheibe.....             | Flat washer.....          |             |                    |  |
|                  | 53              | 2                      |  | 9836-9512-12           | Schraube.....            | Screw.....                |             |                    |  |
|                  | 54              | 2                      |  | 1117-1192-01           | Isolierplatte.....       | Isolation.....            |             |                    |  |
|                  | 55              | 2                      |  | 1117-1267-01           | Bolzen.....              | Bolt.....                 |             |                    |  |
|                  | 56              | 4                      |  | 9694-0003-00           | Scheibe.....             | Washer.....               |             |                    |  |
|                  | 57              | 1                      |  | 1117-1299-01           | Ventilator.....          | Impeller.....             |             |                    |  |
| X                | 58              | 8                      |  | 9549-0053-00           | Kugellager.....          | Ball bearing.....         |             |                    |  |
|                  | 59              | 1                      |  | 1117-1357-01           | • Fenster.....           | • Window for cap.....     |             |                    |  |
|                  | 60              | 2                      |  | 9699-0025-02           | Scheibe.....             | Washer.....               |             |                    |  |
|                  | 61              | 2                      |  | 9795-3531-02           | Mutter.....              | Nut.....                  |             |                    |  |
|                  | 62              | 1                      |  | 1117-1119-01           | Propfen.....             | Cap.....                  |             |                    |  |
|                  | 63              | 1                      |  | 1117-1148-01           | Deckel.....              | Cap.....                  |             |                    |  |

-3210-

JOIST  
SICHER IN DAS  
DAS GELÄNDE



|                            |                                |                |                |                     |
|----------------------------|--------------------------------|----------------|----------------|---------------------|
| Ausgabe<br>Issue<br>1999-1 | Bild Nr.<br>Picture No<br>B023 | VARIOLUX 45 EM | VARIOLUX 45 EM | Seite<br>Page<br>22 |
|----------------------------|--------------------------------|----------------|----------------|---------------------|

| Pos.<br>Fig. | Anzahl/Quantity |  |  |  | Artikel Nr.<br>Part No | Bezeichnung          | Description              | Satz<br>Kit | Anmerkung<br>Notes |
|--------------|-----------------|--|--|--|------------------------|----------------------|--------------------------|-------------|--------------------|
|              |                 |  |  |  |                        |                      |                          |             |                    |
| 64           | 1               |  |  |  | 1111-2927-01           | Batteriehalter ..... | Battery holder .....     |             |                    |
| 65           | 1               |  |  |  | 1117-1310-01           | Halter-rechts .....  | Handle support-R.H. .... |             |                    |
| 66           | 1               |  |  |  | 1117-1309-01           | Halter-links .....   | Handle support-L.H. .... |             |                    |
| 67           | 2               |  |  |  | 1117-1108-01           | Griffknopf .....     | Knob .....               |             |                    |
| 68           | 2               |  |  |  | 9898-0835-12           | Schraube .....       | Screw .....              |             |                    |
| 69           | 1               |  |  |  | 1117-1359-01           | Klemme .....         | Clamp .....              |             |                    |
| 70           | 1               |  |  |  | 1117-1245-01           | Kabelklemme .....    | Cable clamp .....        |             |                    |
| 71           | 1               |  |  |  | 9849-7819-16           | Schraube .....       | Screw .....              |             |                    |
| 72           | 4               |  |  |  | 1117-1364-01           | Schraube .....       | Screw .....              |             |                    |
| 73           | 1               |  |  |  | 1117-3028-01           | Montagesatz .....    | Assy kit .....           |             |                    |

X