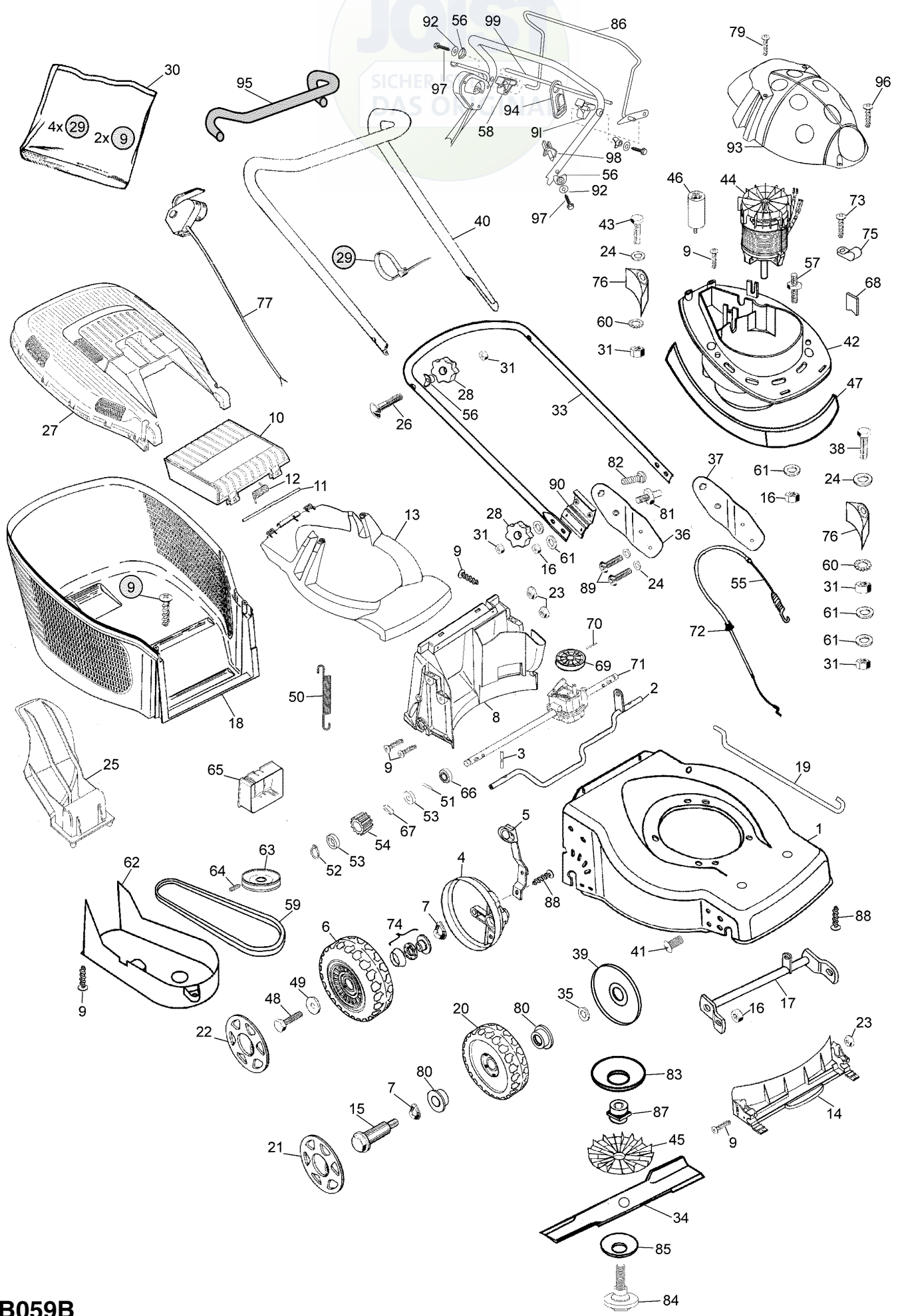
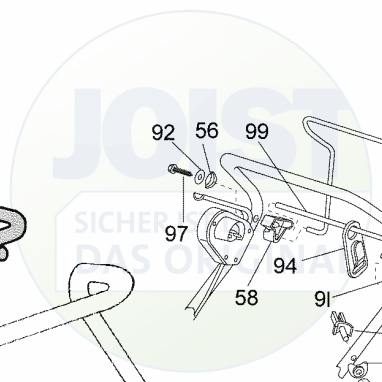


B059B



Ausgabe Issue 2004- 1		Bild Nr Picture No B059B		VARIOLUX 45 ECA		VARIOLUX 45 ECA		Seite Page 44	
Pos. Fig.	Anzahl/Quantity			Artikel Nr. Part No	Bezeichnung	Description	Satz Kit	Anmerkung Notes	
	1	1		1117-3356-02	Chassie- grau .....	Deck- grey .....			
	2	1		1117-1173-01	Hinterachse .....	Shaft- backside.....			
	3	2		9595-0212-00	Spannstift .....	Locating pin .....			
	4	2		1117-3256-01	Raddeckel .....	Wheel protection cap .....			
	5	1		1117-1174-01	Höheneinstellhebe .....	Height adjust lever .....			
	6	2		1111-2663-01	Rad .....	Wheel .....			
	7	4		9694-0003-00	Scheibe .....	Washer .....			
	8	1		1117-3008-01	Leitschiene- hintere .....	Baffle- rear .....			
	9	18		9836-9516-12	Schraube .....	Screw .....			
	10	1		1117-1156-09	Klappe- rot .....	Rear flap- red .....			
	11	1		1117-1143-01	Achse.....	Shaft .....			
	12	1		1117-1126-01	Feder .....	Spring- rear flap .....			
	13	1		1117-3377-02	Chassiedeckel- rot .....	Deck cover- red .....			
	14	1		1117-3007-01	Leitschiene- vordere .....	Baffle- front .....			
	15	2		1111-3164-01	Radbolzen.....	Wheel axle bolt.....			
	16	8		9716-0831-02	Mutter .....	Nut .....			
	17	1		1117-1334-01	Vorderachse .....	Front shaft.....			
	18	1		1117-1218-01	Behälter- Unterteil .....	Lower grass bag .....			
	19	1		1117-1130-01	Höheneinstellstange .....	Connection rod .....			
	20	2		1111-3163-01	Rad .....	Wheel .....			
	21	2		1111-3084-07	Nabenkapsel- grau .....	Hub cap- grey .....			
	22	2		1111-3085-07	Nabenkapsel- grau .....	Hub cap- grey .....			
	23	6		1117-1131-01	Mutter .....	Nut .....			
	24	7		9699-0028-02	Scheibe.....	Flat washer.....			
	25	1		1117-3001-01	Mulcherpropfen .....	Mulch plug .....			
	26	2		1136-0620-01	Schraube .....	Screw .....			
	27	1		1117-1157-11	Behälterdeckel- rot .....	Grassbag cover- red .....			
	28	4		1117-3194-01	Verriegelungsrad .....	Locking knob .....			
X	29	4		1136-1403-01	Kabelhalter.....	Cable holder .....			
X	30	1		1136-1416-01	Montagesatz .....	Assy kit .....			
	31	8		9799-0831-02	Mutter .....	Nut .....			
	32	1		9799-0631-02	Mutter .....	Nut .....			
X	33	1		1136-1435-01	Holm- Unterteil .....	Handlebar- lower part.....			
	34	1		1111-9724-01	Messer.....	Blade .....			
	35	2		9699-0078-02	Scheibe.....	Washer .....			
	36	1		1117-1310-01	Halter- rechts .....	Handle support- R.H.....			
	37	1		1117-1309-01	Halter- links .....	Handle support- L.H.....			
	38	1		9997-0880-16	Schraube .....	Screw .....			
	39	2		1117-1161-01	Radschutz.....	Wheel protection .....			
X	40	1		1136-1436-01	Holm- Oberteil .....	Handlebar- upper part .....			
	41	2		9939-0816-16	Schraube .....	Screw .....			
	42	1		1117-1372-02	Motorgehäuse- schwarz .....	Motor mount- black.....			
	43	2		1136-1213-01	Schraube .....	Screw .....			
	44	1		1117-1369-01	El.Motor .....	El.motor .....		1800 W	
	45	1		1117-1299-01	Ventilator .....	Impeller .....			
	46	1		9400-0224-00	Kondensator .....	Capacitor.....			
	47	1		1117-1373-02	Motorschutz- schwarz .....	Motor cover- black .....			
X	48	2		1136-1397-01	Schraube .....	Screw .....			
	49	2		9699-0085-02	Scheibe.....	Flat washer.....			
	50	1		1117-1120-01	Feder .....	Spring .....			
	51	2		9591-0011-00	Stift .....	Pin .....			
	52	2		1117-1083-01	Schließring .....	Safety ring.....			
	53	4		1111-2830-01	Stützscheibe .....	Support washer.....			
	54	2		1111-3075-01	Zahnrad- plastikrad .....	Pinion- plastic wheel .....			
X	55	1		1136-1428-01	Kupplungsdraht.....	Clutch cable .....			
	56	5		1136-0693-01	Scheibe.....	Washer .....			
	57	4		1117-1112-01	Bolzen.....	Bolt .....			
X	58	1		1136-1424-01	Halter- rechts .....	Holder- R.H. ....			
	59	1		1111-9725-01	Keilriemen .....	V- belt.....			
	60	3		9678-0009-02	Schloßscheibe .....	Lock washer.....			
	61	10		9699-0062-02	Scheibe.....	Flat washer.....			
	62	1		1117-1147-01	Riemenschutz.....	Transmission cap .....			
	63	1		1117-3266-01	Riemenscheibe .....	Pulley .....			



B059B



Ausgabe Issue 2004- 1		Bild Nr Picture No B059B		VARIOLUX 45 ECA		VARIOLUX 45 ECA		Seite Page 46	
Pos. Fig.	Anzahl/Quantity			Artikel Nr. Part No	Bezeichnung	Description	Satz Kit	Anmerkung Notes	
X	64	1		1136-1417-01	Schraube .....	Screw .....			
	65	1		1111-2927-01	Batteriehalter .....	Battery holder .....			
	66	2		9549-0053-00	Kugellager .....	Ball bearing .....			
	67	2		1111-3256-01	Treibkeil .....	Drive key .....			
	68	1		1117-1359-01	Klemme .....	Clamp .....			
	69	1		1117-3018-01	• Riemenscheibe .....	• Pulley .....			
	70	1		1111-2382-01	• Stift .....	• Pin .....			
X	71	1		1136-1408-01	Schaltkasten Kpl .....	Transmission assy .....		Inkl. 69, 70	
X	72	1		1136-1399-01	Kabelschutz .....	Cable protector .....			
	73	1		9849-7819-16	Schraube .....	Screw .....			
	74	4		1111-3296-01	Kugellager .....	Ball bearing .....			
	75	1		1117-1245-01	Kabelklemme .....	Cable clamp .....			
	76	3		1117-1361-01	Motorstütz .....	Motor support .....			
X	77	1		1136-1420-01	Schalter .....	Switch .....		die Schweiz	
X	77	1		1136-1421-01	Schalter .....	Switch .....			
	78	2		9836-9225-12	Schraube .....	Screw .....			
	79	2		9836-9525-12	Schraube .....	Screw .....			
	80	4		9549-0053-00	Kugellager .....	Ball bearing .....			
	81	2		1117-1267-01	Bolzen .....	Bolt .....			
	82	2		9898-0835-12	Schraube .....	Screw .....			
	83	1		1117-1358-01	Schutz .....	Motor shaft protectio .....			
	84	1		1111-9715-01	Messerbolzen .....	Blade bolt .....			
	85	1		1117-1111-01	Messerscheibe .....	Disc washer .....			
X	86	1		1136-1429-01	Regulierbügel .....	Control lever .....			
	87	1		1117-1151-01	Messerhalter .....	Blade mount .....			
	88	4		9836-9512-12	Schraube .....	Screw .....			
	89	4		1117-1364-01	Schraube .....	Screw .....			
	90	2		1117-1192-01	Isolierplatte .....	Isolation .....			
X	91	1		1136-1425-01	Halter- links .....	Holder- L.H .....			
	92	3		9699-0060-02	Scheibe .....	Flat washer .....			
	93	1		1117-3378-02	Motordeckel- rot .....	Motor cover- red .....			
	94	1		9579-0009-00	Kabelhalter .....	Cable restrainer .....			
	95	1		1117-3036-01	Griff .....	Foam grip .....			
	96	2		9849-7819-16	Schraube .....	Screw .....			
X	97	3		1136-1419-01	Schraube .....	Screw .....			
X	98	1		1136-1426-01	Halter .....	Holder .....			
X	99	1		1136-1422-01	Kabelhalter .....	Cable holder .....			