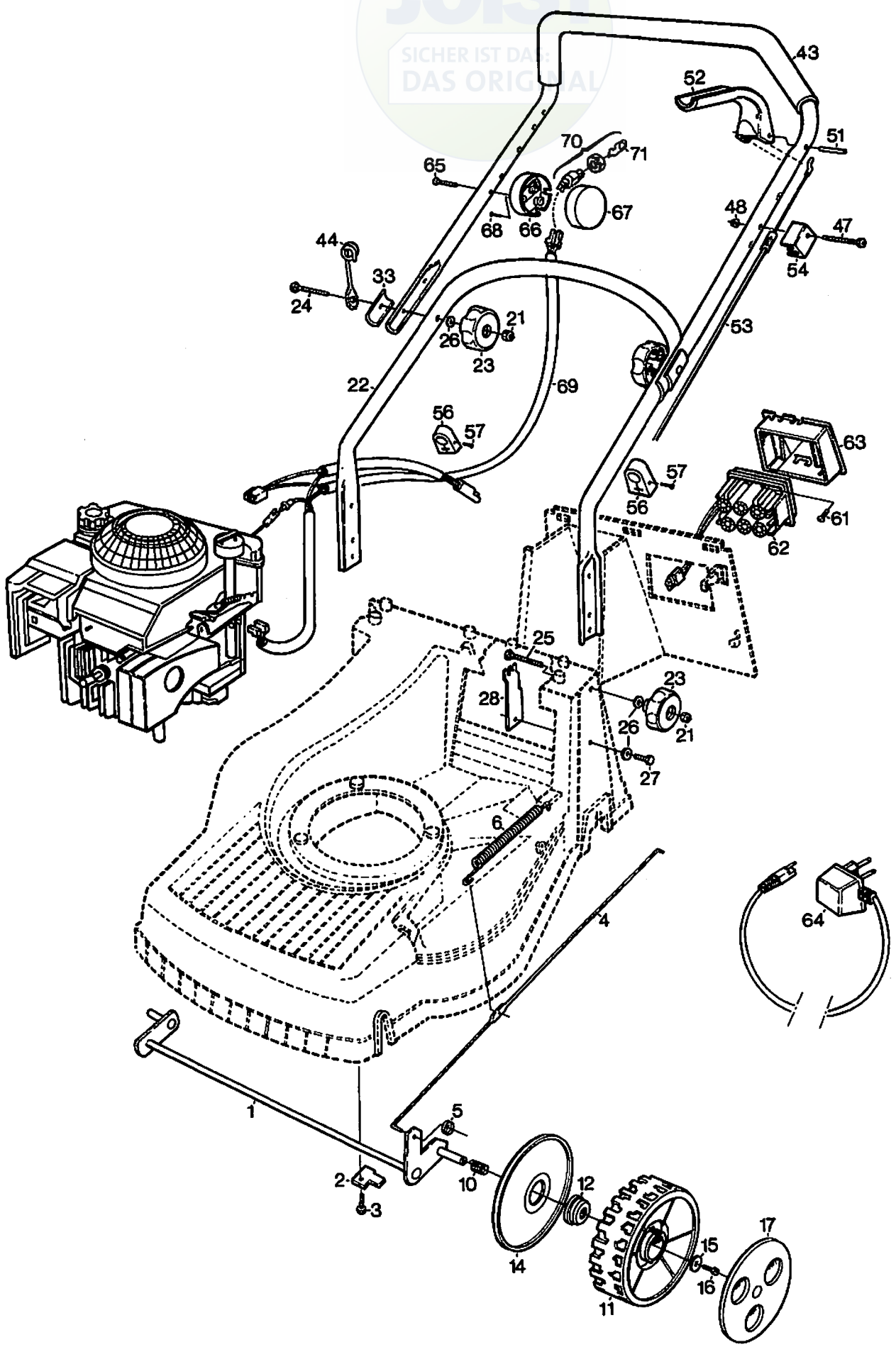
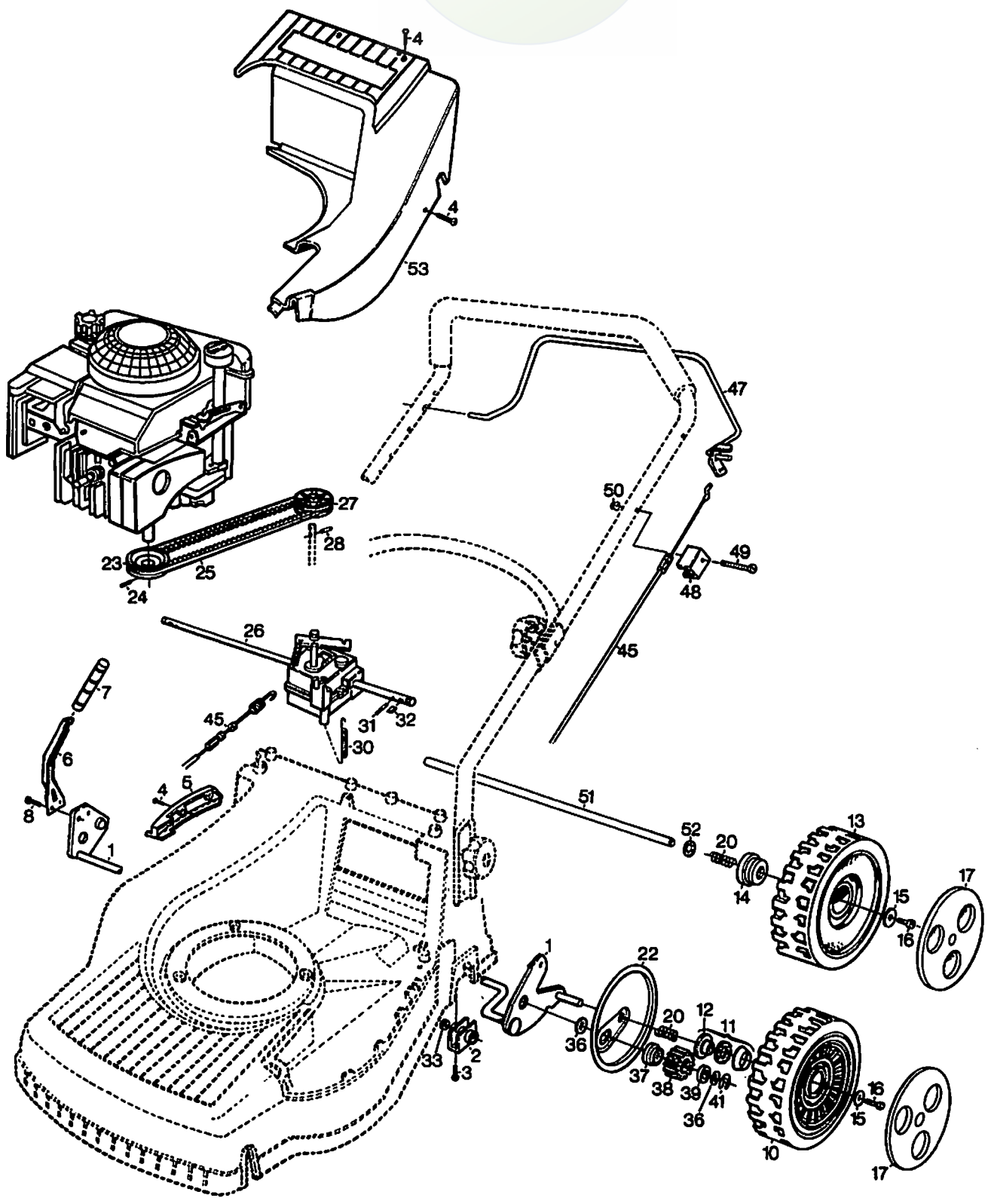


Ausgabe Issue 1999-1	Bild Nr. Picture No B017	VARIOLUX ALU 45 BM-45 BMA-45 BMAE CHASSIE	VARIOLUX ALU 45 BM-45 BMA-45 BMAE CHASSIS	Seite Page 40
----------------------------	--------------------------------	-------------------------------------------------	-------------------------------------------------	---------------------

Pos. Fig.	Anzahl/Quantity		Artikel Nr. Part No	Bezeichnung	Description	Satz Kit	Anmerkung Notes
	1390	1690 1699					
	1	1	1111-9089-01	Messer.....	Blade.....		
	2	1	9987-5251-12	Schraube.....	Screw.....		
	3	1	9696-0011-01	Scheibe.....	Washer.....		
	4	1	1111-9070-01	Messerhalterung.....	Blade holder.....		
	5	1	9600-0014-00	Keil.....	Key.....		
X	8	1	1111-3100-14	Chassie-rot.....	Chassis-red.....		
X	9	1	1111-3104-02	Klappebefestigung.....	Flap attachment.....		
	10	6	9947-0616-16	Schraube.....	Screw.....		
	11	1	1111-3181-01	Feder.....	Spring.....		
X	12	1	1111-3103-02	Klappe-schwarz.....	Flap-black.....		
	15	1	1111-3101-01	Hinterer Halterung.....	Rear attachment.....		
X	16	1	1111-3236-01	Halterung-links.....	Attachment-l.h.....		
X	17	1	1111-3237-01	Halterung-rechts.....	Attachment-r.h.....		
	18	4	9836-9520-12	Schraube.....	Screw.....		
	19	1	9838-9522-12	Schraube.....	Screw.....		
	22	3	9955-3732-12	Schraube.....	Screw.....		
X	25	1	1111-3105-02	Grassamler-Oberteil.....	Top collector.....		
	26	1	1111-2764-01	Deckel.....	Cover.....		
X	32	1	1111-3106-01	Grassamler-Unterteil.....	Collector-lower part.....		
X	33	1	1111-3116-01	Grassamler-Unterteil.....	Collector-lower part.....		
	95	1	1111-3186-01	Motorhaube.....	Engine cover.....		1390, 1690
	96	1	9987-4732-19	Schraube.....	Screw.....		
	97	1	9699-0099-02	Scheibe.....	Washer.....		



Ausgabe Issue		Bild Nr. Picture No		VARIOLUX ALU 45 BM-45 BMA-45 BMAE FÜHRUNGSHOLM		VARIOLUX ALU 45 BM-45 BMA-45 BMAE HANDLEBAR		Seite Page	
1999-1		B018						42	
Pos. Fig.	Anzahl/Quantity			Artikel Nr. Part No	Bezeichnung	Description	Satz Kit	Anmerkung Notes	
	1390	1690	1699						
1	1	1	1	1111-2805-03	Vorderachse .....	Front axle .....			
2	2	2	2	1111-1504-01	Klemme .....	Retainer .....			
3	2	2	2	9947-0616-16	Schraube .....	Screw .....			
4	1	1	1	1111-2818-02	Zugstange.....	Height adjusting rod.....			
5	2	2	2	9675-0011-00	Verriegelungsscheibe .....	Starlock .....			
6	1	1	1	1111-2819-01	Feder .....	Spring .....			
10	2	2	2	1111-1138-01	Feder .....	Spring .....			
11	2	2	2	1117-1167-01	Rad .....	Wheel .....			
12	4	4	4	1117-1109-01	Kugellager .....	Ball bearing .....			
14	2	2	2	1117-1161-01	Radschutz.....	Wheel protection .....			
15	2	2	2	9699-0100-02	Scheibe.....	Washer .....			
16	2	2	2	9943-0612-16	Schraube .....	Screw .....			
17	2	2	2	1111-2804-03	Nabenkapsel .....	Hub cap .....			
21	4	4	4	9795-3531-02	Mutter .....	Nut .....			
22	1	1	1	1111-3248-01	Führungsholm-Untert. ....	Handlebar-lower part .....			
23	4	4	4	1111-3023-01	Verriegelungsrad .....	Locking knob .....			
24	2	2	2	9899-3557-12	Schraube .....	Screw .....		57 mm	
25	2	2	2	9899-3545-12	Schraube .....	Screw .....		45 mm	
26	6	6	6	9699-0028-02	Scheibe.....	Washer .....			
27	2	2	2	9939-0820-16	Schraube .....	Screw .....			
28	2	2	2	1111-3024-01	Festplatte .....	Attachment plate .....			
33	2	2	2	1111-0178-00	Verstärkung .....	Reinforcement .....			
43	1	1	1	1117-3005-01	Führungsholm-Oberteil.....	Handlebar-upper part .....			
44	1	1	1	1111-3062-01	Augenlenkung.....	Eyelink .....			
47	1	1	1	9948-0640-16	Schraube .....	Screw .....			
48	1	1	1	9747-0631-02	Mutter .....	Lock nut .....			
51	1	1	1	9595-0258-00	Spannstift .....	Locating pin .....			
52	1	1	1	1117-1177-01	Regulierbügel .....	OPC lever .....			
X 53	1	1		1111-3250-01	Motorbremsdraht .....	Engine brake cable .....			
X 53			1	1111-3250-02	Motorbremsdraht .....	Engine brake cable .....			
54	1	1	1	1111-2969-01	Drahthalter.....	Cable attachment .....			
56	1	1	2	1111-2018-01	Kabelhalter.....	Cable holder .....			
X 57	1	1	2	9838-9512-12	Schraube .....	Screw .....			
61			2	9836-9512-12	Schraube .....	Screw .....			
62			1	9400-0218-00	Batterie .....	Battery .....			
63	1	1	1	1111-2927-01	Batteriehalter .....	Battery holder .....			
64			1	9400-0219-00	Ladegerät.....	Charger .....			
65			2	9838-9540-12	Schraube .....	Screw .....			
66			1	1111-2020-01	Gehäuse.....	Housing .....			
67			1	1111-2021-01	Deckel.....	Cover .....			
68			1	9838-9216-12	Schraube .....	Screw .....			
X 69			1	1111-2825-02	Kabelbündel.....	Harness.....			
70			1	9400-0186-00	Zündschloß.....	Starting switch assy.....			
71			1	1134-2848-01	• Zündschlüssel.....	• Ignition key .....			



Ausgabe Issue 1999-1		Bild Nr. Picture No B019		VARIOLUX ALU 45 BM-45 BMA-45 BMAE TRANSMISSION		VARIOLUX ALU 45 BM-45 BMA-45 BMAE TRANSMISSION		Seite Page 44	
Pos. Fig.	Anzahl/Quantity			Artikel Nr. Part No	Bezeichnung	Description	Satz Kit	Anmerkung Notes	
	1390	1690 1699							
1	1	1		1111-3114-01	Hinterachse .....	Rear axle .....			
2	2	2		1111-2814-01	Buchse .....	Bushing .....			
3	4	4		9947-0616-16	Schraube .....	Screw .....			
4	5	5		9838-9522-12	Schraube .....	Screw .....			
5	1	1		1111-2798-01	Höheneinstellsegment .....	Height adj. quadrant .....			
6	1	1		1111-2816-01	Höheneinstellhebel .....	Height adj. lever .....			
7	1	1		1111-2817-01	Griff .....	Lever knob .....			
8	2	2		9943-0612-16	Schraube .....	Screw .....			
10		2		1111-2665-01	Rad mit Kugellager .....	Wheel Assy .....			
11		2		1111-9047-01	• Kugellagersatz .....	• Ball bearing kit .....			
12		2		1111-1184-01	• • Außenring .....	• • Bearing cone .....			
13	2			1117-1224-01	Rad .....	Wheel .....			
14	4			1117-1109-01	Kugellager .....	Ball bearing .....			
15	2	2		9699-0100-02	Scheibe .....	Washer .....			
16	2	2		9943-0612-16	Schraube .....	Screw .....			
17	2	2		1111-2815-03	Nabenkapsel-weiß .....	Hub cap-white .....			
20	2	2		1111-3060-01	Feder .....	Spring .....			
22		2		1111-2561-01	Deckel .....	Cover plate .....			
23		1		1111-2915-01	Motorriemenscheibe .....	Engine belt pulley .....			
24		1		9910-0612-16	Schraube .....	Set screw .....			
25		1		1111-9053-01	Keilriemen .....	Drive belt .....			
26		1		1111-3111-01	Getriebe kompl. ....	Transmission Assy .....			
27		1		1111-3047-01	Riemenscheibe .....	Belt pulley .....			
28		1		9595-0235-00	Spannstift .....	Locating pin .....			
30		1		1111-2822-01	Zugfeder .....	Tension spring .....			
31		2		1111-2382-01	Stift .....	Pin .....			
X 32		2		1111-3256-01	Treibkeil .....	Drive key .....			
33		2		9404-0083-00	Dichtungsring .....	Seal ring .....			
36		4		9695-0013-00	Scheibe .....	Washer .....			
37		2		1111-2829-01	Schloßscheibe .....	Lock washer .....			
38		2		1111-3075-01	Zahnrad .....	Gear wheel .....			
39		2		1111-2830-01	Stützscheibe .....	Support washer .....			
41		2		9652-0010-04	Seegersicherung .....	Snap .....			
X 45		1		1111-3249-01	Kupplungsdraht .....	Clutch cable .....			
47		1		1117-1374-01	Bügel .....	Control handle .....			
48		1		1111-2969-01	Drahthalter .....	Cable attachment .....			
49		1		9948-0640-16	Schraube .....	Screw .....			
50		1		9747-0631-02	Mutter .....	Lock nut .....			
51	1			1111-2924-02	Welle .....	Axle .....			
52	2			9675-0017-02	Verriegelungsscheibe .....	Lock washer .....			
X 53	1	1		1111-3102-14	Deckel-rot .....	Cover-red .....			