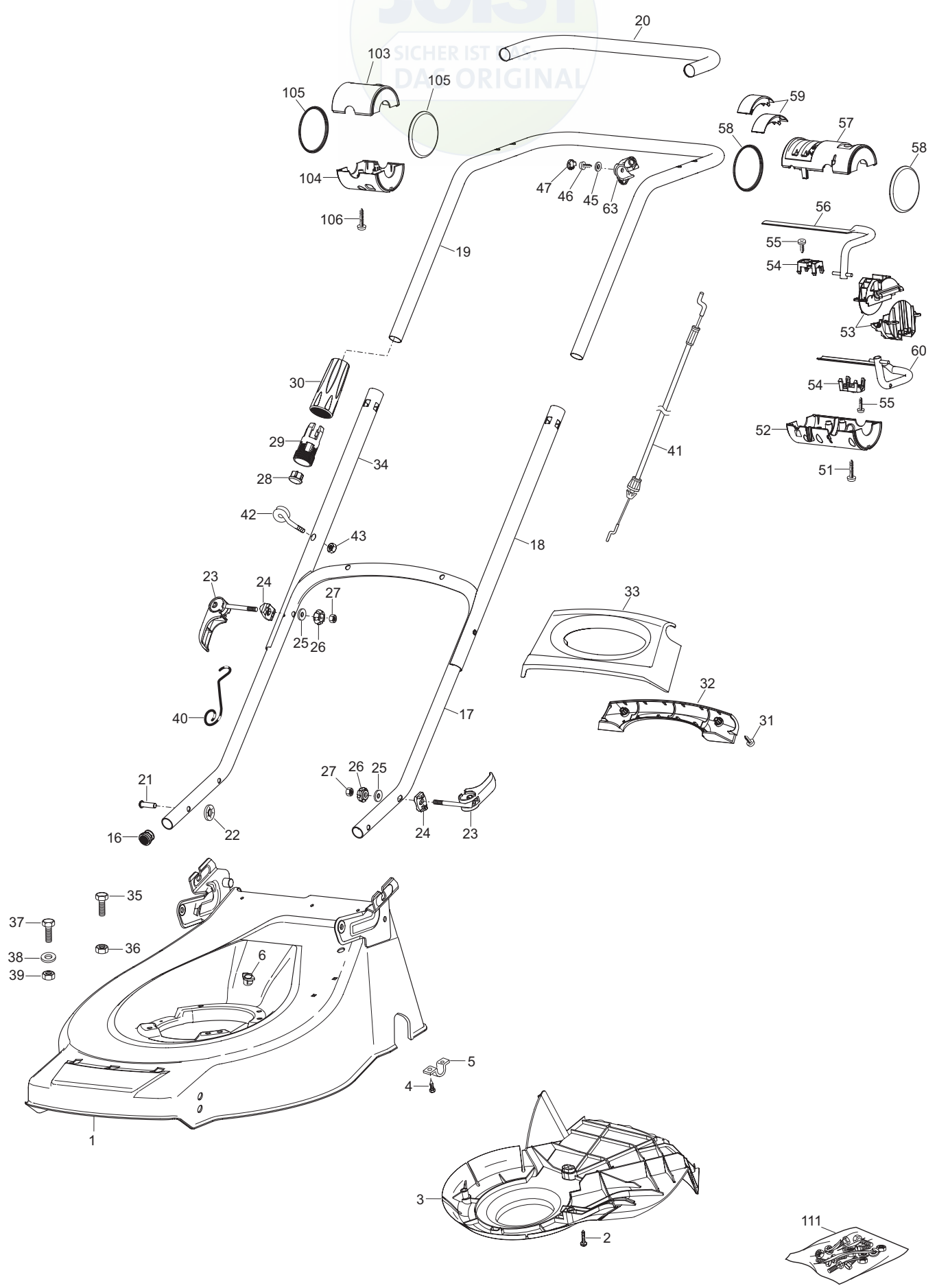


JOIST  
SICHER IST DAS ORIGINAL

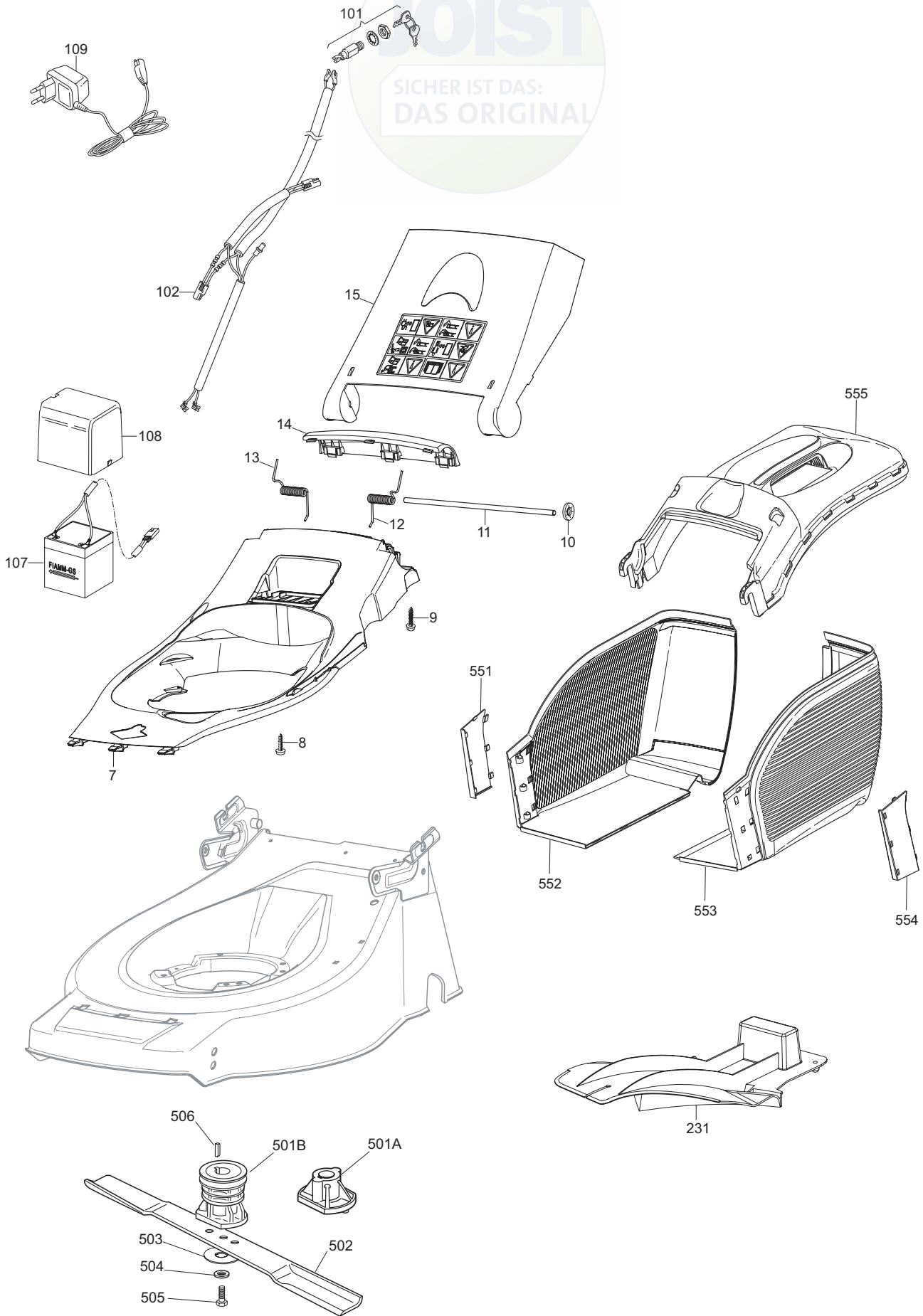


B105



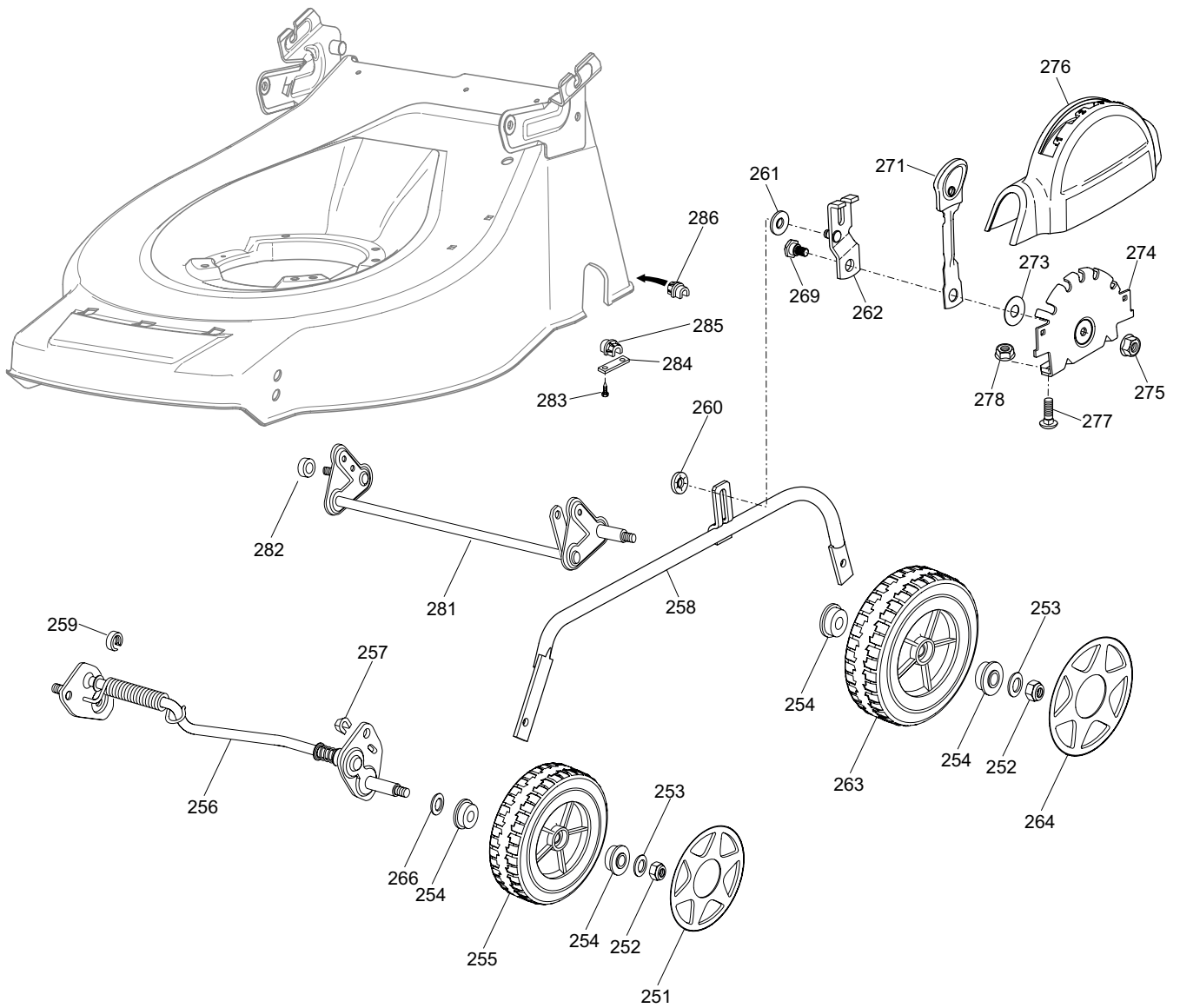
| Ausgabe<br>Issue<br>2005- 1 |                 | Bild Nr<br>Picture No<br>B105 |            |                        | VARIOLUX 48 BC-<br>48 BCA- 48 BCAE<br>CHASSIE<br>HOLM | VARIOLUX 48 BC-<br>48 BCA- 48 BCAE<br>CHASSIS<br>HANDLE | Seite<br>Page<br>46      |                    |
|-----------------------------|-----------------|-------------------------------|------------|------------------------|---|---|--------------------------|--------------------|
| Pos.<br>Fig.                | Anzahl/Quantity |                               |            | Artikel Nr.<br>Part No | Bezeichnung   | Description   | Satz<br>Kit              | Anmerkung<br>Notes |
|                             | 48<br>BC        | 48<br>BCA                     | 48<br>BCAE |                        |   |   |                          |                    |
| X                           | 1               | 1                             | 1          | 1                      | 1136-1753-01  | Gehäuse.....  | Deck.....                |                    |
|                             | 2               | 3                             | 3          | 3                      | 1136-0615-01  | Schraube .....  | Screw.....               |                    |
|                             | 3               | 1                             | 1          | 1                      | 1136-1329-01  | Schutz .....  | Protection .....         |                    |
|                             | 4               | 4                             | 4          | 4                      | 9847-8119-16  | Schraube .....  | Screw.....               |                    |
|                             | 5               |                               | 2          | 2                      | 1136-0682-01  | Platte .....  | Plate.....               |                    |
|                             | 6               | 1                             | 1          | 1                      | 1136-0665-01  | Gummieinsatz.....                                       | Rubber insert .....      |                    |
|                             | 16              | 2                             | 2          | 2                      | 1136-0061-01  | Propfen.....  | Cap.....                 |                    |
| X                           | 17              | 1                             | 1          | 1                      | 1136-1761-01  | Holm- Unterteil .....                                   | Handle- lower .....      |                    |
| X                           | 18              | 1                             | 1          | 1                      | 1136-1765-01  | Holmrohr .....  | Handle tube .....        |                    |
| X                           | 19              | 1                             | 1          | 1                      | 1136-1763-01  | Holm- Oberteil .....                                    | Handle- upper.....       |                    |
| X                           | 20              | 1                             | 1          | 1                      | 1136-1716-01  | Handgriff .....   | Handgrip .....           |                    |
| X                           | 21              | 2                             | 2          | 2                      | 1136-1733-01  | Bolzen.....   | Pin.....                 |                    |
|                             | 22              | 2                             | 2          | 2                      | 9675-0012-02  | Verriegelungsscheibe .....                              | Locking washer .....     |                    |
| X                           | 23              | 4                             | 4          | 4                      | 1136-1755-01  | Hebel .....   | Handle lever .....       |                    |
| X                           | 24              | 4                             | 4          | 4                      | 1136-1738-01  | Scheibe.....  | Washer.....              |                    |
|                             | 25              | 4                             | 4          | 4                      | 1136-0309-01  | Scheibe.....  | Washer.....              |                    |
| X                           | 26              | 4                             | 4          | 4                      | 1136-1721-01  | Schloßrad .....   | Locking knob .....       |                    |
|                             | 27              | 4                             | 4          | 4                      | 9799-0831-02  | Mutter .....  | Nut.....                 |                    |
| X                           | 28              | 2                             | 2          | 2                      | 1136-1746-01  | Gummistopfen.....                                       | Cap.....                 |                    |
| X                           | 29              | 2                             | 2          | 2                      | 1136-1709-01  | Ringmutter .....  | Ring nut .....           |                    |
| X                           | 30              | 2                             | 2          | 2                      | 1136-1708-01  | Griff .....   | Knob .....               |                    |
| X                           | 31              | 2                             | 2          | 2                      | 1136-1681-01  | Schraube .....  | Screw.....               |                    |
| X                           | 32              | 1                             | 1          | 1                      | 1136-1720-01  | Griff- untere .....                                     | Knob- lower.....         |                    |
| X                           | 33              | 1                             | 1          | 1                      | 1136-1719-01  | Griff- obere .....                                      | Knob- upper .....        |                    |
| X                           | 34              | 1                             | 1          | 1                      | 1136-1762-01  | Holmrohr .....  | Handle tube .....        |                    |
|                             | 35              |                               | 3          | 2                      | 9997-0830-16  | Schraube .....  | Screw.....               | L = 30 mm          |
|                             | 36              |                               | 3          | 2                      | 9739-0831-22  | Mutter .....  | Nut.....                 |                    |
|                             | 37              | 3                             |            |                        | 9997-0830-16  | Schraube .....  | Screw.....               | L = 30 mm          |
|                             | 37              |                               |            | 1                      | 9997-0860-16  | Schraube .....  | Screw.....               | L = 60 mm          |
|                             | 38              | 2                             |            | 1                      | 9699-0028-02  | Scheibe.....  | Flat washer.....         |                    |
|                             | 39              | 3                             |            |                        | 9739-0831-22  | Mutter .....  | Nut.....                 |                    |
|                             | 39              |                               |            | 1                      | 9747-0831-02  | Mutter .....  | Lock nut .....           |                    |
| X                           | 40              | 1                             | 1          | 2                      | 1136-1722-01  | Seilführer .....  | Guide spring .....       |                    |
| X                           | 41              | 1                             | 1          |                        | 1136-1749-01  | Motorbremsdraht .....                                   | Engine brake cable ..... |                    |
| X                           | 41              |                               |            | 1                      | 1136-1750-01  | Motorbremsdraht .....                                   | Engine brake cable ..... |                    |
|                             | 42              | 1                             | 1          | 1                      | 1136-1343-01  | Seilöse.....  | Rope guide.....          |                    |
|                             | 43              | 1                             | 1          | 1                      | 9747-0531-02  | Mutter .....  | Nut.....                 |                    |
| X                           | 45              | 1                             | 1          | 1                      | 1136-1679-01  | Scheibe.....  | Washer.....              |                    |
| X                           | 46              | 1                             | 1          | 1                      | 1136-1680-01  | Schraube .....  | Screw.....               |                    |
| X                           | 47              | 1                             | 1          | 1                      | 1136-1747-01  | Deckel.....   | Cap.....                 |                    |
|                             | 51              | 6                             | 6          | 6                      | 9836-9225-12  | Schraube .....  | Screw.....               |                    |
| X                           | 52              | 1                             | 1          | 1                      | 1136-1710-01  | Schutz .....  | Protection .....         |                    |
| X                           | 53              | 1                             | 1          | 1                      | 1136-1743-01  | Stütz .....   | Support.....             |                    |
| X                           | 54              | 1                             | 2          | 2                      | 1136-1744-01  | Stütz .....   | Support.....             |                    |
|                             | 55              | 2                             | 4          | 4                      | 9836-9116-12  | Schraube .....  | Screw.....               |                    |
| X                           | 56              | 1                             | 1          | 1                      | 1136-1717-01  | Regulierbügel .....                                     | Control lever .....      |                    |
| X                           | 57              | 1                             | 1          | 1                      | 1136-1712-01  | Schutz .....  | Protection .....         |                    |
| X                           | 58              | 2                             | 2          | 2                      | 1136-1692-01  | Deckel.....   | Cap.....                 |                    |
| X                           | 59              | 2                             | 2          | 2                      | 1136-1734-01  | Deckel.....   | Cover plate.....         |                    |
| X                           | 60              |                               | 1          | 1                      | 1136-1718-01  | Regulierbügel .....                                     | Control lever .....      |                    |
| X                           | 63              | 1                             | 1          | 1                      | 1136-1742-01  | Stütz .....   | Support.....             |                    |
| X                           | 103             | 1                             | 1          |                        | 1136-1713-01  | Schutz .....  | Protection .....         |                    |
| X                           | 103             |                               |            | 1                      | 1136-1715-01  | Schutz .....  | Protection .....         |                    |
| X                           | 104             | 1                             | 1          | 1                      | 1136-1711-01  | Schutz .....  | Protection .....         |                    |
| X                           | 105             | 2                             | 2          | 2                      | 1136-1692-01  | Deckel.....   | Cap.....                 |                    |
|                             | 106             | 4                             | 4          | 4                      | 9836-9225-12  | Schraube .....  | Screw.....               |                    |
| X                           | 111             | 1                             | 1          | 1                      | 1136-1768-01  | Schraubensatz.....                                      | Screw set .....          |                    |

JOIST  
SICHER IST DAS:  
DAS ORIGINAL





| Ausgabe<br>Issue<br>2005- 1 |                 | Bild Nr<br>Picture No<br>B106 |            |   | VARIOLUX 48 BC-<br>48 BCA- 48 BCAE<br>MESSER<br>GRASFANGKORB | VARIOLUX 48 BC-<br>48 BCA- 48 BCAE<br>BLADE<br>GRASS COLLECTOR | Seite<br>Page<br>48      |             |                    |
|-----------------------------|-----------------|-------------------------------|------------|---|--|--|--------------------------|-------------|--------------------|
| Pos.<br>Fig.                | Anzahl/Quantity |                               |            |   | Artikel Nr.<br>Part No                                       | Bezeichnung  | Description              | Satz<br>Kit | Anmerkung<br>Notes |
|                             | 48<br>BC        | 48<br>BCA                     | 48<br>BCAE |   |  |  |                          |             |                    |
| X                           | 7               | 1                             | 1          |   | 1136-1694-01   | Haube .....  | Cover .....              |             |                    |
| X                           | 7               |                               |            | 1 | 1139-1695-01   | Haube .....  | Cover .....              |             |                    |
|                             | 8               | 2                             | 2          | 2 | 1117-3226-01   | Schraube .....   | Screw .....              |             |                    |
|                             | 9               | 3                             | 3          | 3 | 1136-1458-01   | Schraube .....   | Screw .....              |             |                    |
|                             | 10              | 2                             | 2          | 2 | 9675-0012-02   | Verriegelungsscheibe .....                                     | Locking washer .....     |             |                    |
| X                           | 11              | 1                             | 1          | 1 | 1136-1731-01   | Stange .....   | Rod .....                |             |                    |
| X                           | 12              | 1                             | 1          | 1 | 1136-1723-01   | Feder- links .....   | Spring- LH .....         |             |                    |
| X                           | 13              | 1                             | 1          | 1 | 1136-1724-01   | Feder- rechts .....  | Spring- RH .....         |             |                    |
| X                           | 14              | 1                             | 1          | 1 | 1136-1698-01   | Halter .....   | Support .....            |             |                    |
| X                           | 15              | 1                             | 1          | 1 | 1136-1736-01   | Klappe .....   | Rear flap .....          |             |                    |
|                             | 101             |                               |            | 1 | 1136-0627-01   | Schalter .....   | Switch .....             |             |                    |
| X                           | 102             |                               |            | 1 | 1136-1684-01   | Kabelbündel .....  | Wire harness .....       |             |                    |
|                             | 107             |                               |            | 1 | 1136-1320-01   | Batterie .....   | Battery .....            |             |                    |
|                             | 108             |                               |            | 1 | 1136-1334-01   | Deckel .....   | Cover .....              |             |                    |
|                             | 109             |                               |            | 1 | 1136-1321-01   | Ladegerät .....  | Charger .....            |             |                    |
|                             | 231             | 1                             | 1          | 1 | 1136-1338-01   | Deflektor .....  | Deflector .....          |             |                    |
| X                           | 501 A           | 1                             |            |   | 1111-9743-01   | Nabe .....   | Hub .....                |             |                    |
| X                           | 501 B           |                               | 1          | 1 | 1111-9744-01   | Nabe m. Scheibe .....  | Hub w. pulley .....      |             |                    |
| X                           | 502             | 1                             | 1          | 1 | 1111-9741-01   | Messer .....   | Blade .....              |             |                    |
|                             | 503             | 1                             | 1          | 1 | 1136-0083-01   | Federscheibe .....   | Elastic washer .....     |             |                    |
|                             | 504             | 1                             | 1          | 1 | 1136-0015-01   | Scheibe .....  | Washer .....             |             |                    |
|                             | 505             | 1                             | 1          | 1 | 9987-5251-12   | Schraube .....   | Screw .....              |             |                    |
|                             | 506             | 1                             | 1          | 1 | 9600-0014-00   | Keil .....   | Key .....                |             |                    |
| X                           | 551             | 1                             | 1          | 1 | 1136-1729-01   | Profil- rechts .....   | Profile- RH .....        |             |                    |
| X                           | 552             | 1                             | 1          | 1 | 1136-1727-01   | Graskorb- rechts .....   | Grassbox lower- RH ..... |             |                    |
| X                           | 553             | 1                             | 1          | 1 | 1136-1728-01   | Graskorb- links .....  | Grassbox lower- LH ..... |             |                    |
| X                           | 554             | 1                             | 1          | 1 | 1136-1730-01   | Profil- links .....  | Profile- LH .....        |             |                    |
| X                           | 555             | 1                             | 1          | 1 | 1136-1726-01   | Graskorb- Oberteil .....                                       | Grassbox- upper .....    |             |                    |





| Ausgabe<br>Issue<br>2005- 1 |                 | Bild Nr<br>Picture No<br>B107 |  | VARIOLUX 48 BC<br>RADAUFHÄNGUNG |                        | VARIOLUX 48 BC<br>WHEEL SUSPENSION |                            | Seite<br>Page<br>50 |                    |
|-----------------------------|-----------------|-------------------------------|--|---------------------------------|------------------------|------------------------------------|----------------------------|---------------------|--------------------|
| Pos.<br>Fig.                | Anzahl/Quantity |                               |  |                                 | Artikel Nr.<br>Part No | Bezeichnung                        | Description                | Satz<br>Kit         | Anmerkung<br>Notes |
|                             |                 |                               |  |                                 |                        |                                    |                            |                     |                    |
| X                           | 251             | 2                             |  |                                 | 1136-1701-01           | Radkappe- grau .....               | Hub cap- grey .....        |                     |                    |
|                             | 252             | 4                             |  |                                 | 9747-0831-02           | Mutter .....                       | Lock nut .....             |                     |                    |
|                             | 253             | 4                             |  |                                 | 9699-0028-02           | Scheibe .....                      | Flat washer .....          |                     |                    |
|                             | 254             | 8                             |  |                                 | 1136-0655-01           | Lager .....                        | Bearing .....              |                     |                    |
|                             | 255             | 2                             |  |                                 | 1136-1520-01           | Rad .....                          | Wheel .....                |                     |                    |
|                             | 256             | 1                             |  |                                 | 1136-1357-01           | Radachse- vorne .....              | Wheel axle- front .....    |                     |                    |
|                             | 257             | 2                             |  |                                 | 1136-0009-01           | Schließplatte .....                | Lock plate .....           |                     |                    |
| X                           | 258             | 1                             |  |                                 | 1136-1759-01           | Höhenverstellstange .....          | Height adjust rod .....    |                     |                    |
|                             | 259             | 1                             |  |                                 | 1136-0658-01           | Distanzring .....                  | Spacer .....               |                     |                    |
|                             | 260             | 1                             |  |                                 | 9675-0009-02           | Verriegelungsscheibe .....         | Starlock .....             |                     |                    |
|                             | 261             | 1                             |  |                                 | 1136-0006-01           | Federscheibe .....                 | Elastic washer .....       |                     |                    |
| X                           | 262             | 1                             |  |                                 | 1136-1757-01           | Halter .....                       | Attachment .....           |                     |                    |
|                             | 263             | 2                             |  |                                 | 1136-0772-01           | Rad .....                          | Wheel .....                |                     |                    |
| X                           | 264             | 2                             |  |                                 | 1136-1702-01           | Radkappe- grau .....               | Hub cap- grey .....        |                     |                    |
|                             | 266             | 4                             |  |                                 | 1136-0609-01           | Elastische Scheibe .....           | Elastic washer .....       |                     |                    |
| X                           | 269             | 1                             |  |                                 | 1136-1732-01           | Schulter schraube .....            | Shoulder bolt .....        |                     |                    |
| X                           | 271             | 1                             |  |                                 | 1136-1756-01           | Höhenverstellhebel .....           | Height adjust lever .....  |                     |                    |
|                             | 273             | 1                             |  |                                 | 1136-0089-01           | Scheibe .....                      | Washer .....               |                     |                    |
| X                           | 274             | 1                             |  |                                 | 1136-1740-01           | Sektor .....                       | Height adjust sector ..... |                     |                    |
|                             | 275             | 1                             |  |                                 | 9747-0831-02           | Mutter .....                       | Lock nut .....             |                     |                    |
| X                           | 276             | 1                             |  |                                 | 1136-1693-01           | Deckel .....                       | Cover .....                |                     |                    |
|                             | 277             | 2                             |  |                                 | 9898-0616-16           | Schraube .....                     | Screw .....                |                     |                    |
|                             | 278             | 2                             |  |                                 | 9799-0631-02           | Mutter .....                       | Nut .....                  |                     |                    |
|                             | 281             | 1                             |  |                                 | 1136-0729-01           | Hinterradachse .....               | Rear wheel axle .....      |                     |                    |
|                             | 282             | 1                             |  |                                 | 1136-0657-01           | Distanzring .....                  | Spacer .....               |                     |                    |
|                             | 283             | 4                             |  |                                 | 9847-8119-16           | Schraube .....                     | Screw .....                |                     |                    |
|                             | 284             | 2                             |  |                                 | 1136-0681-01           | Platte .....                       | Plate .....                |                     |                    |
|                             | 285             | 1                             |  |                                 | 1136-0636-01           | Buchse- links .....                | Bush- LH .....             |                     |                    |
|                             | 286             | 1                             |  |                                 | 1136-0635-01           | Buchse- rechts .....               | Bush- RH .....             |                     |                    |







| Ausgabe<br>Issue<br>2005- 1 |                 | Bild Nr<br>Picture No<br>B103 |   | VARIOLUX 48 BCA-<br>48 BCAE<br>RADAUFHÄNGUNG<br>GETRIEBE | VARIOLUX 48 BCA-<br>48 BCAE<br>WHEEL SUSPENSION<br>TRANSMISSION | Seite<br>Page<br>52        |             |                    |
|-----------------------------|-----------------|-------------------------------|---|--|---|----------------------------|-------------|--------------------|
| Pos.<br>Fig.                | Anzahl/Quantity |                               |   | Artikel Nr.<br>Part No                                   | Bezeichnung   | Description                | Satz<br>Kit | Anmerkung<br>Notes |
|                             | 48<br>BCA       | 48<br>BCAE                    |   |  |   |                            |             |                    |
| X                           | 251             | 2                             | 2 | 1136-1701-01   | Radkappe- grau .....  | Hub cap- grey .....        |             |                    |
|                             | 252             | 4                             | 4 | 9747-0831-02   | Mutter .....  | Lock nut .....             |             |                    |
|                             | 253             | 2                             | 2 | 9699-0028-02   | Scheibe .....   | Flat washer .....          |             |                    |
|                             | 254             | 8                             | 8 | 1136-0655-01   | Lager .....   | Bearing .....              |             |                    |
|                             | 255             | 2                             | 2 | 1136-1520-01   | Rad .....   | Wheel .....                |             |                    |
|                             | 256             | 1                             | 1 | 1136-1357-01   | Radachse- vorne .....   | Wheel axle- front .....    |             |                    |
|                             | 257             | 2                             | 2 | 1136-0009-01   | Schließplatte .....   | Lock plate .....           |             |                    |
| X                           | 258             | 1                             | 1 | 1136-1759-01   | Höhenverstellstange .....                                       | Height adjust rod .....    |             |                    |
|                             | 259             | 1                             | 1 | 1136-0658-01   | Distanzring .....   | Spacer .....               |             |                    |
|                             | 260             | 1                             | 1 | 9675-0009-02   | Verriegelungsscheibe .....                                      | Starlock .....             |             |                    |
|                             | 261             | 1                             | 1 | 1136-0006-01   | Federscheibe .....  | Elastic washer .....       |             |                    |
| X                           | 262             | 1                             | 1 | 1136-1757-01   | Halter .....  | Attachment .....           |             |                    |
|                             | 263             | 2                             | 2 | 1136-0772-01   | Rad .....   | Wheel .....                |             |                    |
| X                           | 264             | 2                             | 2 | 1136-1702-01   | Radkappe- grau .....  | Hub cap- grey .....        |             |                    |
|                             | 265             | 2                             | 2 | 1136-0006-01   | Federscheibe .....  | Elastic washer .....       |             |                    |
|                             | 266             | 2                             | 2 | 1136-0609-01   | Elastische Scheibe .....  | Elastic washer .....       |             |                    |
| X                           | 269             | 1                             | 1 | 1136-1732-01   | Schulterschraube .....  | Shoulder bolt .....        |             |                    |
| X                           | 271             | 1                             | 1 | 1136-1756-01   | Höhenverstellhebel .....  | Height adjust lever .....  |             |                    |
|                             | 273             | 1                             | 1 | 1136-0089-01   | Scheibe .....   | Washer .....               |             |                    |
| X                           | 274             | 1                             | 1 | 1136-1740-01   | Sektor .....  | Height adjust sector ..... |             |                    |
|                             | 275             | 1                             | 1 | 9747-0831-02   | Mutter .....  | Lock nut .....             |             |                    |
| X                           | 276             | 1                             | 1 | 1136-1693-01   | Deckel .....  | Cover .....                |             |                    |
|                             | 277             | 2                             | 2 | 9898-0616-16   | Schraube .....  | Screw .....                |             |                    |
|                             | 278             | 2                             | 2 | 9799-0631-02   | Mutter .....  | Nut .....                  |             |                    |
|                             | 401             | 2                             | 2 | 1136-0653-01   | Kranz .....   | Ring gear .....            |             |                    |
|                             | 402             | 1                             | 1 | 1136-0690-01   | Radschutz- links .....  | Wheel protection- LH ..... |             |                    |
|                             | 403             | 4                             | 4 | 9650-0012-04   | Seegersicherung .....   | Circlip .....              |             |                    |
|                             | 404             | 1                             | 1 | 1136-0685-01   | Ritzel- links .....   | Pinion- LH .....           |             |                    |
|                             | 405             | 2                             | 2 | 1136-0632-01   | Lager .....   | Bearing .....              |             |                    |
|                             | 406             | 1                             | 1 | 1136-0689-01   | Radschutz- rechts .....   | Wheel protection- RH ..... |             |                    |
|                             | 407             | 1                             | 1 | 1136-0713-01   | Hinterradachse .....  | Rear wheel axle .....      |             |                    |
|                             | 408             | 1                             | 1 | 1136-0684-01   | Ritzel- rechts .....  | Pinion- RH .....           |             |                    |
| X                           | 410             | 1                             | 1 | 1136-1748-01   | Kupplungsdraht .....  | Clutch cable .....         |             |                    |
|                             | 411             | 1                             | 1 | 1136-1456-01   | Getriebe Kpl (schw) .....                                       | Gearbox assy (black) ..... |             |                    |
|                             | 412             | 1                             | 1 | 1136-0692-01   | Riemenscheibe .....   | Pulley .....               |             |                    |
|                             | 413             | 1                             | 1 | 1136-0612-01   | Stift .....   | Pin .....                  |             |                    |
|                             | 414             | 1                             | 1 | 1136-1454-01   | Verstellstange .....  | Adjustment rod .....       |             |                    |
| X                           | 415             | 1                             | 1 | 1136-9745-01   | Riemen .....  | Belt .....                 |             |                    |
|                             | 416             | 2                             | 2 | 1136-0697-01   | Stift .....   | Pin .....                  |             |                    |
|                             | 417             | 1                             | 1 | 1136-0638-01   | Buchse .....  | Bush .....                 |             |                    |
|                             | 418             | 1                             | 1 | 1136-0668-01   | Feder .....   | Spring .....               |             |                    |
|                             | 419             | 1                             | 1 | 1136-0091-01   | Scheibe .....   | Washer .....               |             |                    |
|                             | 420             | 1                             | 1 | 9747-0631-02   | Mutter .....  | Lock nut .....             |             |                    |
|                             | 421             | 1                             | 1 | 1136-0081-01   | Nabenkapsel .....   | Hub cap .....              |             |                    |