



*Green Passion*

# Illustrated Parts List

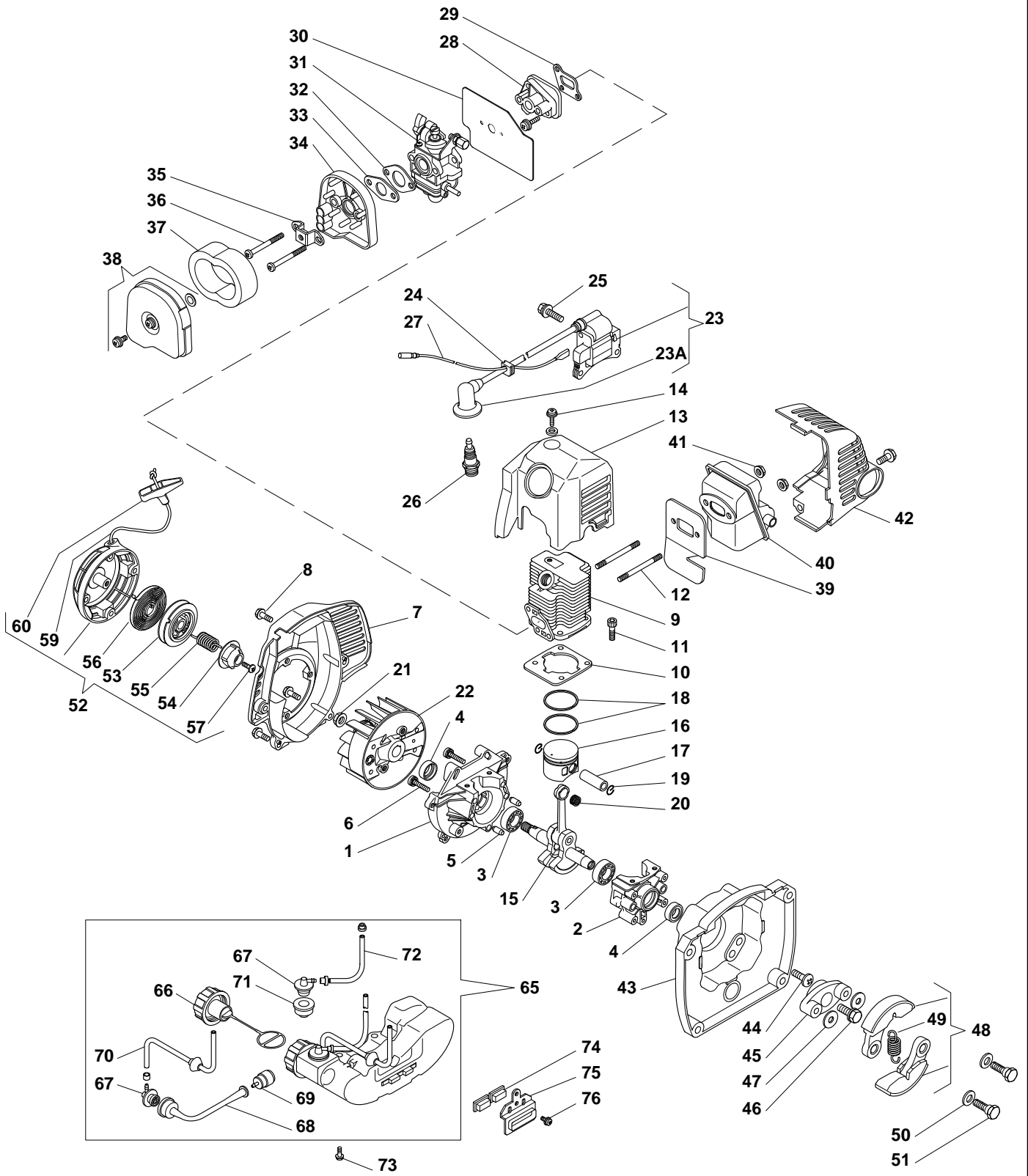
## XHM 60 - Model Year 2009

- Use GLOBAL GARDEN PRODUCT Genuine Spare Parts specified in the parts list for repair and/or replacement.
- The contents described in the parts list may change due to improvement.
- The drawings of the spare parts are only indicative and might not represent the part in question exactly.
- The indications "right" - "left" - "front" - "rear" refer to the position of the operator when using the machine.
- When placing orders of parts for repair and/or replacement, make sure that the illustrated parts list is the one applying to the machine's year of manufacture, as shown on the identification plate attached to the machine.

COPYRIGHT by GLOBAL GARDEN PRODUCTS

All rights reserved. No part of this material may be reproduced or transmitted, in any form or by any means, electronic or mechanical, including photocopying, recording or by any information storage and retrieval system, without permission in writing from GLOBAL GARDEN PRODUCTS.

# Engine





XHM 60 - Model Year 2009

**Engine**

Pos.	Part no.	Q.ty	Description	Remarks
1	123685014/0	1	Crank Case	
2	123685015/0	1	Crank Case	
3	114215220/0	2	Bearing	
4	119035160/0	2	Seal Ring	
5	123753002/0	2	Pin	
6	123878066/0	3	Screw	
7	123107506/0	1	Engine Cover Red	
8	123878095/0	4	Screw	
9	123071022/0	1	Cylinder	
10	123280069/0	1	Cylinder Gasket	
11	123878096/0	4	Screw	
12	123878061/0	2	Double-Screw Bolt	
13	123106033/0	1	Engine Cover Red	
14	123878097/0	1	Screw	
15	123020031/0	1	Crankshaft	
16	123590013/0	1	Piston	
17	123760001/0	1	Piston Pin	
18	123204015/0	2	Piston Ring	
19	123202002/0	2	Washer, Piston Pin	
20	123235003/0	1	Needle Bearing	
21	123120005/0	1	Nut	
22	123880013/0	1	Flywheel Ass.Y	
23A	123053002/0	1	Spark Plug Cover	
23	183044002/0	1	Ignition Ass'Y	
24	123275029/0	1	Grommet	
25	123878064/0	2	Screw	
26	3210024	1	Spark Plug	
27	123065044/0	1	Earth Cable	
28	123073517/0	1	Intake Manifold	
29	123280070/0	1	Intake Manif-Gasket	
30	123280071/0	1	Intake-Carb Gasket	
31	123054035/0	1	Carburettor	
32	123208413/0	1	Spacer	
33	123280072/0	1	Gasket	
34	123040004/0	1	Air Cleaner Base	
35	123208414/0	1	Steam	
36	123878098/0	2	Screw	
37	123220016/0	1	Air Filter	
38	183090014/0	1	Filter Cover	
39	123280073/0	1	Gasket	
40	183740019/0	1	Muffler	
41	123120011/0	2	Nut	
42	123600077/0	1	Muffler Shield, Red	
43	123208416/0	1	Flange	
44	123878099/0	4	Screw	
45	123445264/0	1	Clutch-Mass Guide Plate	
46	123878100/0	1	Screw	
47	123657015/0	2	Washer	
48	183215009/0	1	Clutch Ass.Y	
49	123430600/0	1	Spring	
50	123657016/0	2	Washer	
51	123878101/0	2	Screw	
52	183058039/0	1	Starter Ass.Y	
53	123604012/0	1	Starter Pulley	
54	123445265/0	1	Plate	
55	123430601/0	1	Spring	
56	123430602/0	1	Spring	
57	123878102/0	1	Screw	
59	123234006/0	1	Starter Cord	
60	123300007/0	1	Starter Handle	
65	183733008/0	1	Kit Fuel Tank	
66	183790008/0	1	Fuel Cap Ass.Y	
67	123650006/0	2	Grommet	
68	123867025/0	1	Fuel Line	
69	183520004/0	1	Intake Filter	
70	123867026/0	1	Tube	

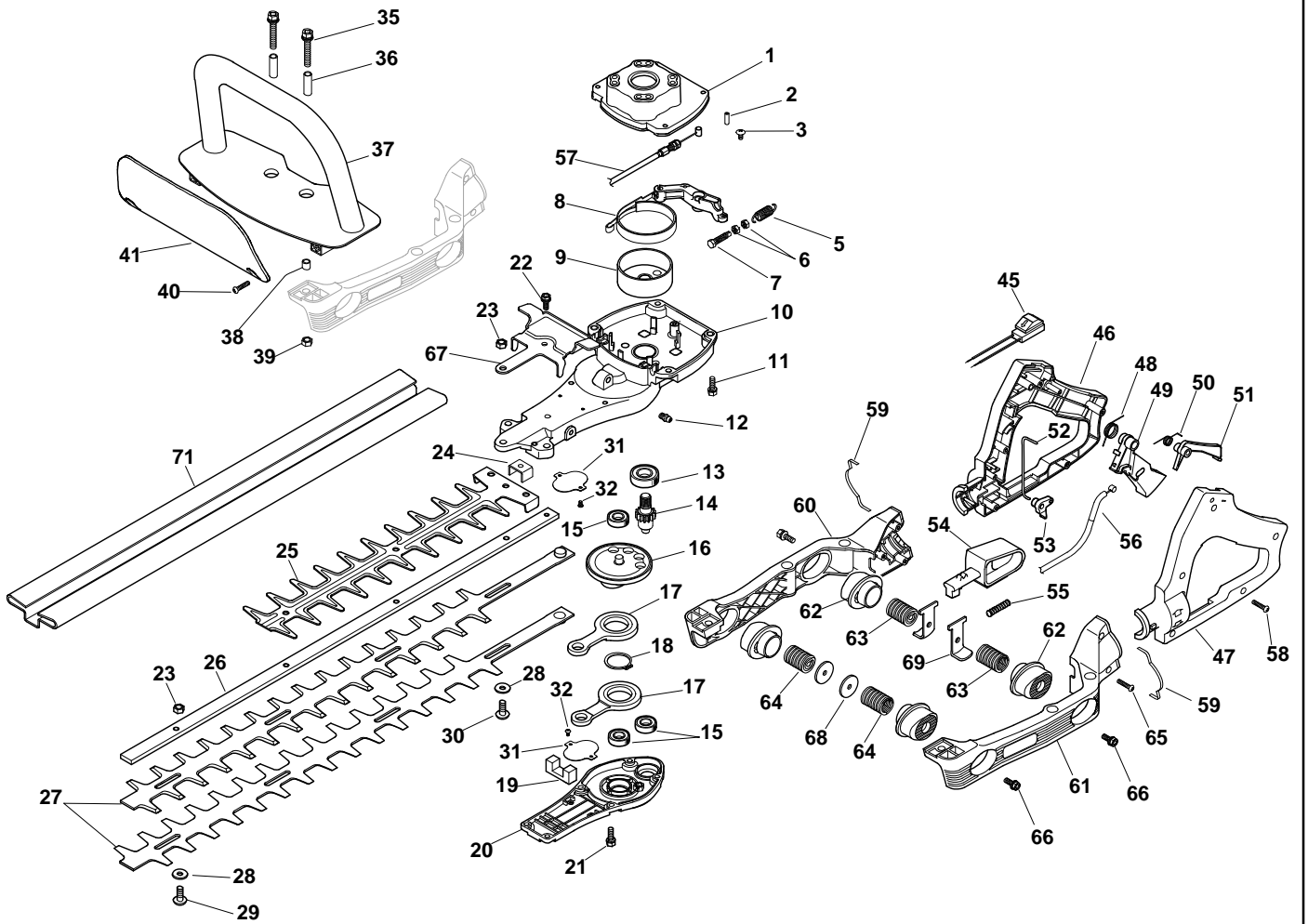


XHM 60 - Model Year 2009

### Engine

Pos.	Part no.	Q.ty	Description	Remarks
71	123671501/0	1	Grommet	
72	123867027/0	1	Tube	
73	123878103/0	2	Screw	
74	123275030/0	2	Grommet	
75	123208417/0	1	Support	
76	123878104/0	1	Screw	

### Cutting unit





XHM 60 - Model Year 2009

**Cutting unit**

Pos.	Part no.	Q.ty	Description	Remarks
1	6990154	1	Clutch Housing Assy	
2	6990149	1	Pin	
3	6990140	1	Screw	
5	6990129	1	Spring	
6	6990163	2	Nut	
7	6990162	1	Screw	
8	123448006/0	1	Brake Band	
9	123050009/0	1	Drum Ass'Y, Clutch	
10	6990177	1	Upper Case	
11	6990141	4	Screw	
12	6990153	1	Grease Dispenser	
13	6990152	1	Bearing	
14	6990155	1	Pinion	
15	6990151	3	Bearing	
16	6990156	1	Sprocket	
17	6990157	2	Connecting Rod	
18	6990150	1	Elastic Ring	
19	6990126	1	Shoe	
20	6990178	1	Lower Case	
21	6990141	6	Screw	
22	6990214	1	Screw	
23	6990146	4	Nut	
24	6990128	1	Retainer	
25	6990127	1	Blade Guard	
26	6990159	1	Blade Holder	
27	6990176	2	Blade	
28	6990121	4	Washer	
29	6990125	3	Screw	
30	6990137	1	Screw	
31	6990158	2	Shoe	
32	6990139	4	Screw	
35	6990143	2	Screw	
36	6990148	2	Spacer	
37	6990172	1	Front Handle	
38	6990147	2	Spacer	
39	6990146	2	Nut	
40	6990145	2	Screw	
41	6990171	1	Guard	
45	6990136	1	Stop Switch	
46	6990166	1	Right Handgrip	
47	6990165	1	Left Handle	
48	6990132	1	Spring	
49	6990167	1	Throttle Lever	
50	6990133	1	Spring	
51	6990168	1	Safety Lever	
52	6990164	1	Gearshift	
53	6990170	1	Hook	
54	6990169	1	Gearshift	
55	6990123	1	Spring	
56	123066022/0	1	Throttle Cable	
57	123066023/0	1	Brake Cable	
58	6990144	5	Screw	
59	6990138	2	Gasket	
60	6990174	1	Right Case	
61	6990173	1	Left Case	
62	6990175	4	Grommet	
63	6990131	2	Spring	
64	6990130	2	Spring	
65	6990144	3	Screw	
66	6990214	4	Screw	
67	6990217	1	Bracket	
68	6990213	2	Washer	
69	6990216	2	Bracket	
71	6990124	1	Blade Cover	