



*Green Passion*

# Illustrated Parts List

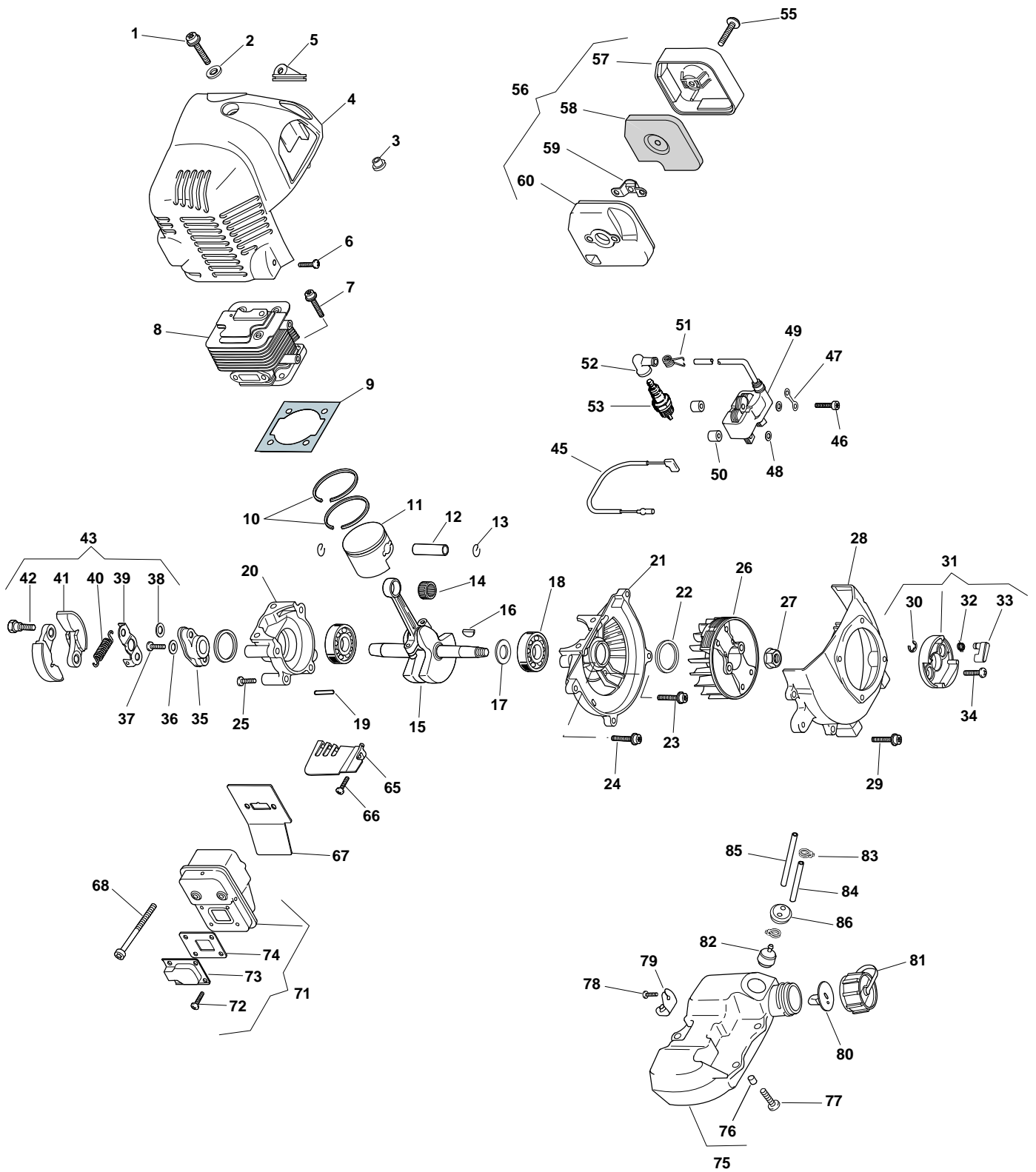
## XH 60 K - Model Year 2008

- Use GLOBAL GARDEN PRODUCT Genuine Spare Parts specified in the parts list for repair and/or replacement.
- The contents described in the parts list may change due to improvement.
- The drawings of the spare parts are only indicative and might not represent the part in question exactly.
- The indications "right" - "left" - "front" - "rear" refer to the position of the operator when using the machine.
- When placing orders of parts for repair and/or replacement, make sure that the illustrated parts list is the one applying to the machine's year of manufacture, as shown on the identification plate attached to the machine.

COPYRIGHT by GLOBAL GARDEN PRODUCTS

All rights reserved. No part of this material may be reproduced or transmitted, in any form or by any means, electronic or mechanical, including photocopying, recording or by any information storage and retrieval system, without permission in writing from GLOBAL GARDEN PRODUCTS.

# Engine 1



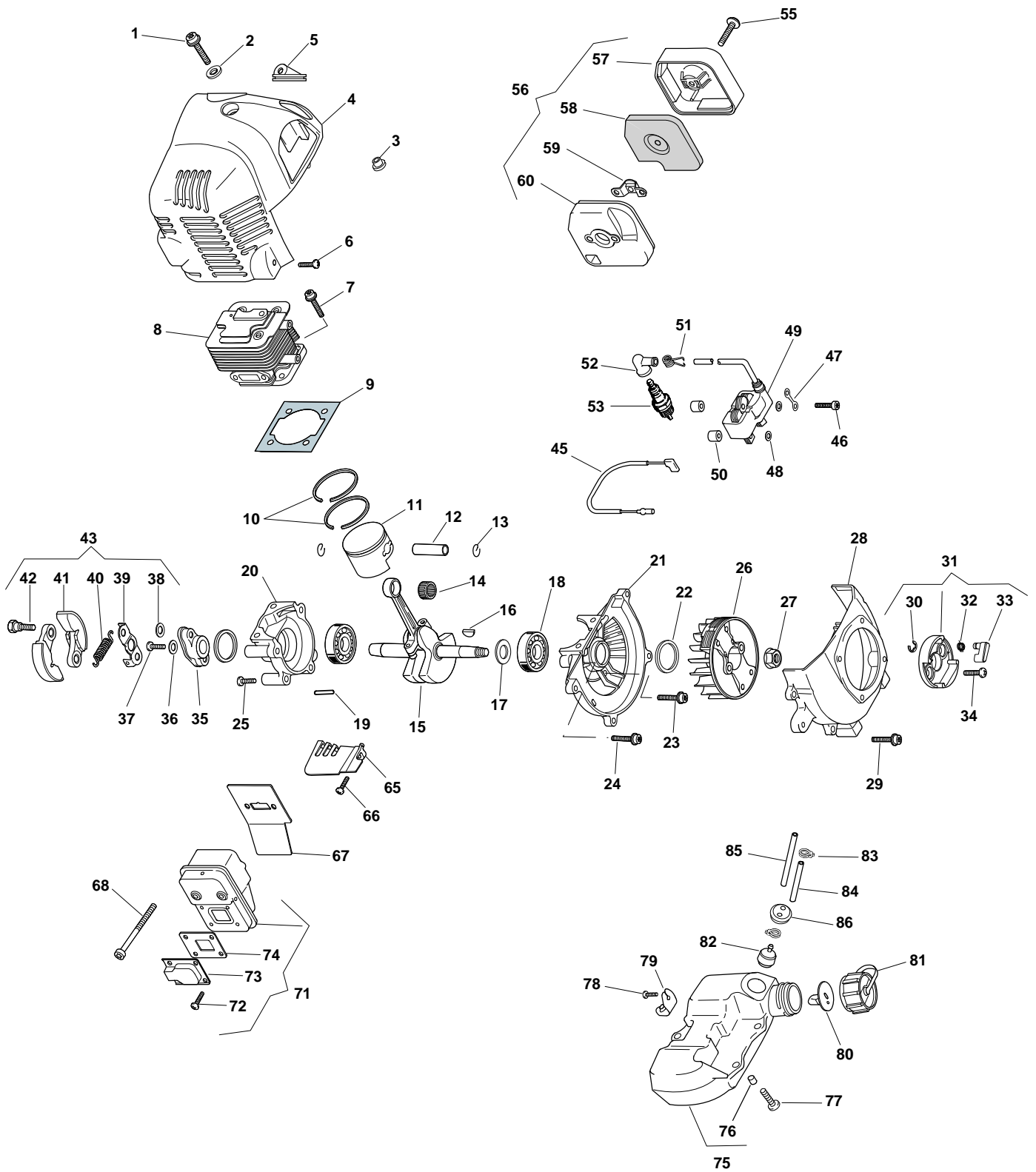


XH 60 K - Model Year 2008

**Engine 1**

Pos.	Part no.	Q.ty	Description	Remarks
1	6990081	1	Screw	
2	6990118	1	Washer	
3	6990031	1	Bushing	
4	6990059	1	Engine Cover Red	
5	6990103	1	Grommet	
6	6990112	1	Screw	
7	6990070	4	Screw	
8	6990001	1	Cylinder	
9	6990006	1	Cylinder Gasket	
10	6990015	1	Piston Ring Set	
11	6990013	1	Piston	
12	6990014	1	Piston Pin	
13	6990093	2	Washer, Piston Pin	
14	6990016	1	Needle Bearing	
15	6990061	1	Crankshaft	
16	6990064	1	Flywheel Key	
17	6990088	4	Washer T=0.20	
17	6990089	4	Washer T=0.40	
17	6990090	4	Washer T=0.60	
18	6990097	2	Bearing	
19	6990094	2	Centring Pin	
20	6990022	1	Crank Case	
21	6990021	1	Crank Case	
22	6990098	2	Seal Ring	
23	6990073	1	Screw	
24	6990072	2	Screw	
25	6990043	4	Screw	
26	6990037	1	Flywheel Ass.Y	
27	6990120	1	Nut	
28	6990065	1	Case, Yellow	Ht60K
28	6990066	1	Case, Red	
29	6990082	4	Screw	
30	6990091	1	Elastic Ring	
31	6990056	1	Starter Cup Ass.Y	
32	6990105	1	Spring	
33	6990018	1	Starter Hook	
34	6990044	2	Screw	
35	6990054	1	Clutch-Mass Guide Plate	
36	6990087	1	Washer	
37	6990045	1	Screw	
38	6990116	2	Washer	
39	6990020	1	Plate	
40	6990107	1	Spring	
41	6990053	2	Clutch Unit	
42	6990095	2	Screw	
43	6990017	1	Clutch Ass.Y	
45	6990046	1	Earth Cable	
46	6990110	2	Screw	
47	6990041	1	Clamp	
48	6990033	2	Washer	
49	6990042	1	Ignition Ass'Y	
50	6990032	2	Isolator	
51	6990040	1	Spark Plug Spring	
52	6990039	1	Spark Plug Cover	
53	6990101	1	Spark Plug	
55	6990113	1	Screw	
56	6990002	1	Air Filter Ass'Y	
57	6990012	1	Filter Cover	
58	6990004	1	Air Filter	
59	6990036	1	Steam	
60	6990003	1	Air Cleaner Base	
65	6990025	1	Muffler Shield	
66	6990080	1	Screw	
67	6990008	1	Gasket	
68	6990109	2	Screw	
71	6990055	1	Muffler	
72	6990084	4	Screw	

# Engine 1



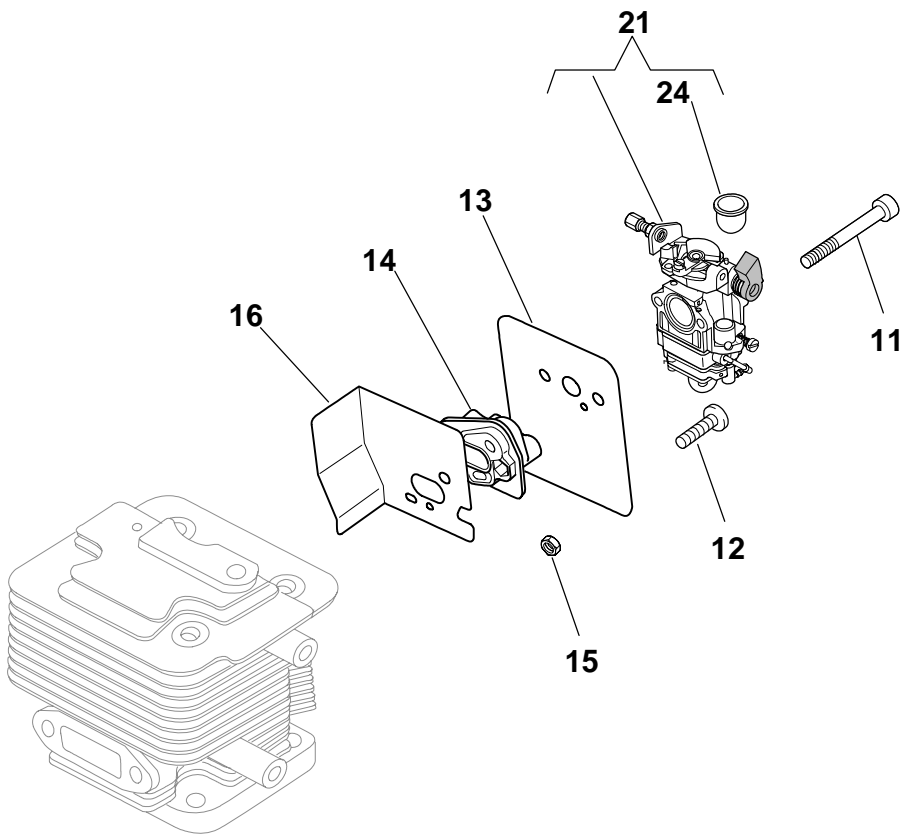
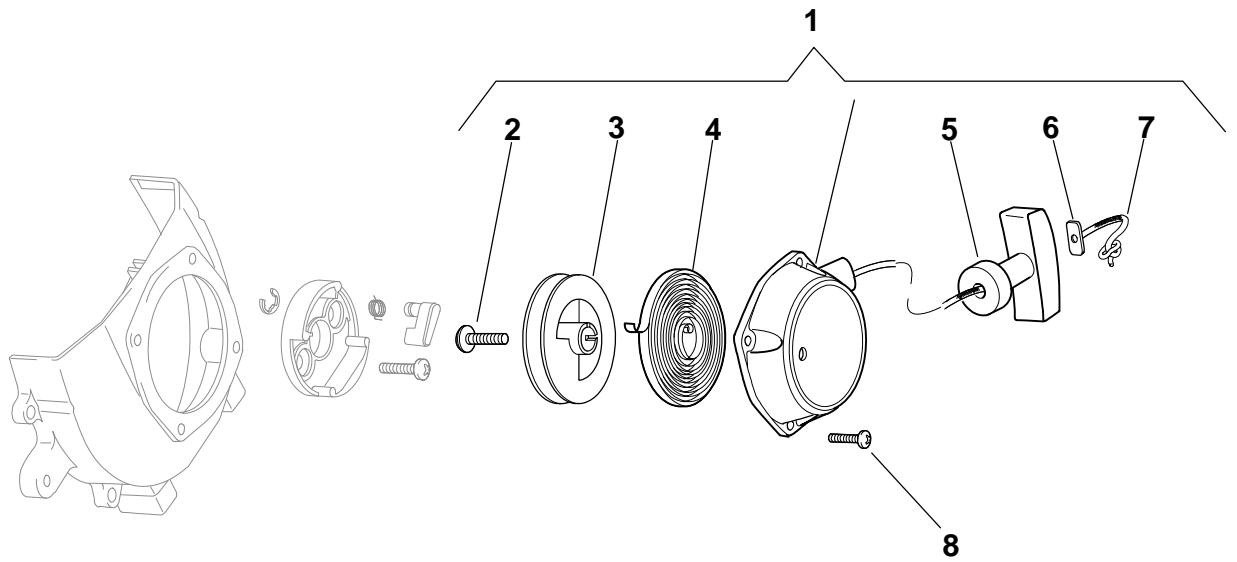


XH 60 K - Model Year 2008

### Engine 1

Pos.	Part no.	Q.ty	Description	Remarks
73	6990069	1	Deflector	
74	6990011	1	Gasket	
75	6990062	1	Kit Fuel Tank	
76	6990106	3	Bushing	
77	6990078	3	Screw	
78	6990071	1	Screw	
79	6990047	1	Support	
80	6990060	1	Breather Valve Assy	
81	6990063	1	Cap Ass'Y, Fuel Tank	
82	6990051	1	Intake Filter	
83	6990111	2	Clamp	
84	6990114	1	Tube	
85	6990115	1	Tube	
86	6990102	1	Grommet	

**Engine 2**



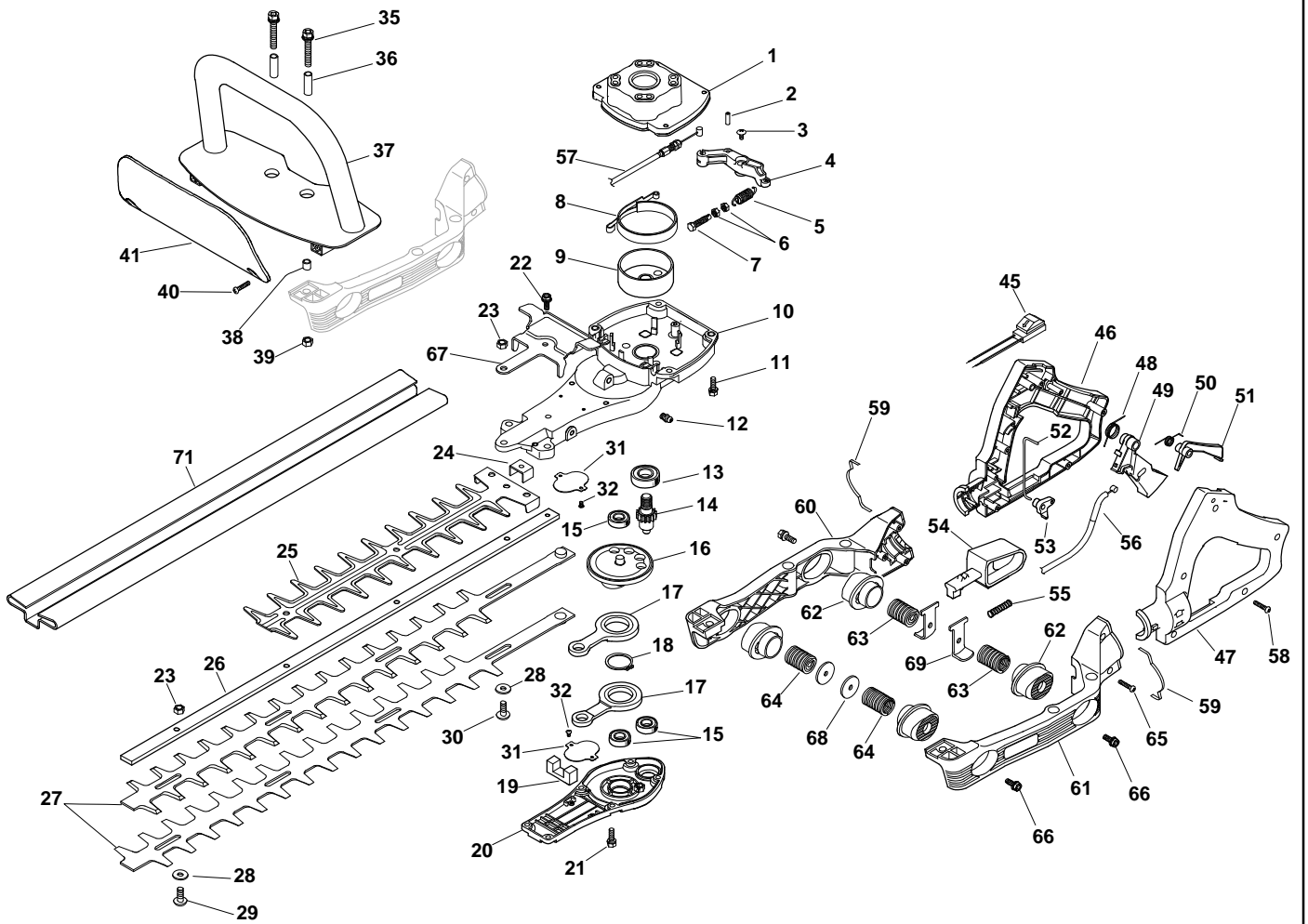


XH 60 K - Model Year 2008

## Engine 2

Pos.	Part no.	Q.ty	Description	Remarks
1	6990057	1	Starter Ass.Y	
2	6990077	1	Screw	
3	6990067	1	Starter Pulley	
4	6990104	1	Spring	
5	6990050	1	Starter Handle	
6	6990019	1	Plate	
7	6990068	1	Starter Cord	
8	6990112	4	Screw	
11	6990083	2	Screw	
12	6990074	2	Screw	
13	6990010	1	Intake-Carb Gasket	
14	6990030	1	Intake Manifold	
15	6990085	2	Nut	
16	6990009	1	Intake Manif-Gasket	
21	6990026	1	Carburettor	
24	6990052	1	Air Purge Pump	

# Cutting unit







XH 60 K - Model Year 2008

**Cutting unit**

Pos.	Part no.	Q.ty	Description	Remarks
1	6990154	1	Clutch Housing Assy	
2	6990149	1	Pin	
3	6990140	1	Screw	
4	6990160	1	Lever	
5	6990129	1	Spring	
6	6990163	2	Nut	
7	6990162	1	Screw	
8	6990161	1	Brake Band	
9	6990122	1	Drum Ass'Y, Clutch	
10	6990177	1	Upper Case	
11	6990141	4	Screw	
12	6990153	1	Grease Dispenser	
13	6990152	1	Bearing	
14	6990155	1	Pinion	
15	6990151	3	Bearing	
16	6990156	1	Sprocket	
17	6990157	2	Connecting Rod	
18	6990150	1	Elastic Ring	
19	6990126	1	Shoe	
20	6990178	1	Lower Case	
21	6990141	6	Screw	
22	6990214	1	Screw	
23	6990146	4	Nut	
24	6990128	1	Retainer	
25	6990127	1	Blade Guard	
26	6990159	1	Blade Holder	
27	6990176	2	Blade	
28	6990121	4	Washer	
29	6990125	3	Screw	
30	6990137	1	Screw	
31	6990158	2	Shoe	
32	6990139	4	Screw	
35	6990143	2	Screw	
36	6990148	2	Spacer	
37	6990172	1	Front Handle	
38	6990147	2	Spacer	
39	6990146	2	Nut	
40	6990145	2	Screw	
41	6990171	1	Guard	
45	6990136	1	Stop Switch	
46	6990166	1	Right Handgrip	
47	6990165	1	Left Handle	
48	6990132	1	Spring	
49	6990167	1	Throttle Lever	
50	6990133	1	Spring	
51	6990168	1	Safety Lever	
52	6990164	1	Gearshift	
53	6990170	1	Hook	
54	6990169	1	Gearshift	
55	6990123	1	Spring	
56	6990134	1	Throttle Cable	
57	6990135	1	Brake Cable	
58	6990144	5	Screw	
59	6990138	2	Gasket	
60	6990174	1	Right Case	
61	6990173	1	Left Case	
62	6990175	4	Grommet	
63	6990131	2	Spring	
64	6990130	2	Spring	
65	6990144	3	Screw	
66	6990214	4	Screw	
67	6990217	1	Bracket	
68	6990213	2	Washer	
69	6990216	2	Bracket	
71	6990124	1	Blade Cover	