



Green Passion

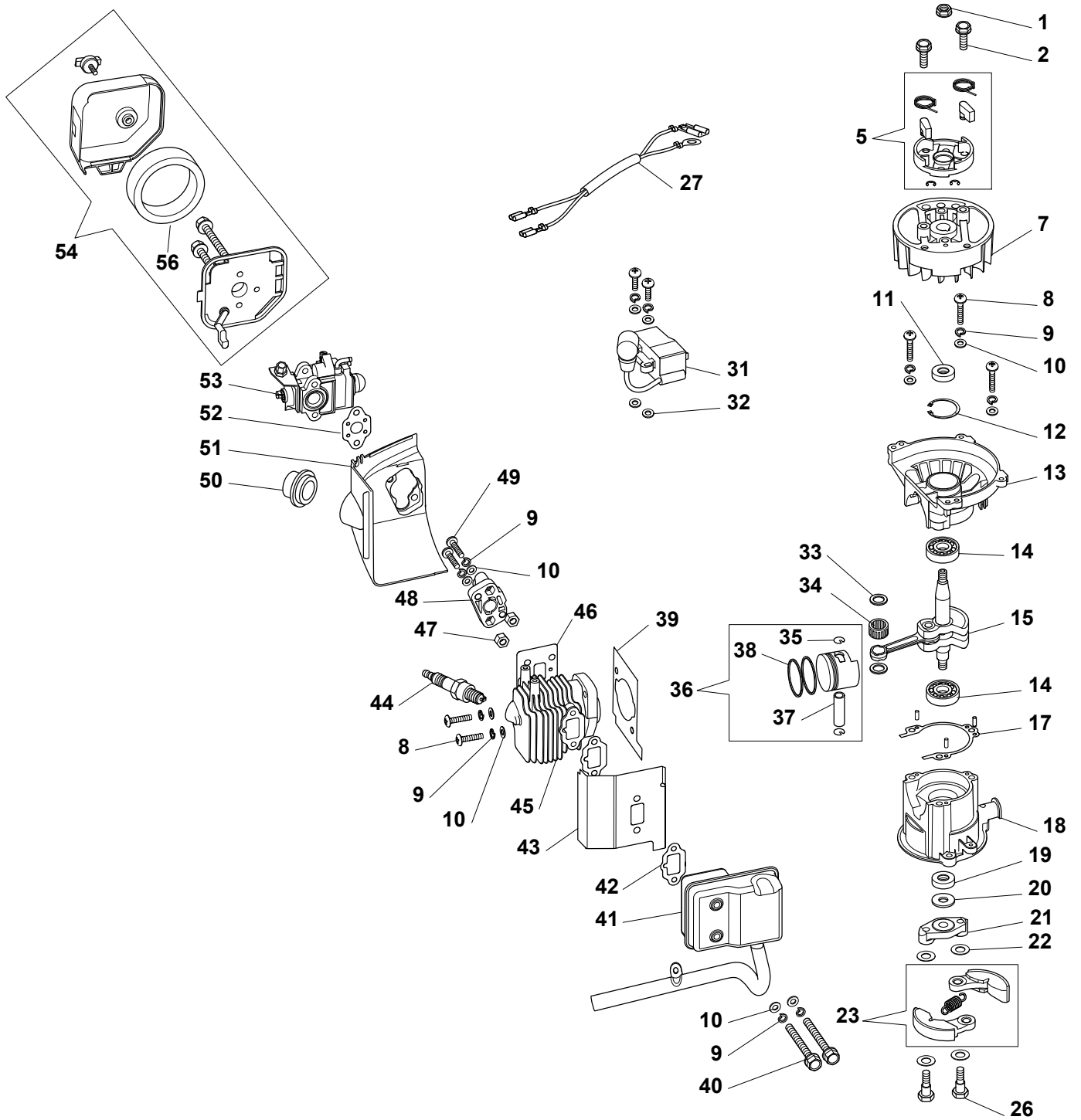
Illustrated Parts List

XHJ 550 - Model Year 2010

- Use GLOBAL GARDEN PRODUCT Genuine Spare Parts specified in the parts list for repair and/or replacement.
- The contents described in the parts list may change due to improvement.
- The drawings of the spare parts are only indicative and might not represent the part in question exactly.
- The indications "right" - "left" - "front" - "rear" refer to the position of the operator when using the machine.
- When placing orders of parts for repair and/or replacement, make sure that the illustrated parts list is the one applying to the machine's year of manufacture, as shown on the identification plate attached to the machine.

COPYRIGHT by GLOBAL GARDEN PRODUCTS

All rights reserved. No part of this material may be reproduced or transmitted, in any form or by any means, electronic or mechanical, including photocopying, recording or by any information storage and retrieval system, without permission in writing from GLOBAL GARDEN PRODUCTS.

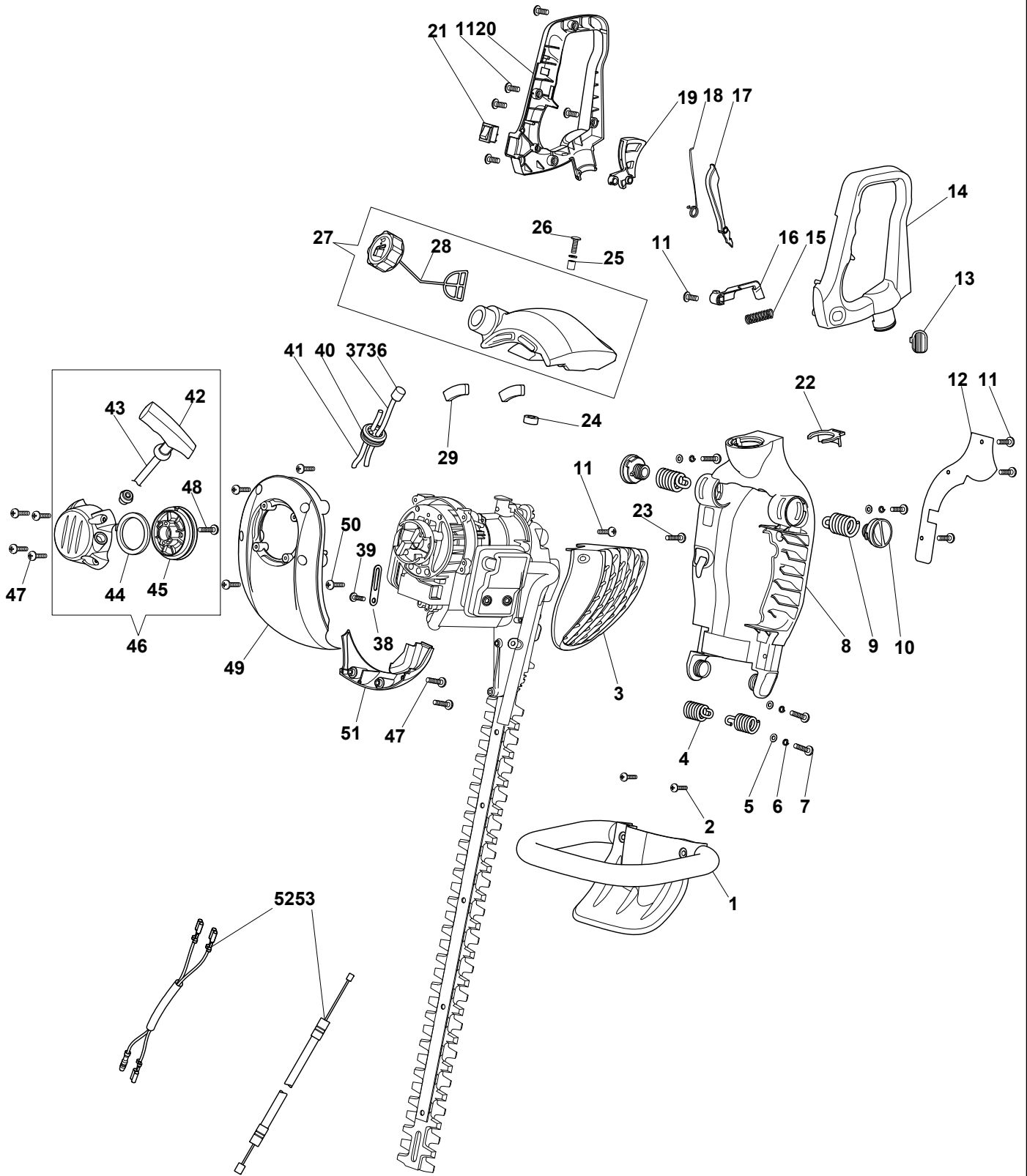




XHJ 550 - Model Year 2010

Engine

Pos.	Part no.	Q.ty	Description	Remarks
1	123120012/0	1	Screw	
2	123878109/0	2	Screw	
5	183082003/0	2	Starter Cup Ass.Y	
7	123880014/0	1	Flywheel	
8	123878110/0	5	Screw	
9	123657017/0	9	Grower	
10	123657013/0	9	Washer	
11	119035164/0	1	Seal Ring	
12	112610002/0	1	Ring	
13	123685020/0	1	Crank Case	
14	114215221/0	2	Bearing	
15	123020033/0	1	Crankshaft	
17	123280077/0	1	Crankcase Gasket	
18	123685021/0	1	Crank Case	
19	119035165/0	1	Seal Ring	
20	123657019/0	1	Washer	
21	123445268/0	1	Clutch-Mass Guide Plate	
22	123657020/0	2	Washer	
23	183215010/0	1	Clutch Ass.Y	
26	123878111/0	2	Screw	
27	123065045/0	1	Spark Plug Cable	
31	123044016/0	1	Ignition Ass'Y	
32	123160063/0	2	Washer	
33	123652505/0	2	Washer	
34	123235008/0	1	Needle Bearing	
36	183590007/0	2	Piston Assy	
38	123204016/0	2	Piston Ring	
39	123280078/0	1	Cylinder Gasket	
40	123878112/0	2	Screw	
41	183740020/0	1	Muffler	
42	123280079/0	2	Gasket	
43	123600078/0	1	Guard	
44	3210024	1	Spark Plug	
45	123071023/0	1	Cylinder	
46	123280080/0	1	Gasket	
47	123120013/0	2	Nut	
48	123073518/0	1	Intake Manifold	
49	123878113/0	2	Screw	
50	123600079/0	1	Grommet	
51	123600080/0	1	Cylinder Cover	
52	123280081/0	1	Carburetor Gasket	
53	123054036/0	1	Carburetor	
54	123040005/0	1	Air Filter Ass'Y	
56	123220011/0	1	Air Filter	



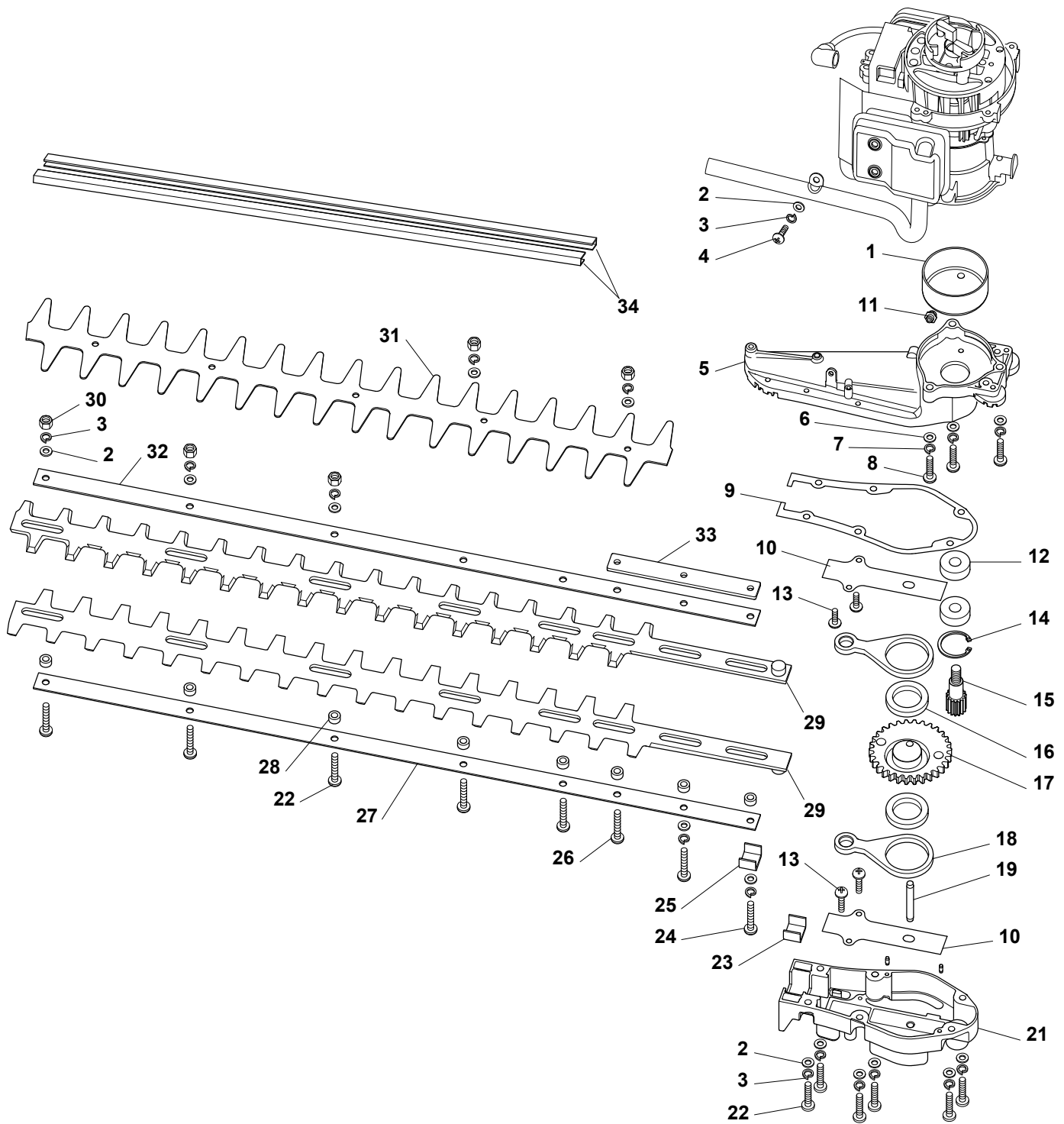


XHJ 550 - Model Year 2010

Handle-transmission

Pos.	Part no.	Q.ty	Description	Remarks
1	123300014/0	1	Fore Handle	
2	123878119/0	2	Screw	
3	123600085/0	1	Muffler Protection	
4	123430606/0	2	Spring	
5	123657022/0	5	Washer	
6	123657017/0	4	Grower	
7	123878120/0	4	Screw	
8	123784008/0	1	Case	
9	123430607/0	2	Spring	
10	123790023/0	2	Cap	
11	123878121/0	10	Screw	
12	123109588/0	1	Cover	
13	123593509/0	1	Knob	
14	123700065/0	1	Left Handgrip	
15	123430608/0	1	Spring	
16	123315099/0	1	Lever	
17	123315100/0	1	Safety Lever	
18	123430609/0	1	Spring	
19	123315101/0	1	Throttle Lever	
20	123700066/0	1	Right Handgrip	
21	123303007/0	1	Screw	
22	123202008/0	1	Retainer	
23	123878115/0	2	Screw	
24	123657023/0	1	Grommet	
25	123044223/0	1	Bush	
26	123878124/0	1	Screw	
27	123733006/0	1	Fuel Tank	
28	183790009/0	1	Cap Ass'Y, Fuel Tank	
29	123275031/0	2	Grommet	
36	183520009/0	1	Intake Filter	
37	123867028/0	1	Tube	
38	1232940080	1	Plate	
39	123878122/0	1	Screw	
40	123275032/0	1	Grommet	
41	123867029/0	1	Tube	
42	123300015/0	1	Starter Handle	
43	123234007/0	1	Starter Cord	
44	123430610/0	1	Starter Spring	
45	123604013/0	1	Starter Pulley	
46	123878123/0	6	Screw	
46	183058040/0	1	Starter Ass.Y	
49	123106038/0	1	Red Cylinder Cover	
50	123878125/0	4	Screw	
51	123106040/0	1	Red Cylinder Cover	
52	183065030/0	1	Spark Plug Cable	
53	123066024/0	1	Wire Ass.Y	

Cutting unit





XHJ 550 - Model Year 2010

Cutting unit

Pos.	Part no.	Q.ty	Description	Remarks
1	123050010/0	1	Clutch Drum	
2	123657013/0	15	Washer	
3	123657017/0	15	Grower	
4	123878115/0	2	Screw	
5	123685022/0	1	Upper Case	
6	123657018/0	3	Washer	
7	123657021/0	3	Grower	
8	123878116/0	3	Screw	
9	123280082/0	1	Crankcase Gasket	
10	123208418/0	2	Spacer	
11	112379520/0	1	Grease Dispenser	
12	114215222/0	2	Bearing	
13	123878117/0	4	Screw	
14	112610003/0	1	Snap Ring	
15	123570052/0	1	Pinion	
16	114215223/0	2	Bearing	
17	123664000/0	1	Sprocket	
18	123041502/0	2	Connecting Rod	
19	123753003/0	1	Pin	
21	123685023/0	1	Lower Case	
22	123878081/0	11	Screw	
23	123280083/0	1	Shoe	
24	123878118/0	2	Screw	
25	123208419/0	1	Plate	
26	123878113/0	1	Screw	
27	123294006/0	1	Blade Holder	
28	123044222/0	8	Bush	
29	123305004/0	2	Blade	
30	123120014/0	6	Nut	
31	123600081/0	1	Blade Guard	
32	123294007/0	1	Blade Holder	
33	123208420/0	1	Bracket	
34	123085002/0	2	Blade Cover	