



Green Passion

Illustrated Parts List

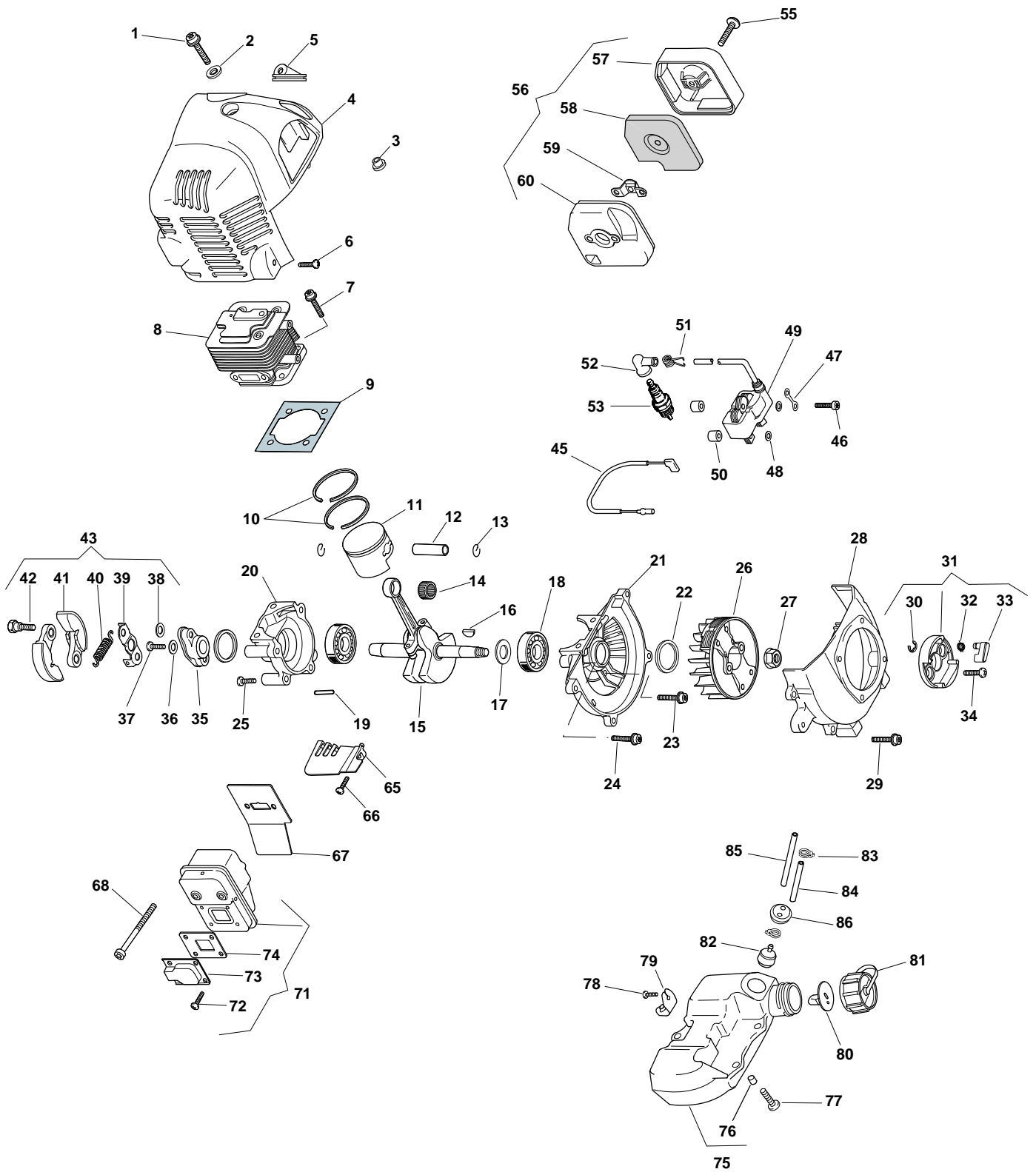
XH 75 K - Model Year 2008

- Use GLOBAL GARDEN PRODUCT Genuine Spare Parts specified in the parts list for repair and/or replacement.
- The contents described in the parts list may change due to improvement.
- The drawings of the spare parts are only indicative and might not represent the part in question exactly.
- The indications "right" - "left" - "front" - "rear" refer to the position of the operator when using the machine.
- When placing orders of parts for repair and/or replacement, make sure that the illustrated parts list is the one applying to the machine's year of manufacture, as shown on the identification plate attached to the machine.

COPYRIGHT by GLOBAL GARDEN PRODUCTS

All rights reserved. No part of this material may be reproduced or transmitted, in any form or by any means, electronic or mechanical, including photocopying, recording or by any information storage and retrieval system, without permission in writing from GLOBAL GARDEN PRODUCTS.

Engine 1



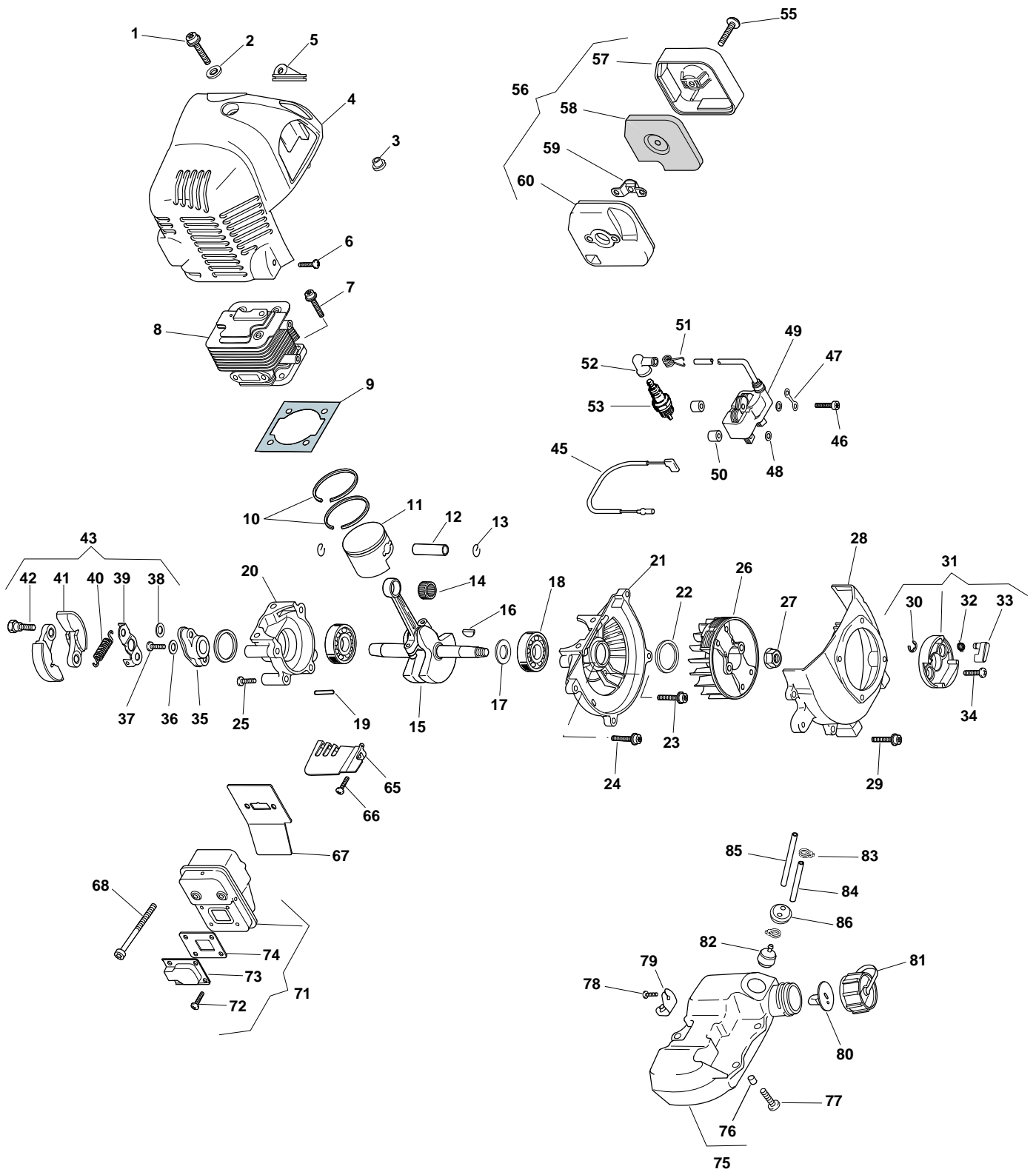


XH 75 K - Model Year 2008

Engine 1

Pos.	Part no.	Q.ty	Description	Remarks
1	6990081	1	Screw	
2	6990118	1	Washer	
3	6990031	1	Bushing	
4	6990059	1	Engine Cover Red	
5	6990103	1	Grommet	
6	6990112	1	Screw	
7	6990070	4	Screw	
8	6990001	1	Cylinder	
9	6990006	1	Cylinder Gasket	
10	6990015	1	Piston Ring Set	
11	6990013	1	Piston	
12	6990014	1	Piston Pin	
13	6990093	2	Washer, Piston Pin	
14	6990016	1	Needle Bearing	
15	6990061	1	Crankshaft	
16	6990064	1	Flywheel Key	
17	6990088	4	Washer T=0.20	
17	6990089	4	Washer T=0.40	
17	6990090	4	Washer T=0.60	
18	6990097	2	Bearing	
19	6990094	2	Centring Pin	
20	6990022	1	Crank Case	
21	6990021	1	Crank Case	
22	6990098	2	Seal Ring	
23	6990073	1	Screw	
24	6990072	2	Screw	
25	6990043	4	Screw	
26	6990037	1	Flywheel Ass.Y	
27	6990120	1	Nut	
28	6990065	1	Case, Yellow	Ht60K
28	6990066	1	Case, Red	
29	6990082	4	Screw	
30	6990091	1	Elastic Ring	
31	6990056	1	Starter Cup Ass.Y	
32	6990105	1	Spring	
33	6990018	1	Starter Hook	
34	6990044	2	Screw	
35	6990054	1	Clutch-Mass Guide Plate	
36	6990087	1	Washer	
37	6990045	1	Screw	
38	6990116	2	Washer	
39	6990020	1	Plate	
40	6990107	1	Spring	
41	6990053	2	Clutch Unit	
42	6990095	2	Screw	
43	6990017	1	Clutch Ass.Y	
45	6990046	1	Earth Cable	
46	6990110	2	Screw	
47	6990041	1	Clamp	
48	6990033	2	Washer	
49	6990042	1	Ignition Ass'Y	
50	6990032	2	Isolator	
51	6990040	1	Spark Plug Spring	
52	6990039	1	Spark Plug Cover	
53	6990101	1	Spark Plug	
55	6990113	1	Screw	
56	6990002	1	Air Filter Ass'Y	
57	6990012	1	Filter Cover	
58	6990004	1	Air Filter	
59	6990036	1	Steam	
60	6990003	1	Air Cleaner Base	
65	6990025	1	Muffler Shield	
66	6990080	1	Screw	
67	6990008	1	Gasket	
68	6990109	2	Screw	
71	6990055	1	Muffler	
72	6990084	4	Screw	

Engine 1



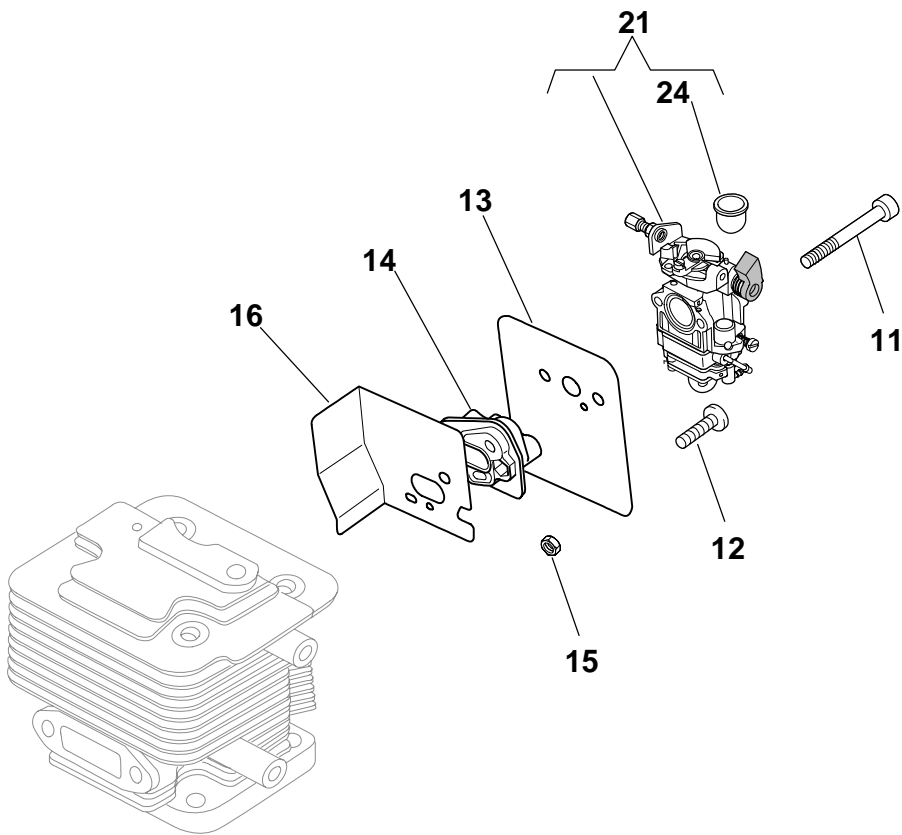
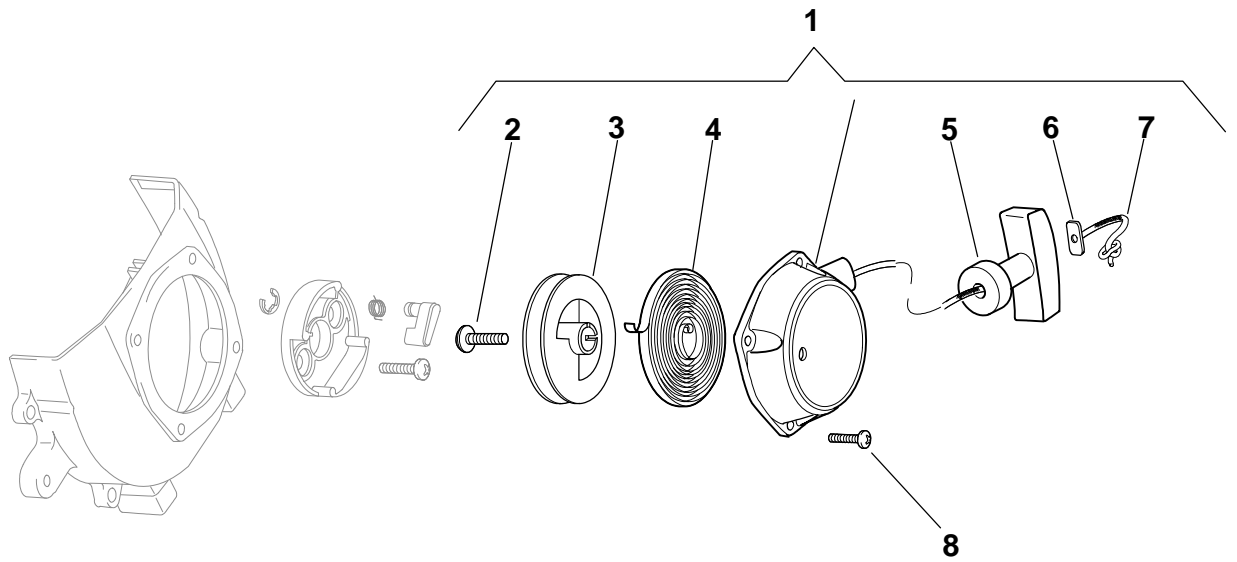


XH 75 K - Model Year 2008

Engine 1

Pos.	Part no.	Q.ty	Description	Remarks
73	6990069	1	Deflector	
74	6990011	1	Gasket	
75	6990062	1	Kit Fuel Tank	
76	6990106	3	Bushing	
77	6990078	3	Screw	
78	6990071	1	Screw	
79	6990047	1	Support	
80	6990060	1	Breather Valve Assy	
81	6990063	1	Cap Ass'Y, Fuel Tank	
82	6990051	1	Intake Filter	
83	6990111	2	Clamp	
84	6990114	1	Tube	
85	6990115	1	Tube	
86	6990102	1	Grommet	

Engine 2



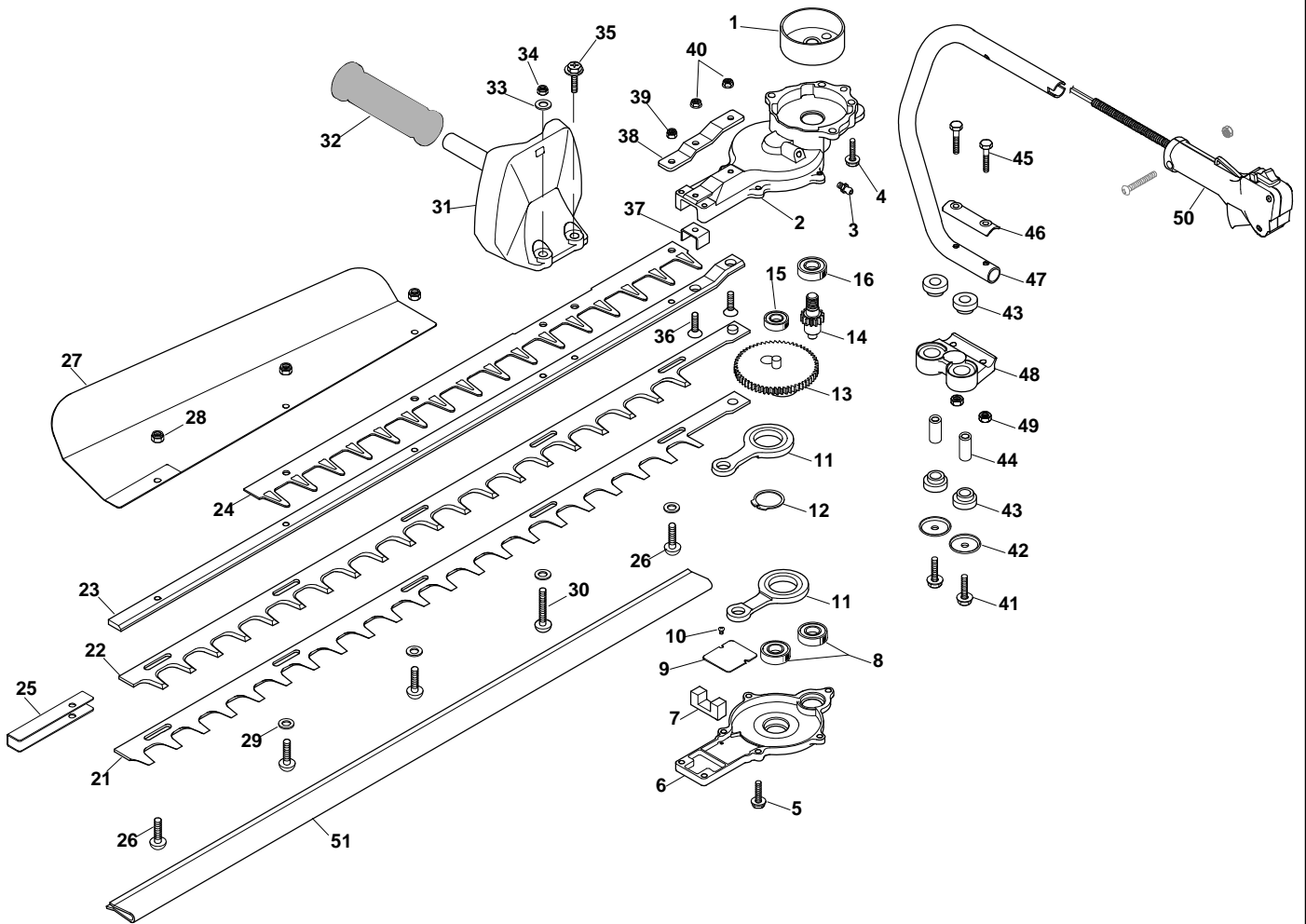


XH 75 K - Model Year 2008

Engine 2

Pos.	Part no.	Q.ty	Description	Remarks
1	6990057	1	Starter Ass.Y	
2	6990077	1	Screw	
3	6990067	1	Starter Pulley	
4	6990104	1	Spring	
5	6990050	1	Starter Handle	
6	6990019	1	Plate	
7	6990068	1	Starter Cord	
8	6990112	4	Screw	
11	6990083	2	Screw	
12	6990074	2	Screw	
13	6990010	1	Intake-Carb Gasket	
14	6990030	1	Intake Manifold	
15	6990085	2	Nut	
16	6990009	1	Intake Manif-Gasket	
21	6990026	1	Carburettor	
24	6990052	1	Air Purge Pump	

Cutting unit





XH 75 K - Model Year 2008

Cutting unit

Pos.	Part no.	Q.ty	Description	Remarks
1	6990122	1	Drum Ass'Y, Clutch	
2	6990199	1	Upper Case	
3	6990153	1	Grease Dispenser	
4	6990205	3	Screw	
5	6990141	7	Screw	
6	6990200	1	Lower Case	
7	6990202	1	Gasket	
8	6990151	2	Bearing	
9	6990183	1	Shoe	
10	6990139	2	Screw	
11	6990157	2	Connecting Rod	
12	6990150	1	Elastic Ring	
13	6990186	1	Sprocket	
14	6990193	1	Pinion	
15	6990151	1	Bearing	
16	6990152	1	Bearing	
21	6990182	1	Bottom Blade	
22	6990181	1	Top Blade	
23	6990192	1	Blade Holder	
24	6990198	1	Blade Guard	
25	6990180	1	Blades Holder Plate	
26	6990196	4	Screw	
27	6990184	1	Deflector	
28	6990146	3	Nut	
29	6990121	4	Washer	
30	6990197	1	Screw	
31	6990194	1	Fore Handle	
32	6990179	1	Knob	
33	6990210	1	Washer	
34	6990146	1	Nut	
35	6990207	1	Screw	
36	6990204	2	Screw	
37	6990128	1	Retainer	
38	6990201	1	Plate	
39	6990146	1	Nut	
40	6990209	2	Nut	
41	6990206	2	Screw	
42	6990191	2	Cap	
43	6990189	4	Grommet	
44	6990188	2	Spacer	
45	6990211	2	Screw	
46	6990190	1	Handle Fixing Plate	
47	6990203	1	Handle	
48	6990187	1	Handle Support	
49	6990208	2	Nut	
50	6990212	1	Hind Handle Assy	
51	6990195	1	Blade Cover	