



*Green Passion*

# Illustrated Parts List

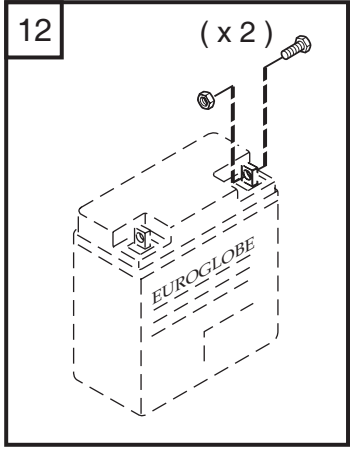
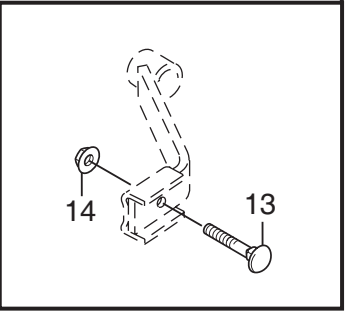
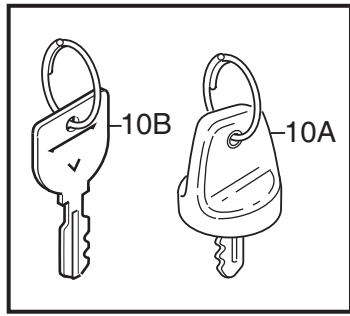
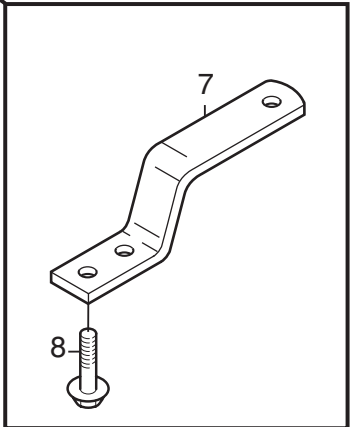
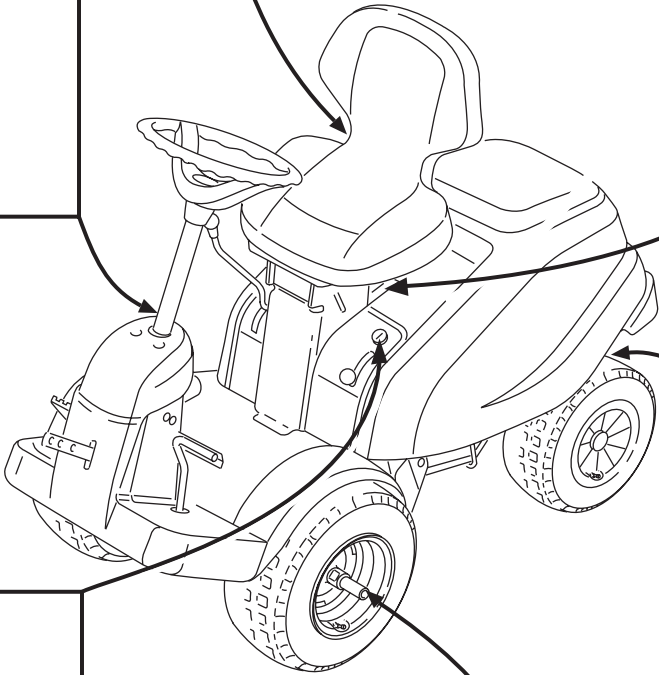
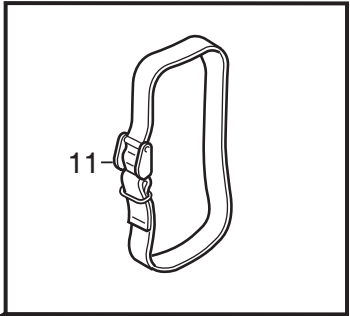
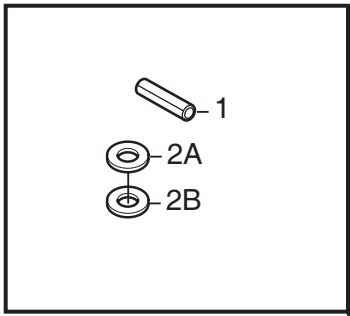
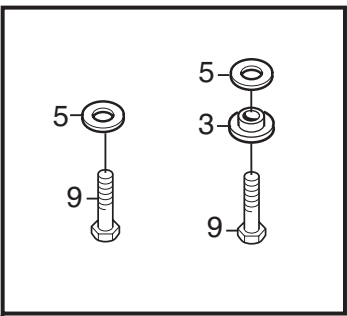
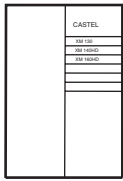
**XM 130-XM 140HD-XM 160HD**  
**Model Year 2010**

- Use GLOBAL GARDEN PRODUCT Genuine Spare Parts specified in the parts list for repair and/or replacement.
- The contents described in the parts list may change due to improvement.
- The drawings of the spare parts are only indicative and might not represent the part in question exactly.
- The indications "right" - "left" - "front" - "rear" refer to the position of the operator when using the machine.
- When placing orders of parts for repair and/or replacement, make sure that the illustrated parts list is the one applying to the machine's year of manufacture, as shown on the identification plate attached to the machine.

COPYRIGHT by GLOBAL GARDEN PRODUCTS

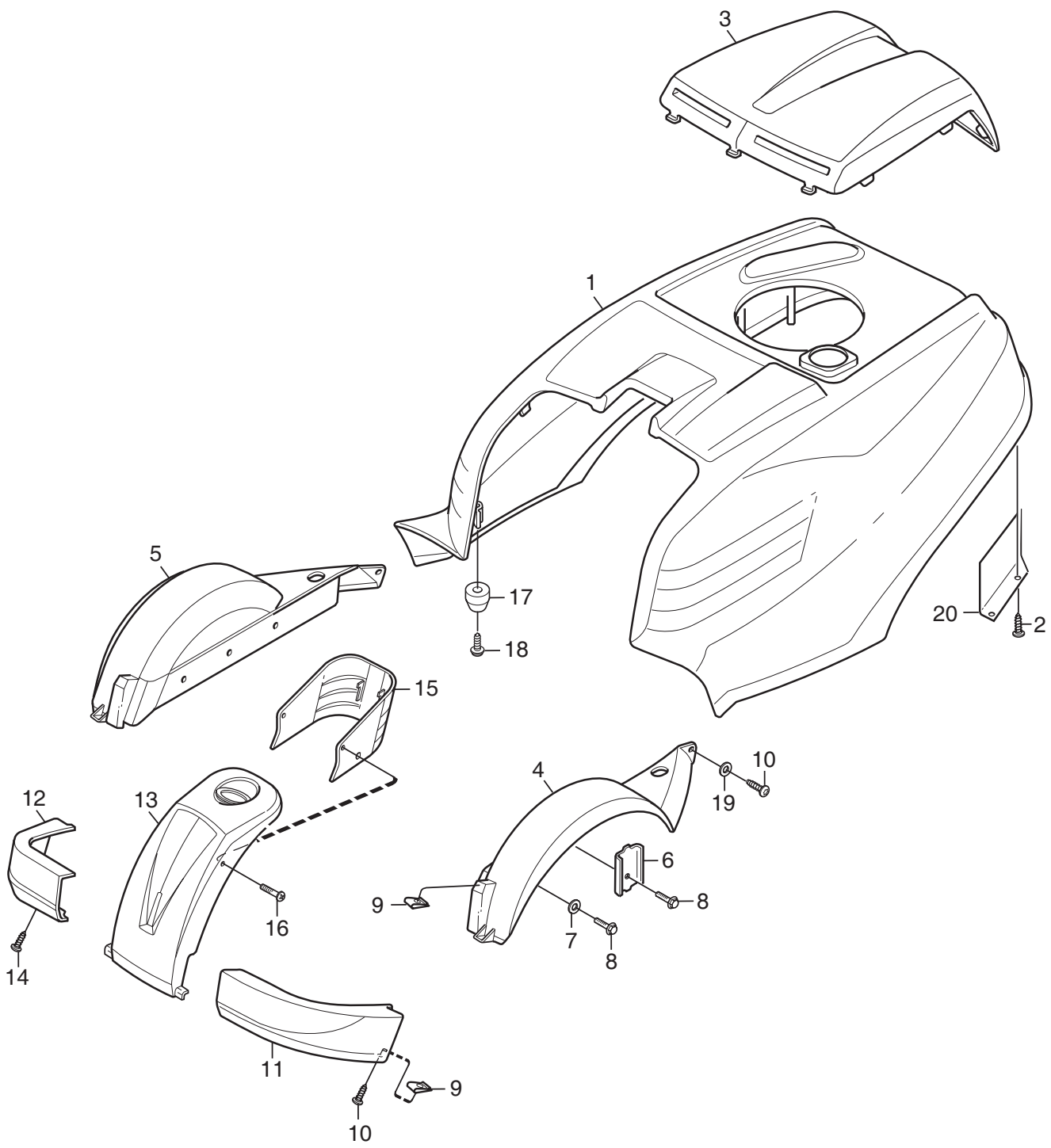
All rights reserved. No part of this material may be reproduced or transmitted, in any form or by any means, electronic or mechanical, including photocopying, recording or by any information storage and retrieval system, without permission in writing from GLOBAL GARDEN PRODUCTS.

21

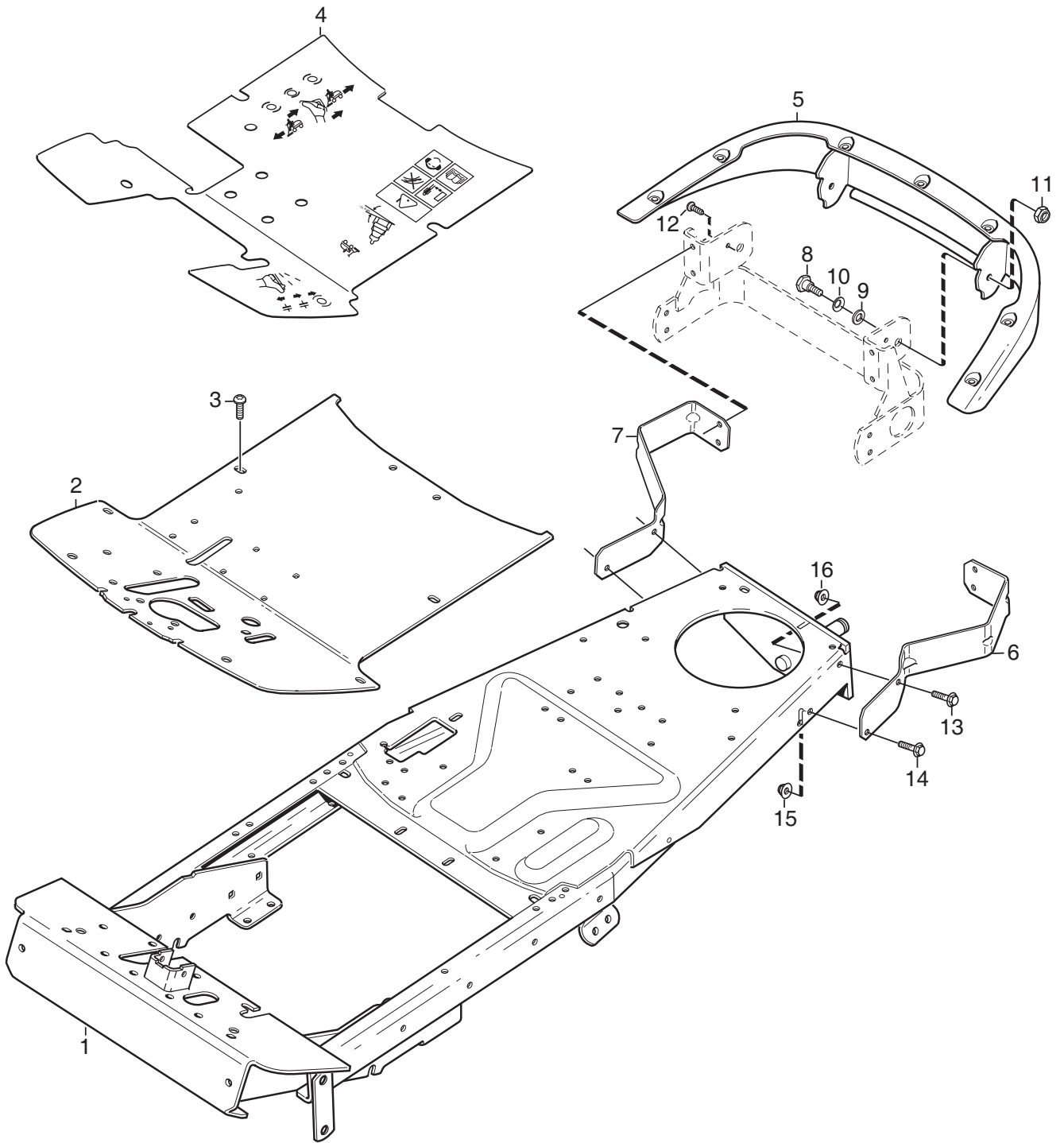


Ausgabe Issue 2010-31		Bild Nr Picture No C067C		XM 130 XM 140 HD- XM 160 HD MONTAGETEILEN		XM 130 XM 140 HD- XM 160 HD ASSEMBLY PARTS		Seite Page 28	
Pos. Fig.	Anzahl/Quantity				Artikel Nr. Part No	Bezeichnung	Description	Satz Kit	Anmerkung Notes
	2781 -90	2784 -90	2782 -90	2783 -90					
1	1	1	1	1	9595-0262-00	Spannstift .....	Locating pin .....		
2A	1	1	1	1	9699-0103-02	Scheibe.....	Flat washer.....		0.5 mm
2B	1	1	1	1	9699-0114-02	Scheibe.....	Flat washer.....		1.0 mm
3	2	2	2	2	1134-4185-01	Flanschscheibe .....	Flange washer .....		
5	4	4	4	4	9699-0056-02	Scheibe.....	Flat washer.....		
7	1	1	1	1	1134-4627-01	Anhängerstrebe .....	Tow bar .....		
8	2	2	2	2	9959-0820-16	Schraube .....	Screw.....		
9	4	4	4	4	9997-0820-16	Schraube .....	Screw.....		
10A	1	1	1	1	1134-4734-01	Zündschlüssel .....	Ignition key .....		
10B	1	1	1	1	1134-6125-01	Zündschlüssel .....	Ignition key .....		
11	1	1	1	1	1134-5245-01	Batterieriemen .....	Battery strap .....		
12	1	1	1	1	1134-6113-01	Batterieschrauben.....	Battery screws .....		
13	2	2	2	2	9898-1035-16	Schraube .....	Screw.....		
14	2	2	2	2	9739-1031-22	Mutter .....	Nut .....		
21	1		1	1	8211-0081-01	Bedienungsanleitung .....	Owner's manual .....		B&S- Motor
21		1			8211-0088-00	Bedienungsanleitung .....	Owner's manual .....		GGP- Motor
21	1	1	1	1	8211-0701-91	Sicherheitsvorschrift .....	Safety regulations .....		

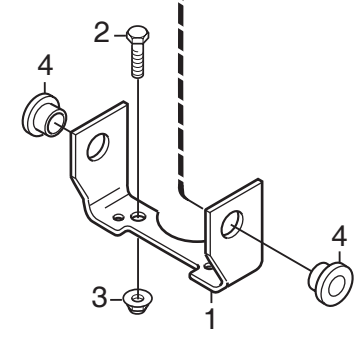
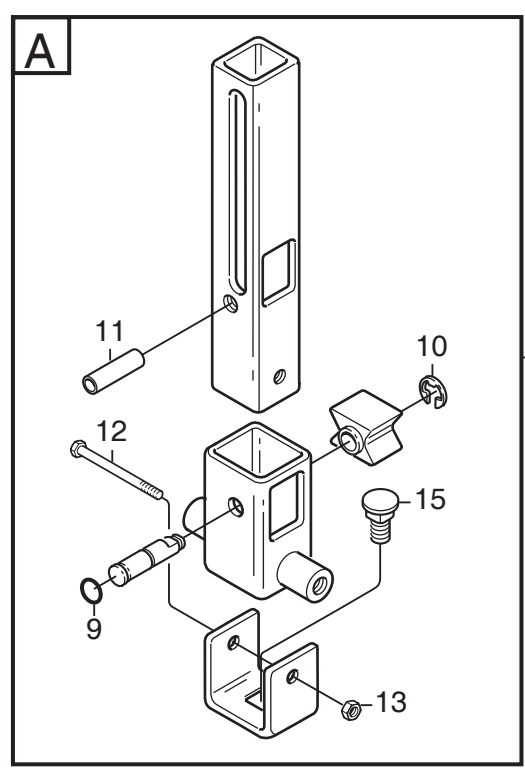
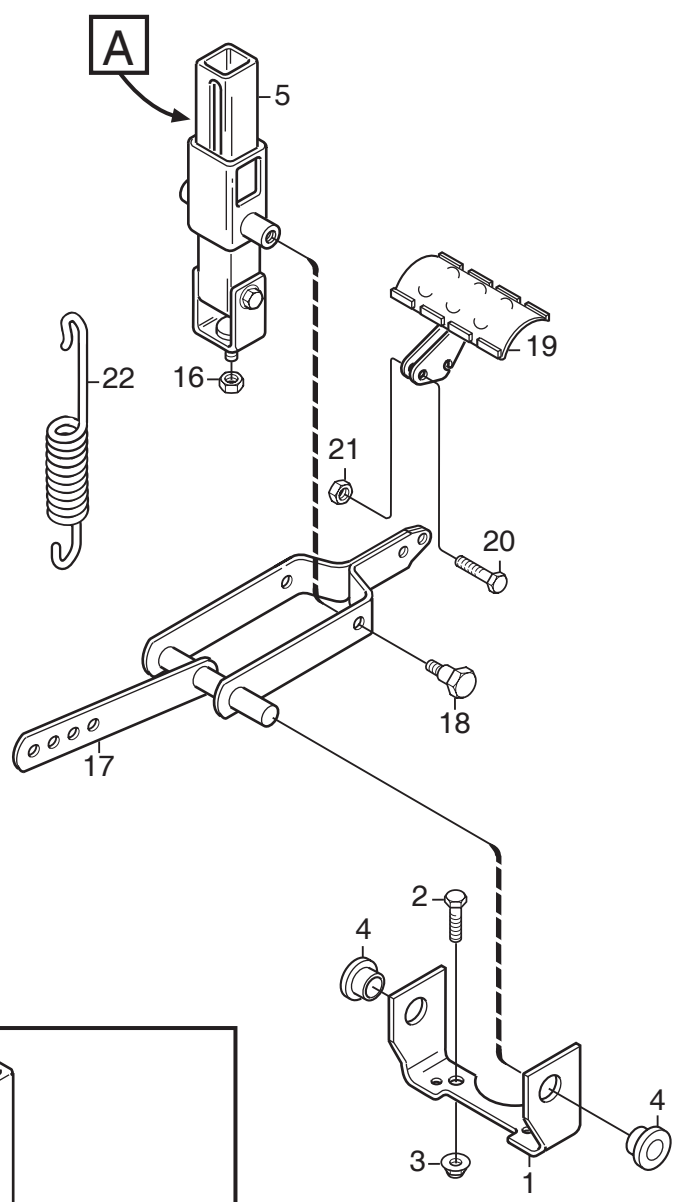
X  
X



Ausgabe Issue 2010-31		Bild Nr Picture No C068B		XM 130 XM 140 HD- XM 160 HD KAROSSERIE		XM 130 XM 140 HD- XM 160 HD BODY WORK		Seite Page 30	
Pos. Fig.	Anzahl/Quantity				Artikel Nr. Part No	Bezeichnung	Description	Satz Kit	Anmerkung Notes
	2781 -90	2784 -90	2782 -90	2783 -90					
X	1	1	1	1	1134-5392-01	Motorhaube- rot.....	Engine hood- red.....		
	2	7	7	7	9838-9530-12	Schraube .....	Screw .....		
	3	1	1	1	1134-5393-01	Motordeckel- grau .....	Engine cover- grey .....		
	4	1	1	1	1134-5307-05	Kotflügel- L .....	Mud guard- LH .....		
	5	1	1	1	1134-5307-06	Kotflügel- R .....	Mud guard- RH .....		
	6	2	2	2	1137-0088-01	Stützblech .....	Support plate .....		
	7	4	4	4	9699-0056-02	Scheibe .....	Flat washer .....		
	8	6	6	6	9945-0816-16	Schraube .....	Screw .....		
	9	4	4	4	1134-4176-01	Klemme .....	Clips .....		
	10	4	4	4	9893-0616-16	Schraube .....	Screw .....		
	11	1	1	1	1134-5367-01	Stoßfänger- vorder, L .....	Bumper- front, LH .....		
	12	1	1	1	1134-5367-02	Stoßfänger- vorder, R .....	Bumper- front, RH .....		
	13	1	1	1	1134-5362-01	Vorderteil- untere .....	Front- lower .....		
	14	6	6	6	9893-0616-16	Schraube .....	Screw .....		
	15	1	1	1	1134-5361-01	Vorderdeckel .....	Front cover .....		
	16	2	2	2	9840-8013-16	Schraube .....	Screw .....		
	17	2	2	2	1134-4790-02	Haubenführung .....	Hood guide .....		
	18	2	2	2	9838-9530-12	Schraube .....	Screw .....		
	19	2	2	2	9699-0060-02	Scheibe .....	Flat washer .....		
	20				1	1134-6199-01	Deflektor .....	Deflector .....	

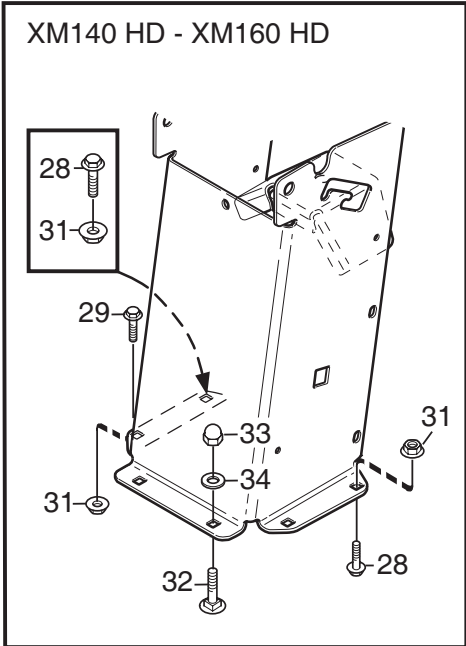
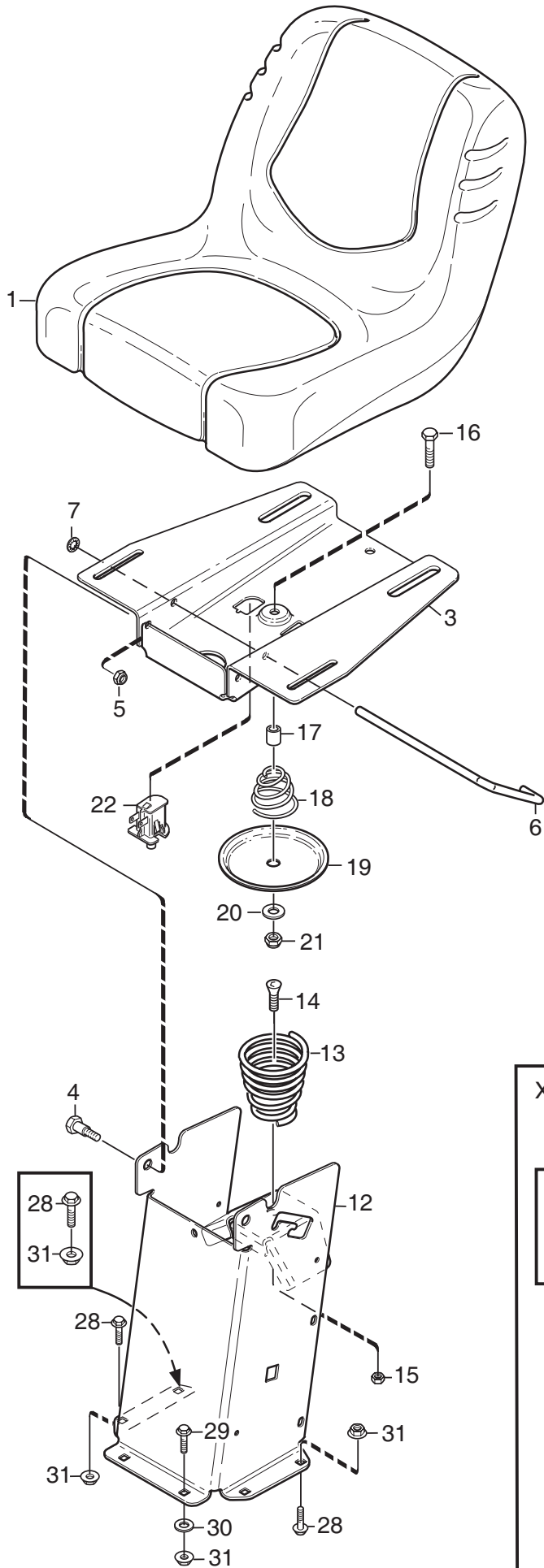


Ausgabe Issue 2010-31		Bild Nr Picture No 1642B		XM 130 XM 140 HD- XM 160 HD RAHMEN		XM 130 XM 140 HD- XM 160 HD FRAME		Seite Page 32	
Pos. Fig.	Anzahl/Quantity				Artikel Nr. Part No	Bezeichnung	Description	Satz Kit	Anmerkung Notes
	2781 -90	2784 -90	2782 -90	2783 -90					
1	1	1	1	1	1134-6635-01	Rahmen .....	Frame .....		
2	1	1	1	1	1134-5293-02	Bodenblech .....	Floor plate .....		
3	2	2	2	2	9893-0616-16	Schraube .....	Screw .....		
4	1	1			1134-5338-02	Bodenblechmatte .....	Floor mat .....		
4			1	1	1134-5339-02	Bodenblechmatte .....	Floor mat .....		
5	1	1	1	1	1134-5453-02	Stoßfänger- hintere .....	Bumper- rear .....		
6	1	1	1	1	1134-6630-01	Halterung- L .....	Attachment- LH .....		
7	1	1	1	1	1134-6630-02	Halterung- R .....	Attachment- RH .....		
8	2	2	2	2	1134-0240-00	Ansatzbolzen .....	Shoulder screw .....		
9	2	2	2	2	1134-4242-01	Distanzscheibe .....	Spacer washer .....		
10	2	2	2	2	9694-0001-00	Scheibe .....	Washer .....		
11	2	2	2	2	9747-0831-02	Mutter .....	Lock nut .....		
12	2	2	2	2	9943-0516-16	Schraube .....	Screw .....		
13	2	2	2	2	9959-0820-16	Schraube .....	Screw .....		
14	2	2	2	2	9959-0825-16	Schraube .....	Screw .....		
15	1	1	1	1	9739-0831-22	Mutter .....	Nut .....		
16	3	3	3	3	9739-0831-22	Mutter .....	Nut .....		

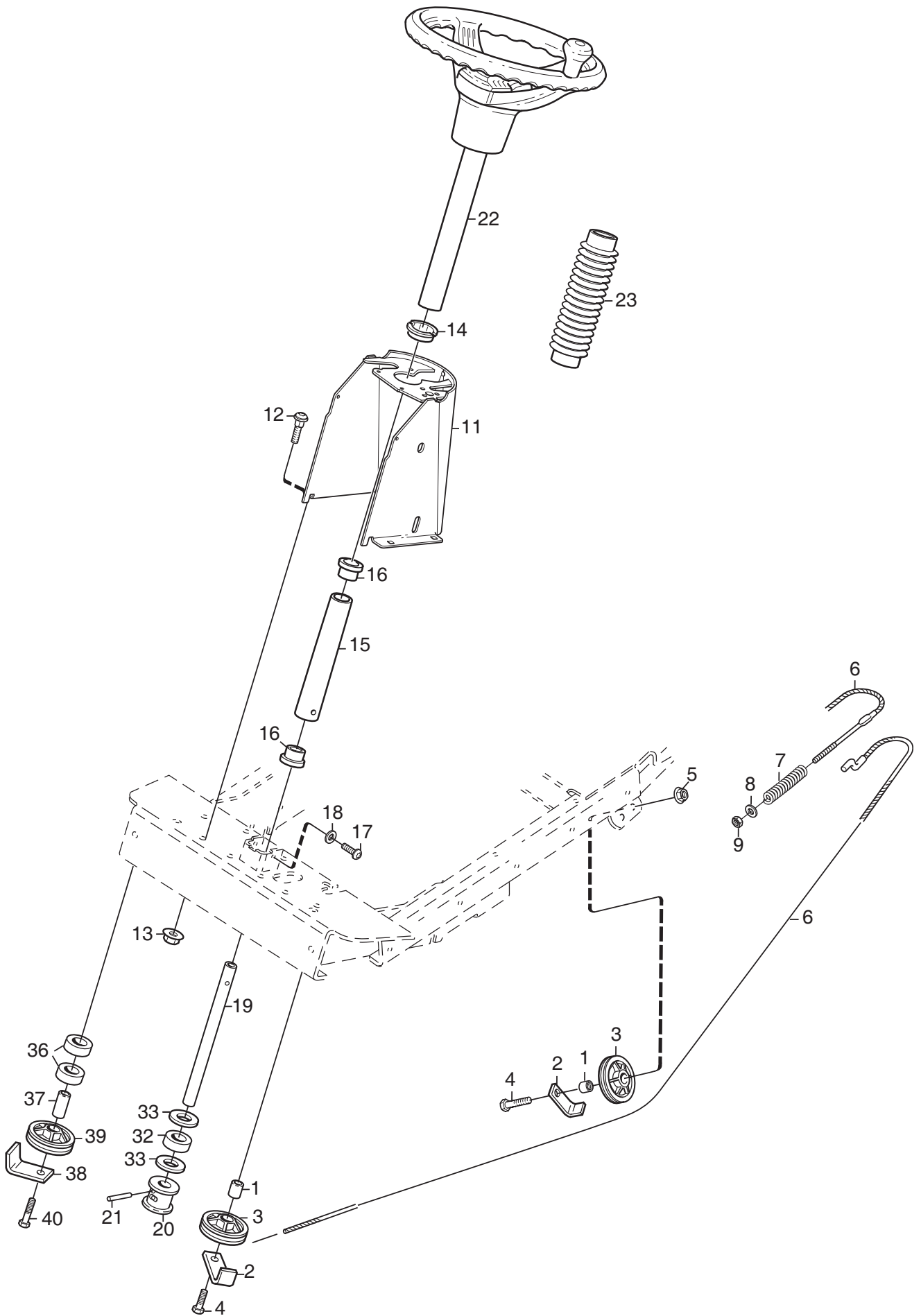




Ausgabe Issue 2010-31		Bild Nr Picture No C070				XM 130 XM 140 HD- XM 160 HD PEDALHEBER		XM 130 XM 140 HD- XM 160 HD PEDAL LIFT		Seite Page 34	
Pos. Fig.	Anzahl/Quantity				Artikel Nr. Part No	Bezeichnung	Description	Satz Kit	Anmerkung Notes		
	2781 -90	2784 -90	2782 -90	2783 -90							
1	1	1	1	1	1134-4117-01	Halterung .....	Bracket .....		Pos 9 - 15 incl.		
2	2	2	2	2	9959-1025-16	Schraube .....	Screw .....				
3	2	2	2	2	9739-1031-22	Mutter .....	Nut .....				
4	2	2	2	2	1134-2684-01	Lager .....	Bearing .....				
5	1	1	1	1	1134-4945-01	Hebesperre Kpl .....	Lift catch assy .....				
9	1	1	1	1	9404-0027-01	• O- ring .....	• O- ring .....				
10	1	1	1	1	9650-0039-04	• Schließring .....	• Lock ring .....				
11	1	1	1	1	9595-0276-01	• Spannstift .....	• Locating pin .....				
12	1	1	1	1	9997-0640-12	• Schraube .....	• Screw .....				
13	1	1	1	1	9747-0631-02	• Mutter .....	• Lock nut .....				
15	1	1	1	1	9897-0820-16	• Schraube .....	• Screw .....				
16	1	1	1	1	9747-0831-02	Mutter .....	Lock nut .....				
17	1	1	1	1	1134-4860-01	Hebegabel .....	Lift fork .....				
18	2	2	2	2	1134-0240-00	Ansatzbolzen .....	Shoulder screw .....				
19	1	1	1	1	1134-4938-01	Hebepedal .....	Lift pedal .....				
20	2	2	2	2	9997-0625-16	Schraube .....	Screw .....				
21	2	2	2	2	9739-0631-22	Mutter .....	Nut .....				
22	1	1	1	1	4231-0013-00	Feder .....	Spring .....				

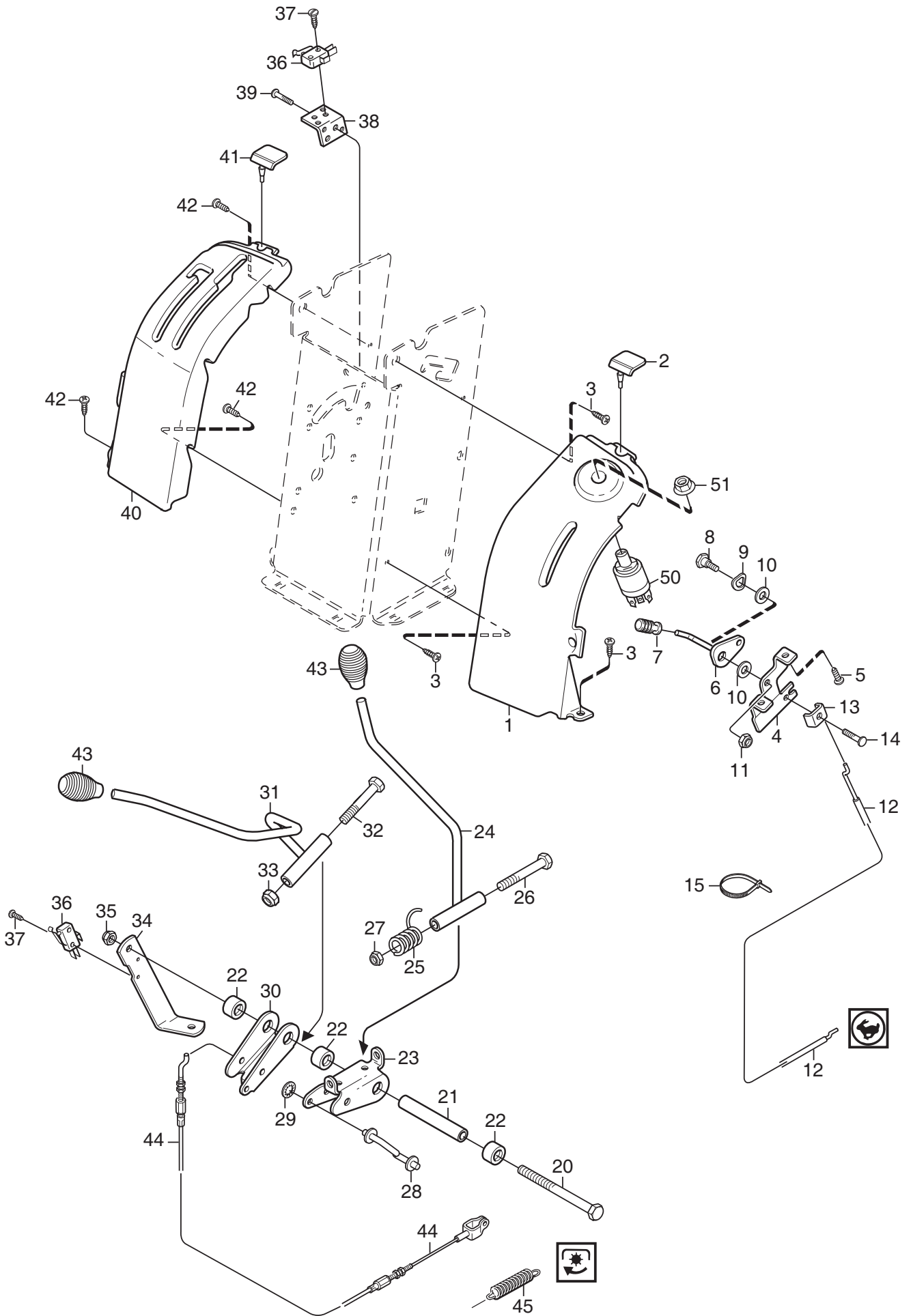


Ausgabe Issue 2010-31		Bild Nr Picture No C071B		XM 130 XM 140 HD- XM 160 HD SITZ		XM 130 XM 140 HD- XM 160 HD SEAT		Seite Page 36	
Pos. Fig.	Anzahl/Quantity				Artikel Nr. Part No	Bezeichnung	Description	Satz Kit	Anmerkung Notes
	2781 -90	2784 -90	2782 -90	2783 -90					
1	1	1	1	1	1134-5534-01	Sitz .....	Seat .....		
3	1	1	1	1	1134-5301-01	Sitzplatte .....	Seat plate .....		
4	2	2	2	2	1134-0240-00	Ansatzbolzen .....	Shoulder screw .....		
5	2	2	2	2	9747-0831-02	Mutter .....	Lock nut .....		
6	1	1	1	1	1134-5454-01	Sperre .....	Catch .....		
7	1	1	1	1	9675-0012-02	Verriegelungsscheibe .....	Locking washer .....		
12	1	1	1	1	1134-5296-05	Sitzkonsole- schw. ....	Seat bracket- black .....		
13	1	1	1	1	1134-4256-01	Sitzfeder .....	Seat spring .....		
14	1	1	1	1	9924-1235-19	Schraube .....	Screw .....		
15	1	1	1	1	9747-1231-02	Mutter .....	Lock nut .....		
16	1	1	1	1	9997-0840-16	Schraube .....	Screw .....		
17	1	1	1	1	1134-1565-06	Distanz .....	Spacer .....		
18	1	1	1	1	1134-5302-01	Feder .....	Spring .....		
19	1	1	1	1	1134-5299-01	Druckplatte .....	Push plate .....		
20	1	1	1	1	9699-0090-02	Scheibe .....	Flat washer .....		
21	1	1	1	1	9747-0831-02	Mutter .....	Lock nut .....		
22	1	1	1	1	1134-3156-02	Schalter (grau) .....	Switch (grey) .....		
28	4	4	3	3	9959-0820-16	Schraube .....	Screw .....		L = 20 mm
29	2	2	1	1	9959-0825-16	Schraube .....	Screw .....		L = 25 mm
30	2	2			9699-0056-02	Scheibe .....	Flat washer .....		
31	6	6	4	4	9739-0831-22	Mutter .....	Nut .....		
32			2	2	9897-0820-16	Schraube .....	Screw .....		
33			2	2	9757-0821-02	Mutter .....	Cap nut .....		
34			2	2	9699-0090-02	Scheibe .....	Flat washer .....		



C072A

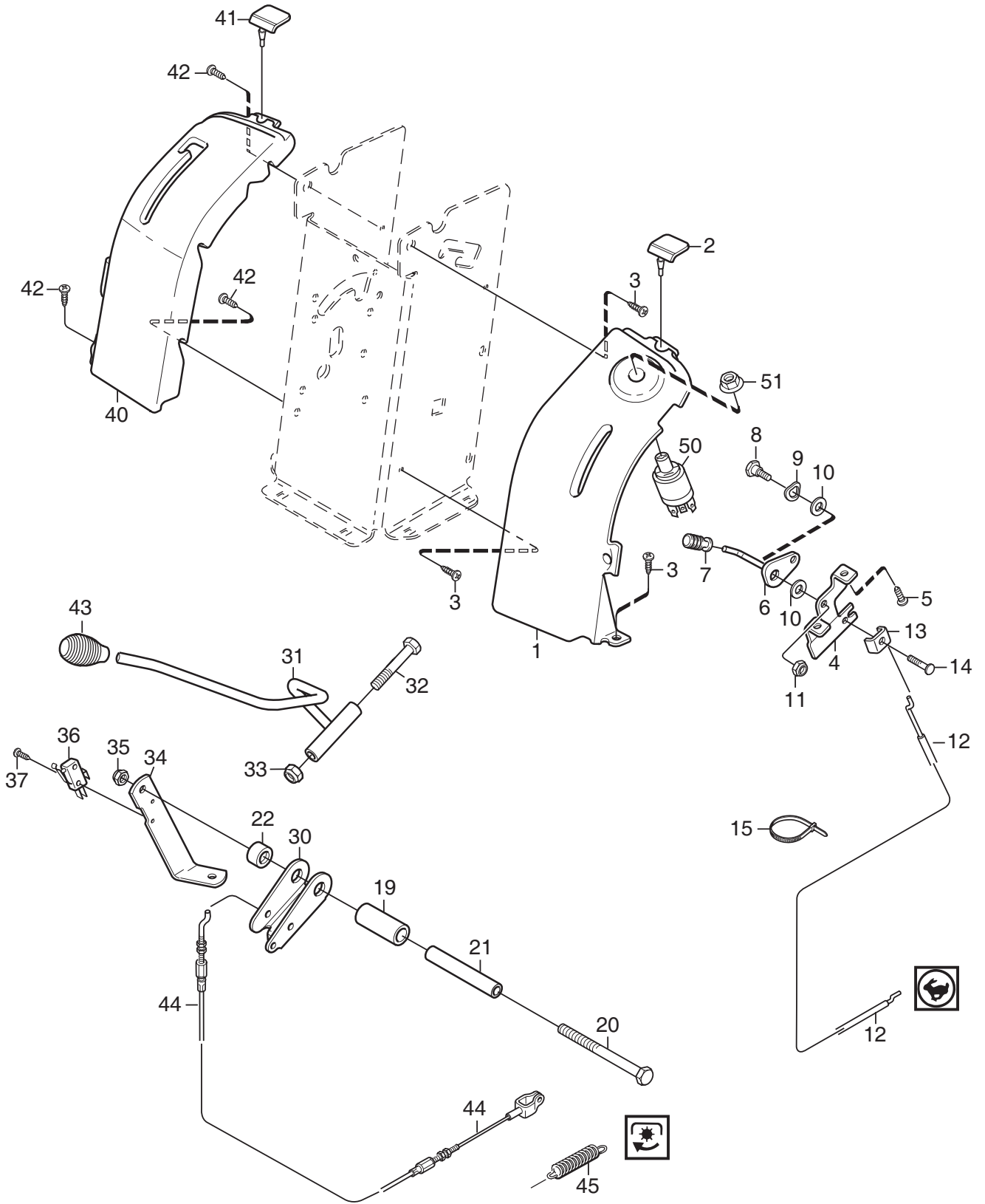
Ausgabe Issue 2010-31		Bild Nr Picture No C072A				XM 130 XM 140 HD- XM 160 HD LENKUNG		XM 130 XM 140 HD- XM 160 HD STEERING		Seite Page 38	
Pos. Fig.	Anzahl/Quantity				Artikel Nr. Part No	Bezeichnung	Description	Satz Kit	Anmerkung Notes		
	2781 -90	2784 -90	2782 -90	2783 -90							
X	1	3	3	3	3	1134-0041-01	Hülse .....	Bushing .....			
	2	3	3	3	3	1134-0046-00	Drahthalter .....	Wire clamp .....			
	3	3	3	3	3	1134-0072-02	Seilrolle .....	Steering pulley .....			
	4	3	3	3	3	9997-1040-16	Schraube .....	Screw .....			
	5	2	2	2	2	9739-1031-22	Mutter .....	Nut .....			
	6	1	1	1	1	1137-0093-01	Lenkdrahtseil .....	Steering cable .....			
	7	1	1	1	1	1134-1310-01	Druckfeder .....	Compression spring .....			
	8	1	1	1	1	9699-0056-02	Scheibe .....	Flat washer .....			
	9	1	1	1	1	9747-0831-02	Mutter .....	Lock nut .....			
	11	1	1	1	1	1134-5349-05	Lenkkonsole- grau .....	Steering console- grey .....			
	12	4	4	4	4	9897-0820-16	Schraube .....	Screw .....			
	13	4	4	4	4	9739-0831-22	Mutter .....	Nut .....			
	14	1	1	1	1	1134-4483-01	Buchse .....	Bushing .....			
	15	1	1	1	1	1134-1305-05	Lenkrohr- untere .....	Steering column- lower .....			
	16	2	2	2	2	1134-1901-01	Lager .....	Bearing .....			
	17	2	2	2	2	9893-0616-16	Schraube .....	Screw .....			
	18	2	2	2	2	9699-0060-02	Scheibe .....	Flat washer .....			
	19	1	1	1	1	1134-5495-01	Lenkstange .....	Steering rod .....			
	20	1	1	1	1	1134-1933-01	Lenkrolle .....	Steering pulley .....			
	21	1	1	1	1	9595-0262-00	Spannstift .....	Locating pin .....			
	22	1	1	1	1	1134-5533-01	Lenkrad .....	Steering wheel .....			
	23	1	1	1	1	1134-5545-01	Lenkstangenschutz .....	Steering tube muff .....			
	32	1	1	1	1	1134-3047-01	Distanz .....	Spacer .....			
	33	2	2	2	2	9699-0104-02	Scheibe .....	Washer .....			
	36	2	2	2	2	1134-3047-01	Distanz .....	Spacer .....			
	37	1	1	1	1	1134-0041-05	Hülse .....	Bushing .....			
	38	1	1	1	1	1134-0046-00	Drahthalter .....	Wire clamp .....			
	39	1	1	1	1	1134-0072-02	Seilrolle .....	Steering pulley .....			
	40	1	1	1	1	9997-1060-12	Schraube .....	Screw .....			



C073A

Ausgabe Issue 2010-31		Bild Nr Picture No C073A		XM 130 HANDBEDIENELEMENTE		XM 130 HAND CONTROLS		Seite Page 40	
Pos. Fig.	Anzahl/Quantity			Artikel Nr. Part No	Bezeichnung	Description	Satz Kit	Anmerkung Notes	
	2781 -90	2784 -90							
1	1	1		1134-5286-03	Regulierpanel- L.....	Control panel- LH.....			
2	2	2		1134-5531-01	Dämpfer.....	Absorber.....			
3	3	3		9893-0616-16	Schraube.....	Screw.....			
4	1	1		1134-5357-01	Halterung.....	Bracket.....			
5	2	2		9838-9516-12	Schraube.....	Screw.....			
6	1	1		1134-4077-01	Gasregulierung.....	Throttle control.....			
7	1	1		1134-5563-01	Knopf.....	Knob.....			
8	1	1		1134-0240-00	Ansatzbolzen.....	Shoulder screw.....			
9	1	1		9694-0001-00	Scheibe.....	Washer.....			
10	2	2		1134-4242-01	Distanzscheibe.....	Spacer washer.....			
11	1	1		9747-0831-02	Mutter.....	Lock nut.....			
12	1	1		1134-1597-13	Gasdraht.....	Throttle cable.....			
13	1	1		9500-9991-00	Drahtklemme.....	Cable clamp.....			
14	1	1		9943-0516-16	Schraube.....	Screw.....			
15	1	1		9579-0003-00	Kabelhalter.....	Cable holder.....			
20	1	1		9997-0812-02	Schraube.....	Screw.....			
21	1	1		1134-5274-02	Distanz.....	Spacer.....			
22	3	3		1134-3047-01	Distanz.....	Spacer.....			
23	1	1		1134-5271-01	Regulierhalterung.....	Control bracket.....			
24	1	1		1134-5275-01	Schalthebel.....	Gear shift lever.....			
25	1	1		1134-5535-01	Feder.....	Spring.....			
26	1	1		9997-0890-12	Schraube.....	Screw.....			
27	1	1		9747-0831-02	Mutter.....	Lock nut.....			
28	1	1		1134-5268-01	Schaltstange.....	Shifter rod.....			
29	1	1		9675-0009-02	Verriegelungsscheibe.....	Starlock.....			
30	1	1		1134-5271-01	Regulierhalterung.....	Control bracket.....			
31	1	1		1134-5276-01	Regulierhebel.....	Control lever.....			
32	1	1		9997-0890-12	Schraube.....	Screw.....			
33	1	1		9747-0831-02	Mutter.....	Lock nut.....			
34	1	1		1134-5356-01	Strebe.....	Strut.....			
35	1	1		9747-0831-02	Mutter.....	Lock nut.....			
36	2	2		9400-0360-01	Mikroschalter.....	Micro switch.....			
37	4	4		9840-7716-16	Schraube.....	Screw.....			
38	1	1		1134-5358-01	Schalhalterung.....	Switch bracket.....			
39	2	2		9943-0516-16	Schraube.....	Screw.....			
40	1	1		1134-5285-05	Regulierpanel- R.....	Control panel- RH.....			
41	2	2		1134-5531-01	Dämpfer.....	Absorber.....			
42	4	4		9893-0616-16	Schraube.....	Screw.....			
43	2	2		1134-5564-01	Regulierknopf.....	Control knob.....			
44	1	1		1134-3573-06	Nebenantriebsdraht.....	PTO cable.....			
45	1	1		1134-1242-02	Feder.....	Spring.....			
50	1	1		1134-4093-01	Zündschloß.....	Ignition switch.....			
51	1	1		1134-4749-01	Mutter.....	Nut.....			

X

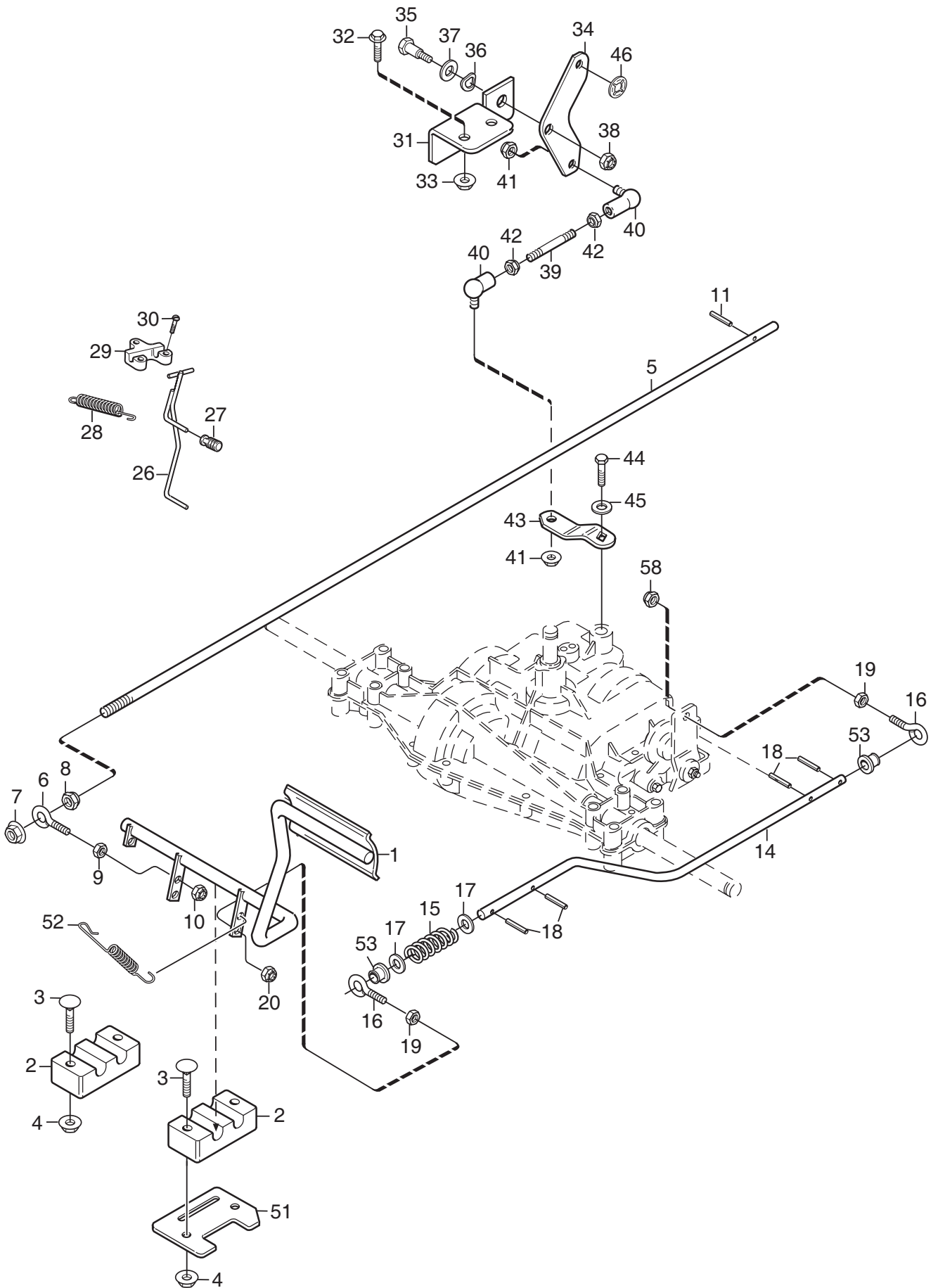


C074A



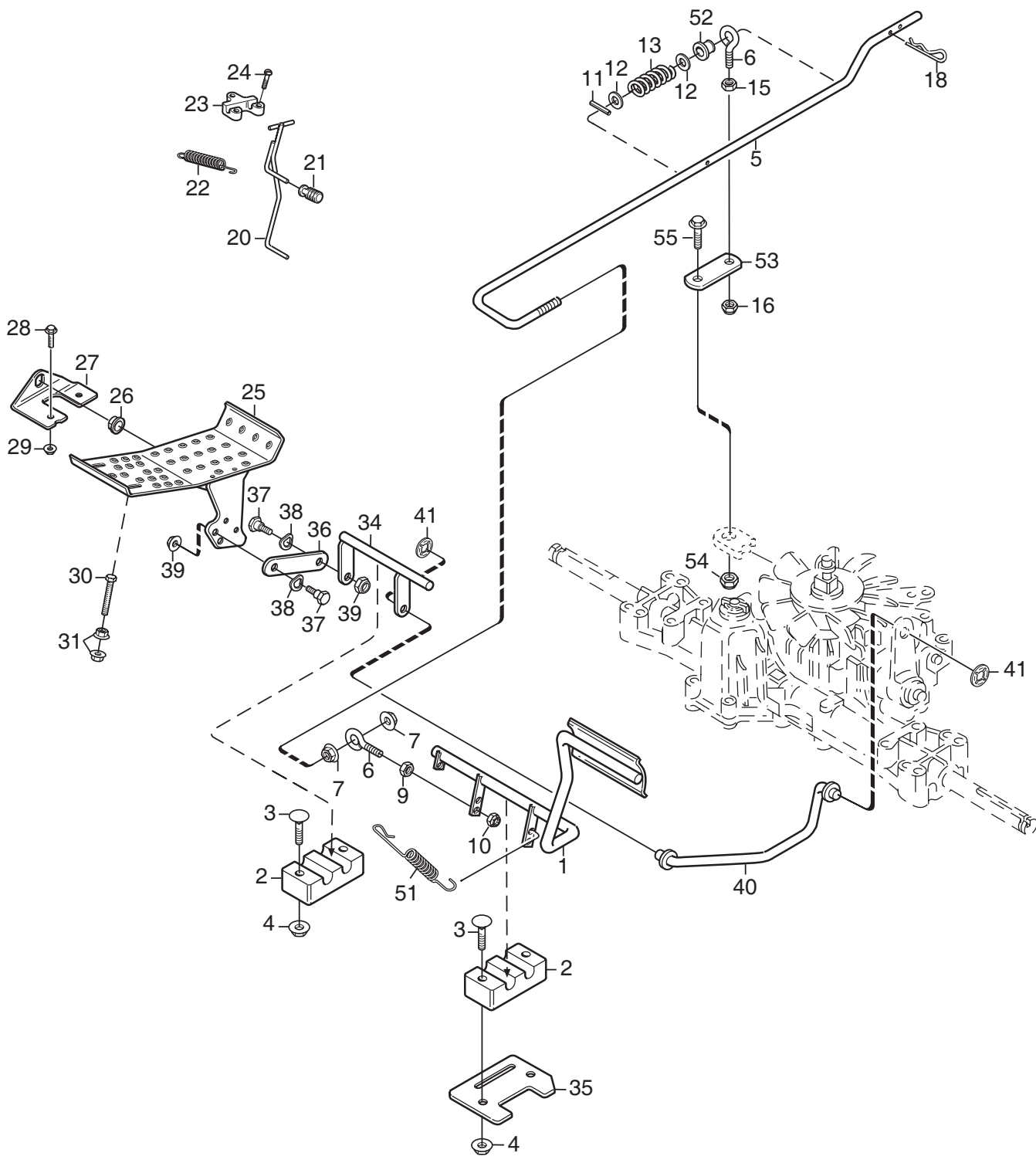
Ausgabe Issue 2010-31		Bild Nr Picture No C074A		XM 140 HD- XM 160 HD HANDBEDIENELEMENTE		XM 140 HD- XM 160 HD HAND CONTROLS		Seite Page 42	
Pos. Fig.	Anzahl/Quantity			Artikel Nr. Part No	Bezeichnung	Description	Satz Kit	Anmerkung Notes	
	2782 -90	2783 -90							
1	1	1		1134-5286-03	Regulierpanel- L.....	Control panel- LH .....			
2	2	2		1134-5531-01	Dämpfer.....	Absorber .....			
3	3	3		9893-0616-16	Schraube .....	Screw .....			
4	1	1		1134-5357-01	Halterung.....	Bracket .....			
5	2	2		9838-9516-12	Schraube .....	Screw .....			
6	1	1		1134-4077-01	Gasregulierung .....	Throttle control .....			
7	1	1		1134-5563-01	Knopf.....	Knob .....			
8	1	1		1134-0240-00	Ansatzbolzen .....	Shoulder screw .....			
9	1	1		9694-0001-00	Scheibe.....	Washer.....			
10	2	2		1134-4242-01	Distanzscheibe.....	Spacer washer .....			
11	1	1		9747-0831-02	Mutter.....	Lock nut .....			
12	1	1		1134-1597-13	Gasdraht.....	Throttle cable .....			
13	1	1		9500-9991-00	Drahtklemme .....	Cable clamp .....			
14	1	1		9943-0516-16	Schraube .....	Screw .....			
15	1	1		9579-0003-00	Kabelhalter.....	Cable holder .....			
19	1	1		1134-5508-01	Regulierhülse.....	Control sleeve .....			
20	1	1		9997-0812-02	Schraube .....	Screw .....			
21	1	1		1134-5274-02	Distanz.....	Spacer.....			
22	1	1		1134-3047-01	Distanz.....	Spacer.....			
30	1	1		1134-5271-01	Regulierhalterung .....	Control bracket .....			
31	1	1		1134-5276-01	Regulierhebel.....	Control lever .....			
32	1	1		9997-0890-12	Schraube .....	Screw .....			
33	1	1		9747-0831-02	Mutter.....	Lock nut .....			
34	1	1		1134-5356-01	Strebe.....	Strut .....			
35	1	1		9747-0831-02	Mutter.....	Lock nut .....			
36	1	1		9400-0360-01	Mikroschalter.....	Micro switch .....			
37	2	2		9840-7716-16	Schraube .....	Screw .....			
40	1	1		1134-5285-06	Regulierpanel- R .....	Control panel- RH.....			
41	2	2		1134-5531-01	Dämpfer.....	Absorber .....			
42	4	4		9893-0616-16	Schraube .....	Screw .....			
43	1	1		1134-5564-01	Regulierknopf.....	Control knob .....			
44	1	1		1134-3573-06	Nebenantriebsdraht .....	PTO cable.....			
45	1	1		1134-1242-02	Feder .....	Spring .....			
50	1	1		1134-4093-01	Zündschloß.....	Ignition switch .....			
51	1	1		1134-4749-01	Mutter.....	Nut.....			

X

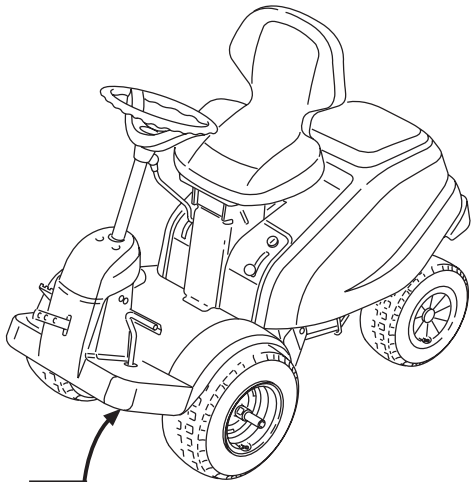


C075B

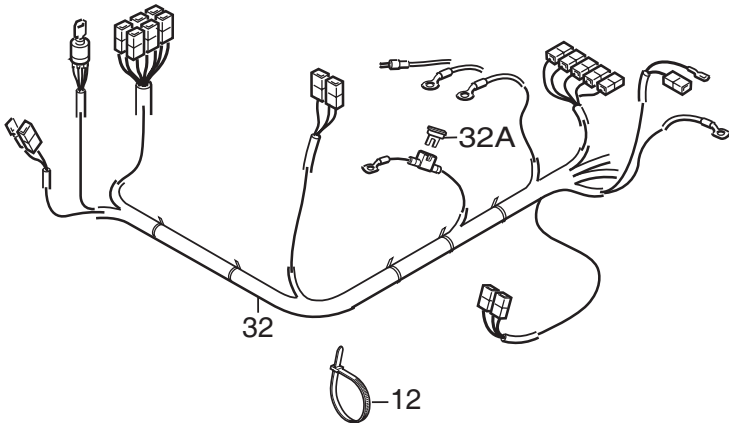
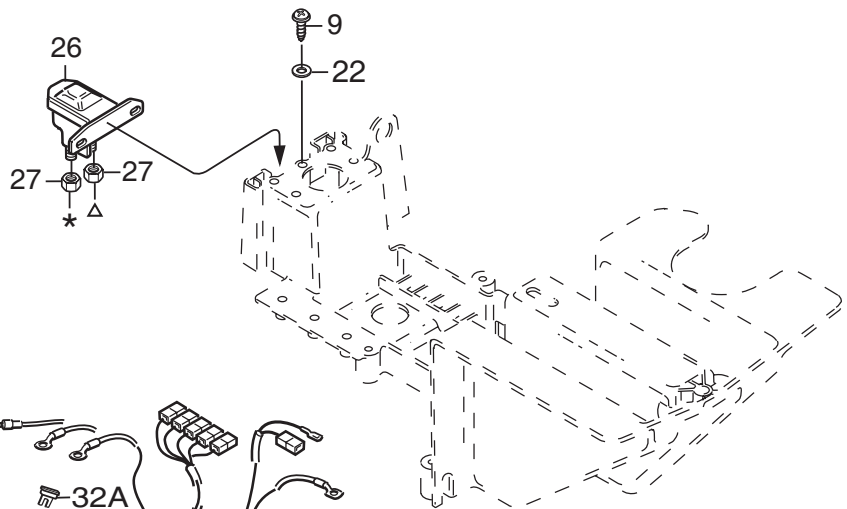
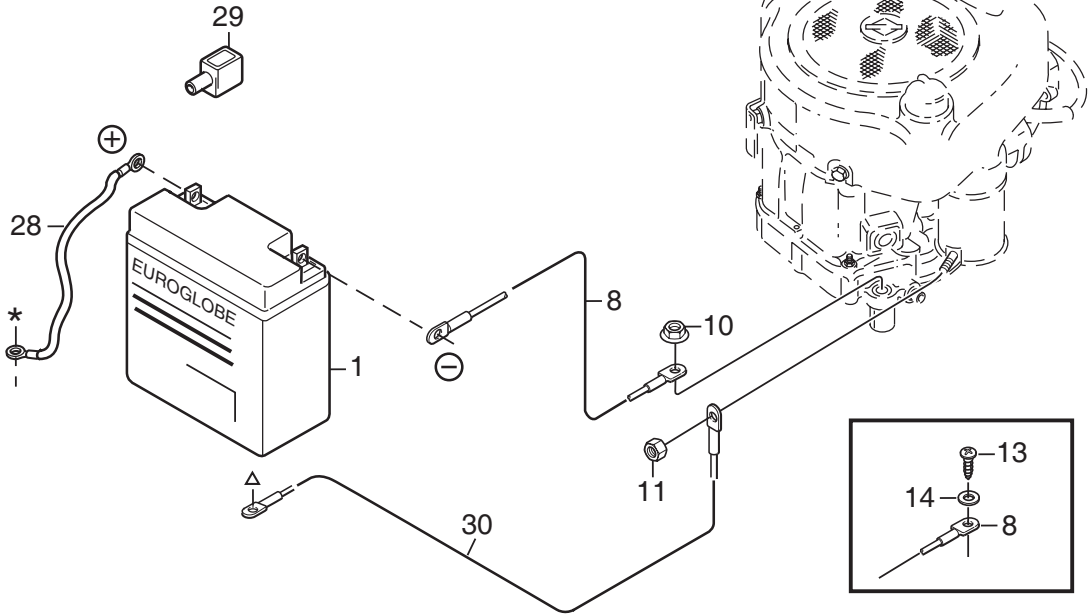
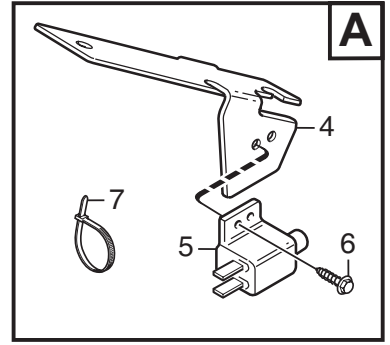
Ausgabe Issue 2010-31		Bild Nr Picture No C075B		XM 130 FUßBEDIENELEMENTE		XM 130 FOOT CONTROLS		Seite Page 44	
Pos. Fig.	Anzahl/Quantity			Artikel Nr. Part No	Bezeichnung	Description	Satz Kit	Anmerkung Notes	
	2781 -90	2784 -90							
1	1	1		1134-4802-01	Pedal .....	Pedal .....			
2	2	2		1134-4624-01	Lager .....	Bearing .....			
3	4	4		9897-0640-12	Schraube .....	Screw .....			
4	4	4		9739-0631-22	Mutter .....	Nut .....			
5	1	1		1134-4795-01	Kupplungsstange .....	Clutch rod .....			
6	1	1		1134-2138-01	Schrauböse .....	Eye bolt .....			
7	1	1		9739-1031-22	Mutter .....	Nut .....			
8	1	1		9731-1031-22	Mutter .....	Nut .....			
9	1	1		9739-0831-22	Mutter .....	Nut .....			
10	1	1		9747-0831-02	Mutter .....	Lock nut .....			
11	1	1		9595-0208-00	Spannstift .....	Locating pin .....			
14	1	1		1134-4777-01	Bremsstange .....	Brake rod .....			
15	1	1		1134-4617-01	Feder .....	Spring .....			
16	2	2		1134-2138-01	Schrauböse .....	Eye bolt .....			
17	2	2		9699-0035-02	Scheibe .....	Flat washer .....			
18	4	4		9595-0208-00	Spannstift .....	Locating pin .....			
19	2	2		9739-0831-22	Mutter .....	Nut .....			
20	1	1		9747-0831-02	Mutter .....	Lock nut .....			
26	1	1		1134-5353-01	Bremsstange .....	Brake rod .....			
27	1	1		1134-5566-01	Knopf .....	Knob .....			
28	1	1		1131-1497-01	Feder .....	Spring .....			
29	1	1		1134-4002-01	Halterung .....	Brake rod attachment .....			
30	3	3		9838-9516-12	Schraube .....	Screw .....			
31	1	1		1134-4714-01	Winkelhalterung .....	Angle bracket .....			
32	2	2		9959-0820-16	Schraube .....	Screw .....			
33	2	2		9739-0831-22	Mutter .....	Nut .....			
34	1	1		1134-4715-01	Dreieckenblech .....	Triangular plate .....			
35	1	1		1134-0240-00	Ansatzbolzen .....	Shoulder screw .....			
36	1	1		9694-0001-00	Scheibe .....	Washer .....			
37	1	1		9699-0036-02	Scheibe .....	Flat washer .....			
38	1	1		9747-0831-02	Mutter .....	Lock nut .....			
39	1	1		1134-4717-02	Gewindestange .....	Threaded rod .....			
40	2	2		9570-0004-00	Winkelgelenk .....	Elbow link .....			
41	2	2		9747-0631-02	Mutter .....	Lock nut .....			
42	2	2		9739-0631-22	Mutter .....	Nut .....			
43	1	1		1134-6351-01	Schaltarm .....	Shift lever .....			
44	1	1		9987-5016-16	Schraube .....	Screw .....			
45	1	1		9699-0060-02	Scheibe .....	Flat washer .....			
46	1	1		9675-0009-02	Verriegelungsscheibe .....	Starlock .....			
51	1	1		1134-4793-01	Halteblech .....	Stop plate .....			
52	1	1		4231-0013-00	Feder .....	Spring .....			
53	2	2		1134-4779-01	Plastikbuchse .....	Plastic bushing .....			
58	1	1		9747-0831-02	Mutter .....	Lock nut .....			



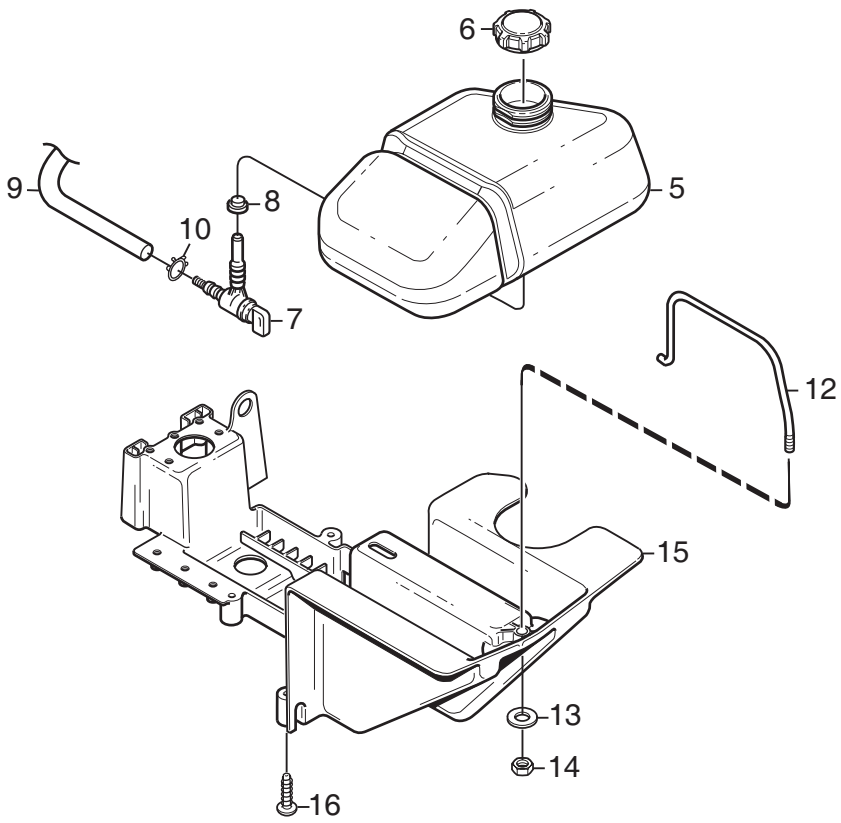
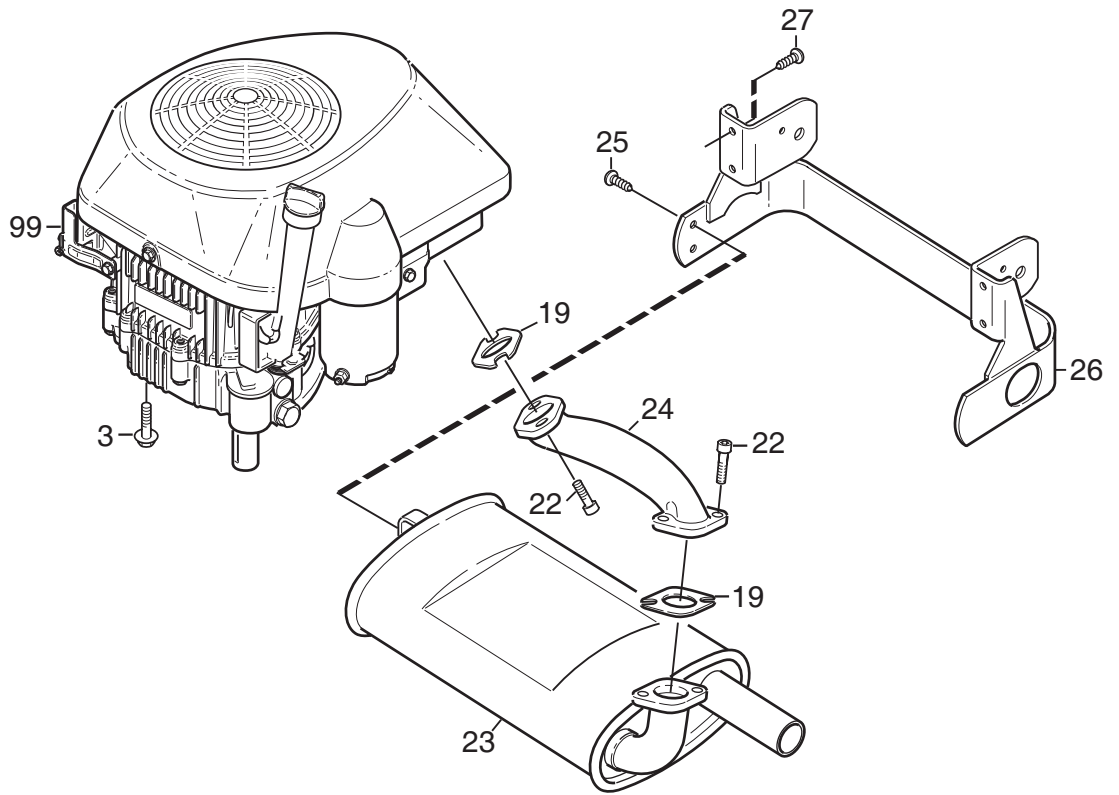
Ausgabe Issue 2010-31		Bild Nr Picture No C076B		XM 140 HD- XM 160 HD FUßBEDIENELEMENTE		XM 140 HD- XM 160 HD FOOT CONTROLS		Seite Page 46	
Pos. Fig.	Anzahl/Quantity			Artikel Nr. Part No	Bezeichnung	Description	Satz Kit	Anmerkung Notes	
	2782 -90	2783 -90							
1	1	1		1134-4802-01	Pedal .....	Pedal .....			
2	2	2		1134-4624-01	Lager .....	Bearing.....			
3	4	4		9897-0640-12	Schraube .....	Screw.....			
4	4	4		9739-0631-22	Mutter .....	Nut .....			
5	1	1		1134-4949-01	Kupplungsstange.....	Clutch rod .....			
6	2	2		1134-2138-01	Schrauböse .....	Eye bolt .....			
7	2	2		9739-1031-22	Mutter .....	Nut .....			
9	1	1		9739-0831-22	Mutter .....	Nut .....			
10	1	1		9747-0831-02	Mutter .....	Lock nut.....			
11	1	1		9595-0208-00	Spannstift .....	Locating pin .....			
12	2	2		9699-0035-02	Scheibe.....	Flat washer.....			
13	1	1		1134-4617-01	Feder .....	Spring .....			
15	1	1		9739-0831-22	Mutter .....	Nut .....			
16	1	1		9747-0831-02	Mutter .....	Lock nut.....			
18	1	1		9598-0002-02	Schließnadel .....	Pin lock .....			
20	1	1		1134-5353-01	Bremsstange .....	Brake rod .....			
21	1	1		1134-5566-01	Knopf.....	Knob .....			
22	1	1		1131-1497-01	Feder .....	Spring .....			
23	1	1		1134-4002-01	Halterung.....	Brake rod attachment.....			
24	3	3		9838-9516-12	Schraube .....	Screw .....			
25	1	1		1134-6353-01	Fahrpedal.....	Drive pedal.....			
26	2	2		1134-6313-01	Lager .....	Bearing.....			
27	2	2		1134-2700-01	Halter .....	Bracket.....			
28	2	2		9959-0820-16	Schraube .....	Screw.....			
29	2	2		9739-0831-22	Mutter .....	Nut .....			
30	1	1		9997-0860-16	Schraube .....	Screw.....			
31	2	2		9739-0831-22	Mutter .....	Nut .....			
34	1	1		1134-4440-01	Achse.....	Shaft .....			
35	1	1		1134-4793-01	Halteblech.....	Stop plate.....			
36	1	1		1134-4441-01	Gelenk .....	Link .....			
37	2	2		1134-0240-00	Ansatzbolzen .....	Shoulder screw.....			
38	2	2		9694-0001-00	Scheibe.....	Washer.....			
39	2	2		9747-0831-02	Mutter .....	Lock nut.....			
40	1	1		1134-5288-01	Regulierstange.....	Control rod.....			
41	2	2		9675-0012-02	Verriegelungsscheibe .....	Locking washer.....			
51	1	1		4231-0013-00	Feder .....	Spring .....			
52	1	1		1134-4779-01	Plastikbuchse .....	Plastic bushing .....			
53	1	1		1134-4972-01	Bremsgelenk.....	Brake link .....			
54	1	1		9747-0831-02	Mutter .....	Lock nut.....			
55	1	1		9997-0820-16	Schraube .....	Screw.....			



A

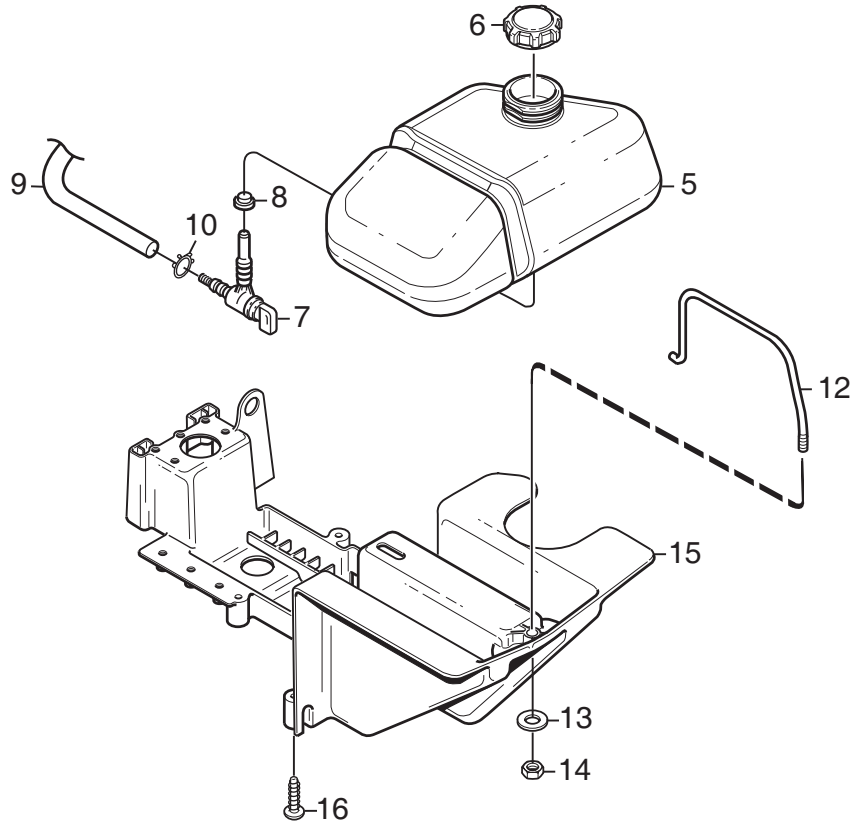
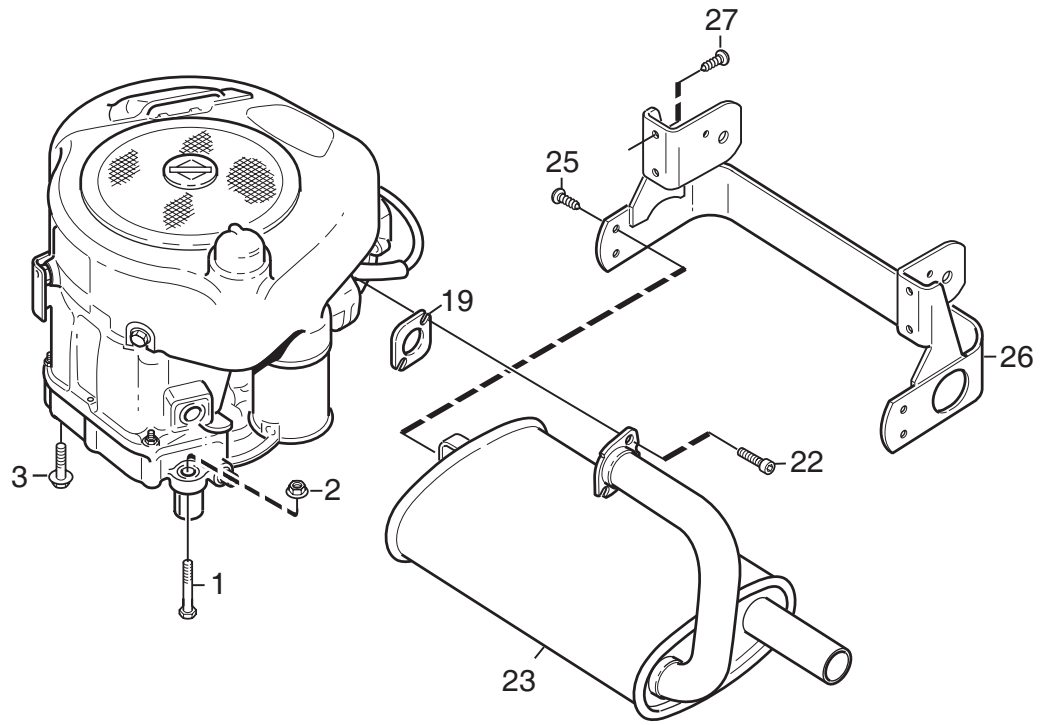


Ausgabe Issue 2010-31		Bild Nr Picture No C077C		XM 130 XM 140 HD- XM 160 HD EL. AUSSTATTUNG		XM 130 XM 140 HD- XM 160 HD ELECTRIC EQUIPMENT		Seite Page 48	
Pos. Fig.	Anzahl/Quantity				Artikel Nr. Part No	Bezeichnung	Description	Satz Kit	Anmerkung Notes
	2781 -90	2784 -90	2782 -90	2783 -90					
1			1	1	1134-4804-01	Batterie .....	Battery .....		18 Ah
1	1	1			1134-6677-01	Batterie .....	Battery .....		16 Ah
4			1	1	1134-4610-01	Schalthalterung .....	Switch bracket .....		
5			1	1	1134-3399-02	Schalter .....	Switch .....		
6			2	2	9852-8013-16	Schraube .....	Screw .....		
7			3	3	9579-0003-00	Kabelhalter.....	Cable holder .....		
8	1	1	1	1	1134-2042-02	Kabel- schwarz .....	Cable- black .....		L = 350 mm
9	1	1	1	1	9838-9516-12	Schraube .....	Screw .....		
10	1		1	1	9747-0831-02	Mutter .....	Lock nut .....		
11		1			9739-0631-22	Mutter .....	Nut .....		M6
11	1		1	1	9795-3531-02	Mutter .....	Nut .....		1/4" UNC
12	3	3	3	3	9579-0003-00	Kabelhalter.....	Cable holder .....		
13		1			9893-0616-16	Schraube .....	Screw .....		
14		1			9699-0060-02	Scheibe.....	Flat washer.....		
22	1	1	1	1	9699-0060-02	Scheibe.....	Flat washer.....		
26	1	1	1	1	1134-3901-01	Magnetschalter.....	Solenoid .....		
27	2	2	2	2	9794-5131-02	Mutter .....	Nut .....		
28	1	1	1	1	1134-0234-02	Batteriekabel ( + ) .....	Battery cable ( + ) .....		L = 395 mm
29	1	1	1	1	1134-2310-01	Schutzkappe .....	Guard cap .....		
30	1	1	1	1	1134-4702-02	Kabel- rot .....	Cable- red .....		L = 480 mm
32			1	1	1134-5767-01	Kabelbündel.....	Harness.....		
32	1	1			1134-7218-01	Kabelbündel.....	Harness.....		
32A	1	1	1	1	1134-3496-06	• Sicherung .....	• Fuse .....		20A

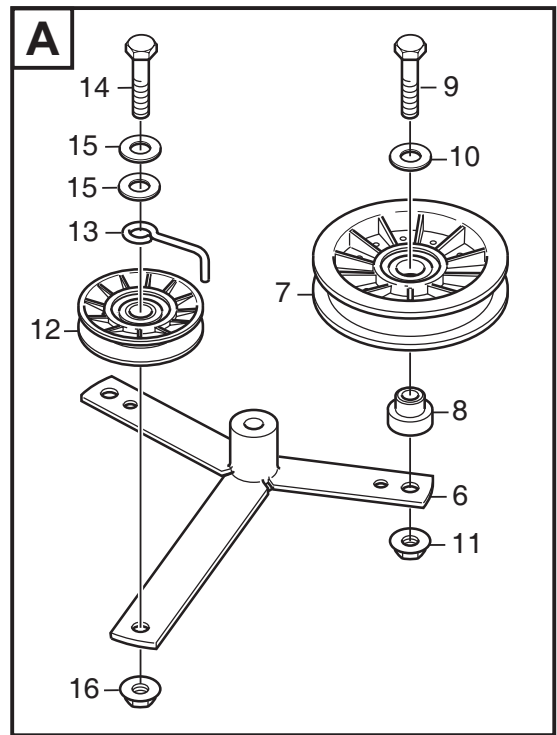
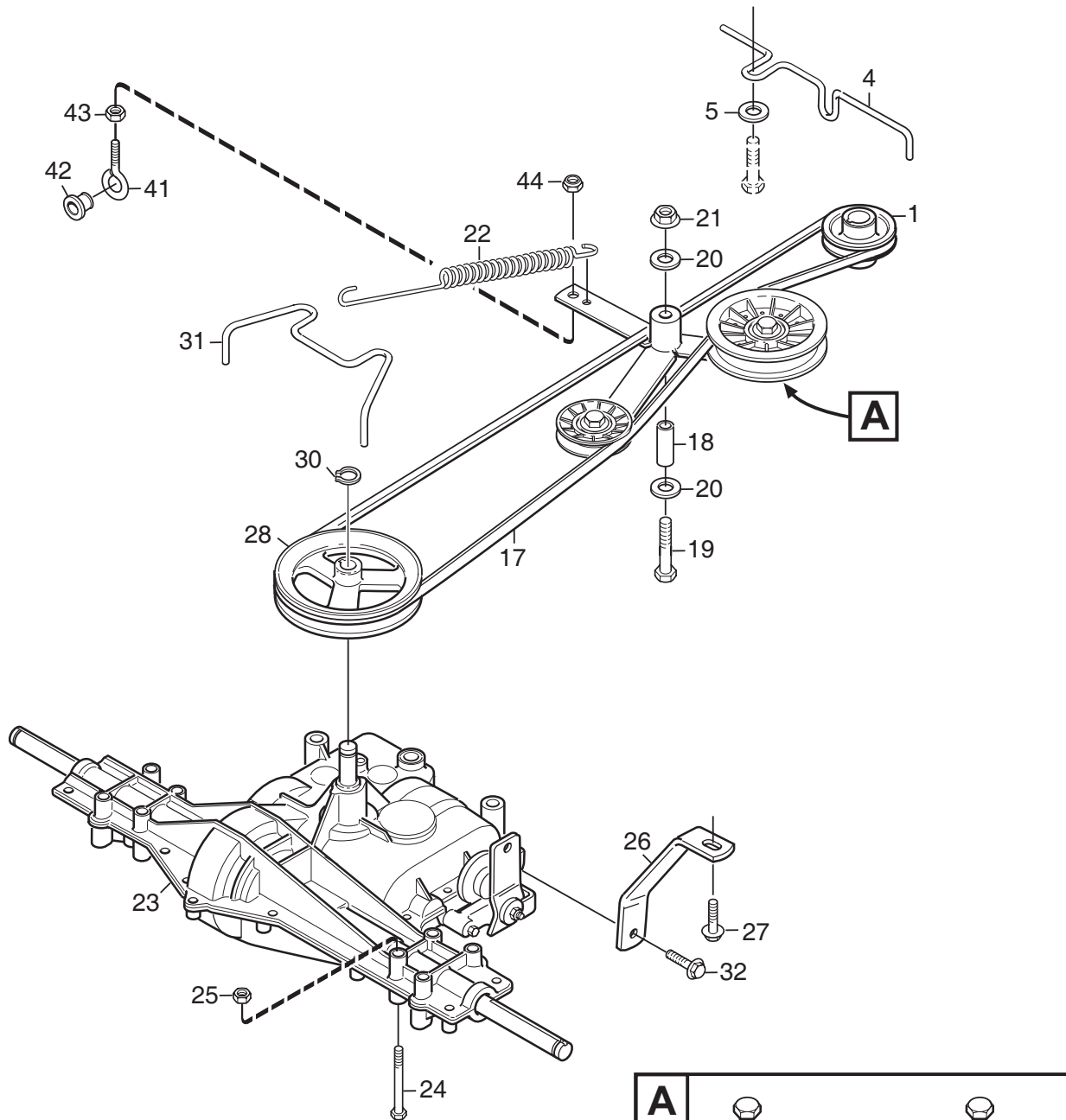




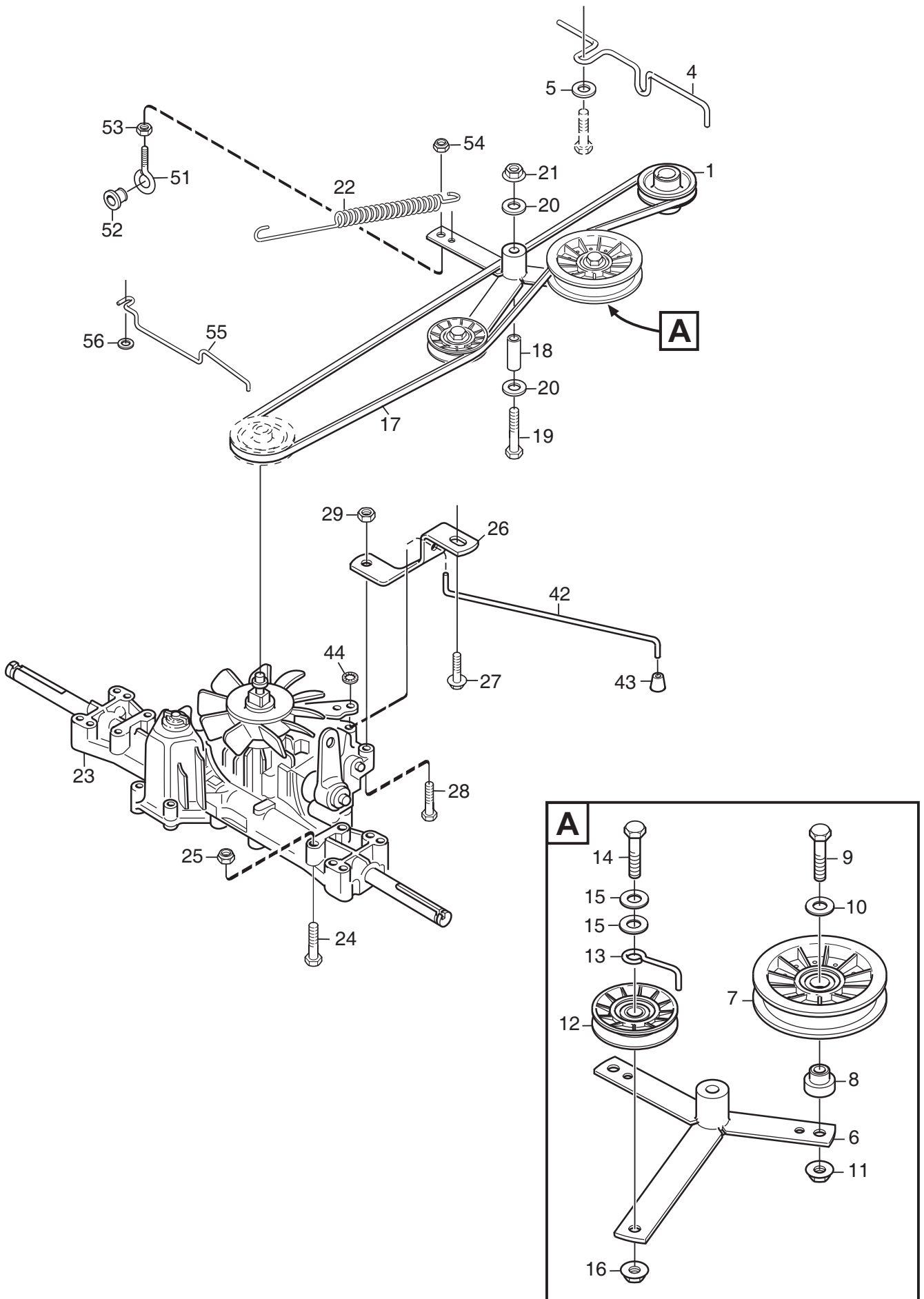




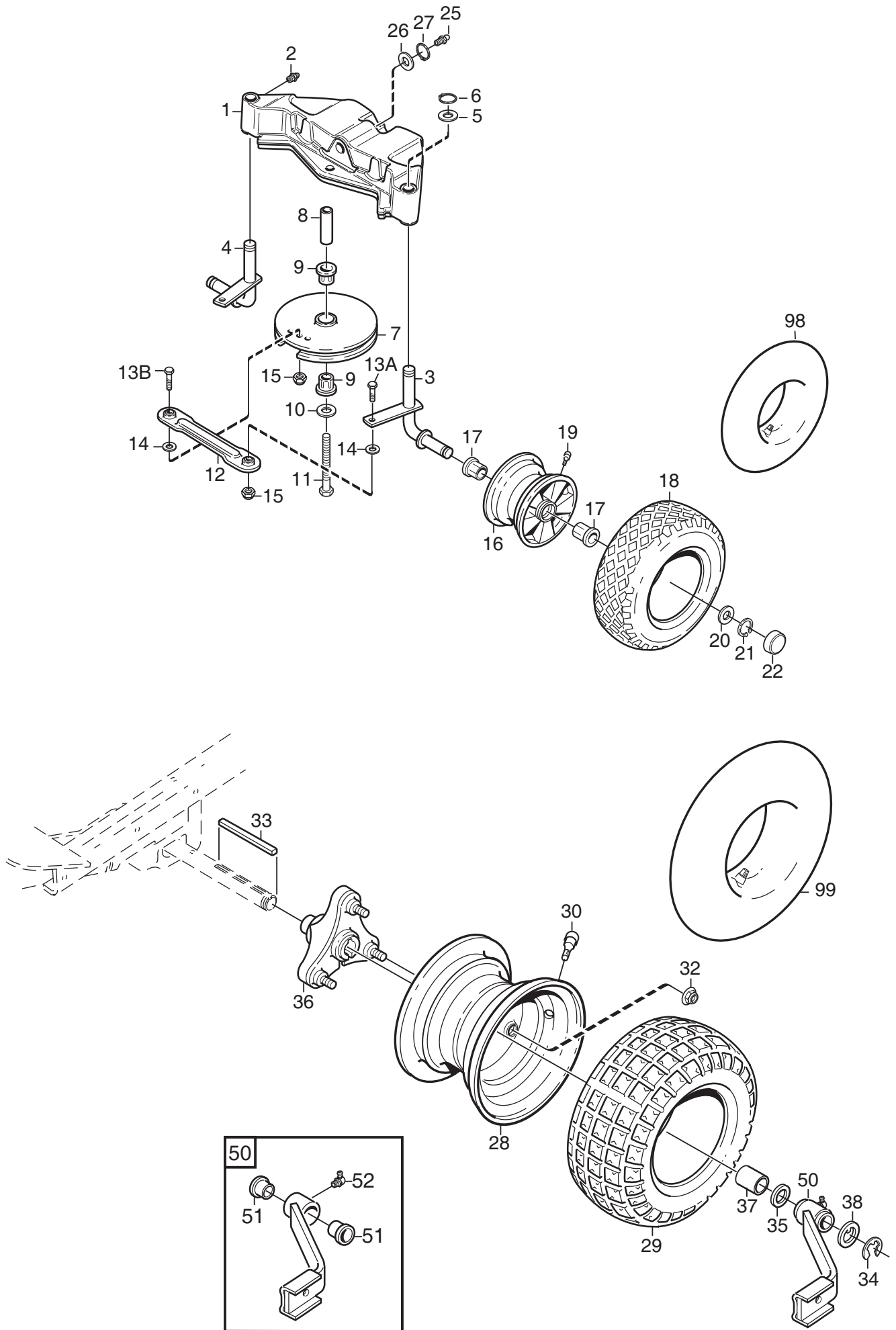
Ausgabe Issue 2010-31		Bild Nr Picture No 1651B		XM 130 XM 140 HD- XM 160 HD MOTOR (B&S)		XM 130 XM 140 HD- XM 160 HD ENGINE (B&S)		Seite Page 52	
Pos. Fig.	Anzahl/Quantity			Artikel Nr. Part No	Bezeichnung	Description	Satz Kit	Anmerkung Notes	
	2781 -90	2782 -90	2783 -90						
X	1	1	1	9997-0840-16	Schraube .....	Screw .....		M8 x 40	
	2	1	1	9747-0831-02	Mutter .....	Lock nut .....			
	3	3	3	9955-3725-16	Schraube .....	Screw .....		3/8" x 25	
	5	1	1	1134-6626-01	Benzintank .....	Fuel tank .....			
	6	1	1	1134-5532-01	Tankdeckel .....	Fuel tank cap .....			
	7	1	1	1134-3224-01	Benzinhahn .....	Fuel shut-off valve .....			
	8	1	1	1134-3225-01	Gummibuchse .....	Grommet .....			
	9	0,26	0,46	0,46	9505-0001-01	Benzinschlauch .....	Fuel line (metre) .....		Per Meter
	10	2	2	2	9578-0023-02	Schlauchklemme .....	Hose clamp .....		
	12	1	1	1	1134-4808-01	Tankbügel .....	Tank clamp .....		
	13	1	1	1	9699-0060-02	Scheibe .....	Flat washer .....		
	14	1	1	1	9747-0631-02	Mutter .....	Lock nut .....		
	15	1	1	1	1134-4807-02	Tank/Batterieregal .....	Tank/battery shelf .....		
	16	4	4	4	9829-8830-12	Schraube .....	Screw .....		
	19	1	1	1	1134-0433-00	Schalldämpferdichtung .....	Muffler gasket .....		
	22	2	2	2	1134-4930-01	Schraube .....	Screw .....		
	23			1	1134-7744-01	Schalldämpfer .....	Muffler .....		
	23	1	1		1134-7781-01	Schalldämpfer .....	Muffler .....		
	25	2	2	2	9893-0616-16	Schraube .....	Screw .....		
	26	1	1	1	1134-6699-01	Wärmeschutz .....	Heat guard .....		
	27	4	4	4	9893-0616-16	Schraube .....	Screw .....		



Ausgabe Issue 2010-31		Bild Nr Picture No 1643B		XM 130 TRANSMISSION		XM 130 TRANSMISSION		Seite Page 54	
Pos. Fig.	Anzahl/Quantity				Artikel Nr. Part No	Bezeichnung	Description	Satz Kit	Anmerkung Notes
	2781 -90	2784 -90							
1	1	1			1134-4611-01	Motorriemenscheibe.....	Engine belt pulley.....		
4	1	1			1134-6637-01	Riemenführung.....	Belt guide.....		
5	1	1			9699-0056-02	Scheibe.....	Flat washer.....		
6	1	1			1134-4519-01	Spannarm.....	Tension arm.....		
7	1	1			1134-3053-01	Spannrolle.....	Tension roller.....		
8	1	1			1134-4614-01	Ansatzdistanz.....	Shoulder spacer.....		
9	1	1			9997-1040-16	Schraube.....	Screw.....		
10	1	1			9699-0035-02	Scheibe.....	Flat washer.....		
11	1	1			9739-1031-22	Mutter.....	Nut.....		
12	1	1			1134-2989-02	Spannrolle- grau.....	Tension roller- grey.....		
13	1	1			1134-1795-01	Riemenbügel.....	Belt stirrup.....		
14	1	1			9997-1040-16	Schraube.....	Screw.....		
15	2	2			9699-0035-02	Scheibe.....	Flat washer.....		
16	1	1			9739-1031-22	Mutter.....	Nut.....		
17	1	1			9585-0124-01	Keilriemen.....	V- belt.....		
18	1	1			1134-1565-08	Distanz.....	Spacer.....		
19	1	1			9997-0870-16	Schraube.....	Screw.....		
20	2	2			9699-0056-02	Scheibe.....	Flat washer.....		
21	1	1			9739-0831-22	Mutter.....	Nut.....		
22	1	1			1134-5214-01	Feder.....	Spring.....		
23	1	1			1134-6338-01	Getriebe Kpl.....	Transaxle assy.....		
24	4	4			9960-0860-12	Schraube.....	Screw.....		Dana 6800-7
25	4	4			9747-0831-02	Mutter.....	Lock nut.....		
26	1	1			1134-4687-01	Strebe.....	Strut.....		
27	1	1			9945-0816-16	Schraube.....	Screw.....		
28	1	1			1134-1849-01	Riemenscheibe.....	Belt pulley.....		
30	1	1			9650-0016-04	Seegersicherung.....	Lock ring.....		
31	1	1			1134-4707-01	Riemenführung.....	Belt guide.....		
32	1	1			9942-0820-16	Schraube.....	Screw.....		
41	1	1			1134-2138-01	Schrauböse.....	Eye bolt.....		
42	1	1			1134-4779-01	Plastikbuchse.....	Plastic bushing.....		
43	1	1			9739-0831-22	Mutter.....	Nut.....		
44	1	1			9747-0831-02	Mutter.....	Lock nut.....		



Ausgabe Issue		Bild Nr Picture No		XM 140 HD- XM 160 HD TRANSMISSION		XM 140 HD- XM 160 HD TRANSMISSION		Seite Page	
2010-31		1157G						56	
Pos. Fig.	Anzahl/Quantity			Artikel Nr. Part No	Bezeichnung	Description	Satz Kit	Anmerkung Notes	
	2782 -90	2783 -90							
1	1	1		1134-4611-01	Motorriemenscheibe.....	Engine belt pulley.....			
4	1	1		1134-6637-01	Riemenführung.....	Belt guide.....			
5	1	1		9699-0056-02	Scheibe.....	Flat washer.....			
6	1	1		1134-4519-01	Spannarm.....	Tension arm.....			
7	1	1		1134-3053-01	Spannrolle.....	Tension roller.....			
8	1	1		1134-4614-01	Ansatzdistanz.....	Shoulder spacer.....			
9	1	1		9997-1040-16	Schraube.....	Screw.....			
10	1	1		9699-0035-02	Scheibe.....	Flat washer.....			
11	1	1		9739-1031-22	Mutter.....	Nut.....			
12	1	1		1134-2989-02	Spannrolle- grau.....	Tension roller- grey.....			
13	1	1		1134-1795-01	Riemenbügel.....	Belt stirrup.....			
14	1	1		9997-1040-16	Schraube.....	Screw.....			
15	2	2		9699-0035-02	Scheibe.....	Flat washer.....			
16	1	1		9739-1031-22	Mutter.....	Nut.....			
17	1	1		9585-0099-01	Keilriemen.....	V- belt.....			
18	1	1		1134-1565-08	Distanz.....	Spacer.....			
19	1	1		9997-0870-16	Schraube.....	Screw.....			
20	2	2		9699-0056-02	Scheibe.....	Flat washer.....			
21	1	1		9739-0831-22	Mutter.....	Nut.....			
22	1	1		1134-5214-01	Feder.....	Spring.....			
23	1	1		1134-7766-01	Getriebe kpl.....	Transaxle assy.....			
24	4	4		9960-0860-12	Schraube.....	Screw.....		Kanzaki K46CJ	
25	4	4		9747-0831-02	Mutter.....	Lock nut.....			
26	1	1		1134-6290-01	Strebe.....	Strut.....			
27	1	1		9945-0816-16	Schraube.....	Screw.....			
28	1	1		9997-0840-16	Schraube.....	Screw.....			
29	1	1		9747-0831-02	Mutter.....	Lock nut.....			
42	1	1		1134-5156-01	Zugstange.....	Pull rod.....			
43	1	1		1134-4014-01	Plastikknopf.....	Plastic button.....			
44	1	1		9675-0009-02	Verriegelungsscheibe.....	Starlock.....			
51	1	1		1134-2138-01	Schrauböse.....	Eye bolt.....			
52	1	1		1134-4779-01	Plastikbuchse.....	Plastic bushing.....			
53	1	1		9739-0831-22	Mutter.....	Nut.....			
54	1	1		9747-0831-02	Mutter.....	Lock nut.....			
55	1	1		1134-5319-01	Riemenführung.....	Belt guide.....			
56	1	1		9699-0056-02	Scheibe.....	Flat washer.....			

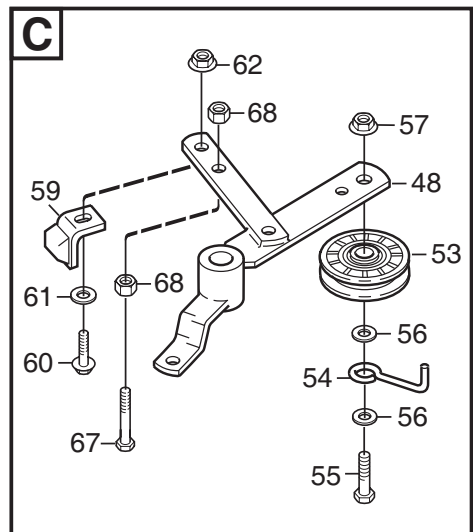
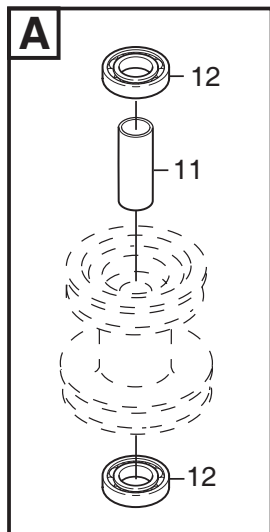
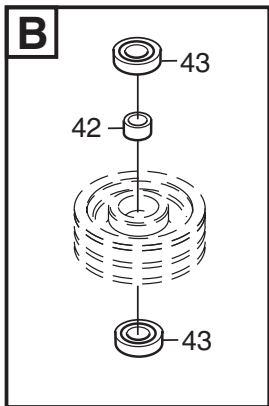
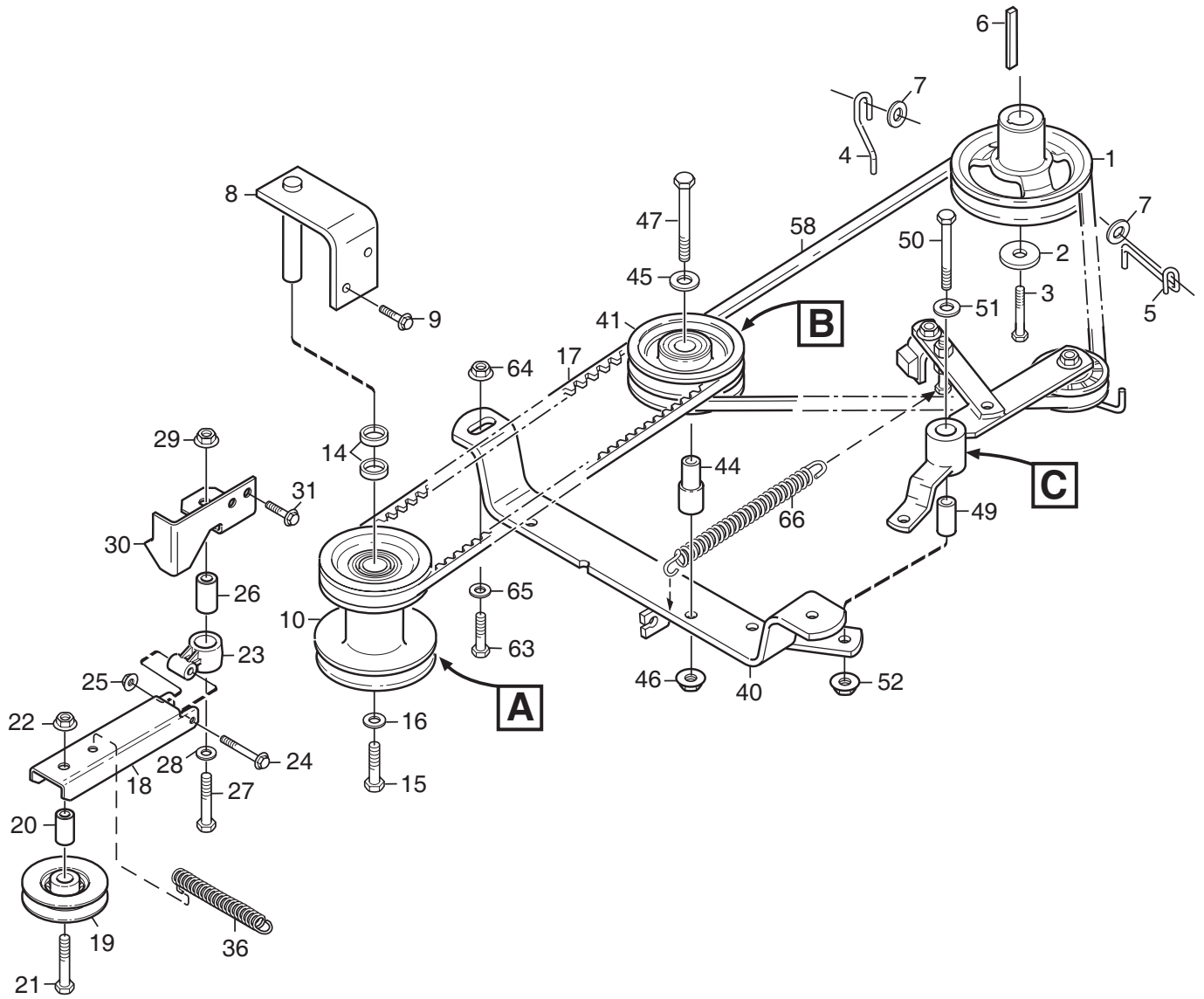


C081B



Ausgabe Issue 2010-31		Bild Nr Picture No C081B		XM 130 XM 140 HD- XM 160 HD RÄDER		XM 130 XM 140 HD- XM 160 HD WHEELS		Seite Page 58	
Pos. Fig.	Anzahl/Quantity				Artikel Nr. Part No	Bezeichnung	Description	Satz Kit	Anmerkung Notes
	2781 -90	2784 -90	2782 -90	2783 -90					
1	1	1	1	1	1134-6703-01	Hinterachse .....	Rear axle.....		
2	2	2	2	2	9501-0500-00	Schmiernippel .....	Grease joint.....		
3	1	1	1	1	1134-5009-02	Spindel- L .....	Spindle- LH .....		
4	1	1	1	1	1134-5009-01	Spindel- R .....	Spindle- RH .....		
5	2	2	2	2	9699-0088-02	Scheibe.....	Flat washer.....		
6	2	2	2	2	9650-0020-04	Seegersicherung.....	Circlip.....		
7	1	1	1	1	1137-0090-01	Lenkdrahtscheibe .....	Steering pulley .....		
8	1	1	1	1	1134-5575-01	Distanz.....	Spacer.....		
9	2	2	2	2	1134-0068-00	Lager .....	Bearing.....		
10	1	1	1	1	9699-0104-02	Scheibe.....	Washer.....		
11	1	1	1	1	9997-1680-12	Schraube .....	Screw.....		
12	2	2	2	2	1134-3247-05	Spurstange .....	Tie rod.....		
13A	2	2	2	2	9997-0825-16	Schraube .....	Screw.....		L = 25 mm
13B	1	1	1	1	9997-0835-12	Schraube .....	Screw.....		L = 35 mm
14	2	2	2	2	9699-0090-02	Scheibe.....	Flat washer.....		
15	3	3	3	3	9747-0831-02	Mutter.....	Lock nut.....		
16	2	2	2	2	1134-4706-01	Felge .....	Rim .....		
17	4	4	4	4	1134-1319-01	Lagerbuchse.....	Bearing bush.....		
18	2	2	2	2	9545-0117-00	Reifen .....	Tyre .....		13 x 5.00 - 6
19	2	2	2	2	9545-0500-00	Ventil .....	Valve .....		
20	2	2	2	2	1134-0341-01	Scheibe.....	Washer.....		
21	2	2	2	2	9650-0020-04	Seegersicherung.....	Circlip.....		
22	2	2	2	2	1134-4344-01	Nabekapsel .....	Hub cap.....		
25	1	1	1	1	9501-0500-00	Schmiernippel .....	Grease joint.....		
26	1	1	1	1	9699-0088-02	Scheibe.....	Flat washer.....		
27	1	1	1	1	9650-0020-04	Seegersicherung.....	Circlip.....		
28	2	2	2	2	1134-5255-01	Felge .....	Rim .....		
29	2	2	2	2	9545-0126-01	Reifen .....	Tyre .....		16 x 6.00 - 8
30	2	2	2	2	9545-0500-00	Ventil .....	Valve .....		
32	6	6	6	6	9731-1031-22	Mutter.....	Nut .....		
33	2	2	2	2	1134-2471-03	Keil .....	Key.....		
34	2	2	2	2	9653-0001-04	Schließring .....	Lock ring.....		
35	2	2	2	2	1134-0341-01	Scheibe.....	Washer.....		
36	2	2	2	2	1134-4844-02	Radnabe .....	Wheel hub.....		
37	2	2	2	2	1134-4845-02	Nabenhülse.....	Hub sleeve .....		
38	2	2	2	2	1134-4981-01	Scheibe.....	Washer.....		
50	2	2	2	2	1134-6274-01	Geräthalter kpl .....	Attachment assy .....		
51	2	2	2	2	1134-1319-01	• Lagerbuchse.....	• Bearing bush.....		
52	1	1	1	1	9501-0502-00	• Schmiernippel.....	• Grease joint.....		
98					9545-0204-00	Innenschlauch .....	Inner tube .....		Only as spare part
99					9545-0203-00	Innenschlauch .....	Inner tube .....		Only as spare part

X



Ausgabe Issue 2010-31		Bild Nr Picture No C082D		XM 130 XM 140 HD- XM 160 HD NEBENANTRIEB		XM 130 XM 140 HD- XM 160 HD POWER TAKE OFF		Seite Page 60	
Pos. Fig.	Anzahl/Quantity				Artikel Nr. Part No	Bezeichnung	Description	Satz Kit	Anmerkung Notes
	2781 -90	2784 -90	2782 -90	2783 -90					
1	1	1	1	1	1134-5046-01	Motorriemenscheibe.....	Engine belt pulley.....		L = 2 1/2"
2	1	1	1	1	1134-5017-01	Scheibe.....	Washer.....		
3	1	1	1	1	9987-5332-16	Schraube.....	Screw.....		
4	1	1	1	1	1134-5058-01	Riemenführung.....	Belt guide.....		
5	1	1	1	1	1134-5057-01	Riemenführung.....	Belt guide.....		
6	1	1	1	1	9600-0251-01	Keil.....	Key.....		
7	2	2	2	2	9699-0056-02	Scheibe.....	Flat washer.....		
8	1	1	1	1	1134-4650-01	Riemenscheibebügel.....	Pulley bracket.....		
9	2	2	2	2	9945-0816-16	Schraube.....	Screw.....		
10	1	1	1	1	1134-4643-01	Zwischenriemenscheibe.....	Intermediate pulley.....		
11	1	1	1	1	1134-0051-12	• Distanz.....	• Spacer.....		
12	2	2	2	2	9549-0019-00	• Kugellager.....	• Ball bearing.....		
14	2	2	2	2	1134-0052-00	Lagerdistanz.....	Bearing spacer.....		
15	1	1	1	1	9997-1040-16	Schraube.....	Screw.....		
16	1	1	1	1	9699-0035-02	Scheibe.....	Flat washer.....		
17	1	1	1	1	9585-0139-01	Keilriemen.....	V-belt.....		
18	1	1	1	1	1134-5231-01	Spannarm.....	Tension arm.....		
19	1	1	1	1	1134-6329-01	Spannrolle.....	Tension roller.....		
20	1	1	1	1	1134-4619-01	Distanz.....	Spacer.....		
21	1	1	1	1	9997-1060-12	Schraube.....	Screw.....		
22	1	1	1	1	9731-1031-22	Mutter.....	Nut.....		
23	1	1	1	1	1134-6314-01	Halterung.....	Attachment.....		
24	1	1	1	1	9997-0640-12	Schraube.....	Screw.....		
25	1	1	1	1	9747-0631-02	Mutter.....	Lock nut.....		
26	1	1	1	1	1134-4619-01	Distanz.....	Spacer.....		
27	1	1	1	1	9930-1050-12	Schraube.....	Screw.....		
28	1	1	1	1	9699-0035-02	Scheibe.....	Flat washer.....		
29	1	1	1	1	9731-1031-22	Mutter.....	Nut.....		
30	1	1	1	1	1134-4708-02	Halterung.....	Bracket.....		
31	2	2	2	2	9945-0816-16	Schraube.....	Screw.....		
36	1	1	1	1	1131-1507-00	Feder.....	Spring.....		
40	1	1	1	1	1134-5037-01	Bügel.....	Bracket.....		
41	1	1	1	1	1134-1769-03	Riemenscheibe Kpl.....	Centre pulley assy.....		
42	1	1	1	1	1134-0051-09	• Distanz.....	• Spacer.....		
43	2	2	2	2	9549-0019-00	• Kugellager.....	• Ball bearing.....		
44	1	1	1	1	1134-1839-02	Achse.....	Shaft.....		
45	1	1	1	1	9699-0035-02	Scheibe.....	Flat washer.....		
46	1	1	1	1	9739-1031-22	Mutter.....	Nut.....		
47	1	1	1	1	9997-1070-12	Schraube.....	Screw.....		
48	1	1	1	1	1134-5541-01	Kupplungsarm.....	Clutch lever.....		
49	1	1	1	1	1134-1565-10	Distanz.....	Spacer.....		
50	1	1	1	1	9997-0860-16	Schraube.....	Screw.....		
51	1	1	1	1	9699-0056-02	Scheibe.....	Flat washer.....		
52	1	1	1	1	9739-0831-22	Mutter.....	Nut.....		
53	1	1	1	1	1134-2989-02	Spannrolle- grau.....	Tension roller- grey.....		
54	1	1	1	1	1134-1795-01	Riemenbügel.....	Belt stirrup.....		
55	1	1	1	1	9997-1040-16	Schraube.....	Screw.....		
56	2	2	2	2	9699-0035-02	Scheibe.....	Flat washer.....		
57	1	1	1	1	9739-1031-22	Mutter.....	Nut.....		
58	1	1	1	1	9585-0204-01	Keilriemen.....	V-belt.....		
59	1	1	1	1	1134-4164-03	Bremsklotz.....	Brake pad.....		
60	1	1	1	1	9959-0820-16	Schraube.....	Screw.....		
61	1	1	1	1	9699-0090-02	Scheibe.....	Flat washer.....		
62	1	1	1	1	9747-0831-02	Mutter.....	Lock nut.....		
63	2	2	2	2	9959-0820-16	Schraube.....	Screw.....		
64	2	2	2	2	9739-0831-22	Mutter.....	Nut.....		
65	1	1	1	1	9699-0056-02	Scheibe.....	Flat washer.....		
66	1	1	1	1	1131-1506-00	Feder.....	Spring.....		
67	1	1	1	1	9997-0860-16	Schraube.....	Screw.....		
68	2	2	2	2	9739-0831-22	Mutter.....	Nut.....		

X