



*Green Passion*

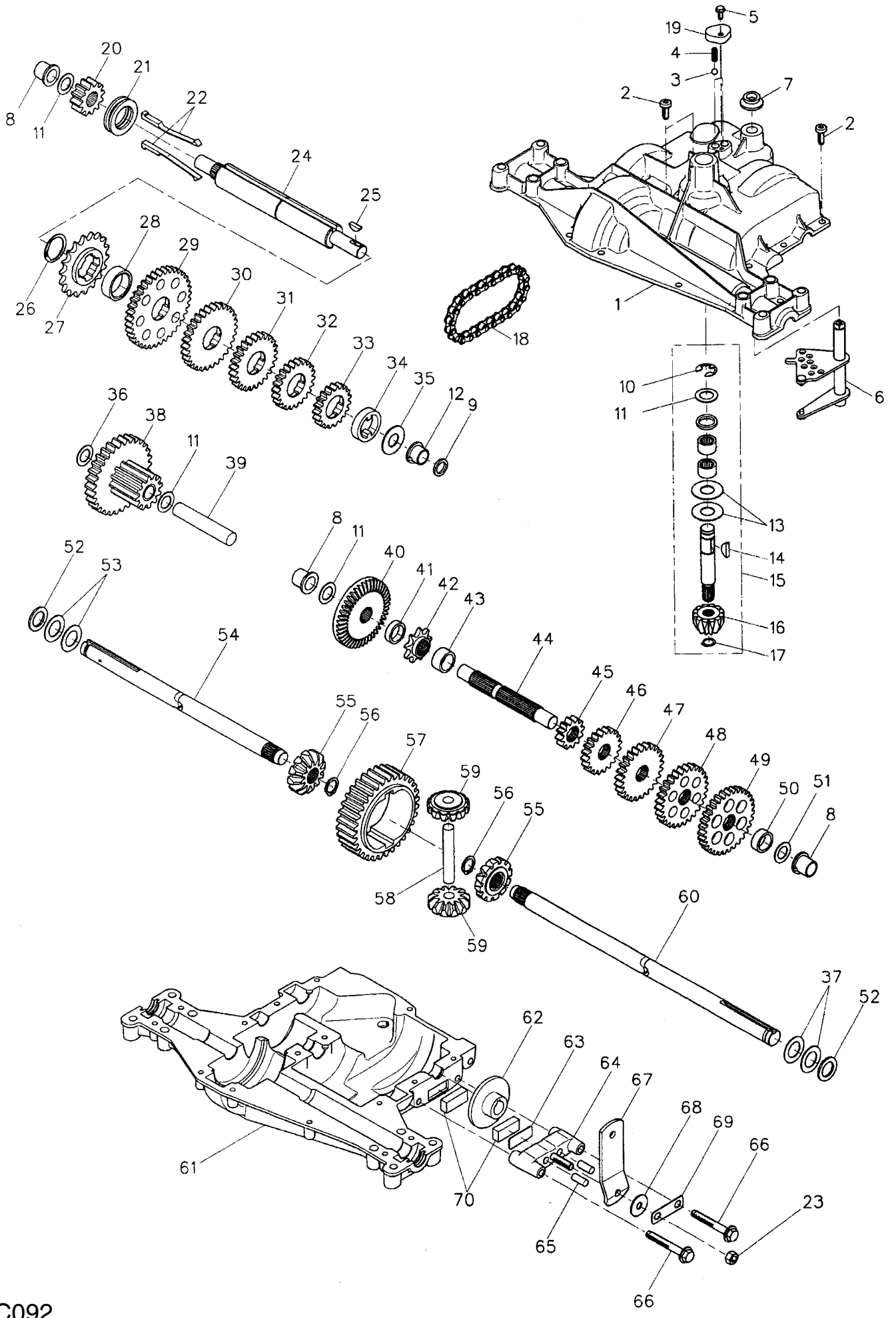
# Illustrated Parts List

**Transmissions Dana-Kanzaki  
Model Year 2006**

- Use GLOBAL GARDEN PRODUCT Genuine Spare Parts specified in the parts list for repair and/or replacement.
- The contents described in the parts list may change due to improvement.
- The drawings of the spare parts are only indicative and might not represent the part in question exactly.
- The indications "right" - "left" - "front" - "rear" refer to the position of the operator when using the machine.
- When placing orders of parts for repair and/or replacement, make sure that the illustrated parts list is the one applying to the machine's year of manufacture, as shown on the identification plate attached to the machine.

COPYRIGHT by GLOBAL GARDEN PRODUCTS

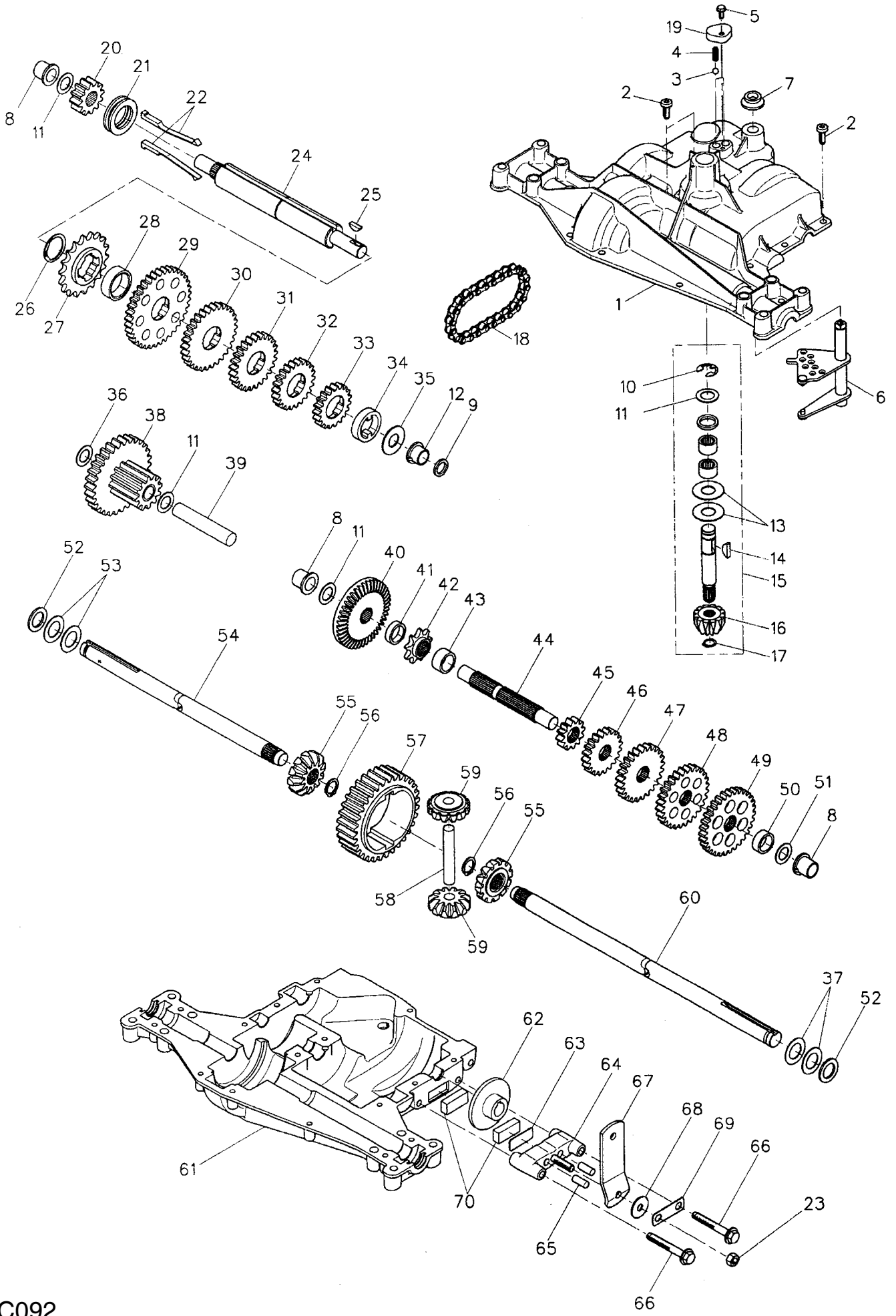
All rights reserved. No part of this material may be reproduced or transmitted, in any form or by any means, electronic or mechanical, including photocopying, recording or by any information storage and retrieval system, without permission in writing from GLOBAL GARDEN PRODUCTS.



C092



Ausgabe Issue 2006-3		Bild Nr Picture No C092		DANA GETRIEBE 4360-197		DANA TRANSAXLE 4360-197		Seite Page 62	
Pos. Fig.	Anzahl/Quantity				Artikel Nr. Part No	Bezeichnung	Description	Satz Kit	Anmerkung Notes
	4360 -197								
0	1			1134-5281-01	Getriebe Kpl.....	Transaxle assy.....			
1	1			F000-7033-00	Gehäuse- obere.....	Housing- upper .....			
2	16			F000-1919-00	Schraube .....	Screw .....			
3	2			F000-5947-00	Kugel .....	Ball .....			
4	2			F000-5948-00	Feder .....	Spring .....			
5	1			F084-0052-00	Schraube .....	Screw .....			
6	1			F000-6517-00	Shalthebel.....	Shifter kit .....			
7	1			F000-7010-00	Hülse .....	V- ring .....			
8	3			F000-5510-00	Flanschlager .....	Flange bearing.....			
9	1			F000-5508-00	Dichtring.....	Oil seal .....			
10	1			F000-1106-00	Schließring .....	Retaining ring .....			
11	4			F000-4689-00	Satz- Scheiben .....	Kit- shim.....			
12	1			F000-5511-00	Flanschlager .....	Flange bearing.....			
13	2			F000-3876-00	Scheibe.....	Washer.....			
14	1			F000-1746-00	Keil .....	Key .....			
15	1			F000-6205-00	Eingangswelle kpl.....	Input shaft assy .....			
16	1			F000-5620-00	Ritzel .....	Bevel pinion .....		12T	
17	1			F000-3624-00	Schließring .....	Retaining ring .....			
18	1			F000-3625-00	Kette .....	Chain.....		24 link	
19	1			F000-5950-00	Deckel.....	Cover .....			
20	1			F000-5627-00	Zahnrad .....	Gear .....		12T	
21	1			F000-5303-00	Hülse .....	Shifter boot.....			
22	1			F000-4758-00	Satz- Keil.....	Kit- clutch keys.....			
23	1			F000-3847-00	Gegenmutter.....	Lock nut.....			
24	1			F000-5737-00	Achse.....	Intermediate shaft .....			
25	1			F000-1375-00	Schalteisen .....	Woodruff key .....			
26	1			F000-3627-00	Schließring .....	Retaining ring .....			
27	1			F000-3830-00	Kettenrad .....	Sprocket.....		18T	
28	1			F000-3841-00	Distanz.....	Spacer.....			
29	1			F000-5365-00	Zahnrad .....	Gear, spur .....		37T	
30	1			F000-3867-00	Zahnrad .....	Gear, spur .....		30T	
31	1			F000-3783-00	Zahnrad .....	Gear, spur .....		25T	
32	1			F000-3869-00	Zahnrad .....	Gear, spur .....		22T	
33	1			F000-5202-00	Zahnrad .....	Gear, spur .....		19T	
34	1			F000-5027-00	Distanz.....	Spacer.....			
35	1			F000-3628-00	Scheibe.....	Washer.....			
36	1			F000-1425-00	Scheibe.....	Washer.....			
37	1			F000-4691-00	Satz- Scheiben .....	Kit- shim.....			
38	1			F000-6358-00	Zahnrad .....	Gear comb. ....		12T+30T	
39	1			F000-3967-00	Achse.....	Idler shaft.....			
40	1			F000-7003-00	Zahnrad .....	Bevel gear .....		36T	
41	1			F000-3630-00	Distanz.....	Spacer.....			
42	1			F000-3645-00	Kettenrad .....	Sprocket.....		9T	
43	1			F000-5016-00	Distanz.....	Spacer.....			
44	1			F000-5015-00	Achse.....	Drive shaft.....			
45	1			F000-5364-00	Zahnrad .....	Gear, spur .....		12T	
46	1			F000-3866-00	Zahnrad .....	Gear, spur .....		20T	
47	1			F000-3719-00	Zahnrad .....	Gear, spur .....		25T	
48	1			F000-3868-00	Zahnrad .....	Gear, spur .....		28T	
49	1			F000-3683-00	Zahnrad .....	Gear, spur .....		31T	
50	1			F000-3714-00	Distanz.....	Spacer.....			
51	1			F000-1145-00	Scheibe.....	Washer.....			
52	2			F000-5130-00	Dichtung.....	Seal .....			
53	2			F000-3184-00	Scheibe.....	Washer.....			
54	1			F000-7031-10	Radachse- links .....	Wheel axle- LH .....			
55	2			F000-5622-00	Zahnrad .....	Miter gear .....		12T	
56	2			F000-5270-00	Schließring .....	Retaining ring .....			
57	1			F000-3839-00	Zahnrad .....	Gear, spur .....		32T	
58	1			F000-3919-00	Achse.....	Cross shaft.....			
59	2			F000-5623-00	Zahnrad .....	Miter gear .....		12T	
60	1			F000-7031-20	Radachse- rechts .....	Wheel axle- RH .....			
61	1			F000-5304-M0	Gehäuse- untere.....	Housing- lower .....			
62	1			F000-5960-00	Bremsscheibe.....	Brake disc .....			

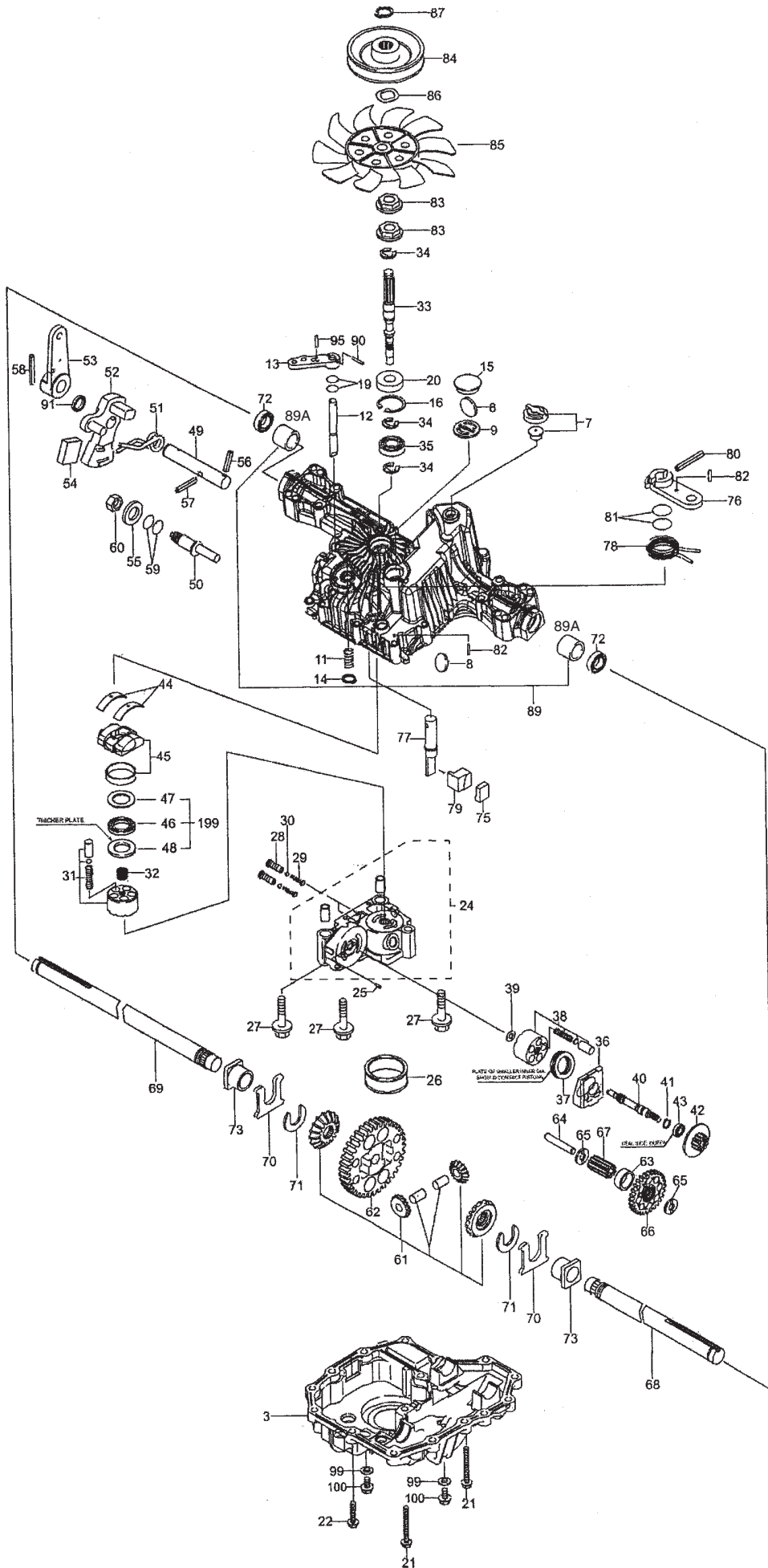


C092



Ausgabe Issue 2006-3		Bild Nr Picture No C092		DANA GETRIEBE 4360-197		DANA TRANSAXLE 4360-197		Seite Page 64	
Pos. Fig.	Anzahl/Quantity				Artikel Nr. Part No	Bezeichnung	Description	Satz Kit	Anmerkung Notes
	4360 -197								
63	1				F000-3758-00	Distanz.....	Spacer.....		Not ill.
64	1				F000-5554-00	Bremshalter .....	Brake jaw .....		
65	2				F000-3843-00	Sperrstift .....	Dowel pin .....		
66	2				F000-5562-00	Schraube .....	Screw.....		
67	1				F000-7032-00	Bremsarm.....	Actuating lever .....		
68	1				F000-3760-00	Scheibe.....	Washer.....		
69	1				F000-5555-00	Scheibe.....	Bracket.....		
70	2				F000-3907-00	Frikitionsbelage .....	Friction puck .....		
98					F000-4300-00	Schmierfett.....	Grease.....		

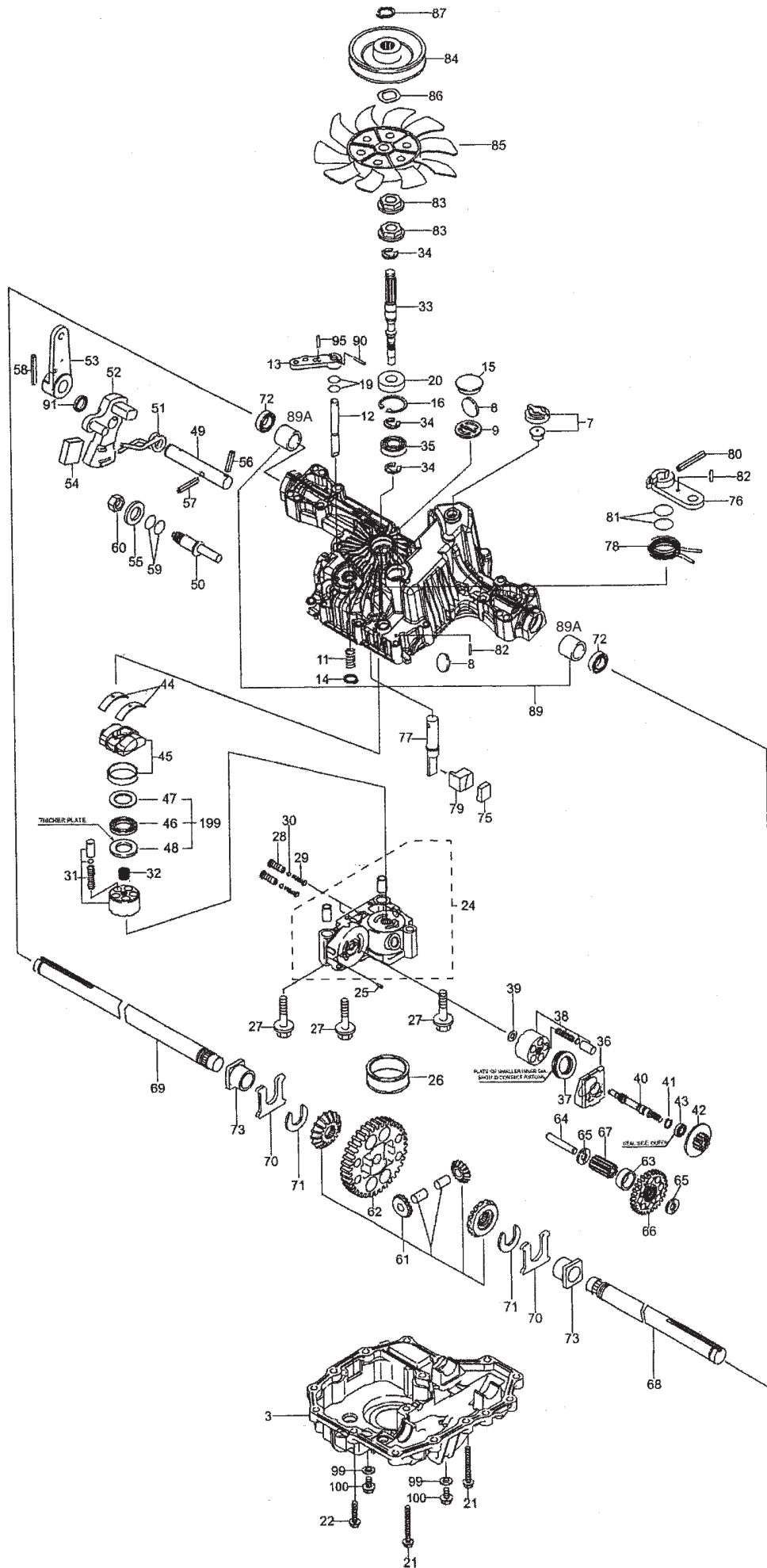
200 - Seal Kit



C093A



Ausgabe Issue 2006-3		Bild Nr Picture No C093A		KANZAKI GETRIEBE K46AG		KANZAKI TRANSAXLE K46AG		Seite Page 66	
Pos. Fig.	Anzahl/Quantity				Artikel Nr. Part No	Bezeichnung	Description	Satz Kit	Anmerkung Notes
	K46 AG								
3	1			1139-1402-01	Gehäuse- untere.....	Case- lower .....			
7	1			1139-1100-01	Ventil kpl.....	Vent valve assy .....			
8	2			1139-1150-01	Magnet .....	Magnet .....	S		
9	1			1139-1341-01	Halter- Magnet.....	Holder- magnet .....			
11	1			1139-1347-01	Feder .....	Spring .....			
12	1			1139-1324-01	Welle- bypass .....	Shaft- bypass .....			
13	1			1139-1189-01	Hebel- bypass .....	Lever- bypass .....			
14	1			1139-1161-01	Schließring .....	Ring .....			
15	1			1139-1275-01	Propfen.....	Bore plug .....			
16	1			1139-1104-01	Schließring .....	Snap ring .....			
19	2			1139-1117-01	O- ring .....	O- ring .....	S		
20	1			1139-1119-01	Dichtung.....	Seal .....	S		
21	2			1139-1295-01	Schraube .....	Tapping screw .....			
22	14			1139-0244-01	Schraube .....	Tapping screw .....			
24	1			1139-1340-01	Zentrumgehäuse kpl.....	Center case assy .....			
25	1			1139-1158-01	Stift.....	Pin .....			
26	1			1139-1334-01	Filter .....	Filter .....	S		
27	3			1139-1294-01	Bolzen.....	Bolt .....			
28	2			1139-1339-01	Wentil .....	Valve .....			
29	2			1139-1338-01	Feder .....	Spring .....			
30	2			1139-1346-01	Kugel .....	Ball .....			
31	1			1139-1356-01	Zylinderblock kpl .....	Cylinder block assy .....			
32	1			1139-1245-01	Feder .....	Spring .....			
33	1			1139-1246-01	Pumpenwelle.....	Pump shaft .....			
34	3			1139-1146-01	Schließring .....	Ring .....			
35	1			1139-1110-01	Kugellager .....	Ball bearing .....			
36	1			1139-1157-01	Gehäuse.....	Housing .....			
37	1			1139-1054-01	Lager .....	Bearing .....			
38	1			1139-1139-01	Zylinderblock Kpl.....	Cylinder block assy .....			
39	1			1139-1160-01	Scheibe.....	Washer .....			
40	1			1139-1353-01	Motorachse .....	Motor shaft .....			
41	1			1139-1021-01	Schließring .....	Snap ring .....			
42	1			1139-1272-01	Motorzahnrad .....	Motor gear .....			
43	1			1139-1286-01	Kugellager .....	Ball bearing .....			
44	2			1139-1066-01	Druckplatte .....	Metal thrust.....			
45	1			1139-1067-01	Spritzplatte kpl.....	Swash plate assy .....		s/n - 013937	
45	1			1139-1359-01	Spritzplatte kpl.....	Swash plate assy .....		s/n 013938-	
49	1			1139-1315-01	Kontrollwelle.....	Control shaft .....		s/n 004000- 006773	
49	1			1139-1354-01	Regulierachse.....	Control shaft .....		s/n 006774-	
50	1			1139-1190-01	Drehzentrum.....	Fulcrum .....		s/n - 003999	
50	1			1139-1316-01	Drehzentrum.....	Fulcrum.....		s/n 004000-	
51	1			1139-1312-01	Feder .....	Spring .....			
52	1			1139-1314-01	Kontrollhebel .....	Control arm .....			
53	1			1139-1325-01	Kontrollhebel .....	Control lever .....			
54	1			1139-1250-01	Rückplatte .....	Jerky plate.....			
55	1			1139-1102-01	Scheibe.....	Washer .....			
56	1			1139-1327-01	Stift.....	Pin .....		s/n 004000- 006773	
56	1			1139-1355-01	Splint .....	Cotter pin .....		s/n 006774-	
57	1			1139-1329-01	Stift.....	Pin .....			
58	1			1139-1285-01	Stift.....	Pin .....			
59	2			1139-1115-01	O- ring .....	O- ring .....	S		
60	1			1139-1127-01	Mutter .....	Nut .....			
61	1			1139-1360-01	Differentialritzel kp.....	Differential gear kit.....			
62	1			1139-1258-01	Enderitzel.....	Final gear .....			
63	1			1139-1255-01	Hülse .....	Collar .....			
64	1			1139-1256-01	Reduktionsachse .....	Reduction shaft.....			
65	2			1139-1257-01	Scheibe.....	Washer .....		s/n - 0013064	
65	2			1139-1398-01	Scheibe.....	Washer .....		s/n 0013065-	
66	1			1139-1267-01	Reduktionsritzel.....	Reduction gear.....			
67	1			1139-1259-01	Enderitzel.....	Final pinion .....		s/n - 013064	
67	1			1139-1361-01	Enderitzel.....	Final pinion .....		s/n 013065-	
68	1			1139-1269-01	Radachse- links .....	Axle shaft- left .....		s/n 000001- 003999	
68	1			1139-1342-01	Radachse- links .....	Axle shaft- left .....		s/n 004000-	







Ausgabe Issue 2006-3		Bild Nr Picture No C093A		KANZAKI GETRIEBE K46AG		KANZAKI TRANSAXLE K46AG		Seite Page 68	
Pos. Fig.	Anzahl/Quantity				Artikel Nr. Part No	Bezeichnung	Description	Satz Kit	Anmerkung Notes
	K46 AG								
69	1				1139-1270-01	Radachse- rechts .....	Axle shaft- right.....		s/n 000001- 003999
69	1				1139-1343-01	Radachse- rechts .....	Axle shaft- right.....		s/n 004000-
70	2				1139-1078-01	Druckscheibe.....	Thrust washer .....		
71	2				1139-1163-01	Schließring .....	Ring .....		
72	2				1139-1080-01	Dichtring.....	Seal .....	S	
73	2				1139-1164-01	Buchse.....	Bushing.....		
75	1				1139-1260-01	Bremsschuhe.....	Brake shoe .....		
76	1				1139-1261-01	Bremshebel .....	Brake arm .....		
77	1				1139-1320-01	Bremsachse.....	Brake shaft.....		
78	1				1139-1263-01	Feder .....	Return spring .....		
79	1				1139-1264-01	Bremsdrucker.....	Brake actuator.....		
80	1				1139-1282-01	Stift.....	Pin .....		
81	2				1139-1114-01	O- ring .....	O- ring .....	S	
82	2				1139-1281-01	Stift.....	Pin .....		
83	2				1139-1248-01	Hülse .....	Spline collar .....		
84	1				1139-1309-01	Riemenscheibe .....	Pulley .....		
85	1				1134-4190-01	Gebläse.....	Fan .....		
86	1				1139-1266-01	Schloßscheibe .....	Lock washer .....		
87	1				1139-1149-01	Schließring .....	Snap ring .....		
89	1				1139-1351-01	Obere Gehäuse .....	Upper housing .....		Pos 89A incl.
89A	2				1139-1414-01	• Buchse.....	• Bushing.....		
90	1				1139-1280-01	Stift.....	Pin .....		
91	1				1139-1303-01	Dichtring.....	Oil seal .....	S	
95	1				1139-1279-01	Stift.....	Pin .....		
99	2				1139-1103-01	Dichtungsscheibe.....	Seal washer.....	S	
100	2				1139-1123-01	Bolzen.....	Bolt .....		
199	1				1139-1362-01	Lager .....	Bearing.....		Pos 46 - 48 incl.
200	1				1139-1403-01	Dichtungssatz.....	Seal kit .....		Marked S

X