



Green Passion

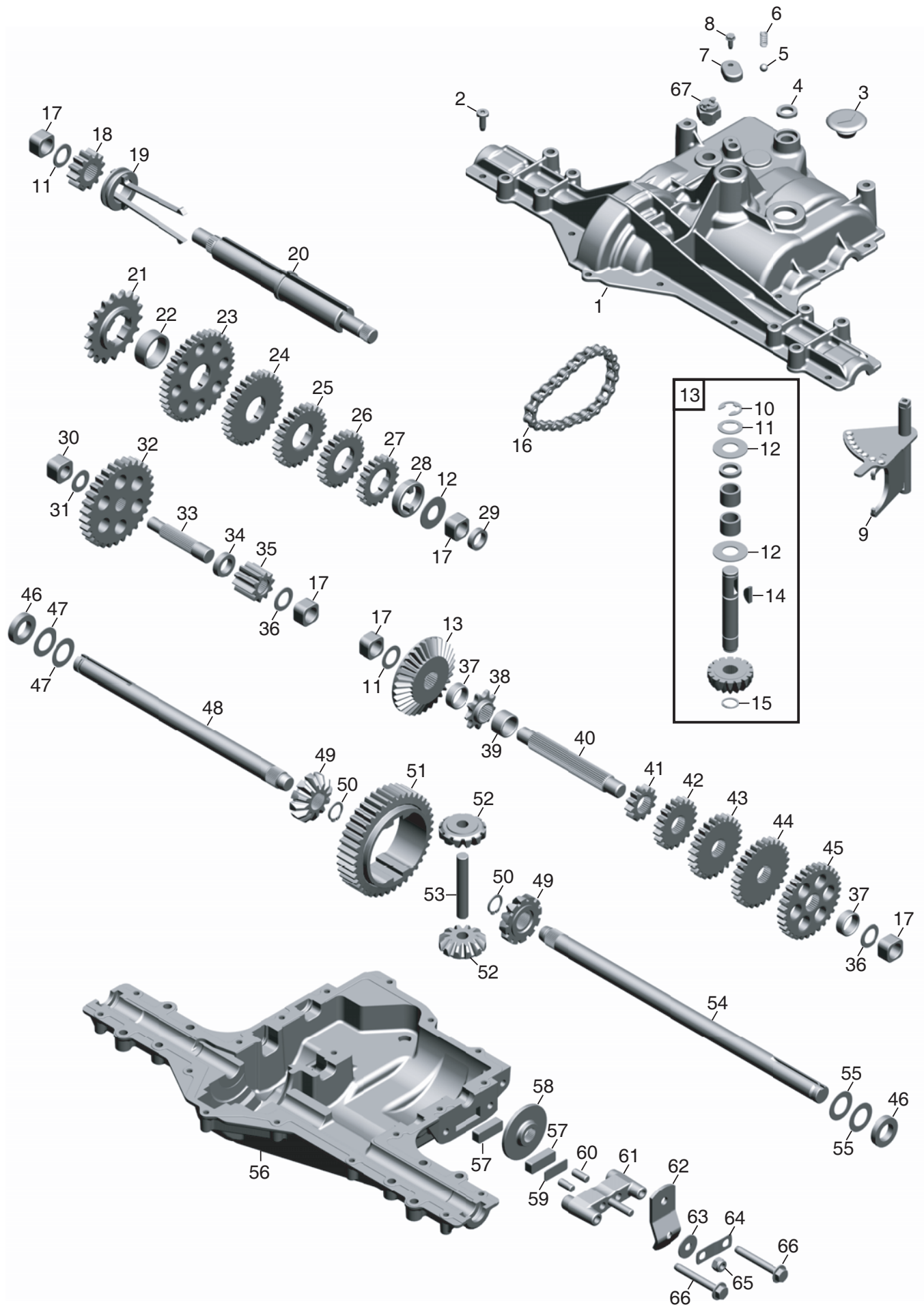
Illustrated Parts List

**Transmissions Dana, Kanzaki
Model Year 2009**

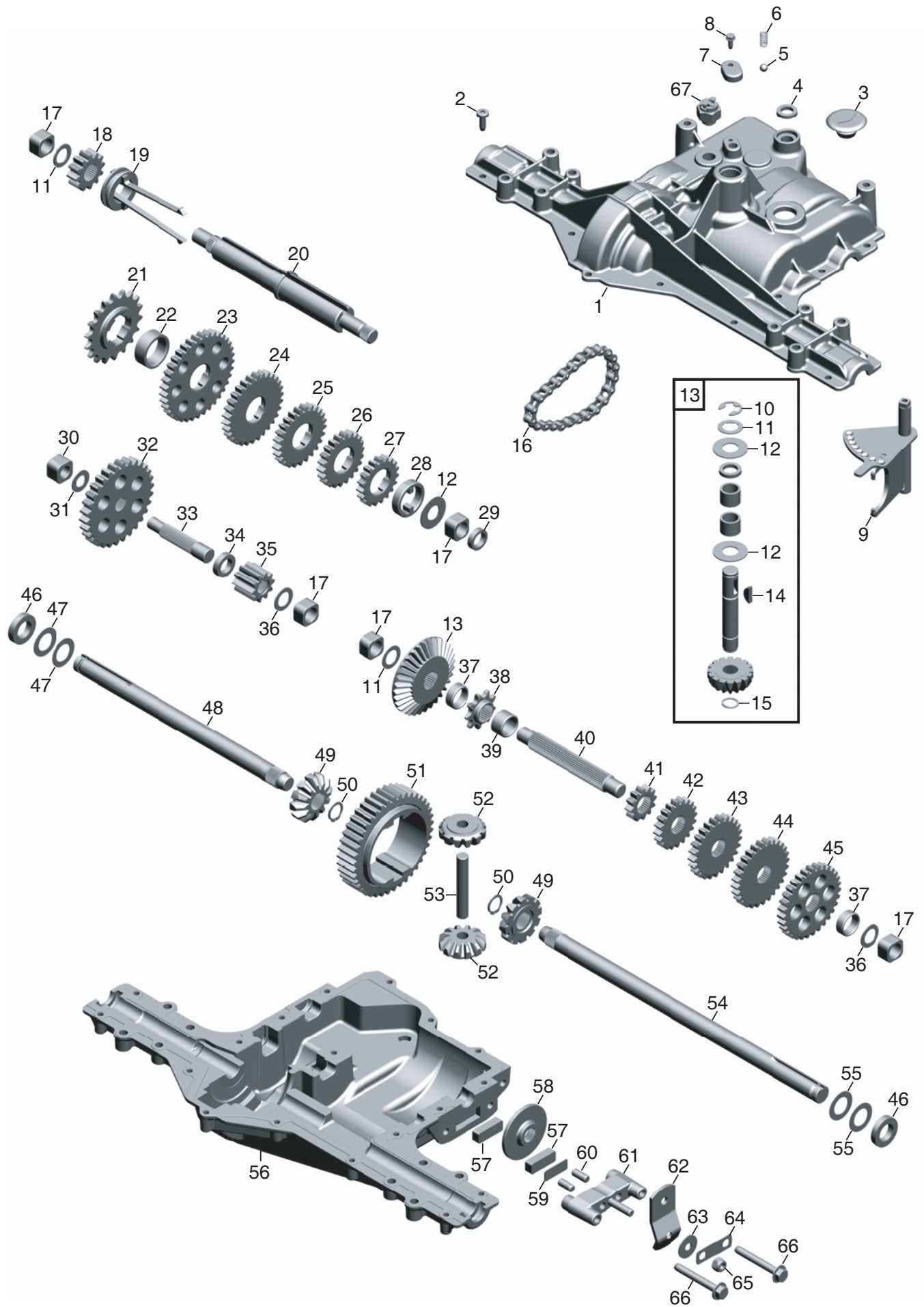
- Use GLOBAL GARDEN PRODUCT Genuine Spare Parts specified in the parts list for repair and/or replacement.
- The contents described in the parts list may change due to improvement.
- The drawings of the spare parts are only indicative and might not represent the part in question exactly.
- The indications "right" - "left" - "front" - "rear" refer to the position of the operator when using the machine.
- When placing orders of parts for repair and/or replacement, make sure that the illustrated parts list is the one applying to the machine's year of manufacture, as shown on the identification plate attached to the machine.

COPYRIGHT by GLOBAL GARDEN PRODUCTS

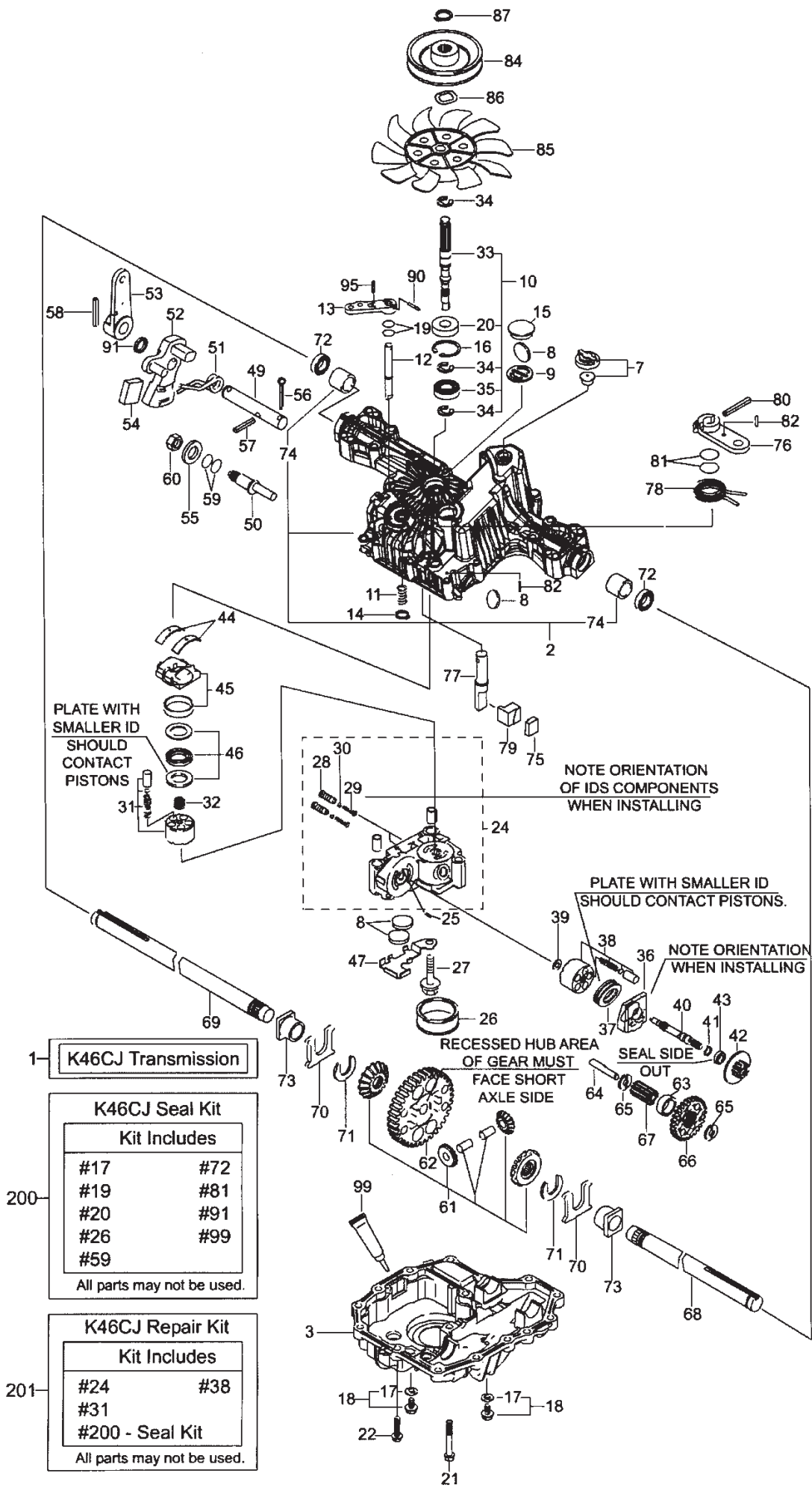
All rights reserved. No part of this material may be reproduced or transmitted, in any form or by any means, electronic or mechanical, including photocopying, recording or by any information storage and retrieval system, without permission in writing from GLOBAL GARDEN PRODUCTS.



Ausgabe Issue 2009-31		Bild Nr Picture No C161		DANA GETRIEBE 6800-7 6800-8		DANA TRANSAXLE 6800-7 6800-8		Seite Page 166	
Pos. Fig.	Anzahl/Quantity			Artikel Nr. Part No	Bezeichnung	Description	Satz Kit	Anmerkung Notes	
	6800 -7	6800 -8							
0	1			1134-6338-01	Getriebe Kpl.....	Transaxle assy.....		Dana 6800-7	
0		1		1134-6349-01	Getriebe Kpl.....	Transaxle assy.....		Dana 6800-8	
1	1			F000-6768-00	Gehäuse- obere.....	Housing- upper assy.....		Pos 4, 7-8 incl.	
1		1		F000-6769-00	Gehäuse- obere.....	Housing- upper assy.....		Pos 4, 7-8 incl.	
2	18	18		F000-1919-00	Schraube.....	Screw.....			
3	1	1		F004-1356-00	Gummipropfen.....	Rubber plug.....			
4	1	1		F000-7089-00	• Dichtring.....	• Oil seal.....			
5	1	1		F000-5947-00	Kugel.....	Ball.....			
6	1	1		F000-5948-00	Feder.....	Spring.....			
7	1	1		F000-7101-00	• Deckel.....	• Detent cover.....			
8	1	1		F084-0052-00	• Schraube.....	• Screw.....			
9	1	1		F000-6670-00	Schaltführer.....	Shifter.....			
10	1	1		F000-1106-00	• Schließring.....	• Retaining ring.....			
11	3	3		F000-4689-00	• Satz- Scheiben.....	• Kit- shim.....			
12	3	3		F000-3876-00	• Scheibe.....	• Washer.....			
13	1	1		F000-6753-00	Eingangswelle.....	Input shaft assy.....		Pos 10-12, 14-15	
14	1	1		F000-1746-00	• Keil.....	• Key.....			
15	1	1		F000-3956-00	• Schließring.....	• Retaining ring.....			
16	1	1		F000-3625-00	Kette.....	Chain.....			
17	5	5		F000-7091-00	Buchse.....	Bushing.....			
18	1	1		F000-7080-00	Zahnrad.....	Spur gear.....		12T	
19	1	1		F000-6692-00	Schaltheile.....	Shift collar.....			
20	1	1		F000-7086-00	Achse.....	Intermediate shaft.....			
21	1	1		F000-3830-00	Kettenrad.....	Sprocket.....		18T	
22	1	1		F000-7094-00	Distanz.....	Spacer.....			
23	1	1		F000-5365-00	Zahnrad.....	Gear, spur.....		37T	
24	1	1		F000-3867-00	Zahnrad.....	Gear, spur.....		30T	
25	1	1		F000-3783-00	Zahnrad.....	Gear, spur.....		25T	
26	1	1		F000-3869-00	Zahnrad.....	Gear, spur.....		22T	
27	1	1		F000-5202-00	Zahnrad.....	Gear, spur.....		19T	
28	1	1		F000-5027-00	Distanz.....	Spacer.....			
29	1	1		F000-7115-00	Dichtring.....	Oil seal.....			
30	1	1		F000-7092-00	Buchse.....	Bushing.....			
31	1	1		F000-3890-00	Scheibe.....	Plain washer.....			
32	1	1		F000-7079-00	Zahnrad.....	Spur gear.....		30T	
33	1	1		F000-7083-00	Achse.....	Idler shaft.....			
34	1	1		F000-3410-00	Distanz.....	Spacer.....			
35	1	1		F000-5180-00	Zahnrad.....	Spur gear.....		10T	
36	2	2		F000-1425-00	Scheibe.....	Washer.....			
37	2	2		F000-3714-00	Distanz.....	Spacer.....			
38	1	1		F000-3645-00	Kettenrad.....	Sprocket.....		9T	
39	1	1		F000-7162-00	Distanz.....	Spacer.....			
40	1	1		F000-7084-00	Achse.....	Drive shaft.....			
41	1	1		F000-5364-00	Zahnrad.....	Gear, spur.....		12T	
42	1	1		F000-3866-00	Zahnrad.....	Gear, spur.....		20T	
43	1	1		F000-3719-00	Zahnrad.....	Gear, spur.....		25T	
44	1	1		F000-3868-00	Zahnrad.....	Gear, spur.....		28T	
45	1	1		F000-3683-00	Zahnrad.....	Gear, spur.....		31T	
46	2	2		F000-7088-00	Dichtring.....	Oil seal.....			
47	2	2		F000-3184-00	Scheibe.....	Washer.....			
48	1			F000-7165-10	Radachse- L.....	Wheel axle- LH.....			
48		1		F000-7166-10	Radachse- L.....	Wheel axle- LH.....			
49	2	2		F000-5622-00	Zahnrad.....	Miter gear.....		12T	
50	2	2		F000-5270-00	Schließring.....	Retaining ring.....			
51	1	1		F000-5181-00	Zahnrad.....	Spur gear.....		41T	
52	2	2		F000-5623-00	Zahnrad.....	Miter gear.....		12T	
53	1	1		F000-3919-00	Achse.....	Cross shaft.....			
54	1			F000-7165-20	Radachse- R.....	Wheel axle- RH.....			
54		1		F000-7166-20	Radachse- R.....	Wheel axle- RH.....			
55	1	1		F000-4691-00	Satz- Scheiben.....	Kit- shim.....			
56	1	1		F000-7071-A0	Gehäuse- untere.....	Housing- lower.....			
57	1	1		F000-6754-00	Friktionsbelag- Satz.....	Friction puck kit.....			
58	1	1		F000-7103-00	Bremsscheibe.....	Brake disc.....			



Ausgabe Issue 2009-31		Bild Nr Picture No C161		DANA GETRIEBE 6800-7 6800-8		DANA TRANSAXLE 6800-7 6800-8		Seite Page 168	
Pos. Fig.	Anzahl/Quantity				Artikel Nr. Part No	Bezeichnung	Description	Satz Kit	Anmerkung Notes
	6800 -7	6800 -8							
59	1	1			F000-3758-00	Distanz.....	Spacer.....		
60	2	2			F000-3843-00	Sperrstift	Dowel pin		
61	1	1			F000-5554-00	Bremshalter	Brake jaw		
62		1			F000-7029-00	Bremsarm.....	Actuating lever		
62	1				F000-7032-00	Bremsarm.....	Actuating lever		
63	1	1			F000-3760-00	Scheibe.....	Washer.....		
64	1	1			F000-5555-00	Scheibe.....	Bracket.....		
65	1	1			F000-3847-00	Gegenmutter.....	Lock nut.....		
66	2	2			F000-5562-00	Schraube	Screw.....		
67		1			F000-7034-00	Schalter	Switch.....		



1- K46CJ Transmission

200- K46CJ Seal Kit

Kit Includes	
#17	#72
#19	#81
#20	#91
#26	#99
#59	

All parts may not be used.

201- K46CJ Repair Kit

Kit Includes	
#24	#38
#31	
#200 - Seal Kit	

All parts may not be used.

NOTE ORIENTATION OF IDS COMPONENTS WHEN INSTALLING

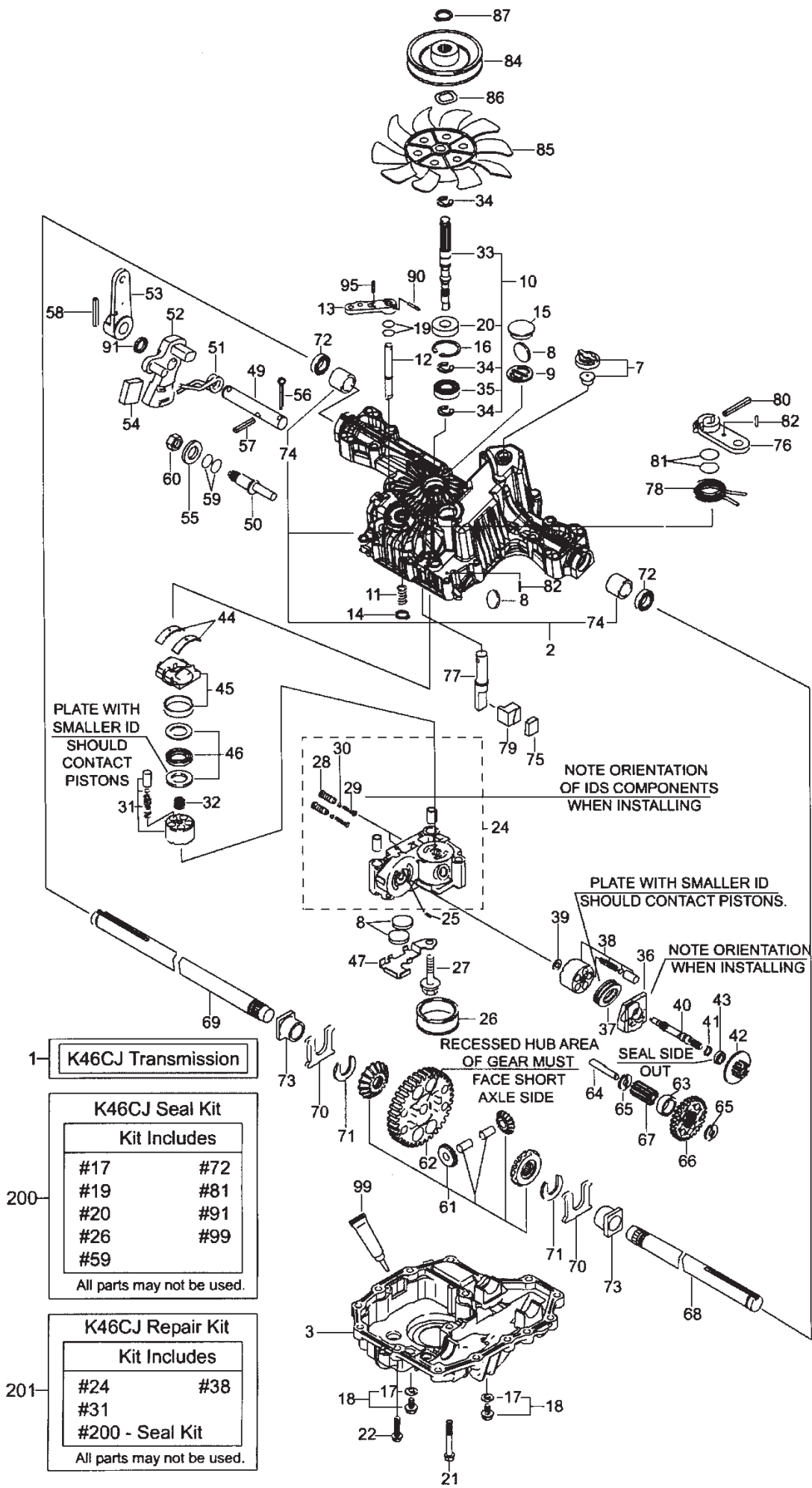
PLATE WITH SMALLER ID SHOULD CONTACT PISTONS.

NOTE ORIENTATION WHEN INSTALLING

RECESSED HUB AREA OF GEAR MUST FACE SHORT AXLE SIDE

SEAL SIDE OUT

Ausgabe Issue 2009- 31		Bild Nr Picture No C208		KANZAKI GETRIEBE K46CJ (s/n 0000001-)		KANZAKI TRANSAXLE K46CJ (s/n 0000001-)		Seite Page 170	
Pos. Fig.	Anzahl/Quantity				Artikel Nr. Part No	Bezeichnung	Description	Satz Kit	Anmerkung Notes
	K46 CJ								
1	1			1134-7767-01	Getriebe kpl	Transaxle assy.....		Kanzaki K46CJ	
2	1			1139-1485-01	Gehäuse- obere.....	Housing- upper			
3	1			1139-1402-01	Gehäuse- untere.....	Case- lower			
7	1			1139-1595-01	Ventil kpl.....	Vent valve assy			
8	2			1139-1150-01	Magnet	Magnet.....	S		
9	1			1139-1341-01	Halter- Magnet	Holder- magnet			
10	1			1139-1499-01	Pumpenachse kpl	Pump shaft kit.....			
11	1			1139-1347-01	Feder	Spring			
12	1			1139-1324-01	Welle- bypass	Shaft- bypass			
13	1			1139-1189-01	Hebel- bypass	Lever- bypass			
14	1			1139-1161-01	Schließring	Ring			
15	1			1139-1275-01	Propfen.....	Bore plug			
16	1			1139-1104-01	Schließring	Snap ring			
17	2			1139-1103-01	• Dichtungsscheibe	• Seal washer.....	S		
18	2			1139-1500-01	Bolzensatz	Drain bolt kit			
21	2			1139-1295-01	Schraube	Tapping screw.....			
22	14			1139-0244-01	Schraube	Tapping screw.....			
24	1			1139-1599-01	Zentrumgehäuse.....	Center case assy			
25	1			1139-1158-01	Stift.....	Pin			
26	1			1139-1405-01	Filter	Filter	S		
27	3			1139-1294-01	Bolzen.....	Bolt			
28	2			1139-1468-01	Ventil	Valve			
29	2			1139-1243-01	Feder	Spring			
30	2			1139-1307-01	Filter	Filter			
31	1			1139-1356-01	Zylinderblock kpl	Cylinder block assy			
32	1			1139-1245-01	Feder	Spring			
33	1			1139-1406-01	• Pumpachse.....	• Pump shaft.....			
34	3			1139-1146-01	• Schließring	• Ring			
35	1			1139-1110-01	• Kugellager.....	• Ball bearing			
36	1			1139-1157-01	Gehäuse.....	Housing			
37	1			1139-1501-01	Lager	Bearing.....			
38	1			1139-1454-01	Zylinderblock Kpl.....	Cylinder block assy			
39	1			1139-1160-01	Scheibe.....	Washer.....			
40	1			1139-1353-01	Motorachse	Motor shaft			
41	1			1139-1021-01	Schließring	Snap ring			
42	1			1139-1272-01	Motorzahnrad	Motor gear			
43	1			1139-1453-01	Lager	Bearing.....			
44	2			1139-1066-01	Druckplatte	Metal thrust.....			
45	1			1139-1597-01	Spritzerplatte kpl.....	Swash plate assy			
46	1			1139-1508-01	Lager	Bearing.....			
47	1			1139-1598-01	Magnethalter	Magnet holder.....			
49	1			1139-1354-01	Regulierachse.....	Control shaft			
50	1			1139-1410-01	Exenter	Fulcrum.....			
51	1			1139-1312-01	Feder	Spring			
52	1			1139-1409-01	Reglerarm.....	Control arm.....			
53	1			1139-1325-01	Kontrollhebel	Control lever			
54	1			1139-1596-01	Rückplatte	Jerky plate.....			
55	1			1139-1102-01	Scheibe.....	Washer.....			
56	1			1139-1355-01	Splint.....	Cotter pin			
57	1			1139-1329-01	Stift.....	Pin			
58	1			1139-1285-01	Stift.....	Pin			
60	1			1139-1127-01	Mutter	Nut			
61	1			1139-1404-01	Diff.ritzel kpl	Differential gear kit.....			
62	1			1139-1258-01	Enderitzel.....	Final gear			
63	1			1139-1255-01	Hülse	Collar			
64	1			1139-1256-01	Reduktionsachse	Reduction shaft.....			
65	2			1139-1257-01	Scheibe.....	Washer.....			
66	1			1139-1267-01	Reduktionsritzel.....	Reduction gear.....			
67	1			1139-1361-01	Enderitzel.....	Final pinion			
68	1			1139-1342-01	Radachse- links	Axle shaft- left			
69	1			1139-1343-01	Radachse- rechts	Axle shaft- right.....			
70	2			1139-1078-01	Druckscheibe.....	Thrust washer			
71	2			1139-1163-01	Schließring	Ring			



1- K46CJ Transmission

200- K46CJ Seal Kit

Kit Includes	
#17	#72
#19	#81
#20	#91
#26	#99
#59	

All parts may not be used.

201- K46CJ Repair Kit

Kit Includes	
#24	#38
#31	
#200 - Seal Kit	

All parts may not be used.

NOTE ORIENTATION OF IDS COMPONENTS WHEN INSTALLING

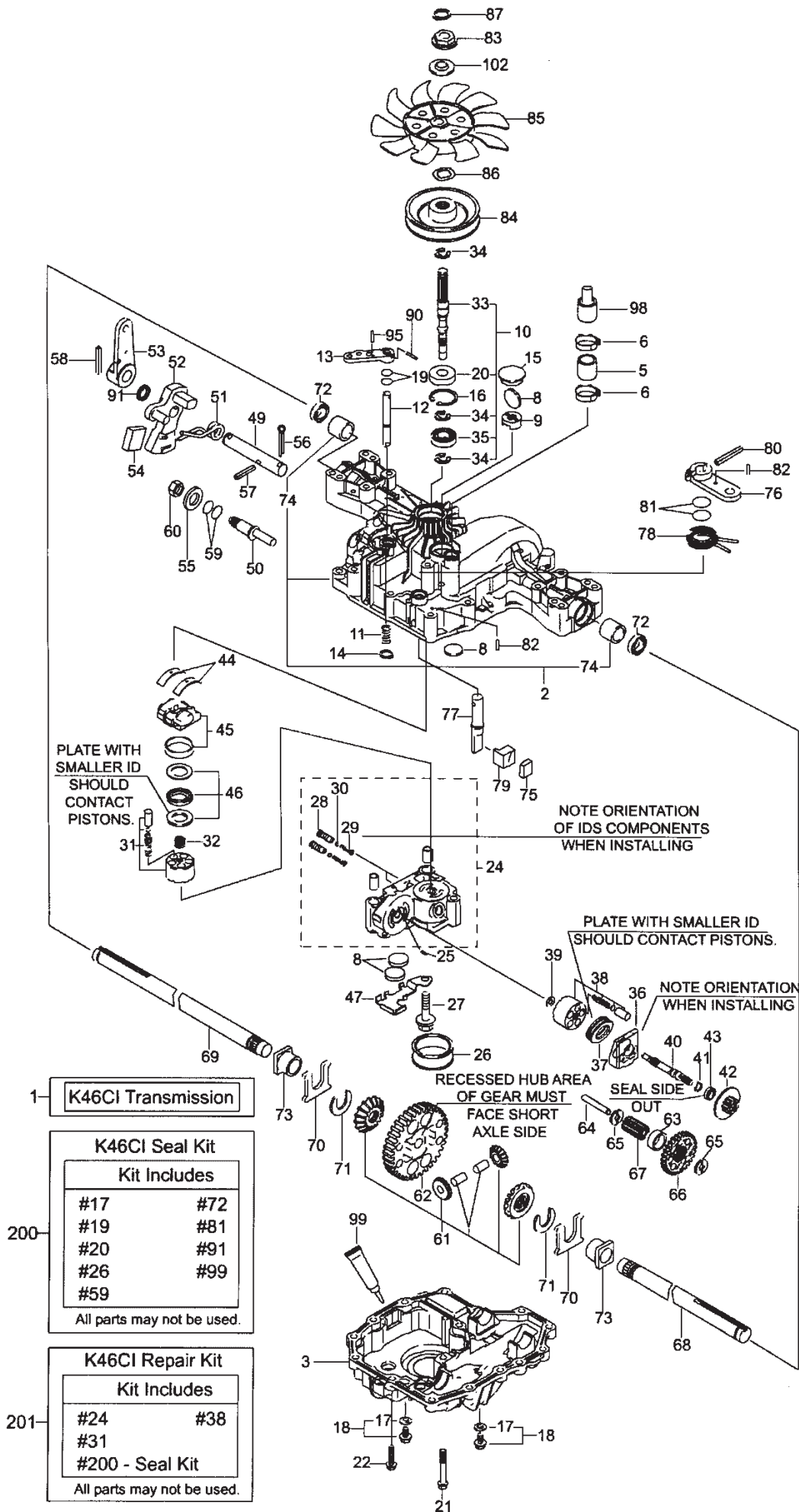
PLATE WITH SMALLER ID SHOULD CONTACT PISTONS.

NOTE ORIENTATION WHEN INSTALLING

RECESSED HUB AREA OF GEAR MUST FACE SHORT AXLE SIDE

SEAL SIDE OUT

Ausgabe Issue 2009- 31		Bild Nr Picture No C208		KANZAKI GETRIEBE K46CJ (s/n 0000001-)		KANZAKI TRANSAXLE K46CJ (s/n 0000001-)		Seite Page 172	
Pos. Fig.	Anzahl/Quantity				Artikel Nr. Part No	Bezeichnung	Description	Satz Kit	Anmerkung Notes
	K46 CJ								
72	2				1139- 1080- 01	Dichtring.....	Seal.....	S	Marked S
73	2				1139- 1164- 01	Buchse.....	Bushing.....		
74	2				1139- 1414- 01	• Buchse.....	• Bushing.....		
75	1				1139- 1260- 01	Bremsschuhe.....	Brake shoe.....		
76	1				1139- 1261- 01	Bremshebel.....	Brake arm.....		
77	1				1139- 1320- 01	Bremsachse.....	Brake shaft.....		
78	1				1139- 1411- 01	Feder.....	Return spring.....		
79	1				1139- 1264- 01	Bremsdrucker.....	Brake actuator.....		
80	1				1139- 1282- 01	Stift.....	Pin.....		
82	2				1139- 1281- 01	Stift.....	Pin.....		
84	1				1139- 1484- 01	Riemenscheibe.....	Belt pulley.....		
85	1				1134- 4190- 01	Gebläse.....	Fan.....		
86	1				1139- 1266- 01	Schloßscheibe.....	Lock washer.....		
87	1				1139- 1149- 01	Schließring.....	Snap ring.....		
90	1				1139- 1280- 01	Stift.....	Pin.....		
95	1				1139- 1279- 01	Stift.....	Pin.....		
99	1				1139- 1443- 01	Dichtungsmittel.....	Sealant.....	S	
200	1				1139- 1403- 01	Dichtungssatz.....	Seal kit.....		
201	1				1139- 1600- 01	Reparationsatz.....	Repair kit.....		



1 **K46CI Transmission**

K46CI Seal Kit

Kit Includes

#17	#72
#19	#81
#20	#91
#26	#99
#59	

All parts may not be used.

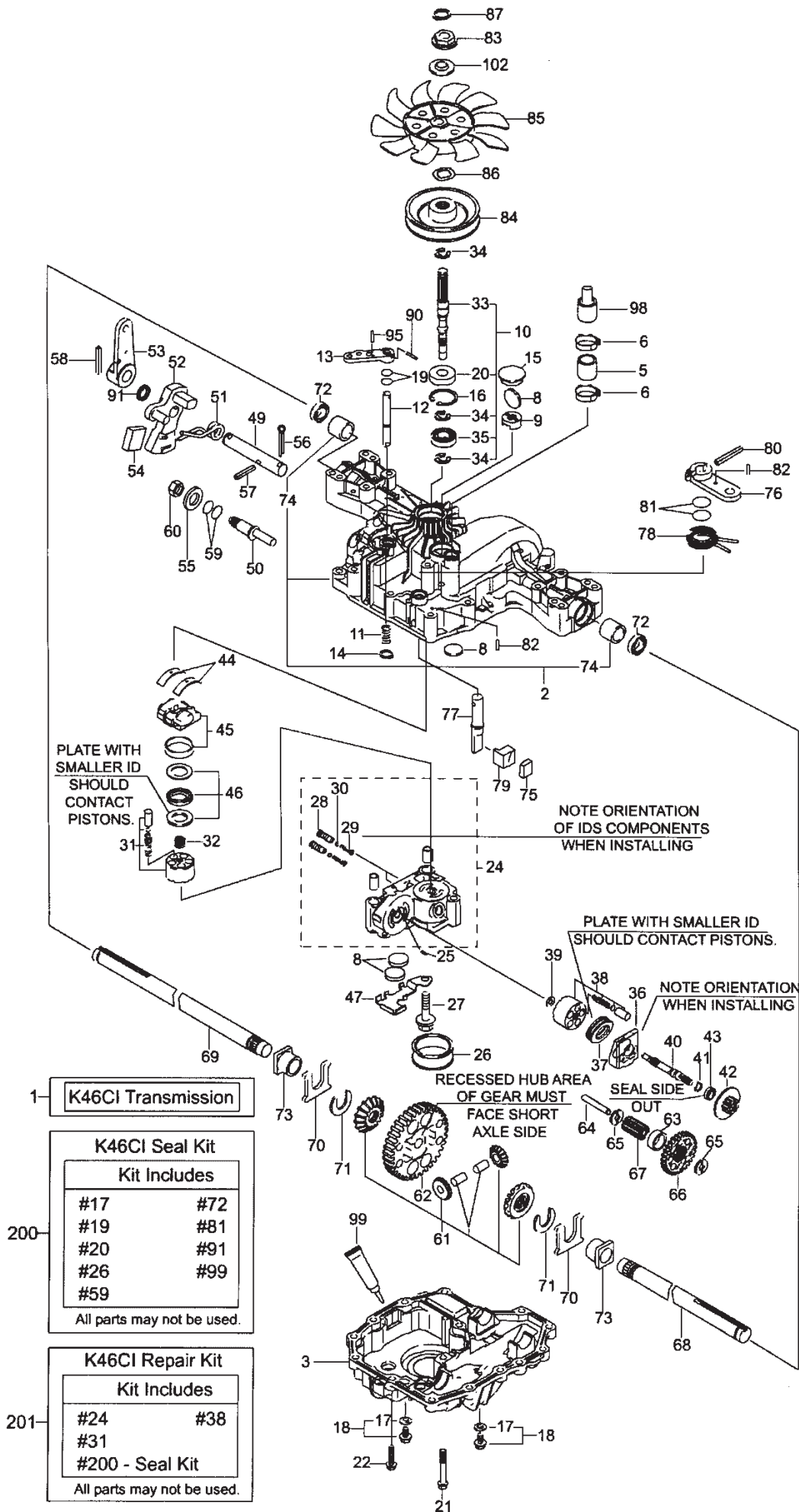
201 **K46CI Repair Kit**

Kit Includes

#24	#38
#31	
#200 - Seal Kit	

All parts may not be used.

Ausgabe Issue 2009-31		Bild Nr Picture No C207		KANZAKI GETRIEBE K46CI (s/n 0000001-)		KANZAKI TRANSAXLE K46CI (s/n 0000001-)		Seite Page 174	
Pos. Fig.	Anzahl/Quantity				Artikel Nr. Part No	Bezeichnung	Description	Satz Kit	Anmerkung Notes
	K46 CI								
1	1			1134-7767-01	Getriebe kpl	Transaxle assy.....		Kanzaki K46CI	
2	1			1139-1470-01	Gehäuse- obere.....	Housing- upper			
3	1			1139-1402-01	Gehäuse- untere.....	Case- lower			
5	1			1139-1301-01	Rohr	Tube			
6	2			1139-1336-01	Schlauchklemme	Hose clamp			
8	2			1139-1150-01	Magnet	Magnet.....			
9	1			1139-1341-01	Halter- Magnet	Holder- magnet			
10	1			1139-1511-01	Pumpenachse kpl	Pump shaft kit.....			
11	1			1139-1347-01	Feder	Spring			
12	1			1139-1251-01	Achse by- pass	Shaft- bypass			
13	1			1139-1189-01	Hebel- bypass	Lever- bypass.....			
14	1			1139-1161-01	Schließring	Ring			
15	1			1139-1275-01	Propfen.....	Bore plug			
16	1			1139-1104-01	• Schließring	• Snap ring			
17	2			1139-1103-01	• Dichtungsscheibe	• Seal washer.....	S		
18	2			1139-1500-01	Bolzensatz	Drain bolt kit			
21	2			1139-1295-01	Schraube	Tapping screw.....			
22	14			1139-0244-01	Schraube	Tapping screw.....			
24	1			1139-1599-01	Zentrumgehäuse.....	Center case assy			
25	1			1139-1158-01	Stift.....	Pin			
26	1			1139-1405-01	Filter	Filter	S		
27	3			1139-1294-01	Bolzen.....	Bolt			
28	2			1139-1468-01	Ventil	Valve			
29	2			1139-1243-01	Feder	Spring			
30	2			1139-1307-01	Filter	Filter			
31	1			1139-1356-01	Zylinderblock kpl	Cylinder block assy			
32	1			1139-1245-01	Feder	Spring			
33	1			1139-1246-01	• Pumpenwelle	• Pump shaft.....			
34	3			1139-1146-01	• Schließring	• Ring			
35	1			1139-1110-01	• Kugellager.....	• Ball bearing			
36	1			1139-1157-01	Gehäuse.....	Housing			
37	1			1139-1501-01	Lager	Bearing.....			
38	1			1139-1454-01	Zylinderblock Kpl.....	Cylinder block assy			
39	1			1139-1160-01	Scheibe.....	Washer.....			
40	1			1139-1353-01	Motorachse	Motor shaft			
41	1			1139-1021-01	Schließring	Snap ring			
42	1			1139-1272-01	Motorzahnrad	Motor gear			
43	1			1139-1453-01	Lager	Bearing.....			
44	2			1139-1066-01	Druckplatte	Metal thrust.....			
45	1			1139-1597-01	Spritzerplatte kpl.....	Swash plate assy			
46	1			1139-1508-01	Lager	Bearing.....			
47	1			1139-1598-01	Magnethalter	Magnet holder			
49	1			1139-1354-01	Regulierachse.....	Control shaft			
50	1			1139-1410-01	Drehzentrum.....	Fulcrum.....			
51	1			1139-1312-01	Feder	Spring			
52	1			1139-1409-01	Reglerarm.....	Control arm			
53	1			1139-1325-01	Kontrollhebel	Control lever			
54	1			1139-1596-01	Rückplatte	Jerky plate.....			
55	1			1139-1102-01	Scheibe.....	Washer.....			
56	1			1139-1355-01	Splint.....	Cotter pin			
57	1			1139-1329-01	Stift.....	Pin			
58	1			1139-1285-01	Stift.....	Pin			
60	1			1139-1127-01	Mutter	Nut.....			
61	1			1139-1404-01	Diff.ritzel kpl	Differential gear kit.....			
62	1			1139-1258-01	Enderitzel.....	Final gear			
63	1			1139-1255-01	Hülse	Collar			
64	1			1139-1256-01	Reduktionsachse	Reduction shaft.....			
65	2			1139-1257-01	Scheibe.....	Washer.....			
66	1			1139-1267-01	Reduktionsritzel.....	Reduction gear			
67	1			1139-1361-01	Enderitzel.....	Final pinion			
68	1			1139-1344-01	Radachse- links	Axle shaft- left			
69	1			1139-1345-01	Radachse- rechts	Axle shaft- right.....			
70	2			1139-1078-01	Druckscheibe.....	Thrust washer			



1 **K46CI Transmission**

K46CI Seal Kit

Kit Includes

#17	#72
#19	#81
#20	#91
#26	#99
#59	

All parts may not be used.

200

K46CI Repair Kit

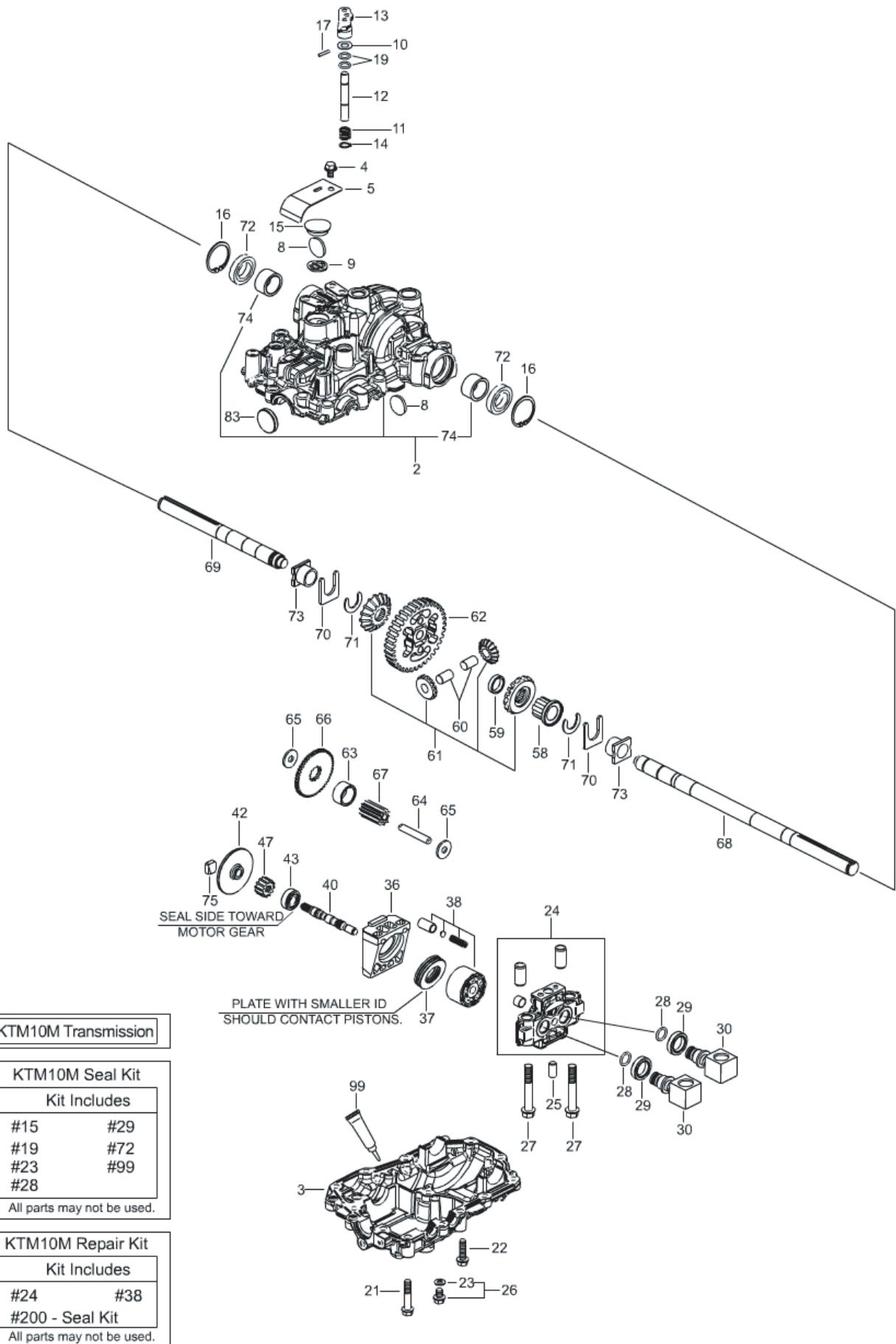
Kit Includes

#24	#38
#31	
#200 - Seal Kit	

All parts may not be used.

201

Ausgabe Issue 2009- 31		Bild Nr Picture No C207		KANZAKI GETRIEBE K46CI (s/n 0000001-)		KANZAKI TRANSAXLE K46CI (s/n 0000001-)		Seite Page 176	
Pos. Fig.	Anzahl/Quantity				Artikel Nr. Part No	Bezeichnung	Description	Satz Kit	Anmerkung Notes
	K46 CI								
71	2				1139-1163-01	Schließring	Ring	S	
72	2				1139-1080-01	Dichtring.....	Seal		
73	2				1139-1164-01	Buchse.....	Bushing.....		
74	2				1139-1414-01	• Buchse.....	• Bushing.....		
75	1				1139-1260-01	Bremsschuhe.....	Brake shoe		
76	1				1139-1261-01	Bremshebel	Brake arm		
77	1				1139-1320-01	Bremsachse.....	Brake shaft.....		
78	1				1139-1411-01	Feder	Return spring		
79	1				1139-1264-01	Bremsdrucker.....	Brake actuator.....		
80	1				1139-1282-01	Stift.....	Pin		
82	2				1139-1281-01	Stift.....	Pin		
83	1				1139-1248-01	Hülse	Spline collar		
84	1				1139-1484-01	Riemenscheibe	Pulley		
85	1				1134-4190-01	Gebälse.....	Fan		
86	1				1139-1266-01	Schloßscheibe	Lock washer.....		
87	1				1139-1149-01	Schließring	Snap ring		
90	1				1139-1280-01	Stift.....	Pin		
95	1				1139-1279-01	Stift.....	Pin		
98	1				1139-1306-01	Adapter.....	Adapter		
99	1				1139-1443-01	Dichtungsmittel	Sealant		
102	1				1139-1276-01	Scheibe.....	Collar		
200	1				1139-1403-01	Dichtungssatz.....	Seal kit		
201	1				1139-1600-01	Reparationsatz.....	Repair kit.....	Marked S	



1- **KTM10M Transmission**

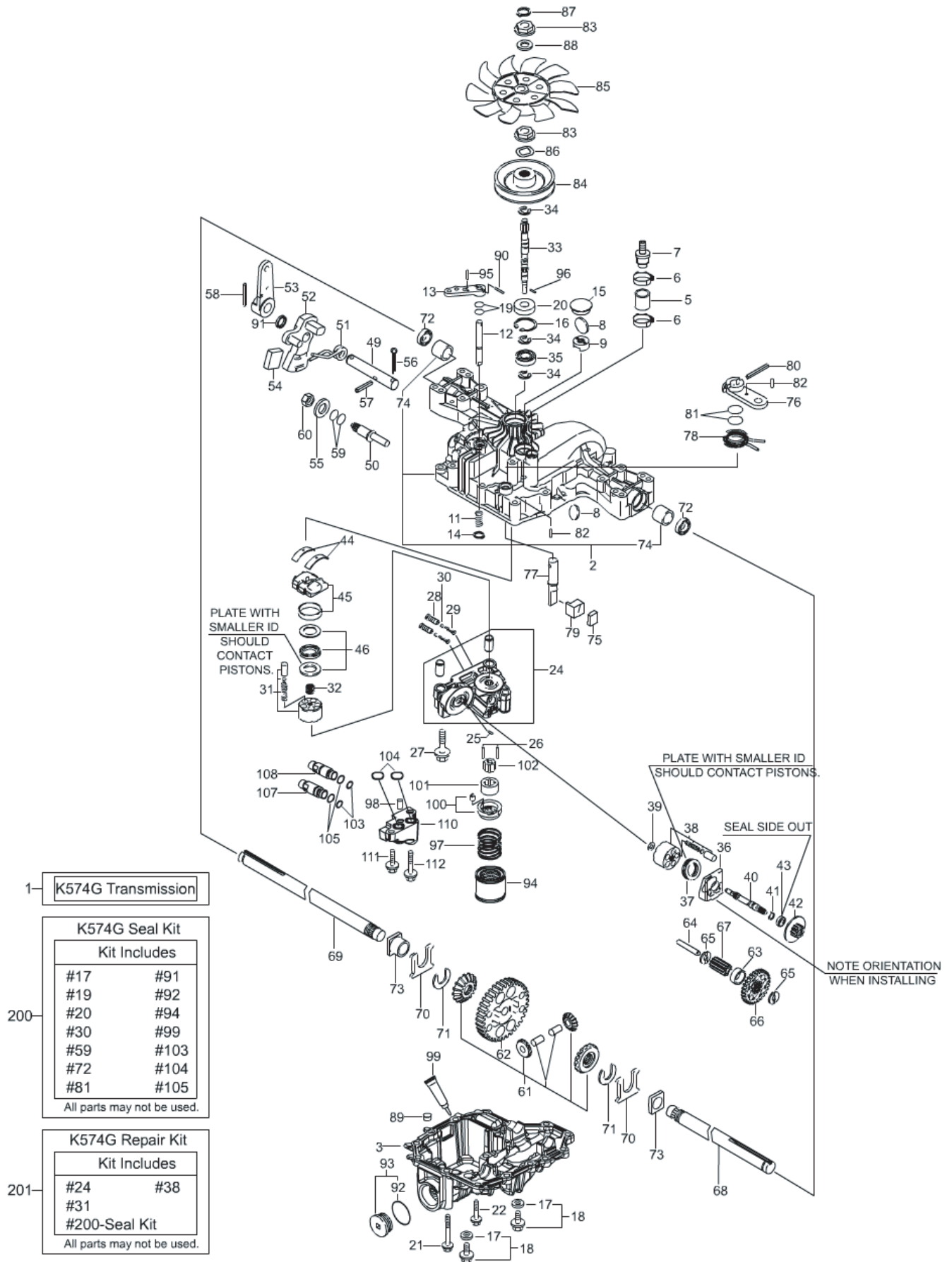
KTM10M Seal Kit	
Kit Includes	
#15	#29
#19	#72
#23	#99
#28	
All parts may not be used.	

200-

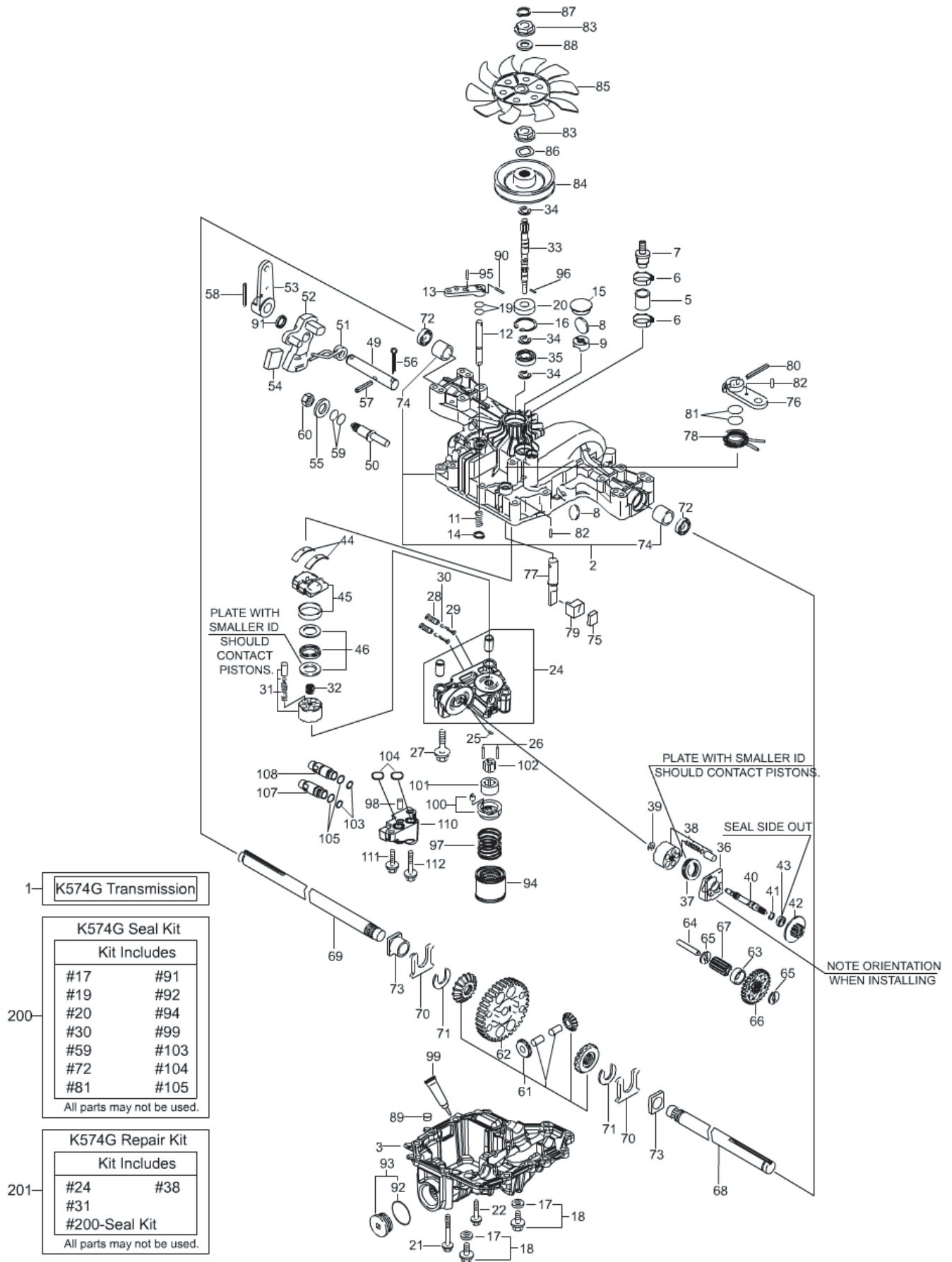
KTM10M Repair Kit	
Kit Includes	
#24	#38
#200 - Seal Kit	
All parts may not be used.	

201-

Ausgabe Issue 2009-31		Bild Nr Picture No C164		KANZAKI GETRIEBE KTM 10M		KANZAKI TRANSAXLE KTM 10M		Seite Page 178	
Pos. Fig.	Anzahl/Quantity				Artikel Nr. Part No	Bezeichnung	Description	Satz Kit	Anmerkung Notes
	KTM 10M								
1	1				1134-6029-01	Motorachse- vorne.....	Transaxle- front		Kanzaki KTM 10M Pos 74 incl.
2	1				1139-1417-01	Gehäuse- obere.....	Housing- upper		
3	1				1139-1418-01	Gehäuse- untere.....	Housing- lower		
4	1				1139-1123-01	Bolzen.....	Bolt		
5	1				1139-1384-01	Gleitplatte	Skid plate		
8	2				1139-1150-01	Magnet	Magnet.....		
9	1				1139-1341-01	Halter- Magnet.....	Holder- magnet		
10	1				1139-1388-01	Scheibe.....	Washer.....		
11	1				1139-1421-01	Feder	Spring		
12	1				1139-1420-01	Achse- bypass	By- pass shaft		
13	1				1139-1189-01	Hebel- bypass	Lever- bypass.....		
14	1				1139-1391-01	Schließring	Ring		
15	1				1139-1397-01	Dichtkappe.....	Sealing cap		
16	2				1139-1444-01	Schließring	Ring		
17	1				1139-1280-01	Stift.....	Pin		
19	2				1139-1114-01	O- ring	O- ring		
21	3				1139-1291-01	Bolzen.....	Bolt		
22	11				1139-1448-01	Bolzen.....	Bolt		
23	1				1139-1103-01	Dichtungsscheibe.....	Seal washer.....		
24	1				1139-1419-01	Zentrumgehäuse Kpl.....	Center case assy		
25	1				1139-1445-01	Zapfen	Pin		
27	2				1139-1449-01	Bolzen.....	Bolt		
28	2				1139-1446-01	Dichtung.....	Packing		
29	2				1139-1447-01	Dichtring.....	Seal		
30	2				1139-1424-01	Anschluß	Connector		
36	1				1139-1422-01	Gehäuse.....	Housing		
37	1				1139-1438-01	Lager.....	Bearing.....		
38	1				1139-1139-01	Zylinderblock Kpl.....	Cylinder block assy		
40	1				1139-1425-01	Motorachse	Motor shaft		
42	1				1139-1451-01	Bremsscheibe.....	Brake disc		
43	1				1139-1453-01	Lager	Bearing.....		
47	1				1139-1426-01	Motorritzel.....	Motor gear		
58	1				1139-1330-01	Hülse	Collar		
59	1				1139-1435-01	Hülse	Collar		
60	1				1139-1440-01	Achse.....	Pin		
61	1				1139-1439-01	Differentialritzel	Differential gear kit.....		
62	1				1139-1429-01	Ritzel	Final gear		
63	1				1139-1427-01	Hülse	Collar		
64	1				1139-1256-01	Reduktionsachse	Reduction shaft.....		
65	2				1139-1398-01	Scheibe.....	Washer.....		
66	1				1139-1430-01	Reduktionsritzel.....	Reduction gear.....		
67	1				1139-1361-01	Enderitzel.....	Final pinion		
68	1				1139-1432-01	Radachse.....	Axle		
69	1				1139-1431-01	Radachse.....	Axle.....		
70	2				1139-1194-01	Druckscheibe.....	Thrust washer		
71	2				1139-1155-01	Schließring	Ring		
72	2				1139-1044-01	Dichtung	Seal		
73	2				1139-1156-01	Buchse.....	Bushing.....		
74	2				1139-1415-01	• Buchse.....	• Bushing.....		
75	1				1139-1260-01	Bremsschuhe.....	Brake shoe		
83	1				1139-1450-01	Dichtung.....	Sealing cap		
99	1				1139-1443-01	Dichtungsmittel	Sealant		
200	1				1139-1436-01	Servicesatz	Seal kit		



Ausgabe Issue 2009- 31		Bild Nr Picture No C163		KANZAKI GETRIEBE K574G		KANZAKI TRANSAXLE K574G		Seite Page 180	
Pos. Fig.	Anzahl/Quantity				Artikel Nr. Part No	Bezeichnung	Description	Satz Kit	Anmerkung Notes
	574G								
1	1				1134- 6394- 01	Getriebe kpl	Transaxle assy.....		Kanzaki K574G Pos 74 incl. Pos 17 incl.
2	1				1139- 1470- 01	Gehäuse- obere.....	Housing- upper		
3	1				1139- 1456- 01	Gehäuse- untere.....	Housing- lower		
5	1				1139- 1301- 01	Rohr	Tube		
6	2				1139- 1336- 01	Schlauchklemme	Hose clamp		
7	1				1139- 1306- 01	Adapter.....	Adapter		
8	2				1139- 1150- 01	Magnet	Magnet		
9	1				1139- 1341- 01	Halter- Magnet.....	Holder- magnet		
11	1				1139- 1347- 01	Feder	Spring		
12	1				1139- 1251- 01	Achse by- pass	Shaft- bypass		
13	1				1139- 1189- 01	Hebel- bypass	Lever- bypass.....		
14	1				1139- 1161- 01	Schließring	Ring		
15	1				1139- 1275- 01	Propfen.....	Bore plug		
16	1				1139- 1104- 01	Schließring	Snap ring		
17	2				1139- 1103- 01	• Dichtungsscheibe	• Seal washer.....		
18	2				1139- 1123- 01	Bolzen.....	Bolt		
20	1				1139- 1119- 01	Dichtung.....	Seal		
21	4				1139- 1473- 01	Bolzen.....	Bolt		
22	12				1139- 0244- 01	Schraube	Tapping screw.....		
24	1				1139- 1487- 01	Zentrumgehäuse.....	Center case		
25	1				1139- 1158- 01	Stift.....	Pin		
26	2				1139- 1497- 01	Stift.....	Pin		
27	2				1139- 1294- 01	Bolzen.....	Bolt		
28	2				1139- 1468- 01	Ventil	IDS valve.....		
29	2				1139- 1243- 01	Feder	Spring		
30	2				1139- 1307- 01	Filter	Filter		
31	1				1139- 1356- 01	Zylinderblock kpl	Cylinder block assy		
32	1				1139- 1245- 01	Feder	Spring		
33	1				1139- 1493- 01	Pumpenwelle.....	Pump shaft		
34	3				1139- 1146- 01	Schließring	Ring		
35	1				1139- 1110- 01	Kugellager	Ball bearing		
36	1				1139- 1458- 01	Gehäuse.....	Housing		
37	1				1139- 1438- 01	Lager	Bearing.....		
38	1				1139- 1454- 01	Zylinderblock.....	Cylinder block		
39	1				1139- 1160- 01	Scheibe.....	Washer.....		
40	1				1139- 1353- 01	Motorachse	Motor shaft		
41	1				1139- 1021- 01	Schließring	Snap ring		
42	1				1139- 1272- 01	Motorzahnrad.....	Motor gear		
43	1				1139- 1453- 01	Lager	Bearing.....		
44	2				1139- 1066- 01	Druckplatte	Metal thrust.....		
45	1				1139- 1067- 01	Spritzplatte kpl.....	Swash plate assy		
46	1				1139- 1068- 01	Lager	Bearing.....		
49	1				1139- 1354- 01	Regulierachse.....	Control shaft		
50	1				1139- 1410- 01	Exenter	Fulcrum.....		
51	1				1139- 1312- 01	Feder	Spring		
52	1				1139- 1409- 01	Reglerarm.....	Control arm		
53	1				1139- 1325- 01	Kontrollhebel	Control lever		
54	1				1139- 1408- 01	Rückplatte	Jerky plate.....		
55	1				1139- 1102- 01	Scheibe.....	Washer.....		
56	1				1139- 1355- 01	Splint.....	Cotter pin		
57	1				1139- 1329- 01	Stift.....	Pin		
58	1				1139- 1285- 01	Stift.....	Pin		
60	1				1139- 1127- 01	Mutter	Nut		
61	1				1139- 1404- 01	Diff.ritzel kpl	Differential gear kit.....		
62	1				1139- 1258- 01	Enderitzel.....	Final gear		
63	1				1139- 1255- 01	Hülse	Collar		
64	1				1139- 1256- 01	Reduktionsachse	Reduction shaft.....		
65	2				1139- 1398- 01	Scheibe.....	Washer.....		
66	1				1139- 1267- 01	Reduktionsritzel.....	Reduction gear.....		
67	1				1139- 1361- 01	Enderitzel.....	Final pinion		
68	1				1139- 1344- 01	Radachse- links	Axle shaft- left		
69	1				1139- 1345- 01	Radachse- rechts	Axle shaft- right.....		
70	2				1139- 1078- 01	Druckscheibe.....	Thrust washer		



1- K574G Transmission

K574G Seal Kit

Kit Includes

- | | |
|-----|------|
| #17 | #91 |
| #19 | #92 |
| #20 | #94 |
| #30 | #99 |
| #59 | #103 |
| #72 | #104 |
| #81 | #105 |

All parts may not be used.

200-

K574G Repair Kit

Kit Includes

- | | |
|---------------|-----|
| #24 | #38 |
| #31 | |
| #200-Seal Kit | |

All parts may not be used.

201-

Ausgabe Issue 2009-31		Bild Nr Picture No C163		KANZAKI GETRIEBE K574G		KANZAKI TRANSAXLE K574G		Seite Page 182	
Pos. Fig.	Anzahl/Quantity				Artikel Nr. Part No	Bezeichnung	Description	Satz Kit	Anmerkung Notes
	574G								
71	2				1139-1163-01	Schließring	Ring		
72	2				1139-1080-01	Dichtring.....	Seal		
73	2				1139-1164-01	Buchse.....	Bushing.....		
74	2				1139-1414-01	• Buchse.....	• Bushing.....		
75	1				1139-1260-01	Bremsschuhe.....	Brake shoe		
76	1				1139-1261-01	Bremshebel	Brake arm		
77	1				1139-1320-01	Bremsachse.....	Brake shaft.....		
78	1				1139-1411-01	Feder	Return spring		
79	1				1139-1264-01	Bremsdrucker.....	Brake actuator.....		
80	1				1139-1282-01	Stift.....	Pin		
82	2				1139-1281-01	Stift.....	Pin		
83	2				1139-1248-01	Hülse	Spline collar		
84	1				1139-1469-01	Riemenscheibe	Pulley		
85	1				1134-4190-01	Gebälse.....	Fan		
86	1				1139-1266-01	Schloßscheibe	Lock washer.....		
87	1				1139-1149-01	Schließring	Snap ring		
88	1				1139-1276-01	Scheibe.....	Collar		
89	4				1139-1166-01	Zapfen	Pin		
90	1				1139-1280-01	Stift.....	Pin		
91	1				1139-1303-01	Dichtring.....	Oil seal		
92	1				1139-1290-01	• Dichtung	• Packing		
93	1				1139-1230-01	Deckel.....	Cap.....		Pos 92 incl.
94	1				1139-1488-01	Filter	Filter		
95	1				1139-1279-01	Stift.....	Pin		
96	1				1139-1495-01	Zapfen	Pin		
97	1				1139-1492-01	Feder	Charge spring		
98	1				1139-1496-01	Zapfen	Parallell pin		
99	1				1139-1443-01	Dichtungsmittel	Sealant		
100	1				1139-1494-01	Pumpengehäuse.....	Pump case kit		
101	1				1139-1490-01	Rotor- ausser.....	Rotor- outer		
102	1				1139-1489-01	Rotor- innere	Rotor- inner		
105	2				1139-0239-01	Dichtung	Packing		
107	1				1139-1459-01	Nippel	Piping.....		
108	1				1139-1460-01	Nippel	Piping.....		
110	1				1139-1491-01	Pumpengehäuse.....	Charge pump case		
111	1				1139-1472-01	Bolzen.....	Bolt		
112	1				1139-1455-01	Schraube	Tapping screw.....		
113	1				1139-1471-01	Bolzen.....	Bolt		
200	1				1139-1481-01	Dichtungssatz.....	Seal kit		