



*Green Passion*

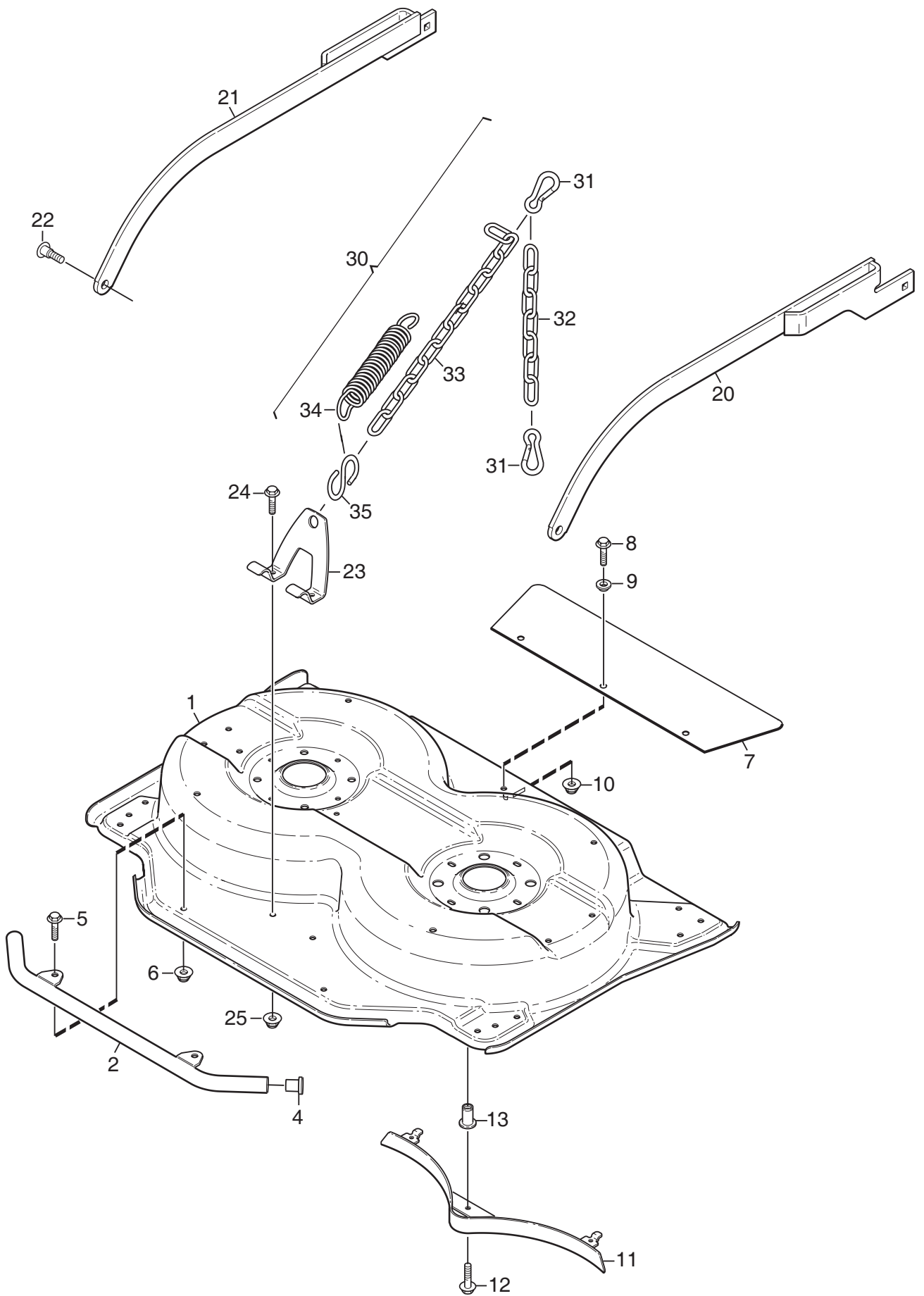
# Illustrated Parts List

**XM Mower Decks 85C-95C-105C  
Model Year 2009**

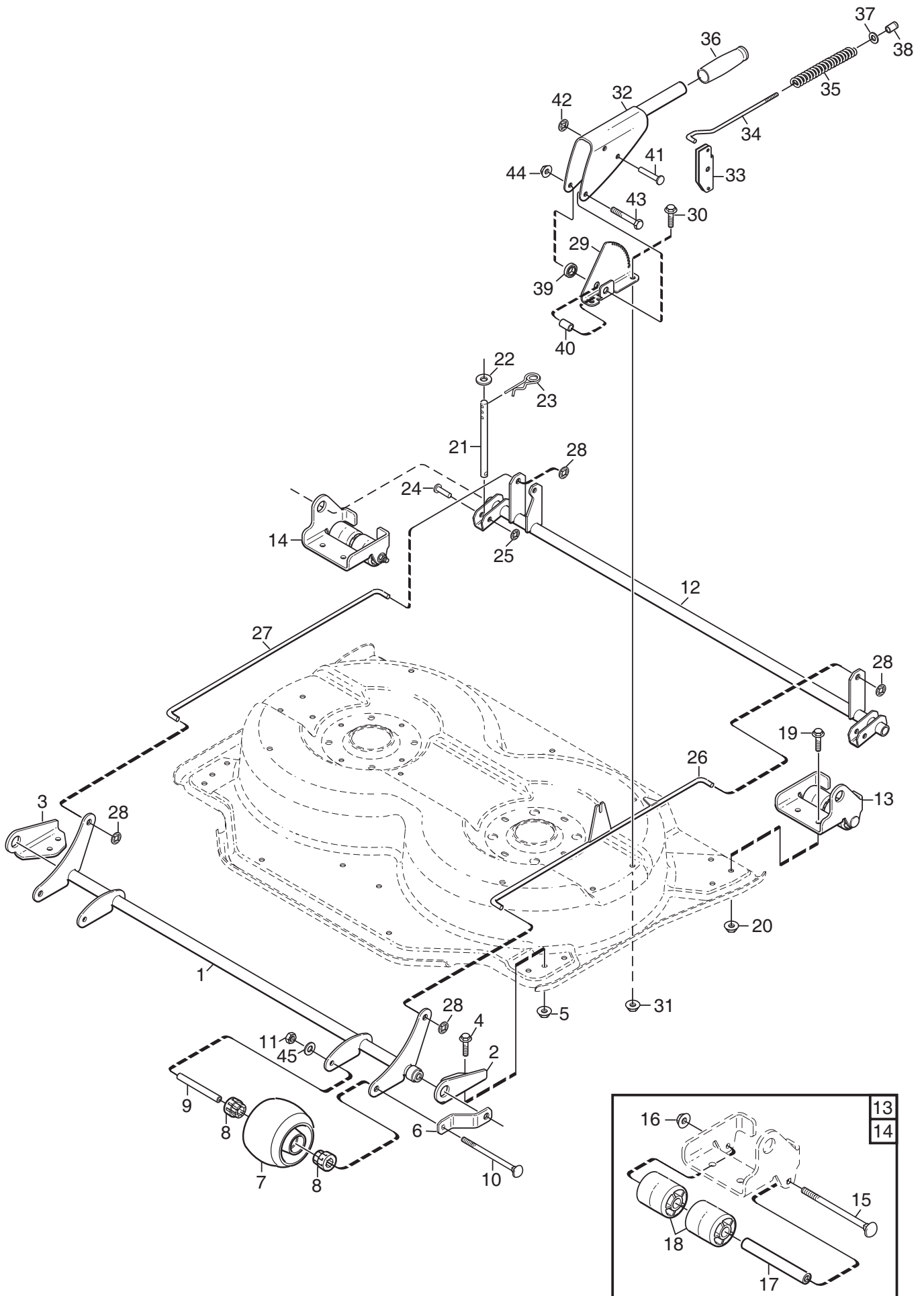
- Use GLOBAL GARDEN PRODUCT Genuine Spare Parts specified in the parts list for repair and/or replacement.
- The contents described in the parts list may change due to improvement.
- The drawings of the spare parts are only indicative and might not represent the part in question exactly.
- The indications "right" - "left" - "front" - "rear" refer to the position of the operator when using the machine.
- When placing orders of parts for repair and/or replacement, make sure that the illustrated parts list is the one applying to the machine's year of manufacture, as shown on the identification plate attached to the machine.

COPYRIGHT by GLOBAL GARDEN PRODUCTS

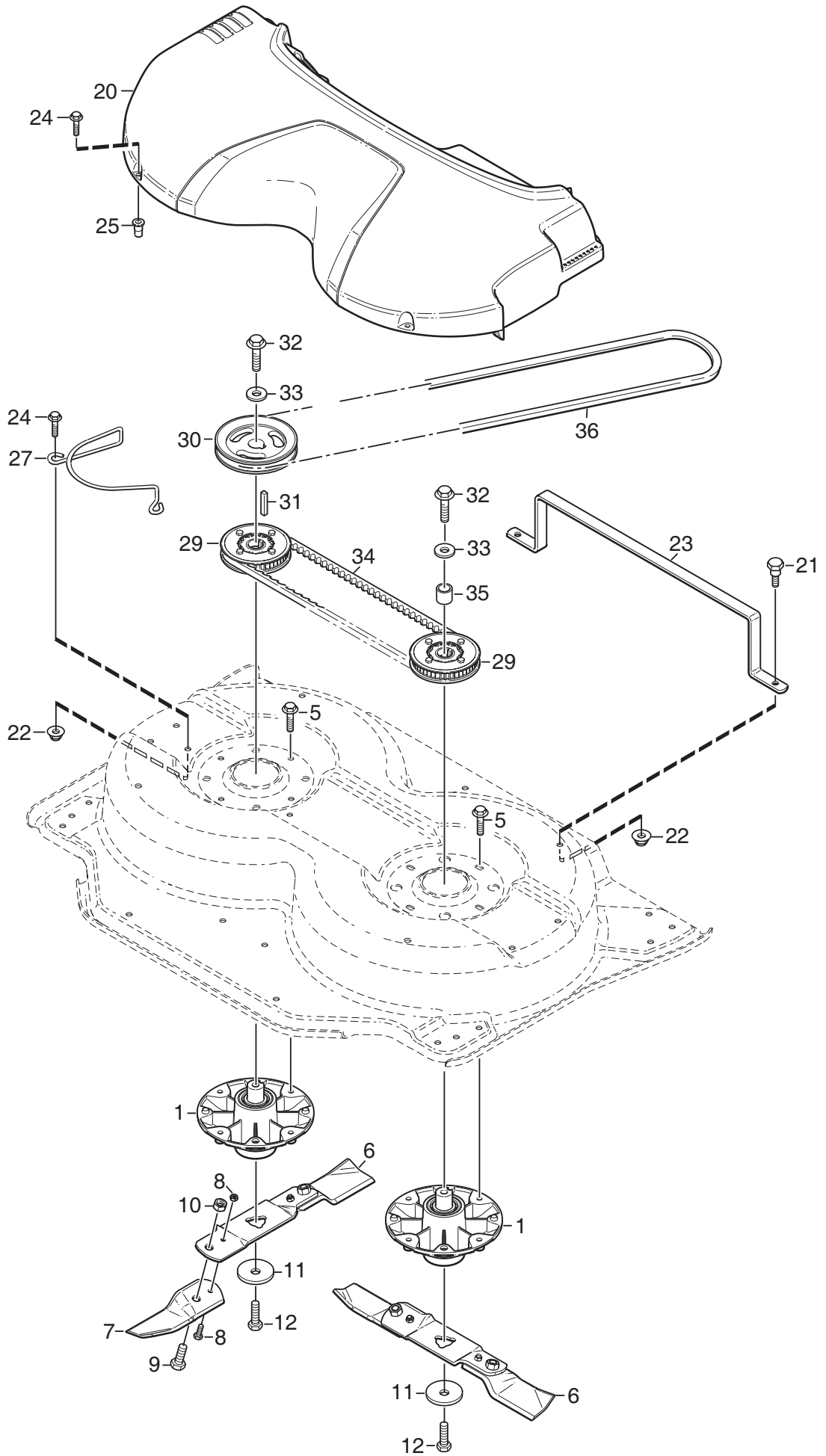
All rights reserved. No part of this material may be reproduced or transmitted, in any form or by any means, electronic or mechanical, including photocopying, recording or by any information storage and retrieval system, without permission in writing from GLOBAL GARDEN PRODUCTS.



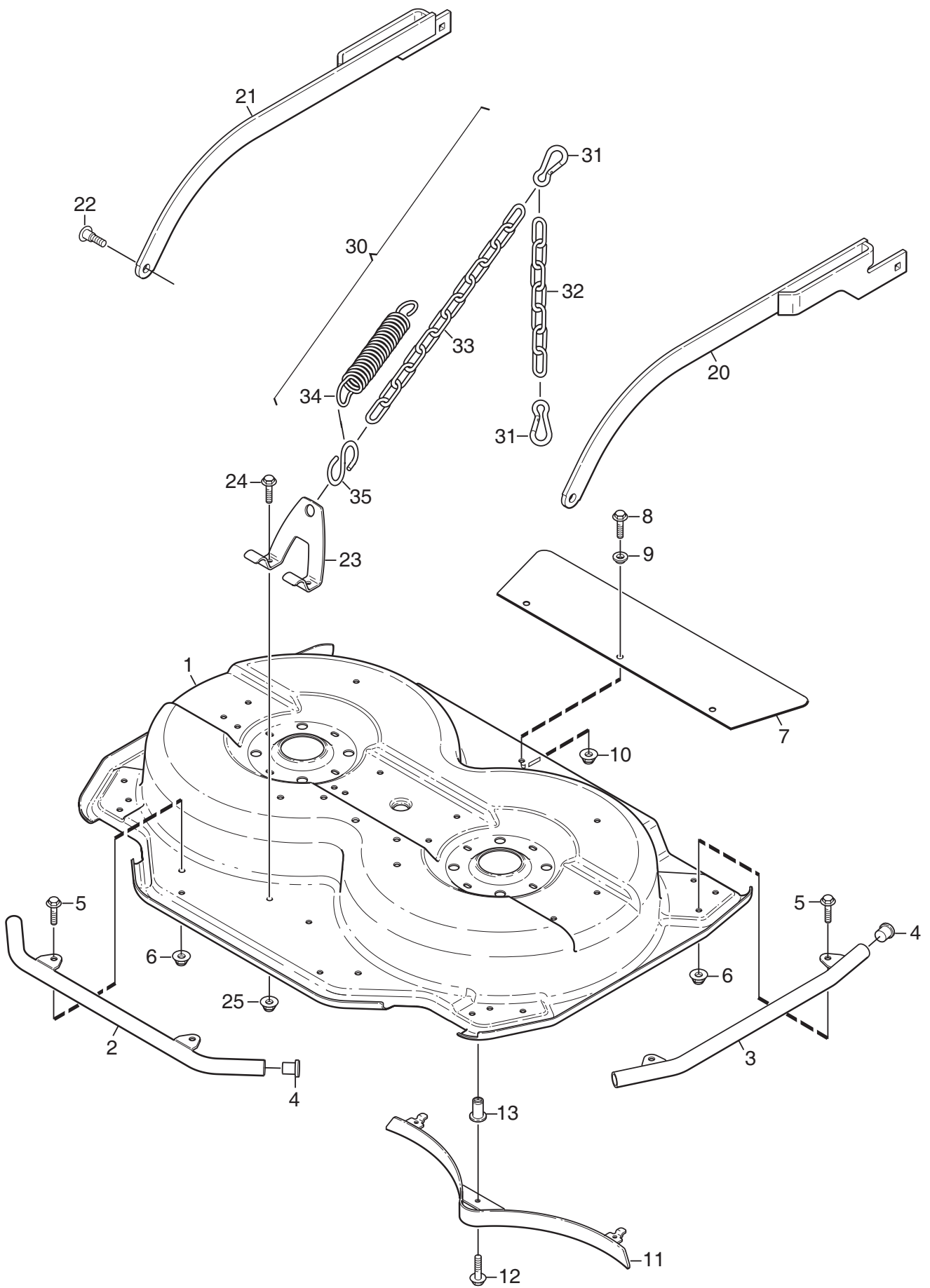
Ausgabe Issue 2009-31		Bild Nr Picture No C123		XM MÄHWERK 85C RAHMEN		XM MOWER DECK 85C FRAME		Seite Page 60	
Pos. Fig.	Anzahl/Quantity				Artikel Nr. Part No	Bezeichnung	Description	Satz Kit	Anmerkung Notes
	2960 -83								
1	1				1134-6189-03	Haube- rot.....	Casing- red.....		Pos 13 incl.
2	1				1134-6208-02	Frontschutz- schwarz.....	Front guard tube- bl. ....		
4	2				9403-0025-70	Propfen- schwarz.....	End cap- black.....		
5	2				9959-0816-16	Schraube .....	Screw.....		
6	2				9739-0831-22	Mutter .....	Nut .....		
7	1				1134-6281-01	Gummischutz .....	Rubber guard .....		
8	3				9959-0816-16	Schraube .....	Screw.....		
9	3				1134-4185-01	Flanschscheibe .....	Flange washer .....		
10	3				9739-0831-22	Mutter .....	Nut .....		
11	1				1134-6227-01	Mulchpropfen .....	Mulching plug .....		
12	1				9959-0816-16	Schraube .....	Screw.....		
13	1				1134-5595-01	• Nietmutter.....	• Riveting nut.....		
20	1				1134-6237-11	Mähwerkarm- L, schw .....	Deck arm- LH, black .....		
21	1				1134-6237-12	Mähwerkarm- R, schw .....	Deck arm- RH, black .....		
22	2				1134-6279-01	Schulterschraube.....	Shoulder bolt .....		
23	1				1134-6315-02	Hebehalter- schw .....	Lift bracket- black.....		
24	2				9959-0816-16	Schraube .....	Screw.....		
25	2				9739-0831-22	Mutter .....	Nut .....		
30	1				1134-6363-01	Hebefeder kpl .....	Lift spring assy .....		Pos 31 - 35 incl.
31	2				1134-5528-01	• Karabinerhaken .....	• Snap hook .....		
32	1				1134-6368-02	• Kette .....	• Chain .....		7 links 12 links
33	1				1134-6368-03	• Kette .....	• Chain .....		
34	1				1134-5625-01	• Mähwerkfeder.....	• Mower deck spring .....		
35	1				1134-4623-01	• S- Haken .....	• S- hook.....		
99	1				8211-7080-90	Bedienungsanleitung .....	Owner's manual .....		Not ill.



Ausgabe Issue 2009-31		Bild Nr Picture No C124		XM MÄHWERK 85C REGULIERUNGEN		XM MOWER DECK 85C CONTROLS		Seite Page 62	
Pos. Fig.	Anzahl/Quantity				Artikel Nr. Part No	Bezeichnung	Description	Satz Kit	Anmerkung Notes
	2960 -83								
1	1				1134-6275-02	Vorderachse- schwarz .....	Front axle- black.....		
2	1				1134-6214-03	Halter- L, schwarz.....	Bracket fr- LH, black.....		
3	1				1134-6214-04	Halter- R, schwarz .....	Bracket fr- RH, black .....		
4	4				9959-0816-16	Schraube .....	Screw.....		
5	4				9739-0831-22	Mutter .....	Nut .....		
6	2				1134-6278-02	Leitblech- schwarz.....	Guide- black .....		
7	2				1134-4284-01	Rad .....	Wheel.....		
8	4				1134-4319-01	Lager .....	Bearing.....		
9	2				1134-4318-01	Radachse.....	Wheel axle.....		
10	2				9897-0813-02	Schraube .....	Screw.....		
11	2				9747-0831-02	Mutter.....	Lock nut.....		
12	1				1134-6197-02	Hinterachse- schwarz .....	Rear axle- black.....		
13	1				1134-6282-01	Rollen- L, m.Halter.....	Roller- LH, w/bracket .....		Pos 15 - 18 incl. Pos 15 - 18 incl.
14	1				1134-6282-02	Rollen- R, m.Halter .....	Roller- RH, w/bracket.....		
15	1				9897-0813-02	• Schraube .....	• Screw .....		
16	1				9739-0831-22	• Mutter .....	• Nut .....		
17	1				1134-4318-01	• Radachse.....	• Wheel axle.....		
18	2				1134-6206-01	• Rollen .....	• Roller .....		
19	4				9959-0816-16	Schraube .....	Screw.....		
20	4				9739-0831-22	Mutter .....	Nut .....		
21	2				1134-6198-01	Stange .....	Stud .....		
22	2				9699-0104-02	Scheibe.....	Washer.....		
23	2				9598-2001-02	Schließnadel .....	Spring pin .....		
24	2				9646-0098-22	Niet.....	Rivet.....		
25	2				9675-0012-02	Verriegelungsscheibe .....	Locking washer.....		
26	1				1134-6249-03	Druckstange- L .....	Push rod- LH.....		
27	1				1134-6246-03	Druckstange- R.....	Push rod- RH.....		
28	4				9675-0015-02	Verriegelungsscheibe .....	Lock washer.....		
29	1				1134-6255-01	Höhenverstellsektor.....	Height adj. quadrant.....		
30	2				9959-0816-16	Schraube .....	Screw.....		
31	2				9739-0831-22	Mutter .....	Nut .....		
32	1				1134-6244-02	Höhenverst.hebel- schw .....	Height adj.lever- bl. ....		
33	1				1134-6254-01	Sperre.....	Catch.....		
34	1				1134-5444-01	Druckstange .....	Push rod .....		
35	1				1134-5445-01	Feder .....	Spring .....		
36	1				1134-5503-01	Griff .....	Handle.....		
37	1				9699-0087-02	Scheibe.....	Flat washer.....		
38	1				1134-3051-01	Sperrknopf.....	Locking knob .....		
39	1				1134-6286-03	Distanz.....	Spacer.....		
40	1				1134-1565-16	Distanz.....	Spacer.....		
41	2				9646-0105-22	Niet.....	Rivet.....		
42	2				9672-0006-02	Verriegelungsscheibe .....	Lock washer .....		
43	1				9997-0850-16	Schraube .....	Screw.....		
44	1				9747-0831-02	Mutter.....	Lock nut.....		
45	2				9699-0028-02	Scheibe.....	Flat washer.....		

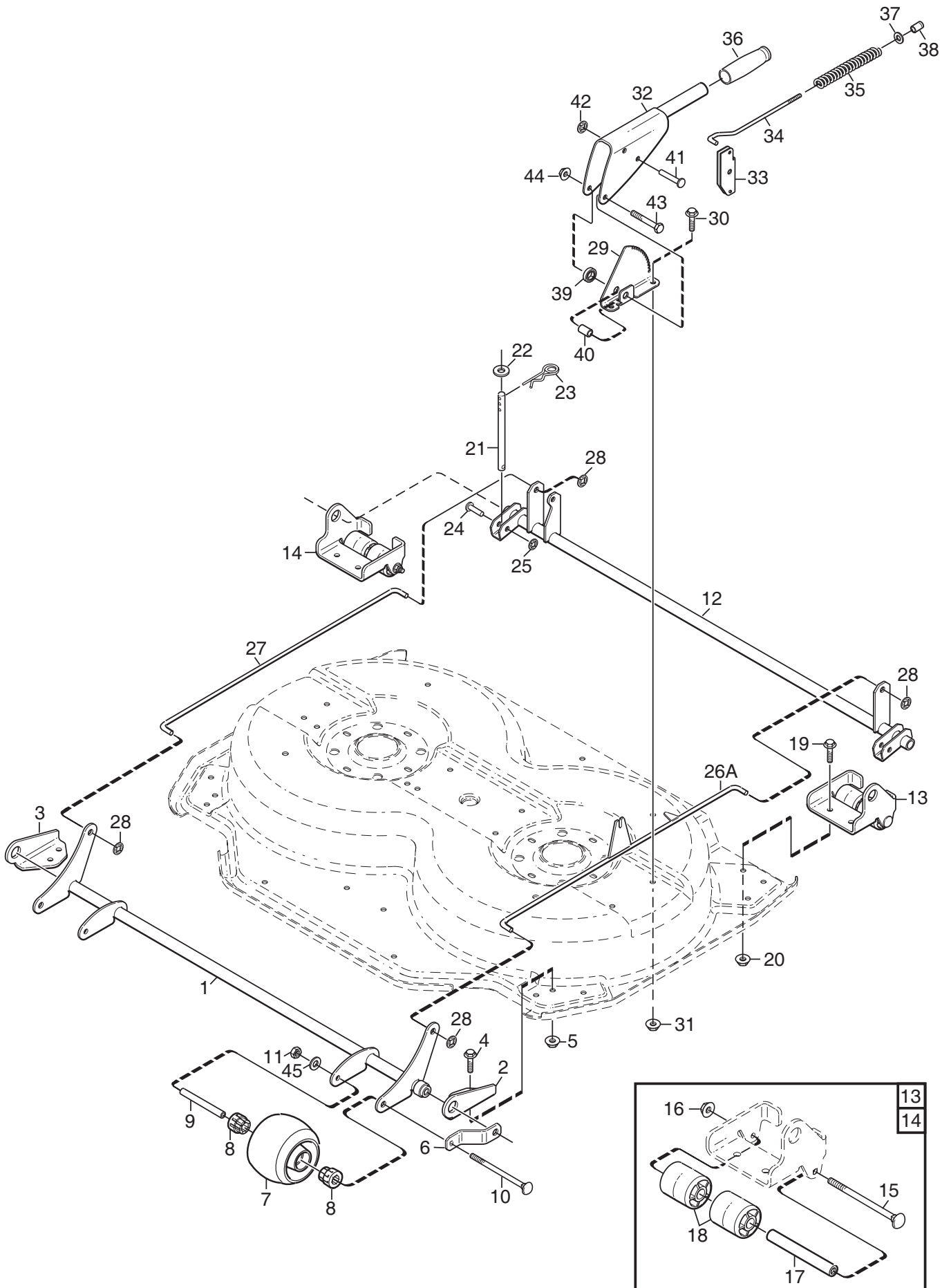


Ausgabe Issue 2009-31		Bild Nr Picture No C125A		XM MÄHWERK 85C TRANSMISSION	XM MOWER DECK 85C TRANSMISSION	Seite Page 64			
Pos. Fig.	Anzahl/Quantity				Artikel Nr. Part No	Bezeichnung	Description	Satz Kit	Anmerkung Notes
	2960 -83								
1	2			1134-5831-01	Lagerbuchse kpl .....	Bearing box assy.....			
5	8			9945-0825-16	Schraube .....	Screw .....			
6	2			1134-6240-01	Messer kpl.....	Blade bar assy.....			Pos 7 incl.
7	1			1134-9119-01	• Messersatz .....	• Blade kit .....			Pos 8 - 10 incl.
8	1			1134-9054-01	•• Scherbolzensatz.....	•• Shear bolt kit.....			
9	2			1134-6311-01	•• Bolt .....	•• Bolt.....			7/16" UNF
10	2			1134-6312-01	•• Schloßmutter .....	•• Lock nut .....			7/16" UNF
11	2			1134-6211-01	Messerscheibe.....	Blade washer.....			
12	2			9997-1060-12	Schraube .....	Screw .....			
20	1			1134-6280-03	Deckel- grau.....	Transm.cover- grey .....			
21	2			1134-0240-01	Schulter-schraube.....	Shoulder screw .....			
22	4			9739-0831-22	Mutter .....	Nut .....			
23	1			1134-6423-01	Bügel .....	Bracket .....			
24	4			9945-0825-16	Schraube .....	Screw .....			
25	2			1134-5595-01	Nietmutter .....	Riveting nut.....			
27	1			1134-6429-01	Riemenführung.....	Belt guide .....			
29	2			1134-6287-01	Zahnriemenscheibe .....	Toothed belt pulley .....			
30	1			1134-6201-01	Riemenscheibe .....	Belt pulley .....			Ø = 154 mm
31	1			9600-0168-01	Keil .....	Key .....			
32	2			9997-1060-12	Schraube .....	Screw .....			
33	2			1134-5406-01	Scheibe.....	Washer.....			
34	1			9585-0161-01	Zahnriemen .....	Toothed belt .....			
35	1			1134-5400-04	Distanz.....	Spacer.....			
36	1			9585-0154-01	Keilriemen .....	V- belt.....			

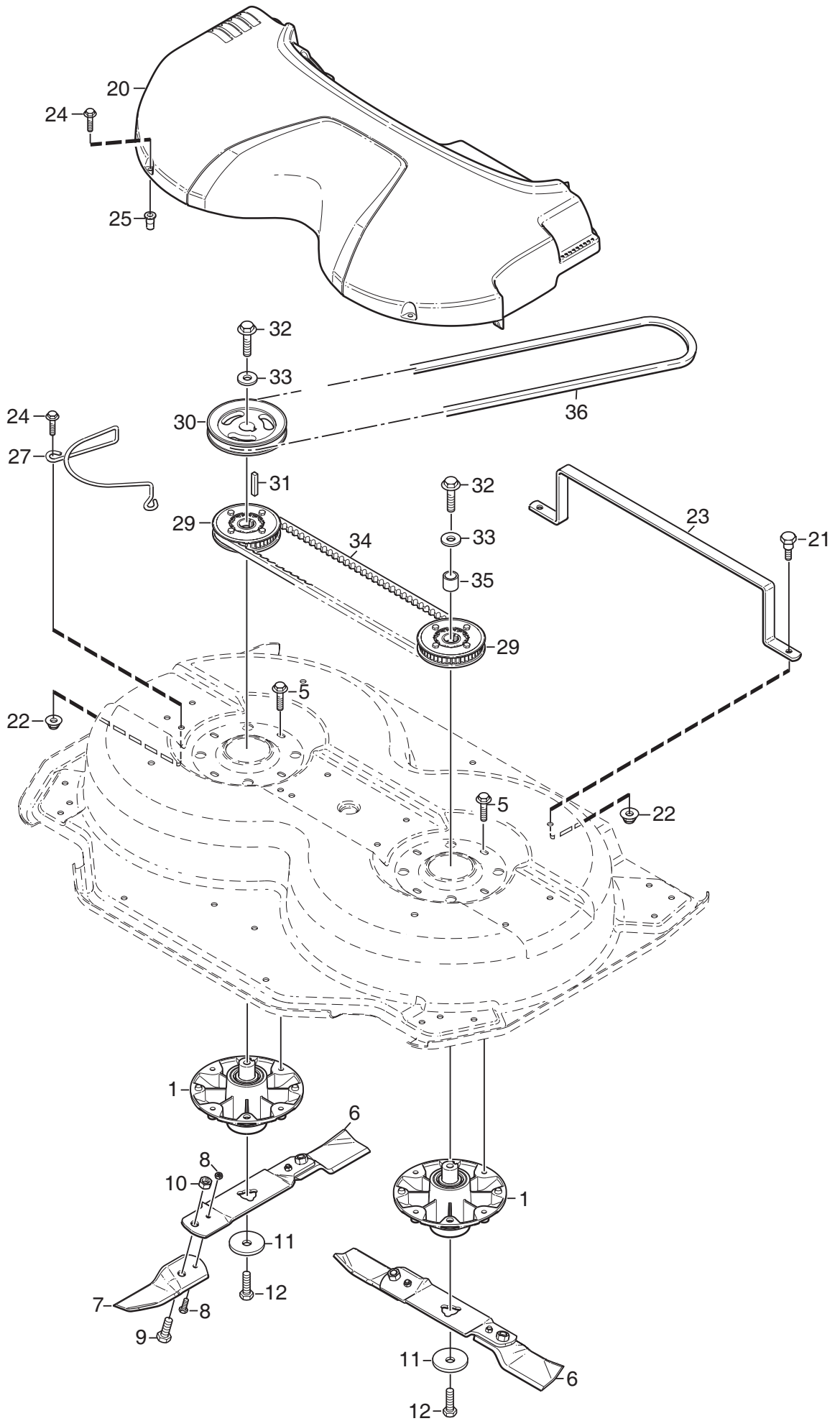




Ausgabe Issue 2009-31		Bild Nr Picture No C126		XM MÄHWERK 95C RAHMEN		XM MOWER DECK 95C FRAME		Seite Page 66		
Pos. Fig.	Anzahl/Quantity				Artikel Nr. Part No	Bezeichnung	Description	Satz Kit	Anmerkung Notes	
	2963 -83									
1	1				1134-6190-03	Haube- rot.....	Casing- red.....		Pos 13 incl.	
2	1				1134-6208-02	Frontschutz- schwarz.....	Front guard tube- bl. ....			
3	2				1134-6222-02	Seitenschutz- schwarz .....	Side guard tube- black .....			
4	6				9403-0025-70	Propfen- schwarz.....	End cap- black.....			
5	6				9959-0816-16	Schraube .....	Screw .....			
6	6				9739-0831-22	Mutter .....	Nut .....			
7	1				1134-6281-02	Gummischutz .....	Rubber guard .....			
8	3				9959-0816-16	Schraube .....	Screw .....			
9	3				1134-4185-01	Flanschscheibe .....	Flange washer .....			
10	3				9739-0831-22	Mutter .....	Nut .....			
11	1				1134-6229-01	Mulchpropfen .....	Mulching plug .....			
12	1				9959-0816-16	Schraube .....	Screw .....			
13	1				1134-5595-01	• Nietmutter.....	• Riveting nut.....			
20	1				1134-6237-09	Mähwerkarm- L, schw .....	Deck arm- LH, black.....			
21	1				1134-6237-10	Mähwerkarm- R, schw.....	Deck arm- RH, black .....			
22	2				1134-6279-01	Schulterschraube.....	Shoulder bolt .....			
23	1				1134-6315-02	Hebehalter- schw .....	Lift bracket- black.....			
24	2				9959-0816-16	Schraube .....	Screw .....			
25	2				9739-0831-22	Mutter .....	Nut .....			
30	1				1134-6363-01	Hebefeder kpl .....	Lift spring assy .....			
31	2				1134-5528-01	• Karabinerhaken.....	• Snap hook.....	Pos 31 - 35 incl.		
32	1				1134-6368-02	• Kette .....	• Chain .....			7 links 12 links
33	1				1134-6368-03	• Kette .....	• Chain .....			
34	1				1134-5625-01	• Mähwerkfeder.....	• Mower deck spring .....			
35	1				1134-4623-01	• S- Haken .....	• S- hook.....			
99	1				8211-7080-90	Bedienungsanleitung .....	Owner's manual .....	Not ill.		

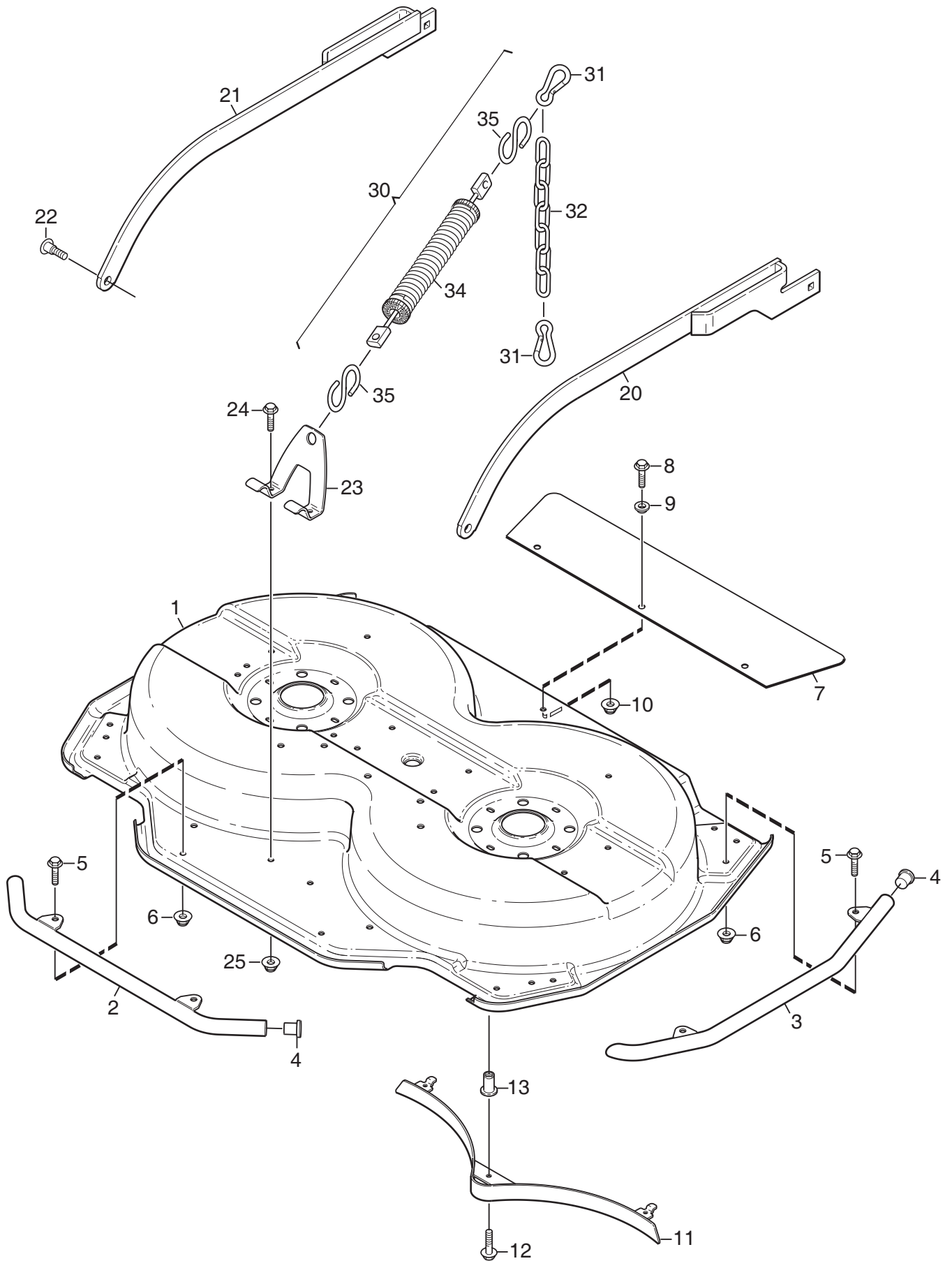


Ausgabe Issue 2009-31		Bild Nr Picture No C127		XM MÄHWERK 95C REGULIERUNGEN		XM MOWER DECK 95C CONTROLS		Seite Page 68	
Pos. Fig.	Anzahl/Quantity				Artikel Nr. Part No	Bezeichnung	Description	Satz Kit	Anmerkung Notes
	2963 -83								
1	1				1134-6275-02	Vorderachse- schwarz .....	Front axle- black.....		
2	1				1134-6214-03	Halter- L, schwarz.....	Bracket fr- LH, black.....		
3	1				1134-6214-04	Halter- R, schwarz .....	Bracket fr- RH, black .....		
4	4				9959-0816-16	Schraube .....	Screw.....		
5	4				9739-0831-22	Mutter .....	Nut .....		
6	2				1134-6278-02	Leitblech- schwarz.....	Guide- black .....		
7	2				1134-4284-01	Rad .....	Wheel.....		
8	4				1134-4319-01	Lager .....	Bearing.....		
9	2				1134-4318-01	Radachse.....	Wheel axle.....		
10	2				9897-0813-22	Schraube .....	Screw.....		
11	2				9747-0831-02	Mutter.....	Lock nut.....		
12	1				1134-6197-02	Hinterachse- schwarz .....	Rear axle- black.....		
13	1				1134-6282-01	Rollen- L, m.Halter.....	Roller- LH, w/bracket .....		Pos 15 - 18 incl. Pos 15 - 18 incl.
14	1				1134-6282-02	Rollen- R, m.Halter .....	Roller- RH, w/bracket.....		
15	1				9897-0813-02	• Schraube .....	• Screw .....		
16	1				9739-0831-22	• Mutter .....	• Nut .....		
17	1				1134-4318-01	• Radachse.....	• Wheel axle.....		
18	2				1134-6206-01	• Rollen .....	• Roller .....		
19	4				9959-0816-16	Schraube .....	Screw.....		
20	4				9739-0831-22	Mutter .....	Nut .....		
21	2				1134-6198-01	Stange .....	Stud .....		
22	2				9699-0104-02	Scheibe.....	Washer.....		
23	2				9598-2001-02	Schließnadel .....	Spring pin .....		
24	2				9646-0098-22	Niet.....	Rivet.....		
25	2				9675-0012-02	Verriegelungsscheibe .....	Locking washer.....		
26 A	1				1134-6249-02	Druckstange- L .....	Push rod- LH.....		
27	1				1134-6246-02	Druckstange- R.....	Push rod- RH.....		
28	4				9675-0015-02	Verriegelungsscheibe .....	Lock washer.....		
29	1				1134-6255-01	Höhenverstellsektor.....	Height adj. quadrant.....		
30	2				9959-0816-16	Schraube .....	Screw.....		
31	2				9739-0831-22	Mutter .....	Nut .....		
32	1				1134-6244-02	Höhenverst.hebel- schw .....	Height adj.lever- bl. ....		
33	1				1134-6254-01	Sperre.....	Catch.....		
34	1				1134-5444-01	Druckstange .....	Push rod .....		
35	1				1134-5445-01	Feder .....	Spring .....		
36	1				1134-5503-01	Griff .....	Handle.....		
37	1				9699-0087-02	Scheibe.....	Flat washer.....		
38	1				1134-3051-01	Sperrknopf.....	Locking knob .....		
39	1				1134-6286-03	Distanz.....	Spacer.....		
40	1				1134-1565-16	Distanz.....	Spacer.....		
41	2				9646-0105-22	Niet.....	Rivet.....		
42	2				9672-0006-02	Verriegelungsscheibe .....	Lock washer .....		
43	1				9997-0850-16	Schraube .....	Screw.....		
44	1				9747-0831-02	Mutter.....	Lock nut.....		
45	2				9699-0028-02	Scheibe.....	Flat washer.....		

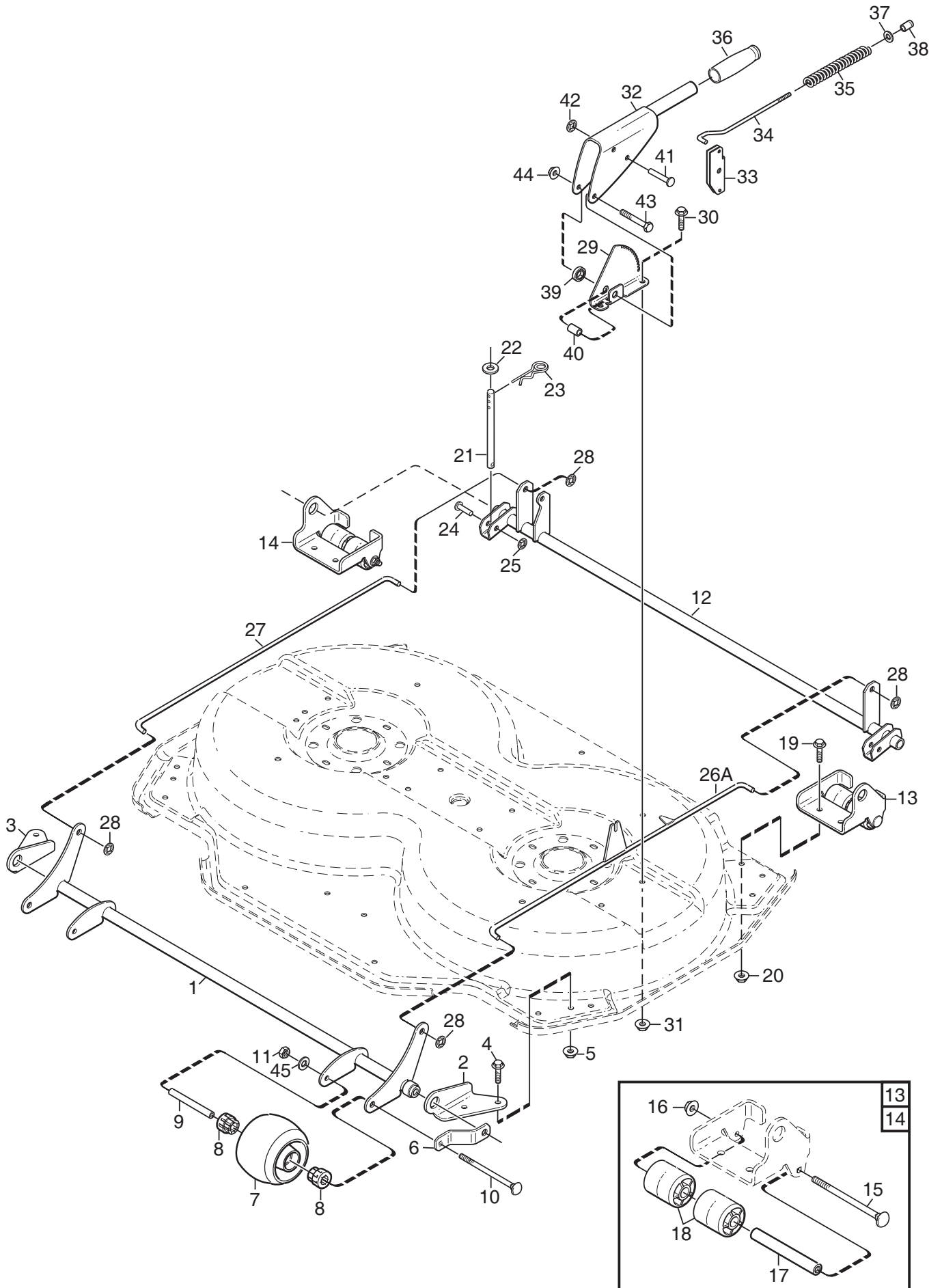


C128A

Ausgabe Issue 2009-31		Bild Nr Picture No C128A		XM MÄHWERK 95C TRANSMISSION	XM MOWER DECK 95C TRANSMISSION	Seite Page 70			
Pos. Fig.	Anzahl/Quantity				Artikel Nr. Part No	Bezeichnung	Description	Satz Kit	Anmerkung Notes
	2963 -83								
1	2			1134-5831-01	Lagerbuchse kpl .....	Bearing box assy.....			
5	8			9945-0825-16	Schraube .....	Screw .....			
6	2			1134-6240-02	Messer kpl.....	Blade bar assy.....			Pos 7 incl.
7	1			1134-9119-01	• Messersatz .....	• Blade kit .....			Pos 8 - 10 incl.
8	1			1134-9054-01	•• Scherbolzensatz.....	•• Shear bolt kit.....			
9	2			1134-6311-01	•• Bolt .....	•• Bolt.....			7/16" UNF
10	2			1134-6312-01	•• Schloßmutter .....	•• Lock nut .....			7/16" UNF
11	2			1134-6211-01	Messerscheibe.....	Blade washer.....			
12	2			9997-1060-12	Schraube .....	Screw .....			
20	1			1134-6280-03	Deckel- grau.....	Transm.cover- grey .....			
21	2			1134-0240-01	Schulter-schraube.....	Shoulder screw .....			
22	4			9739-0831-22	Mutter .....	Nut .....			
23	1			1134-6423-01	Bügel .....	Bracket .....			
24	4			9945-0825-16	Schraube .....	Screw .....			
25	2			1134-5595-01	Nietmutter .....	Riveting nut.....			
27	1			1134-6429-01	Riemenführung.....	Belt guide .....			
29	2			1134-6287-01	Zahnriemenscheibe .....	Toothed belt pulley .....			
30	1			1134-6202-01	Riemenscheibe .....	Belt pulley .....			Ø = 161 mm
31	1			9600-0168-01	Keil .....	Key .....			
32	2			9997-1060-12	Schraube .....	Screw .....			
33	2			1134-5406-01	Scheibe.....	Washer.....			
34	1			9585-0162-01	Zahnriemen .....	Toothed belt .....			
35	1			1134-5400-04	Distanz.....	Spacer.....			
36	1			9585-0127-01	Keilriemen .....	V- belt.....			

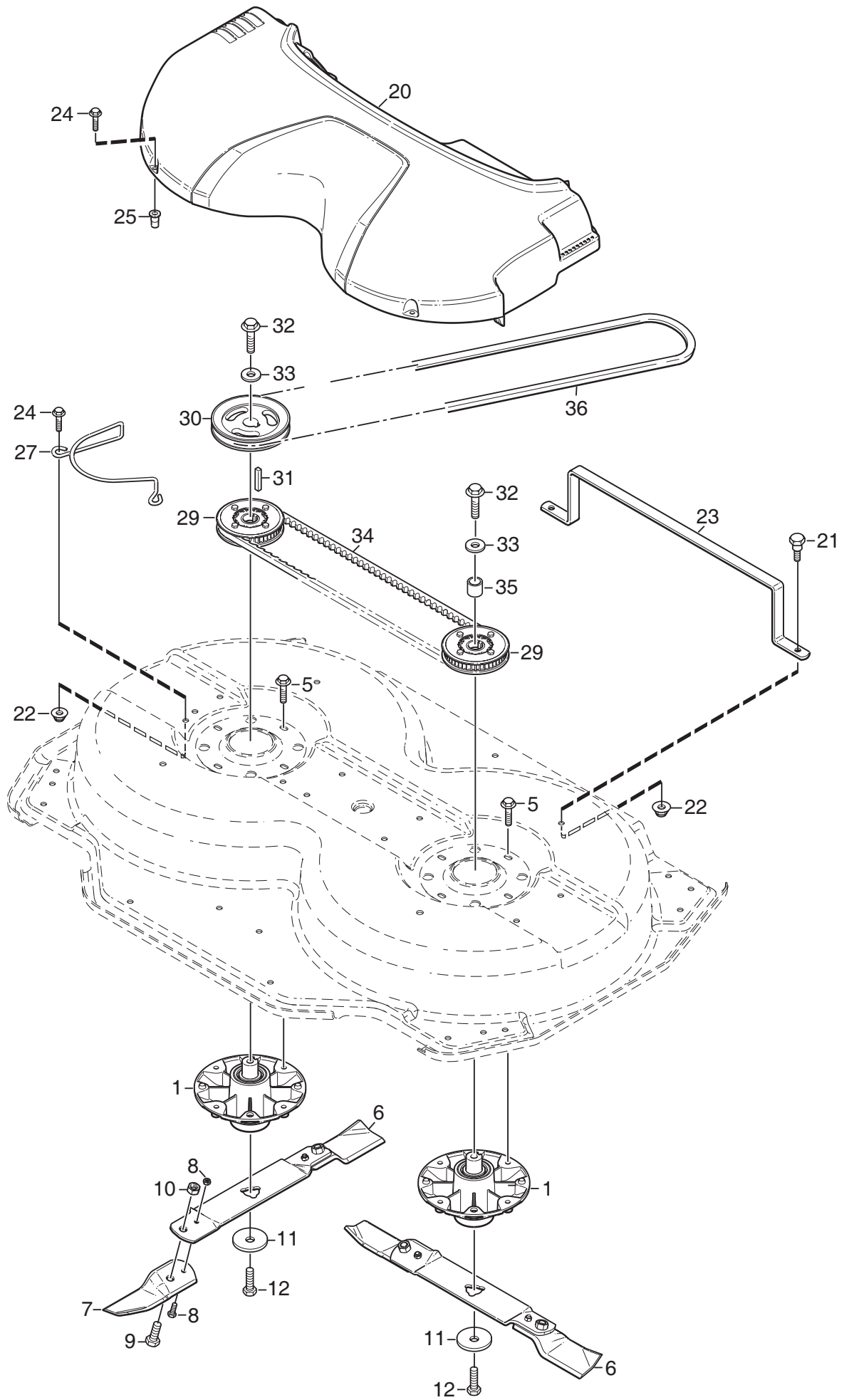


Ausgabe Issue 2009-31		Bild Nr Picture No C179		XM MÄHWERK 105C RAHMEN		XM MOWER DECK 105C FRAME		Seite Page 72	
Pos. Fig.	Anzahl/Quantity				Artikel Nr. Part No	Bezeichnung	Description	Satz Kit	Anmerkung Notes
	2970 -83								
1	1				1134-6191-03	Haube- rot.....	Casing- red.....		Pos 13 incl.
2	1				1134-6208-02	Frontschutz- schwarz.....	Front guard tube- bl. ....		
3	2				1134-6223-02	Seitenschutz- schwarz .....	Side guard tube- black .....		
4	4				9403-0025-70	Propfen- schwarz.....	End cap- black.....		
5	6				9959-0816-16	Schraube .....	Screw .....		
6	6				9739-0831-22	Mutter .....	Nut .....		
7	1				1134-6281-03	Gummischutz .....	Rubber guard .....		
8	3				9959-0816-16	Schraube .....	Screw .....		
9	3				1134-4185-01	Flanschscheibe .....	Flange washer .....		
10	3				9739-0831-22	Mutter .....	Nut .....		
11	1				1134-6231-01	Mulchpropfen .....	Mulching plug .....		
12	1				9959-0816-16	Schraube .....	Screw .....		
13	1				1134-5595-01	• Nietmutter.....	• Riveting nut.....		
20	1				1134-6237-07	Mähwerkarm- L, schw .....	Deck arm- LH, black.....		
21	1				1134-6237-08	Mähwerkarm- R, schw.....	Deck arm- RH, black .....		
22	2				1134-6279-01	Schulter-schraube.....	Shoulder bolt .....		
23	1				1134-6315-02	Hebehalter- schw .....	Lift bracket- black.....		
24	2				9959-0816-16	Schraube .....	Screw .....		
25	2				9739-0831-22	Mutter .....	Nut .....		
30	1				1134-6425-01	Hebefeder kpl .....	Lift spring assy .....	Pos 31 - 35 incl.	
31	2				1134-5528-01	• Karabinerhaken.....	• Snap hook.....		
32	1				1134-6368-02	• Kette .....	• Chain .....	7 links	
34	1				1134-6365-03	• Hebefeder .....	• Lift spring.....		
35	2				1134-4623-01	• S- Haken .....	• S- hook.....		
99	1				8211-7080-90	Bedienungsanleitung .....	Owner's manual .....	Not ill.	





Ausgabe Issue 2009-31		Bild Nr Picture No C131		XM MÄHWERK 105C REGULIERUNGEN		XM MOWER DECK 105C CONTROLS		Seite Page 74	
Pos. Fig.	Anzahl/Quantity				Artikel Nr. Part No	Bezeichnung	Description	Satz Kit	Anmerkung Notes
	2970 -83								
1	1				1134-6275-02	Vorderachse- schwarz .....	Front axle- black.....		
2	1				1134-6215-03	Halter- L, schwarz.....	Bracket fr- LH, black.....		
3	1				1134-6215-04	Halter- R, schwarz .....	Bracket fr- RH, black .....		
4	4				9959-0816-16	Schraube .....	Screw.....		
5	4				9739-0831-22	Mutter .....	Nut .....		
6	2				1134-6278-02	Leitblech- schwarz.....	Guide- black .....		
7	2				1134-4284-01	Rad .....	Wheel.....		
8	4				1134-4319-01	Lager .....	Bearing.....		
9	2				1134-4318-01	Radachse.....	Wheel axle.....		
10	2				9897-0813-02	Schraube .....	Screw.....		
11	2				9747-0831-02	Mutter.....	Lock nut.....		
12	1				1134-6197-02	Hinterachse- schwarz .....	Rear axle- black.....		
13	1				1134-6282-01	Rollen- L, m.Halter.....	Roller- LH, w/bracket .....		Pos 15 - 18 incl.
14	1				1134-6282-02	Rollen- R, m.Halter .....	Roller- RH, w/bracket.....		Pos 15 - 18 incl.
15	1				9897-0813-02	• Schraube .....	• Screw .....		
16	1				9739-0831-22	• Mutter .....	• Nut .....		
17	1				1134-4318-01	• Radachse.....	• Wheel axle.....		
18	2				1134-6206-01	• Rollen .....	• Roller .....		
19	4				9959-0816-16	Schraube .....	Screw.....		
20	4				9739-0831-22	Mutter .....	Nut .....		
21	2				1134-6198-01	Stange .....	Stud .....		
22	2				9699-0104-02	Scheibe.....	Washer.....		
23	2				9598-2001-02	Schließnadel .....	Spring pin .....		
24	2				9646-0098-22	Niet.....	Rivet.....		
25	2				9675-0012-02	Verriegelungsscheibe .....	Locking washer.....		
26 A	1				1134-6249-01	Druckstange- L .....	Push rod- LH.....		
27	1				1134-6246-01	Druckstange- R.....	Push rod- RH.....		
28	4				9675-0015-02	Verriegelungsscheibe .....	Lock washer.....		
29	1				1134-6255-01	Höhenverstellsektor.....	Height adj. quadrant.....		
30	2				9959-0816-16	Schraube .....	Screw.....		
31	2				9739-0831-22	Mutter .....	Nut .....		
32	1				1134-6244-02	Höhenverst.hebel- schw .....	Height adj.lever- bl. ....		
33	1				1134-6254-01	Sperre.....	Catch.....		
34	1				1134-5444-01	Druckstange .....	Push rod .....		
35	1				1134-5445-01	Feder .....	Spring .....		
36	1				1134-5503-01	Griff .....	Handle.....		
37	1				9699-0087-02	Scheibe.....	Flat washer.....		
38	1				1134-3051-01	Sperrknopf.....	Locking knob .....		
39	1				1134-6286-03	Distanz.....	Spacer.....		
40	1				1134-1565-16	Distanz.....	Spacer.....		
41	2				9646-0105-22	Niet.....	Rivet.....		
42	2				9672-0006-02	Verriegelungsscheibe .....	Lock washer .....		
43	1				9997-0850-16	Schraube .....	Screw.....		
44	1				9747-0831-02	Mutter.....	Lock nut.....		
45	2				9699-0028-02	Scheibe.....	Flat washer.....		



C180A

Ausgabe Issue 2009-31		Bild Nr Picture No C180A		XM MÄHWERK 105C TRANSMISSION	XM MOWER DECK 105C TRANSMISSION	Seite Page 76			
Pos. Fig.	Anzahl/Quantity				Artikel Nr. Part No	Bezeichnung	Description	Satz Kit	Anmerkung Notes
	2970 -83								
1	2			1134-5831-01	Lagerbuchse kpl .....	Bearing box assy.....			
5	8			9945-0825-16	Schraube .....	Screw .....			
6	2			1134-6240-03	Messer kpl.....	Blade bar assy.....			Pos 7 incl.
7	1			1134-9119-01	• Messersatz .....	• Blade kit .....			Pos 8 - 10 incl.
8	1			1134-9054-01	•• Scherbolzensatz.....	•• Shear bolt kit.....			
9	2			1134-6311-01	•• Bolt .....	•• Bolt.....			7/16" UNF
10	2			1134-6312-01	•• Schloßmutter .....	•• Lock nut .....			7/16" UNF
11	2			1134-6211-01	Messerscheibe.....	Blade washer.....			
12	2			9997-1060-12	Schraube .....	Screw.....			
20	1			1134-6280-03	Deckel- grau.....	Transm.cover- grey .....			
21	2			1134-0240-01	Schulter-schraube.....	Shoulder screw .....			
22	4			9739-0831-22	Mutter .....	Nut .....			
23	1			1134-6423-01	Bügel .....	Bracket .....			
24	4			9945-0825-16	Schraube .....	Screw .....			
25	2			1134-5595-01	Nietmutter .....	Riveting nut.....			
27	1			1134-6429-01	Riemenführung.....	Belt guide .....			
29	2			1134-6287-01	Zahnriemenscheibe .....	Toothed belt pulley .....			
30	1			1134-6200-01	Riemenscheibe .....	Belt pulley .....			Ø = 168 mm
31	1			9600-0168-01	Keil .....	Key .....			
32	2			9997-1060-12	Schraube .....	Screw .....			
33	2			1134-5406-01	Scheibe.....	Washer.....			
34	1			9585-0163-01	Zahnriemen .....	Toothed belt .....			
35	1			1134-5400-04	Distanz.....	Spacer.....			
36	1			9585-0146-01	Keilriemen .....	V- belt.....			