



Green Passion

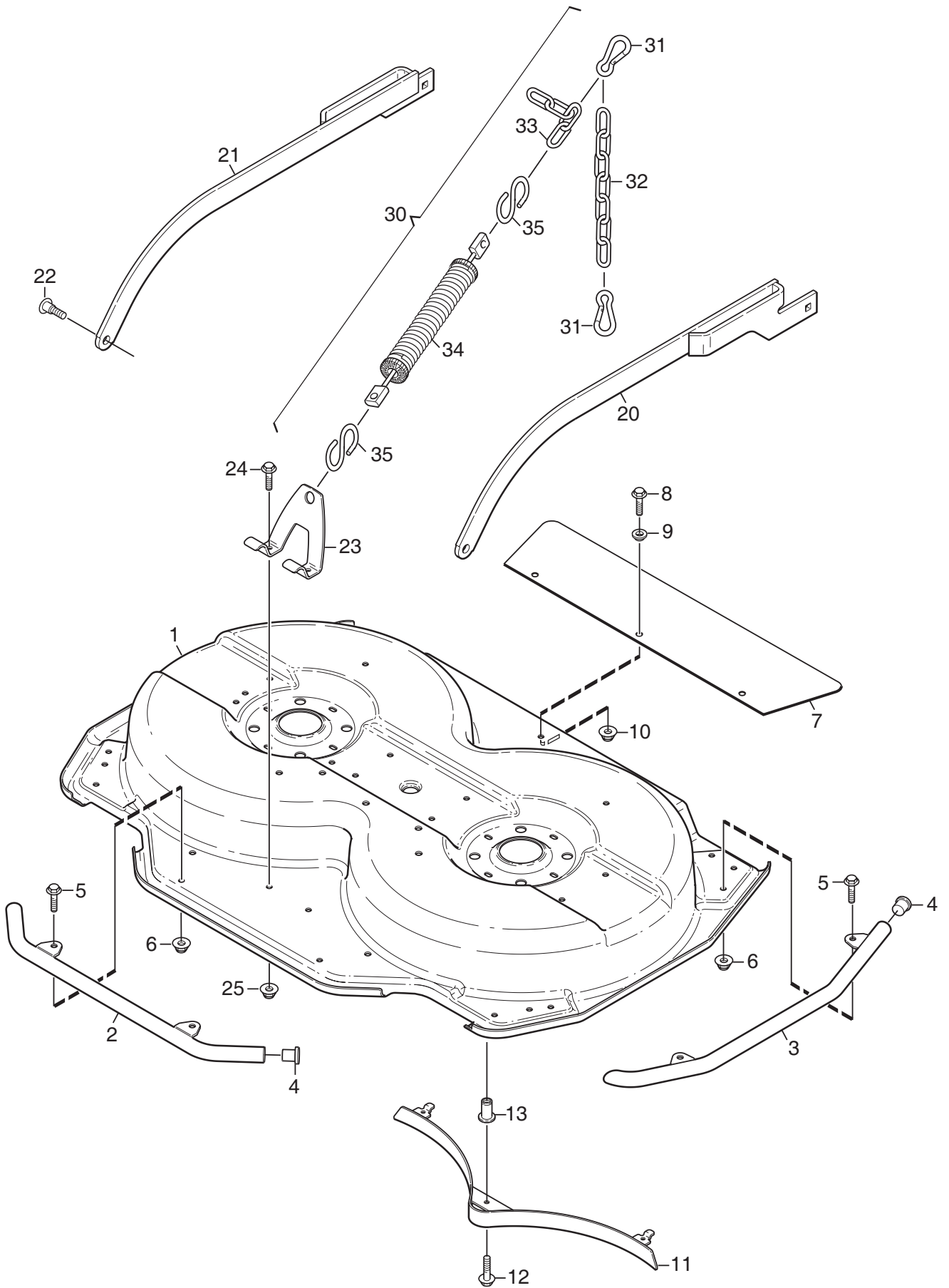
Illustrated Parts List

XK Mower Deck 105C
Model Year 2011

- Use GLOBAL GARDEN PRODUCT Genuine Spare Parts specified in the parts list for repair and/or replacement.
- The contents described in the parts list may change due to improvement.
- The drawings of the spare parts are only indicative and might not represent the part in question exactly.
- The indications "right" - "left" - "front" - "rear" refer to the position of the operator when using the machine.
- When placing orders of parts for repair and/or replacement, make sure that the illustrated parts list is the one applying to the machine's year of manufacture, as shown on the identification plate attached to the machine.

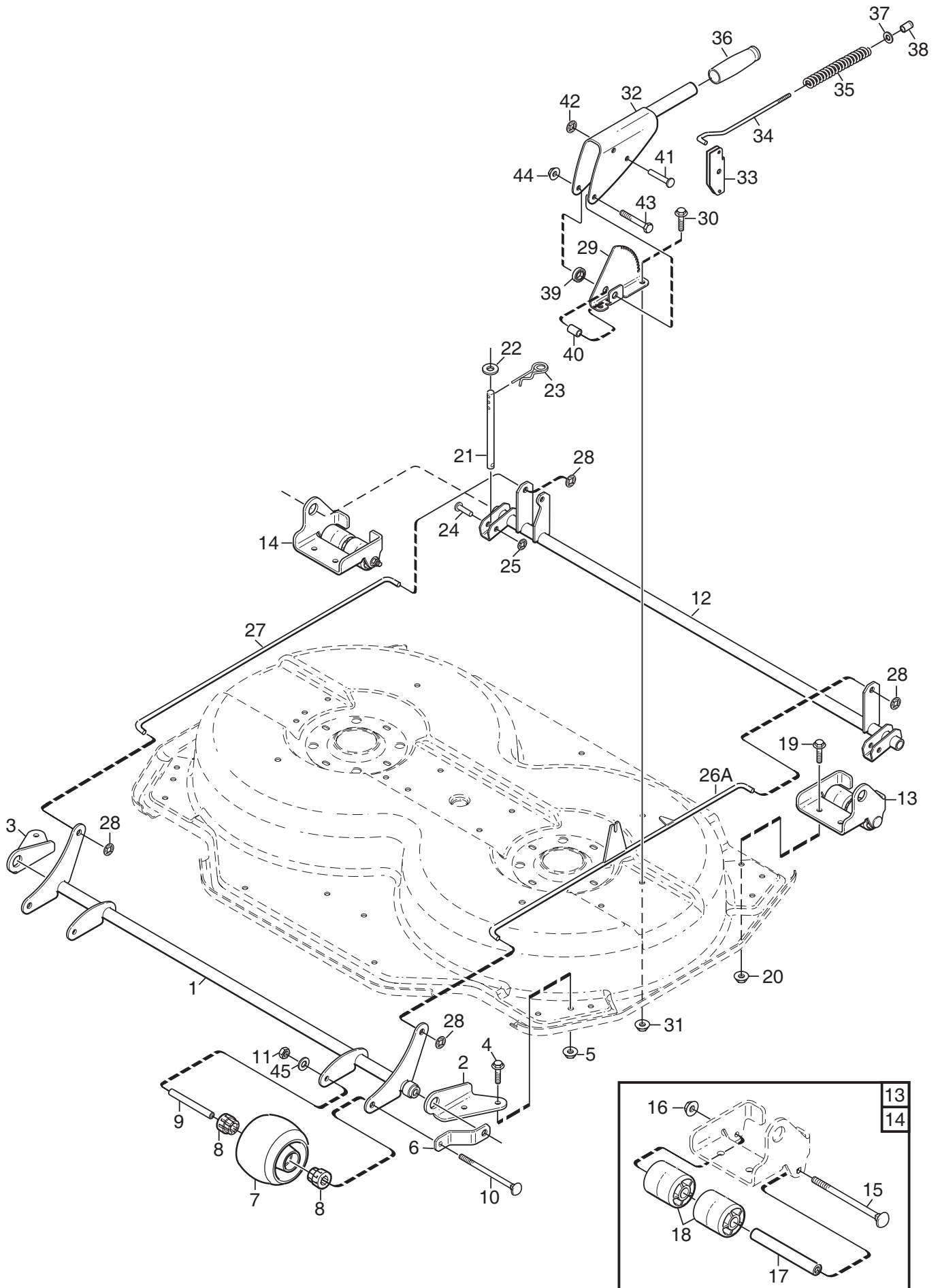
COPYRIGHT by GLOBAL GARDEN PRODUCTS

All rights reserved. No part of this material may be reproduced or transmitted, in any form or by any means, electronic or mechanical, including photocopying, recording or by any information storage and retrieval system, without permission in writing from GLOBAL GARDEN PRODUCTS.



Ausgabe Issue 2011-31		Bild Nr Picture No 2135A		XK MÄHWERK 105C RAHMEN		XK MOWER DECK 105C FRAME		Seite Page 134	
Pos. Fig.	Anzahl/Quantity				Artikel Nr. Part No	Bezeichnung	Description	Satz Kit	Anmerkung Notes
	2972 -74								
1	1				1134-6191-03	Haube- rot.....	Casing- red.....		Pos 13 (3 pcs) incl.
2	1				1134-6208-02	Frontschutz- schwarz.....	Front guard tube- bl.		
3	2				1134-6223-02	Seitenschutz- schwarz	Side guard tube- black		
4	4				9403-0025-70	Propfen- schwarz.....	End cap- black.....		
5	6				9959-0816-16	Schraube	Screw		
6	6				9739-0831-22	Mutter	Nut		
7	1				1134-6281-03	Gummischutz	Rubber guard		
8	3				9959-0816-16	Schraube	Screw		
9	3				1134-4185-01	Flanschscheibe	Flange washer		
10	3				9739-0831-22	Mutter	Nut		
11	1				1134-6231-01	Mulchpropfen	Mulching plug		
12	1				9959-0816-16	Schraube	Screw		
13	3				1134-5595-01	• Nietmutter.....	• Riveting nut.....		
20	1				1134-6237-07	Mähwerkarm- L, schw	Deck arm- LH, black.....		
21	1				1134-6237-08	Mähwerkarm- R, schw.....	Deck arm- RH, black		
22	2				1134-6279-01	Schulter-schraube.....	Shoulder bolt		
23	1				1134-6315-02	Hebehalter- schw	Lift bracket- black.....		
24	2				9959-0816-16	Schraube	Screw		
25	2				9739-0831-22	Mutter	Nut		
30	1				1134-6362-01	Hebefeder kpl	Lift spring assy	Pos 31 - 35 incl.	
31	2				1134-5528-01	• Karabinerhaken.....	• Snap hook.....		
32	1				1134-6368-02	• Kette	• Chain	7 links	
33	1				1134-6368-01	• Kette	• Chain	4 links	
34	1				1134-6365-03	• Hebefeder	• Lift spring.....		
35	2				1134-4623-01	• S- Haken	• S- hook.....		
99	1				8211-7080-10	Bedienungsanleitung	Owner's manual	Not ill.	

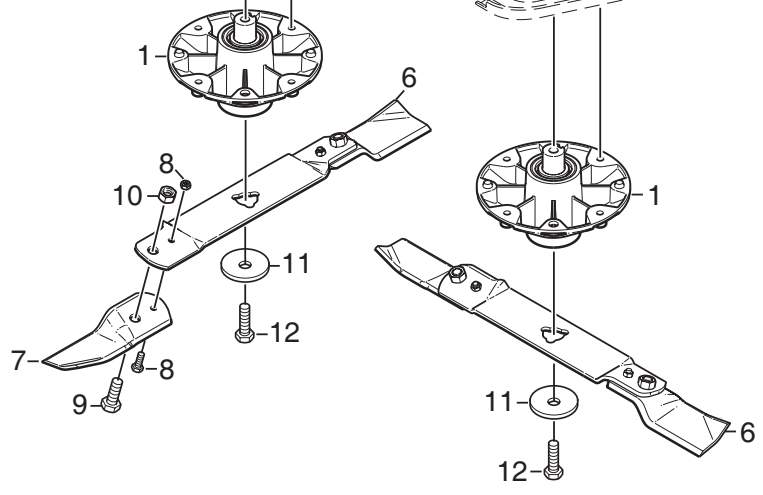
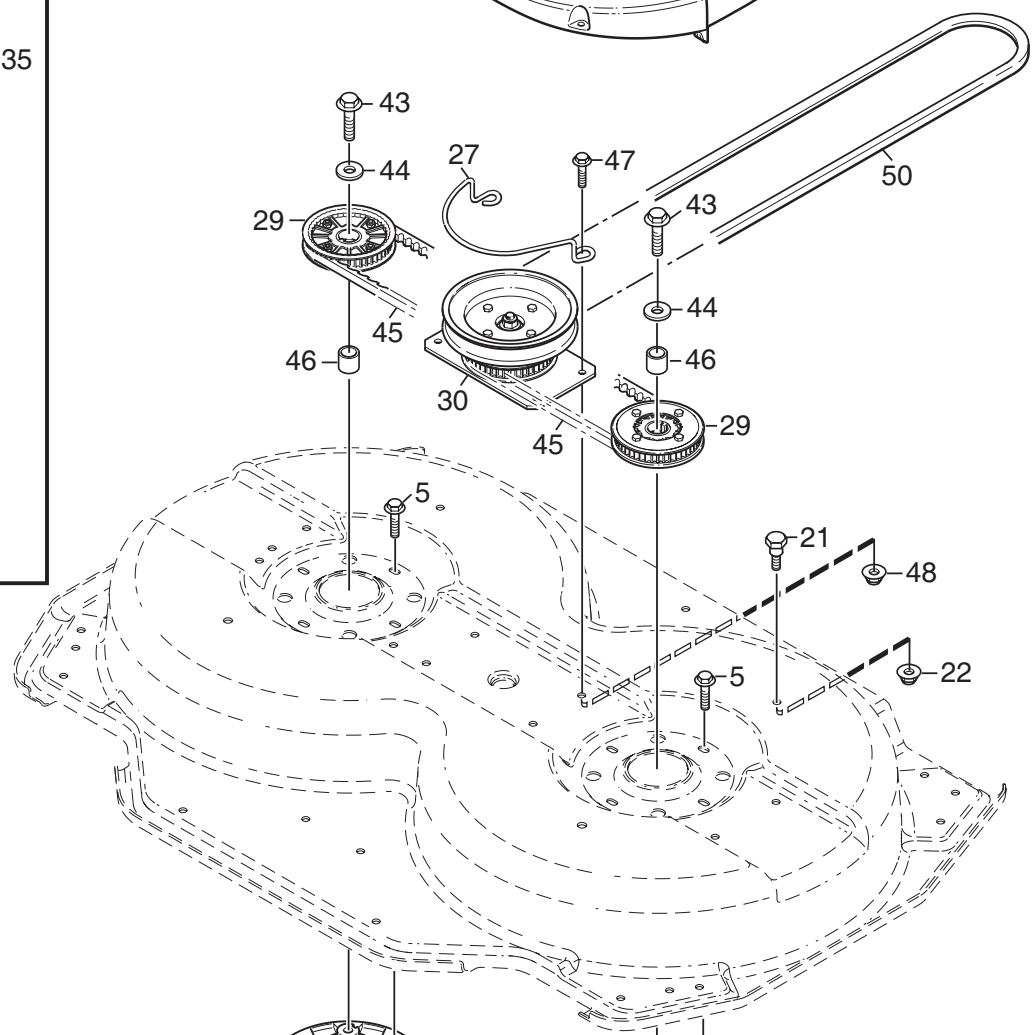
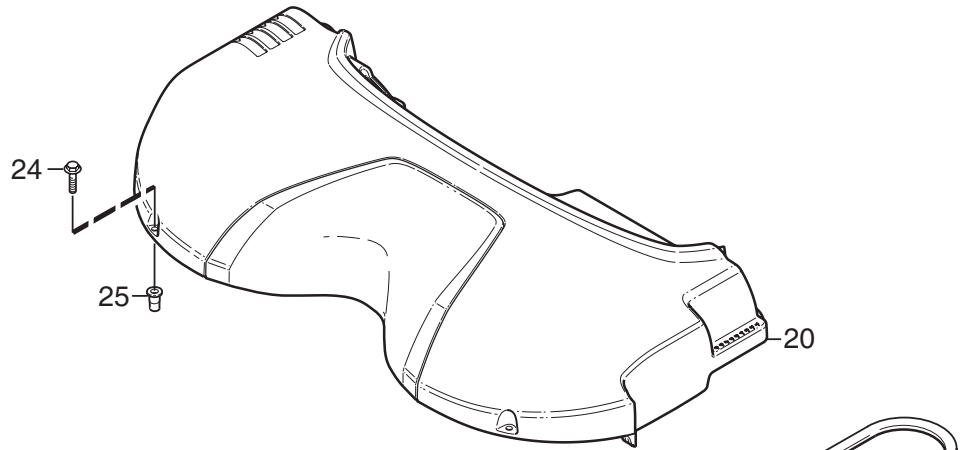
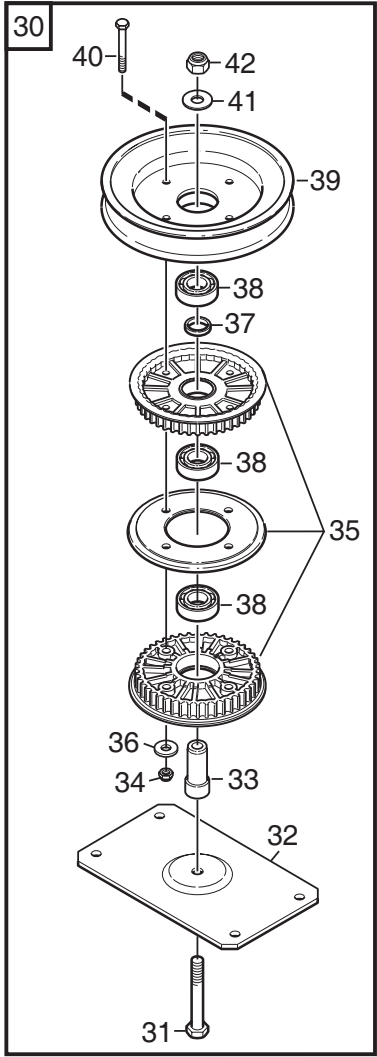
X



M327

Ausgabe Issue 2011-31		Bild Nr Picture No M327		XK MÄHWERK 105C REGULIERUNGEN		XK MOWER DECK 105C CONTROLS		Seite Page 136	
Pos. Fig.	Anzahl/Quantity				Artikel Nr. Part No	Bezeichnung	Description	Satz Kit	Anmerkung Notes
	2972 -74								
1	1				1134-6275-02	Vorderachse- schwarz	Front axle- black.....		
2	1				1134-6215-03	Halter- L, schwarz.....	Bracket fr- LH, black.....		
3	1				1134-6215-04	Halter- R, schwarz	Bracket fr- RH, black		
4	4				9959-0816-16	Schraube	Screw		
5	4				9739-0831-22	Mutter	Nut		
6	2				1134-6278-02	Leitblech- schwarz.....	Guide- black		
7	2				1134-4284-01	Rad	Wheel.....		
8	4				1134-4319-01	Lager	Bearing.....		
9	2				1134-4318-01	Radachse.....	Wheel axle.....		
10	2				9897-0813-02	Schraube	Screw.....		
11	2				9747-0831-02	Mutter.....	Lock nut.....		
12	1				1134-6197-02	Hinterachse- schwarz	Rear axle- black.....		
13	1				1134-6282-01	Rollen- L, m.Halter.....	Roller- LH, w/bracket		Pos 15 - 18 incl.
14	1				1134-6282-02	Rollen- R, m.Halter	Roller- RH, w/bracket.....		Pos 15 - 18 incl.
15	1				9897-0813-02	• Schraube	• Screw		
16	1				9739-0831-22	• Mutter	• Nut		
17	1				1134-4318-01	• Radachse.....	• Wheel axle.....		
18	2				1134-6206-01	• Rollen	• Roller		
19	4				9959-0816-16	Schraube	Screw.....		
20	4				9739-0831-22	Mutter	Nut		
21	2				1134-6198-01	Stange	Stud		
22	2				9699-0104-02	Scheibe.....	Washer.....		
23	2				9598-2001-02	Schließnadel	Spring pin		
24	2				9646-0098-22	Niet.....	Rivet.....		
25	2				9675-0012-02	Verriegelungsscheibe	Locking washer.....		
26 A	1				1134-6249-01	Druckstange- L	Push rod- LH.....		
27	1				1134-6246-01	Druckstange- R.....	Push rod- RH		
28	4				9675-0015-02	Verriegelungsscheibe	Lock washer.....		
29	1				1137-0259-01	Höhenverstellsektor.....	Height adj. quadrant.....		
30	2				9959-0816-16	Schraube	Screw.....		
31	2				9739-0831-22	Mutter	Nut		
32	1				1134-6244-02	Höhenverst.hebel- schw	Height adj.lever- bl.		
33	1				1134-6254-01	Sperre.....	Catch.....		
34	1				1134-5444-01	Druckstange	Push rod		
35	1				1134-5445-01	Feder	Spring		
36	1				1134-5503-01	Griff	Handle.....		
37	1				9699-0087-02	Scheibe.....	Flat washer.....		
38	1				1134-3051-01	Sperrknopf.....	Locking knob		
39	1				1134-6286-03	Distanz.....	Spacer.....		
40	1				1134-1565-16	Distanz.....	Spacer.....		
41	2				9646-0105-22	Niet.....	Rivet.....		
42	2				9672-0006-02	Verriegelungsscheibe	Lock washer		
43	1				9997-0850-12	Schraube	Screw.....		
44	1				9747-0831-02	Mutter.....	Lock nut.....		
45	2				9699-0028-02	Scheibe.....	Flat washer.....		

X



Ausgabe Issue 2011-31		Bild Nr Picture No 2137B		XK MÄHWERK 105C TRANSMISSION		XK MOWER DECK 105C TRANSMISSION		Seite Page 138	
Pos. Fig.	Anzahl/Quantity				Artikel Nr. Part No	Bezeichnung	Description	Satz Kit	Anmerkung Notes
	2972 -74								
1	2				1134-5831-01 Lagerbuchse kpl	Bearing box assy.....			
5	8				9945-0825-16 Schraube	Screw.....			
6	2				1134-6240-03 Messer kpl.....	Blade bar assy.....			Pos 7 incl.
7	1				1134-9119-01 • Messersatz	• Blade kit			Pos 8 - 10 incl.
8	1				1134-9054-01 •• Scherbolzensatz.....	•• Shear bolt kit.....			
9	2				1134-6311-01 •• Bolt	•• Bolt.....			7/16" UNF
10	2				1134-6312-01 •• Schloßmutter	•• Lock nut			7/16" UNF
11	2				1134-6211-01 Messerscheibe.....	Blade washer.....			
12	2				9997-1060-12 Schraube	Screw.....			
20	1				1134-6280-03 Deckel- grau.....	Transm.cover- grey			
21	2				1134-0240-01 Schulerschraube.....	Shoulder screw			
22	2				9739-0831-22 Mutter	Nut			
24	2				9945-0825-16 Schraube	Screw.....			
25	2				1134-5595-01 Nietmutter	Riveting nut.....			
27	1				1134-6431-01 Riemenführung.....	Belt guide			
29	2				1134-6287-01 Zahnriemenscheibe	Toothed belt pulley			
30	1				1137-0116-02 Riemenscheibe kpl	Belt pulley			Pos 31 - 42 incl.
31	1				9997-1070-12 • Schraube	• Screw			
32	1				1134-6209-01 • Halterung	• Bracket			
33	1				1134-6205-02 • Achse.....	• Shaft			
34	4				9747-0631-02 • Mutter	• Lock nut			
35	1				1134-9128-02 • Zahnriemenscheibe.....	• Belt pulley			
36	4				9699-0060-02 • Scheibe.....	• Flat washer			
37	1				1134-3725-06 • Distanz.....	• Spacer			H = 1.5 mm
38	3				9549-0019-00 • Kugellager.....	• Ball bearing			
39	1				1137-0014-01 • Riemenscheibe	• Belt pulley			Ø = 168 mm
40	4				9997-0650-12 • Schraube	• Screw			
41	1				9699-0030-02 • Scheibe.....	• Flat washer			
42	1				9731-1031-22 • Mutter.....	• Nut			
43	2				9997-1060-12 Schraube	Screw.....			
44	2				1134-5406-01 Scheibe.....	Washer.....			
45	2				9585-0165-01 Zahnriemen	Toothed belt			
46	2				1134-5400-04 Distanz.....	Spacer.....			
47	4				9959-0820-16 Schraube	Screw.....			
48	4				9739-0831-22 Mutter	Nut			
50	1				9585-0199-01 Keilriemen (4WD).....	V- belt (4WD)			
50	1				9585-0200-01 Keilriemen (2WD).....	V- belt (2WD)			

X