

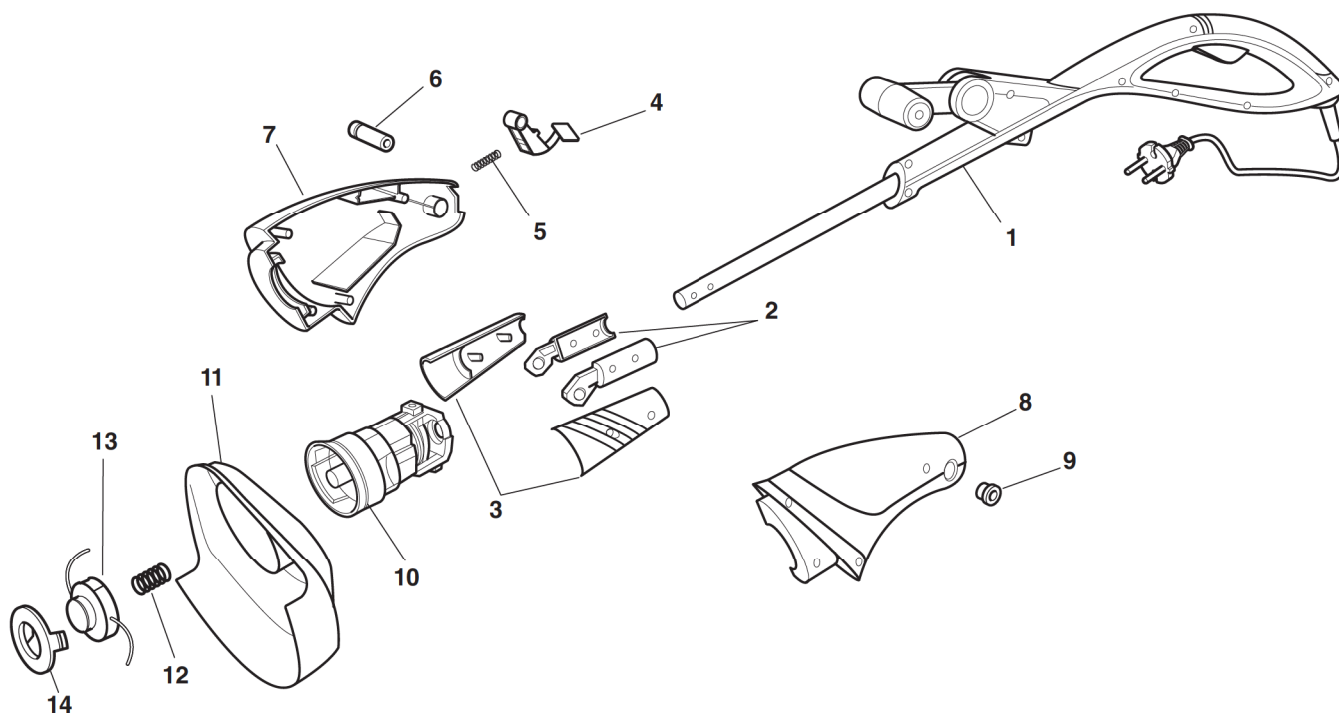
ETR 500



2009

DE001.0

1 / 1



POS.	CODE	Q.TY	DESCRIZIONE	DESCRIPTION	DESCRIPTION	BESCHREIBUNG	REMARKS
1	1911-1614-01	1	ASS. IMPUGNATURA GIALLO	MOTOR HOUSING YELLOW	CARTER MOTEUR JAUNE	MOTORGEHÄUSE GELB	
-	1911-1614-02	1	ASS. IMPUGNATURA ROSSO	MOTOR HOUSING RED	CARTER MOTEUR ROUGE	MOTORGEHÄUSE ROT	
2	1911-1611-01	1	CARTER	COVER	CARTER	BLECH	
3	1911-1610-01	1	SNODO	JOINT	JOINT	GELENK	
4	1911-1609-01	1	LEVA	LEVER	LEVIER	HEBEL	
5	1911-1608-01	1	MOLLA	SPRING	RESSORT	FEDER	
6	1911-1607-01	1	PERNO	PIN	PIVOT	BOLZEN	
7	1911-1606-01	1	CARTER DESTRO, GIALLO	RIGHT HOUSING, YELLOW	CARTER DROIT, JAUNE	BLECH RECHT, GELB	
-	1911-1606-02	1	CARTER DESTRO, ROSSO	RIGHT HOUSING, RED	CARTER DROIT, ROUGE	BLECH RECHT, ROT	
8	1911-1612-01	1	CARTER SINISTRO, GIALLO	LEFT HOUSING, YELLOW	CARTER GAUCHE, JAUNE	BLECH LINK, GELB	
-	1911-1612-02	1	CARTER SINISTRO, ROSSO	LEFT HOUSING, RED	CARTER GAUCHE, ROUGE	BLECH LINK, ROT	
9	1911-1613-01	1	TAPPO	CAP	BOUCHON	GUMMISTOPFEN	
10	1911-1630-01	1	MOTORE	MOTOR	MOTEUR	MOTOR	
11	1911-1604-01	1	ASS. PARASPRUZZI	SAFETY COVER ASS.Y	ENS. CAPOT ANTI-PROJECTIONS	SET SPRITZSCHUTZ	
12	1911-1629-01	1	MOLLA	SPRING	RESSORT	FEDER	
13	1911-1631-01	1	ASS. TESTINA A FILI	CUTTING LINE ASSY	ENS. TÊTE FILS	SET SCHNEIDEKOPF	
14	1911-1628-01	1	POMELLO	KNOB	BOUTON	KNAUF	