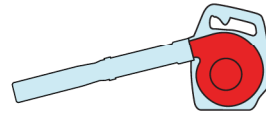
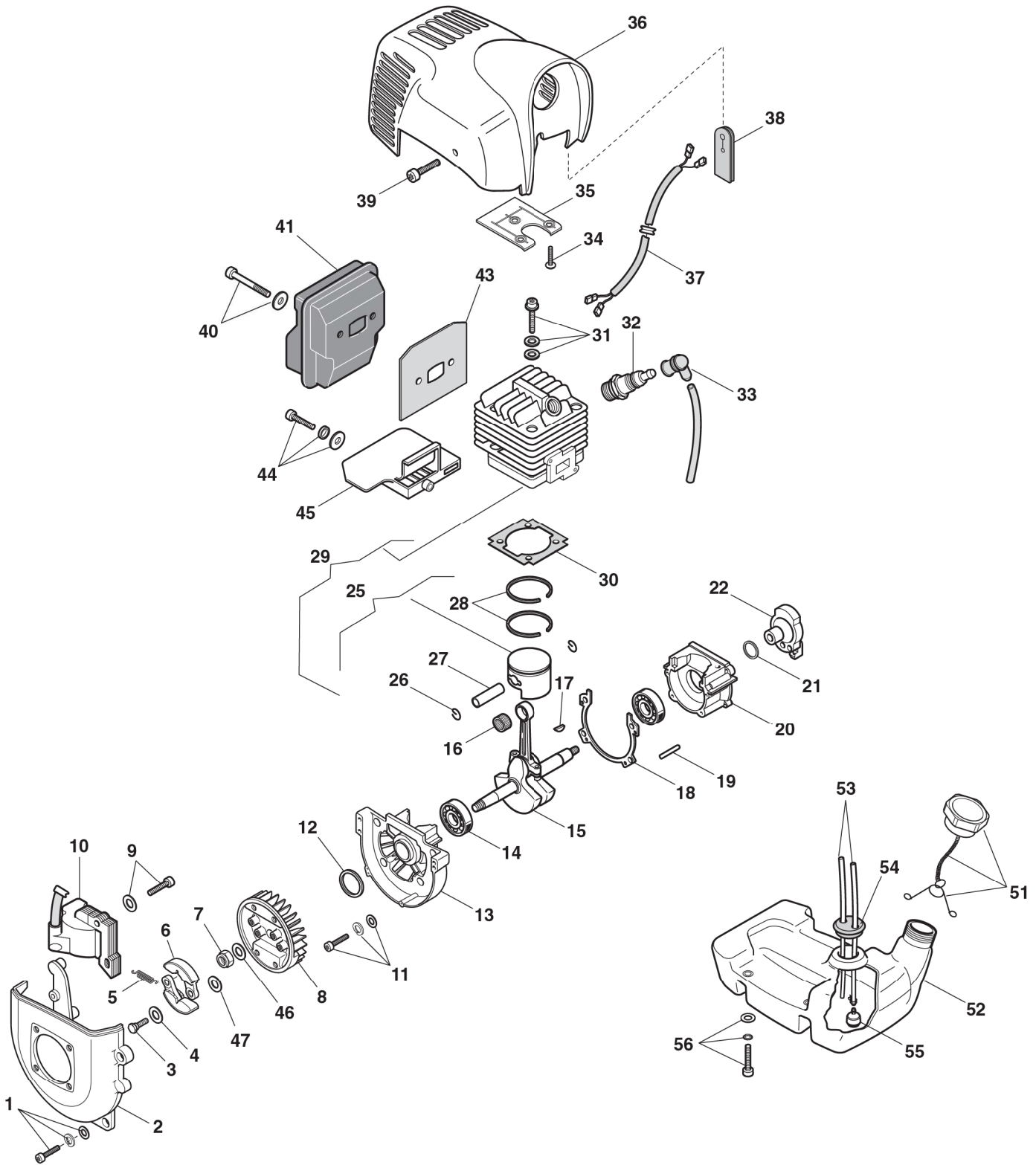


BL 250 H



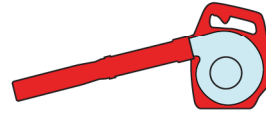
2009
BL001.0
1 / 2



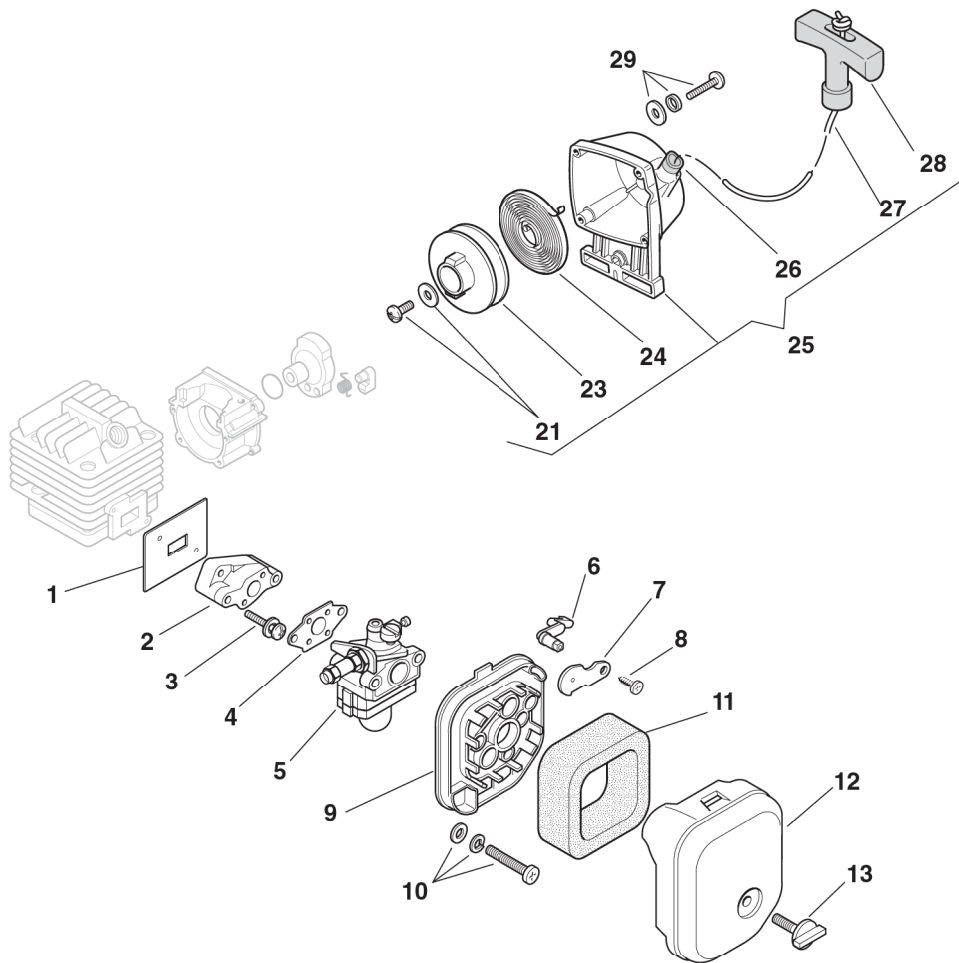
POS.	CODE	Q.TY	DESCRIZIONE	DESCRIPTION	DESCRIPTION	BESCHREIBUNG	REMARKS
1	123071007/0	1	ASS. CILINDRO	CYLINDER ASSY	ENS.CYLINDRE	SET ZYLINDER	
2	123280021/0	1	GUARNIZIONE CILINDRO	CILYNDER GASKET	JOINT CYLINDRE	ZYLINDERDICHTUNG	
3	123878046/0	1	VITE	SCREW	VIS	SCHRAUBE	

POS.	CODE	Q.TY	DESCRIZIONE	DESCRIPTION	DESCRIPTION	BESCHREIBUNG	REMARKS
4	123073507/0	1	COLLETTORE ASPIRAZIONE	INTAKE MANIFOLD	COLLECTEUR ASPIRATEUR	KOLLEKTOR ANSAUGUNG	
5	123280017/0	1	GUARNIZ.COLLETT-CILINDRO	INTAKE MANIF-GASKET	JOINT COLLECT.-CYL.	DICHT. KOLLEKT.-ZYL.	
6	123280018/0	1	GUARNIZ.COLLETTORE-CARBURATORE	INTAKE-CARB GASKET	JOINT COLLECT.-CARB.	DICHT. KOLLEKTOR-VERG.	
7	123878043/0	1	VITE	SCREW	VIS	SCHRAUBE	
8	183740003/0	1	SILENZIATORE	MUFFLER	SILENCIEUX	SCHALLDÄMPFER	
9	123878048/0	1	VITE	SCREW	VIS	SCHRAUBE	
10	123280020/0	1	GUARNIZIONE SILENZIATORE	GASKET	JOINT SILENCIEUX	DICHTUNG SCHALLDÄMPFER	
11	183057005/0	1	CARTER MOTORE	CRANKASE	CARTER MOTEUR	MOTORABDECKUNG	
12	123280019/0	1	GUARNIZIONE CARTERS	GASKET	JOINT	DICHTUNG ABDECKUNG	
13	114215214/0	1	CUSCINETTO A SFERE	BALL BEARING	ROUL. À BILLES	KUGELLAGER	
14	6995257	1	ANELLO DI TENUTA	SEAL RING	ANNEAU DE TENUE	DICHTRING	
15	119035157/0	1	ANELLO DI TENUTA	SEAL RING	ANNEAU DE TENUE	DICHTRING	
16	112610001/0	1	ANELLO SEEGER	RING	CIRCLIP	RING	
17	123878045/0	1	VITE	SCREW	VIS	SCHRAUBE	
18	123590002/0	1	PISTONE	PISTON	PISTON	KOLBEN	
19	123204002/0	1	FASCIA ELASTICA	PISTON RING	COLLIER ÉLASTIQUE	KOLBENRING	
20	123760000/0	1	SPINOTTO PISTONE	PISTON PIN	POINTEAU PISTON	KOLBENBOLZEN	
21	6995171	1	FERMO SPINOTTO	WASHER, PISTON PIN	CIRCLIP POINTEAU	ANSCHLAG ZAPFEN	
22	6995237	1	ASTUCCIO A RULLI	NEEDLE BEARING	ROUL. À AIGUILLES	WALZENROHR	
23	6995169	1	RASAMENTO PISTONE	WASHER	RONDELLE	PASSSCHEIBE KOLBEN	
25	123020017/0	1	ASS. ALBERO MOTORE	CRANKSHAFT	ARBRE MOTEUR	SET MOTORWELLE	
-	123867011/0	1	PERNO	PIVOT	GOUJON	STIFT	
26	6995018	1	LINGUETTA VOLANO	FLYWHEEL KEY	CLAVETTE VOLANT	LASCHE SCHWUNGRAD	
27	123880004/0	1	VOLANO MAGNETE	FLYWHEEL	VOLANT AIMANT	SCHWUNGRAD MAGNET	
28	123044005/0	1	BOBINA ELETTRONICA	ELETTRONIC COIL	BOBINE ÉLECTRONIQUE	ELEKTRONIKSPULE	
29	123053001/0	1	CAPPUCCIO CANDELA	SPARK PLUG COVER	CAPUCHON BOUGIE	ZÜNDKERZENKAPPE	
30	123430576/0	1	TERMINALE FILO CANDELA	SPARK PLUG SPRING	BORNE FIL BOUGIE	DRAHTENDE ZÜNDKERZE	
31	123160052/0	1	DISTANZIALE	SPACER	ENTRETOISE	DISTANZRING	
32	123878047/0	1	VITE	SCREW	VIS	SCHRAUBE	
33	183058014/0	1	ASS. AVVIATORE	STARTER ASS.Y	ENS. DÉMARREUR	SET KUPPLUNG	
34	183082001/0	1	ASS. COPPA AVVIAMENTO	STARTER CUP ASS.Y	ENS.COUPÉ DÉMARREUR	SCHWUNGRAD MAGNET	
35	123878042/0	1	VITE	SCREW	VIS	SCHRAUBE	
36	3210024	1	CANDELA	SPARK PLUG	BOUGIE	ZÜNDKERZE	
37	183065011/0	1	CAVO MASSA	EARTH CABLE	CÂBLE MASSE	ERDUNGSDRAHT	
38	123054019/0	1	CARBURATORE	CARBURETTOR	CARBURATEUR	VERGASER	
39	123120002/0	1	DADO	NUT	ECROU	MUTTER	
40	123653000/0	1	REGISTRO CAVO ACCELERATORE	THROTTLE CABLE ADJUSTER	REGISTRE	REGLER	
41	123044215/0	1	ANELLO OR	OR RING	JOINT OR	OR-DICHTUNG	
42	123878044/0	1	VITE	SCREW	VIS	SCHRAUBE	
43	123066011/0	1	CAVO ACCELERATORE	WIRE ASS.Y	CÂBLE ACCÉLÉR.	STARTERKABEL	
44	183220001/0	1	ASS. FILTRO ARIA	AIR FILTER ASS'Y	FILTRE À AIR	SET LUFTFILTER	
45	123109531/0	1	COPRIFILTRO ARIA	FILTER COVER	COUVRE-FILTRE À AIR	FILTERABD.	
46	123220007/0	1	FILTRO ARIA	AIR FILTER	FILTRE À AIR	LUFTFILTER	
47	183733003/0	1	ASS. SERBATOIO MIX.	KIT FUEL TANK	ENS.RÉSERVOIR MÉLANGE	SET TREIBSTOFFTANK	
48	183790006/0	1	ASS. TAPPO MISCELA	CAP ASS'Y, FUEL TANK	BOUCHON MÉLANGE	SET DECKEL TREIBSTOFF	
49	183520002/0	1	ASS. PESCANTE MISCELA	INTAKE FILTER ASSY	PLONGEUR MÉLANGE	ZUFUHRLEITUNG TREIBSTOFF	

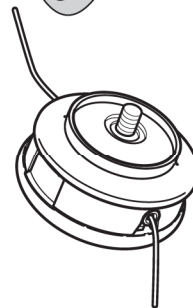
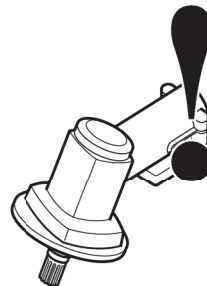
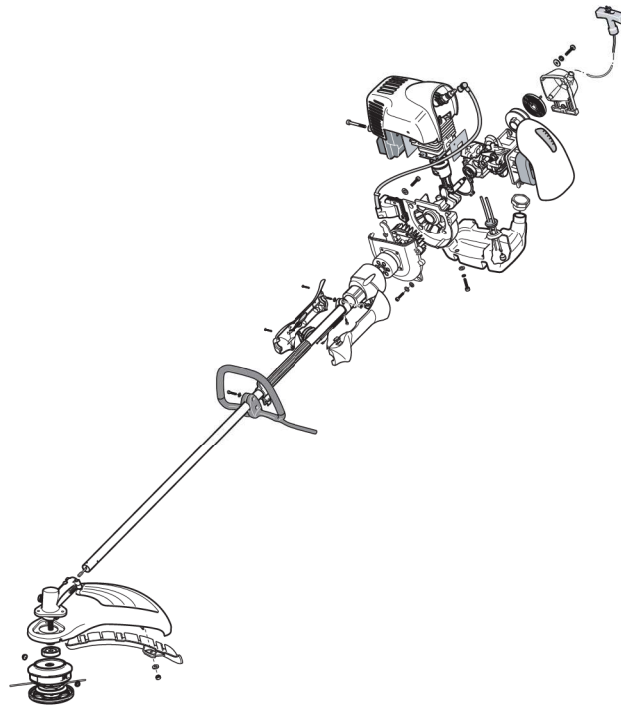
BL 250 H



2009
BL001.0
1 / 2



POS.	CODE	Q.TY	DESCRIZIONE	DESCRIPTION	DESCRIPTION	BESCHREIBUNG	REMARKS
1	123700050/0	1	SEMIMP. GIALLO	SEMI-HANDGRIPS YELLOW	DEMI-POIGNÉES JAUNES	HALBGRIFFE GELB	
-	123700051/0	1	SEMIMP. ROSSO	SEMI-HANDGRIPS RED	DEMI-POIGNÉES ROUGE	HALBGRIFFE ROT	
2	123109532/0	1	CONVOGLIATORE ARIA, GIALLO	AIR CONVEYOR, YELLOW	CONVOYEUR AIR, JAUNE	LUFTSAMMELLEITUNG, GELB	
-	123109533/0	1	CONVOGLIATORE ARIA, ROSSO	AIR CONVEYOR, RED	CONVOYEUR AIR, ROUGE	LUFTSAMMELLEITUNG, ROT	
3	123109534/0	1	COPERCHIO	COVER	COUVERCLE	DECKEL	
4	123303002/0	1	INTERRUTTORE	SWITCH	INTERRUPTEUR	SCHALTER	
5	123876001/0	1	VENTOLA	FAN	VENTILATEUR	LÜFTER	
6	123315073/0	1	LEVA ACCELERATORE	THROTTLE LEVER	LEVIER ACCÉLÉRATEUR	GASHEBEL	
7	123700048/0	1	SEMIMP. GIALLO	SEMI-HANDGRIPS YELLOW	DEMI-POIGNÉES JAUNES	HALBGRIFFE GELB	
-	123700049/0	1	SEMIMP. ROSSO	SEMI-HANDGRIPS RED	DEMI-POIGNÉES ROUGE	HALBGRIFFE ROT	
8	123867012/0	1	TUBO	TUBE	TUBE	ROHR	
9	123867013/0	1	TUBO	TUBE	TUBE	ROHR	
10	123300005/0	1	IMPUGNATURA	HANDLE	POIGNÉE	HANDGRIFF	



USARE SOLO RICAMBI ORIGINALI!
USE ONLY GENUINE SPARE PARTS!
UTILISER DES PIÈCES DE RECHANGE D'ORIGINE!
NUR ORIGINALERSATZTEILE VERWENDEN!