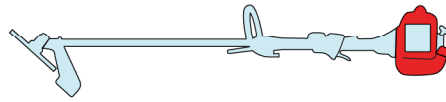
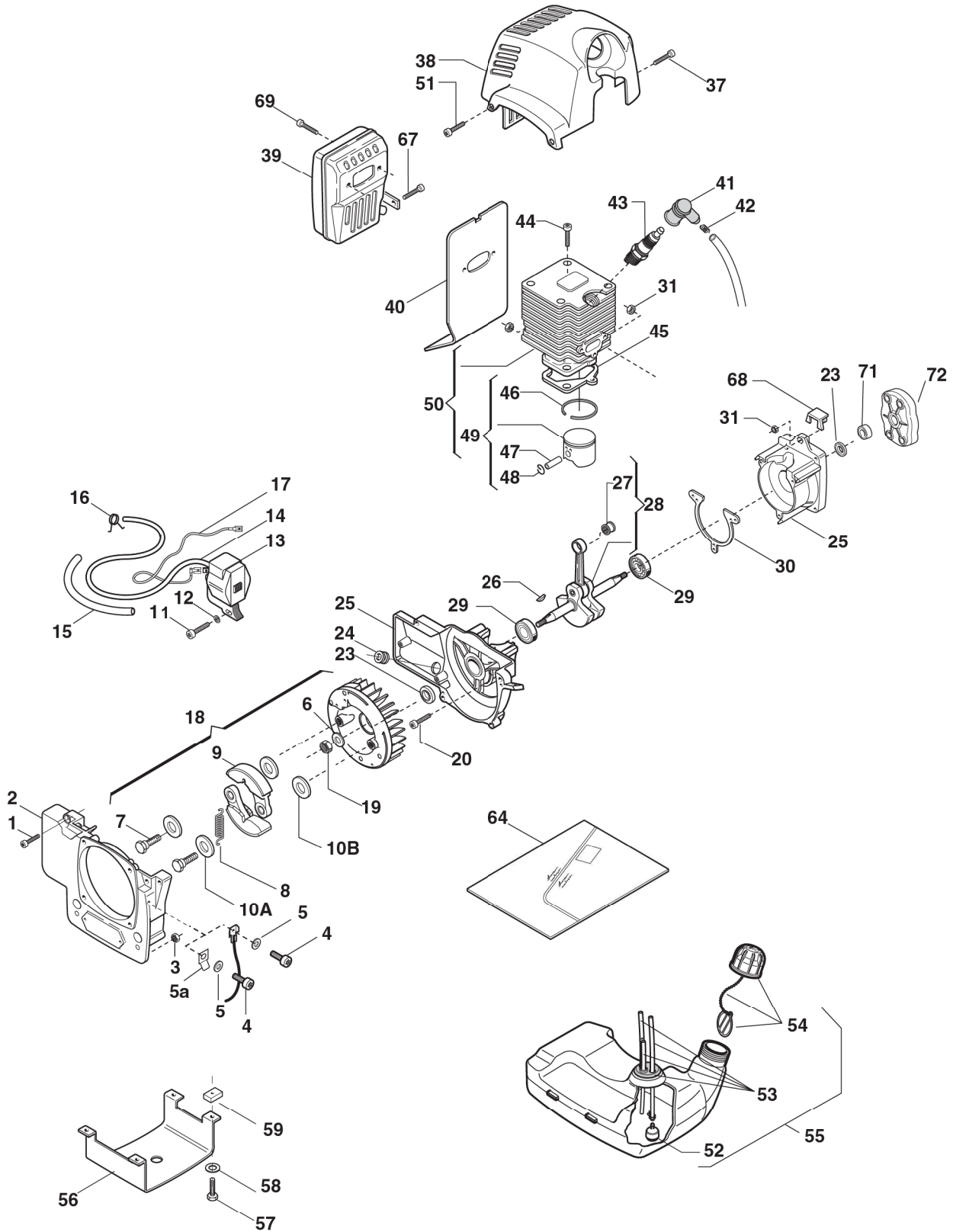


STAR

45P 45DP 45FP 55P 55DP 55FP



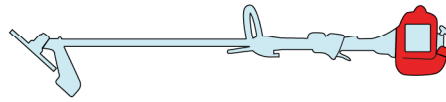
2009
DC017.0
1 / 4



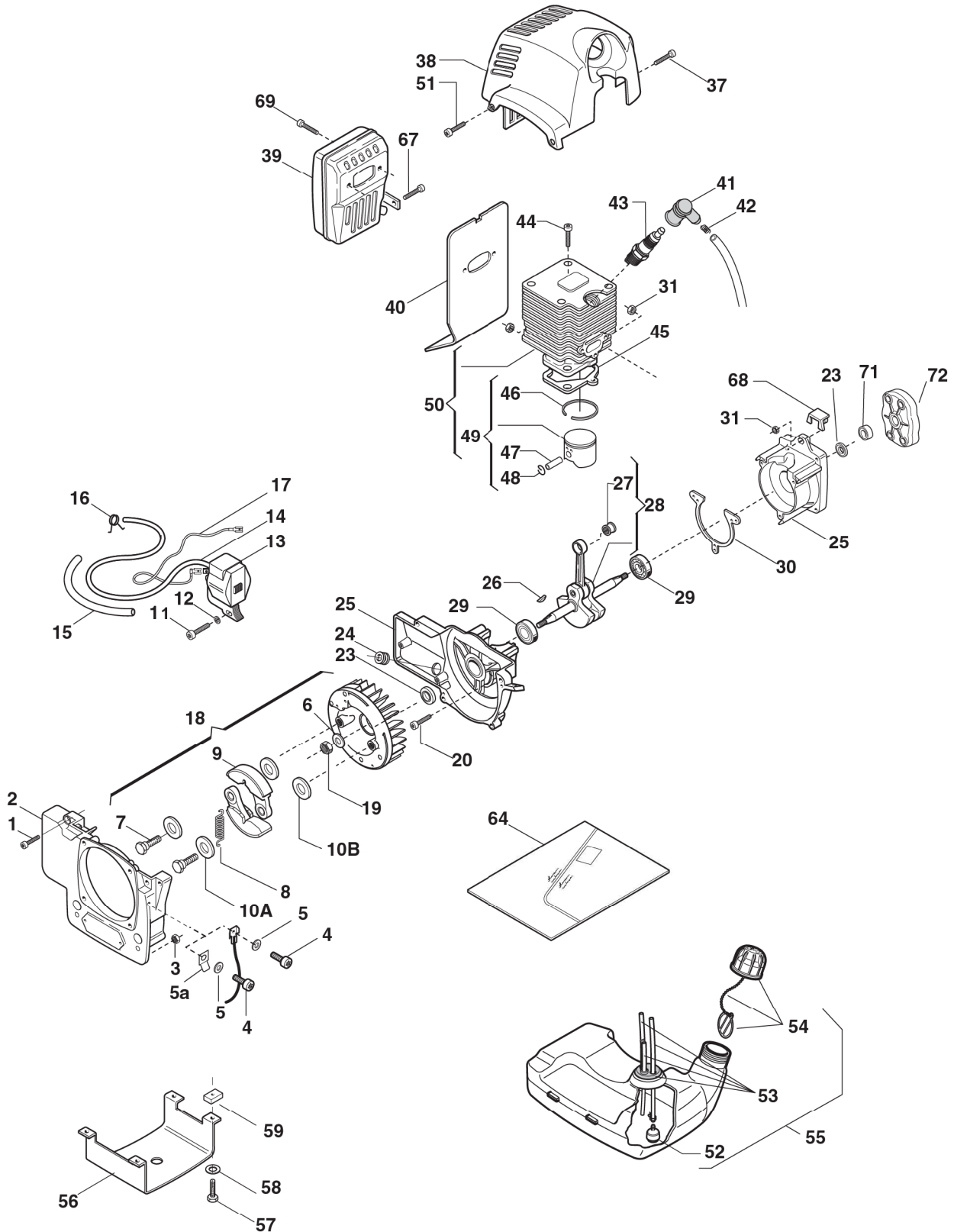
POS.	CODE	Q.TY	DESCRIZIONE	DESCRIPTION	DESCRIPTION	BESCHREIBUNG	REMARKS
1	23878016/0	4	VITE	SCREW	VIS	SCHRAUBE	
2	323208409/0	1	CARTER SUPP. TRASMISSIONE	TRANSM.SUPPORT CASE	CARTER SUPP. TRANSM.	GEHÄUSE GETRIEBE-PLATTFORM	
3	2461030	4	DADO	NUT	ECROU	MUTTER	
4	2132500	1	VITE	SCREW	VIS	SCHRAUBE	
5	2312120	1	RONDELLA	WASHER	RONDELLE	UNTERLEGSCHLEIBE	
5a	3211420	1	FASTON (FLEX)	FASTON (FLEX)	FASTON (FLEX)	ERDUNGSSTECKER (FLEX)	
6	-	2	ROSETTA	WASHER	RONDELLE	SCHEIBE	
7	2653213	2	VITE	SCREW	VIS	SCHRAUBE	
8	3654040	1	MOLLA FRIZIONE MOD. ASS.PISTONE Ø 42	SPRING MOD.PISTON ASS.Y Ø 42	RESSORT X MOD.ENS. PISTON Ø 42	KUPPLUNGSFEDER X MOD. KOLBENSET Ø 42	
-	3654220	1	MOLLA FRIZIONE MOD. ASS.PISTONE Ø 45	SPRING MOD.PISTON ASS.Y Ø 45	RESSORT X MOD.ENS. PISTON Ø 45	KUPPLUNGSFEDER X MOD. KOLBENSET Ø 45	
9	3660430/1	2	MASSA FRIZIONE MOD. ASS.PISTONE Ø 42	CLUTCH UNIT MOD. PISTON ASS.Y Ø 42	EMBAYAGE X MOD.ENS. PISTON Ø 42	REIBUNGSMASSE X MOD. KOLBENSET Ø 42	
-	3660500/1	2	MASSA FRIZIONE MOD. ASS.PISTONE Ø 45	CLUTCH UNIT MOD. PISTON ASS.Y Ø 45	EMBAYAGE X MOD.ENS. PISTON Ø 45	REIBUNGSMASSE X MOD. KOLBENSET Ø 45	
10a	23652501/0	2	ROSETTA	WASHER	RONDELLE	SCHEIBE	
10b	2321230	2	ROSETTA	WASHER	RONDELLE	SCHEIBE	
11	2135060	2	VITE	SCREW	VIS	SCHRAUBE	
12	2321150	2	ROSETTA	WASHER	RONDELLE	SCHEIBE	
13	23044001/0	1	BOBINA ELETTRONICA	ELECTRONIC COIL	BOBINE ÉLECTRONIQUE	ELEKTRONIKSPULE	
14	3211080	1	FILO BOBINA	SPARK PLUG CABLE	FIL BOBINE	DRAHT ZÜNDKERZE	
15	3782040	1	GUAINA CAVO CANDELA	WIRE JAKET	GAINÉ CÂBLE	KABELMANTEL GASHEBEL	
16	3657450	1	FASCETTA CAVO CANDELA	CLAMP	COLLIER	ZÜNDKERZENKABEL	
17	3211415	1	CAVO MASSA	EARTH CABLE	CÂBLE MASSE	ERDUNGSKABEL	
18	8252500/1	1	ASS.VOLANO-MASSE MOD. PIST. Ø 42 (INCL.7-10)	FLYWHEEL ASS.Y X MOD. PISTON Ø 42 (INCL.7-10)	ENS.VOLANT X MOD.ENS. PISTON Ø 42 (INCL.7-10)	SET SCHWUNGRAD MAGNET X MOD. KOLBENSET Ø 42 (INCL.7-10)	
-	8252510/1	1	ASS.VOLANO-MASSE MOD. PIST. Ø 45 (INCL.7-10)	FLYWHEEL ASS.Y X MOD. PISTON Ø 45 (INCL.7-10)	ENS.VOLANT X MOD.ENS. PISTON Ø 45 (INCL.7-10)	SET SCHWUNGRAD MAGNET X MOD. KOLBENSET Ø 45 (INCL.7-10)	
19	2412100	1	DADO	NUT	ECROU	MUTTER	
20	2135130	4	VITE	SCREW	VIS	SCHRAUBE	
23	3121120	2	ANELLO DI TENUTA	SEAL RING	ANNEAU DE TENUE	DICHTRING	
24	3745130	1	GOMMINO PASSACAVO	GROMMET	RONDELLE CAOUTCHOU	LIPPKLAMPE	
25	383084000/0	1	COPPIA CARTER MOTORE	CRANKASE ASS.Y	ENS. CARTER MOTEUR	PAAR MOTORABDECKUNG	
26	3151050	1	LINGUETTA VOLANO	FLYWHEEL KEY	CLAVETTE VOLANT	LASCHE SCHWUNGRAD	
27	3114190	1	GABBIA A RULLI	NEEDLE BEARING	ROUL. À AIGUILLES	WALZENKÄFIG	
28	8251440	1	ASS.ALBERO MOTORE (INCL.27)	CRANCKSHAFT ASS.Y (INCL.27)	ENS.ARBRE MOTEUR (INCL.27)	SET MOTORWELLE (INCL.27)	
29	3112040	2	CUSCINETTO	BEARING	ROUL. À BILLES	KUGELLAGER	
30	3724120	1	GUARNIZIONE CARTERS	GASKET	JOINT	DICHTUNG ABDECKUNG	
31	2432040	5	DADO	NUT	ECROU	MUTTER	
37	2135030	3	VITE	SCREW	VIS	SCHRAUBE	
38	4563880	1	CUFFIA COPRICILINDRO GIALLA	YELLOW CYLINDER COVER	COUVERCLE CYLINDRE JAUNE	MOTORABDECKUNG GELB	
-	4563883	1	CUFFIA COPRICILINDRO ROSSO	RED CYLINDER COVER	COUVERCLE CYLINDRE ROUGE	MOTORABDECKUNG ROT	
39	4122170/1	1	SILENZIATORE	MUFFLER	SILENCIEUX	SCHALLDÄMPFER	
40	3724380	1	GUARNIZIONE SILENZIATORE	GASKET	JOINT SILENCIEUX	DICHTUNG SCHALLDÄMPFER	
41	3744850	1	CAPPUCCIO CANDELA	SPARK PLUG COVER	CAPUCHON BOUGIE	ZÜNDKERZENKAPPE	
42	3657530	1	TERMINALE FILO CANDELA	SPARK PLUG SPRING	BORNE FIL BOUGIE	DRAHTENDE ZÜNDKERZE	
43	3210024	1	CANDELA	SPARK PLUG	BOUGIE	ZÜNDKERZE	

STAR

45P 45DP 45FP 55P 55DP 55FP



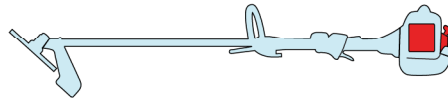
2009
DC017.0
3 / 4



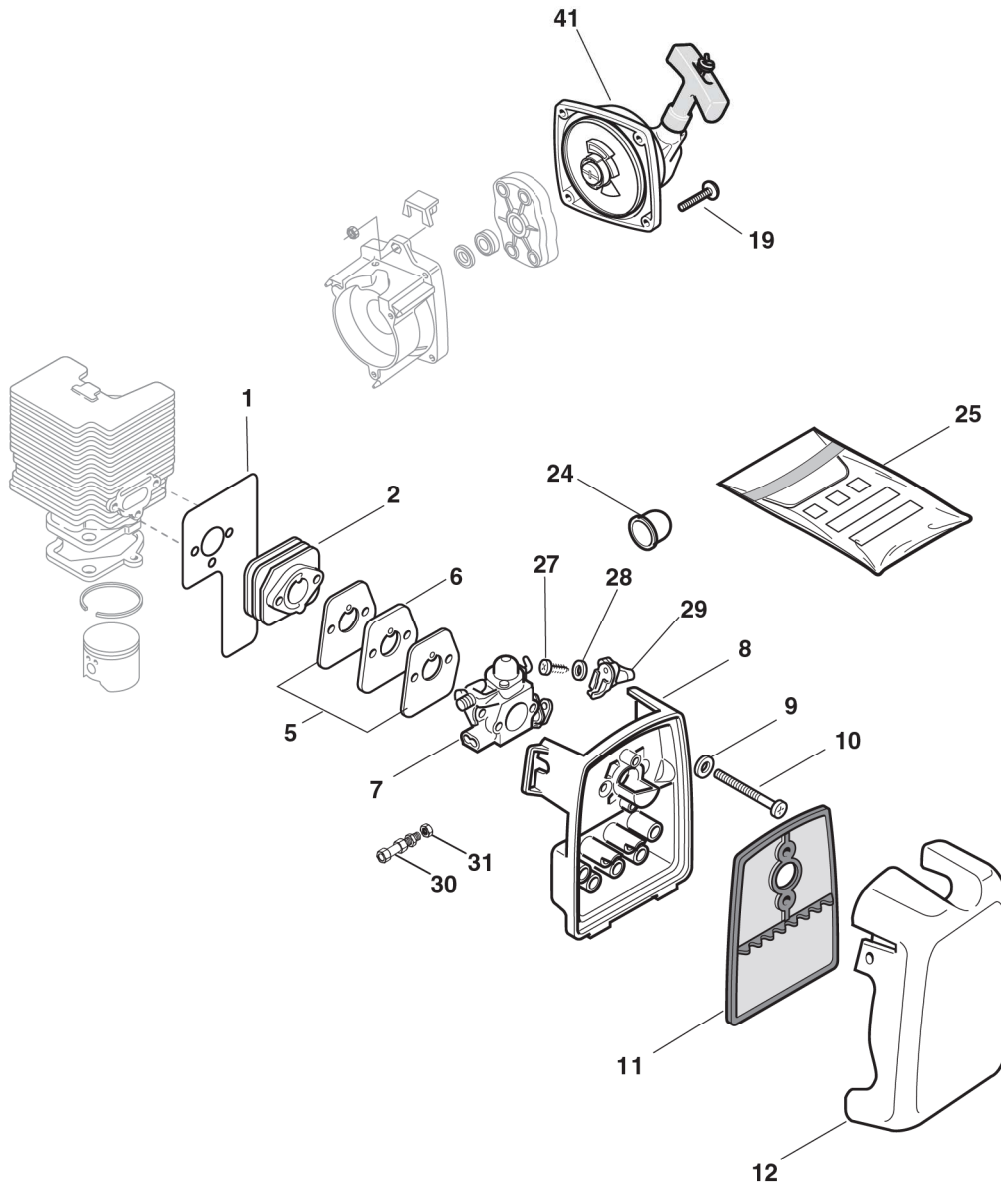
POS.	CODE	Q.TY	DESCRIZIONE	DESCRIPTION	DESCRIPTION	BESCHREIBUNG	REMARKS
44	2135060	4	VITE	SCREW	VIS	SCHRAUBE	
45	3724130	1	GUARNIZIONE CILINDRO	CYLINDER GASKET	JOINT CYLINDRE	ZYLINDERDICHTUNG	
46	3123200	1	FASCIA ELASTICA Ø 42	PISTON RING Ø 42	COLLIER ÉLASTIQUE Ø 42	KOLBENRING Ø 42	STAR 45
-	3123110	1	FASCIA ELASTICA Ø 45	PISTON RING Ø 45	COLLIER ÉLASTIQUE Ø 45	KOLBENRING Ø 45	STAR 55
47	3158010	1	SPINOTTO PISTONE Ø 42	PISTON PIN Ø 42	POINTEAU PISTONX ENS. PISTON Ø 42	KOLBENBOLZEN X MOD. KOLBENSET Ø 42	STAR 45
-	3158080	1	SPINOTTO PISTONE Ø 45	PISTON PIN Ø 45	POINTEAU PISTONX ENS. PISTON Ø 45	KOLBENBOLZEN X MOD. KOLBENSET Ø 45	STAR 55
48	3356020	2	FERMO SPINOTTO	CIRCLIP	CIRCLIP	SPERRE BOLZEN	
49	8540860	1	ASS.PISTONE Ø 42 (INCL.46-48)	PISTON ASS.Y Ø 42 (INCL.46-48)	ENS.PISTON Ø 42 (INCL.46-48)	KOLBENSET Ø 42 (INCL.46-48)	STAR 45
-	8540960	1	ASS.PISTONE Ø 45 (INCL.46-48)	PISTON ASS.Y Ø 45 (INCL.46-48)	ENS.PISTON Ø 45 (INCL.46-48)	KOLBENSET Ø 45 (INCL.46-48)	STAR 55
50	8540890	1	ASS.CIL-PIST Ø 42 (INCL.49)	CYL-PIST Ø 42 (INCL.49)	CYL.-PIST. Ø 42 (INCL.49)	SET KOLBEN-ZYL. Ø 42 (INCL.49)	STAR 45
-	8540970/2	1	ASS.CIL-PIST Ø 45 (INCL.49)	CYL-PIST Ø 45 (INCL.49)	CYL.-PIST. Ø 45 (INCL.49)	SET KOLBEN-ZYL. Ø 45 (INCL.49)	STAR 55
51	2135040	2	VITE	SCREW	VIS	SCHRAUBE	
52	4253290	1	PESCANTE MISCELA	INTAKE FILTER	FILTRE D'ASPIRATION	TAUCHSONDE	
53	8745542	1	ASS.GOMMINO PASSA-TUBI	GROMMET ASS.Y	ENS.RONDELLE CAOUTCHOU	SET GUMMIRINGE	
54	8741370	1	ASS.TAPPO MISCELA	FUEL CAP ASS.Y	ENS.BOUCHON MÉLANGÉ	DECKEL TREIBSTOFF-TANK	
55	4252620/1	1	ASS.SERBATOIO MIX (INCL.52-54)	FUEL TANK ASS.Y (INCL.52-54)	ENS.RÉSERVOIR MÉLANGÉ (INCL.52-54)	TREIBSTOFFTANK (INCL.52-54)	
56	4612237	1	FLANGIA SUPPORTO MOTORE	FLANGE	BRIDE MOTEUR	FLANSCH	
57	2135030	4	VITE	SCREW	VIS	SCHRAUBE	
-	2135040	4	VITE	SCREW	VIS	SCHRAUBE	
58	2321150	4	RONDELLA	WASHER	RONDELLE	UNTERLEGSCHIEBE	
59	2461030	4	DADO	NUT	ECROU	MUTTER	
60	4121957	1	FLANGIA SUPP.MOTORE (FLEX)	FLANGE (FLEX)	BRIDE MOTEUR (FLEX)	FLANSCH (FLEX)	
61	2382230	1	DISTANZIALE (FLEX)	SPACER (FLEX)	ENTRETOISE (FLEX)	THERMOISOLIERUNG (FLEX)	
62	2330060	1	ROSETTA	WASHER	RONDELLE	SCHEIBE	
63	2412180	1	DADO (FLEX)	NUT (FLEX)	ECROU (FLEX)	MUTTERSCHRAUBE (FLEX)	
64	8724380/1	1	SERIE GUARNIZIONI (INCL. 30-40-45)	GASKET SET (INCL. 30-40-45)	SÉRIE JOINTS (INCL. 30-40-45)	SET DICHTUNGEN (INCL.30-40-45)	
67	2135180	1	VITE	SCREW	VIS	SCHRAUBE	
68	3750537	1	DISTANZIALE CUFFIA	YELLOW SPACER	ENTRETOISE JAUNE	DISTANZSTÜCK GELB	
69	2135040	6	VITE	SCREW	VIS	SCHRAUBE	
71	23160051/0	1	DISTANZIALE	SPACER	ENTRETOISE	ENTFERNUNGSSTÜCK	EASY STARTER
72	83082000/0	1	COPPA AVVIAMENTO	STARTER CUP	COUPE DÉMARREUR	STARTERGEHÄUSE	EASY STARTER

STAR

45P 45DP 45FP 55P 55DP 55FP



2009
DC017.0
1 / 2



POS.	CODE	Q.TY	DESCRIZIONE	DESCRIPTION	DESCRIPTION	BESCHREIBUNG	REMARKS
1	3724390/2	1	GUARNIZ.COLLETT-CILINDRO	INTAKE-MANIF.GASKET	JOINT COLLECT.-CYLINDRE	DICHT. KOLLEKT.-ZYLINDER	
2	3749740/1	1	COLLETTORE ASPIRAZIONE	INTAKE MANIFOLD	COLLECTEUR ASPIRATION	KOLLEKTOR ANSAUGUNG	
5	1L3724160/1	2	GUARNIZ.CARBURAT-COLLETT.	GASKET	JOINT	DICHT. VERG.-KOLLEKT.	
6	3785050/1	1	DISTANZIALE TERMICO	HEAT BLOCK	BLOCAGE THERMIQUE	THERMOISOLIERUNG	
7	23054014/1	1	CARBURATORE	CARBURETTOR	CARBURATEUR	VERGASER	WALBRO WT 761A
8	23781004/0	1	SUPPORTO FILTRO ARIA GRIGIO	AIR FILTER HOLDER	SUPP. FILTRE À AIR	HALTER LUFTFILTER	
9	2312090	2	ROSETTA	WASHER	RONDELLE	SCHEIBE	
10	2135230	2	VITE	SCREW	VIS	SCHRAUBE	
11	3781640	1	FILTRO ARIA	AIR FILTER	FILTRE À AIR	LUFTFILTER	
12	23090008/0	1	COPRIFILTRO ARIA GIALLO	YELLOW FILTER COVER	COUVRE-FILTRE À AIR JAUNE	FILTERABD. GELB	
-	23090009/0	1	COPRIFILTRO ARIA ROSSO	RED FILTER COVER	COUVRE-FILTRE À AIR ROUGE	FILTERABD. ROT	
24	3744870	1	PRIMER	PRIMER	PRIMER	PRIMER	

POS.	CODE	Q.TY	DESCRIZIONE	DESCRIPTION	DESCRIPTION	BESCHREIBUNG	REMARKS
25	4353150	1	KIT MEMB-GUARNIZ	GASKET-DIAPH. SET	KIT MEMBR.-JOINT	SET MEMB.-DICHT.	
27	2123090	1	VITE	SCREW	VIS	SCHRAUBE	
29	23315056/0	1	LEVA ARIA	CHOKE LEVER	LEVIER AIR	CHOKERHEBEL	
-	2312180	1	ROSETTA	WASHER	RONDELLE	SCHEIBE	
30	3630600/1	1	REGISTRO CAVO ACCLE- RATORE	THROTTLE CABLE ADJU- STER	REGISTRE	REGLER	
31	2412090	1	DADO	NUT	ECROU	MUTTER	
41	83037000/0	1	ASS.AVVIATORE	STARTER ASS.Y	ENS. DÉMARREUR	STARTEREINHEIT	EASY STARTER

STAR

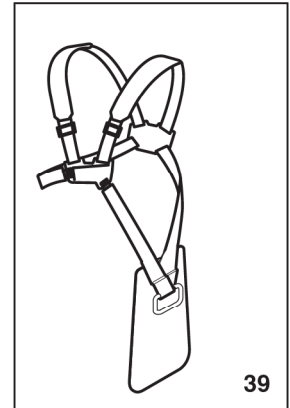
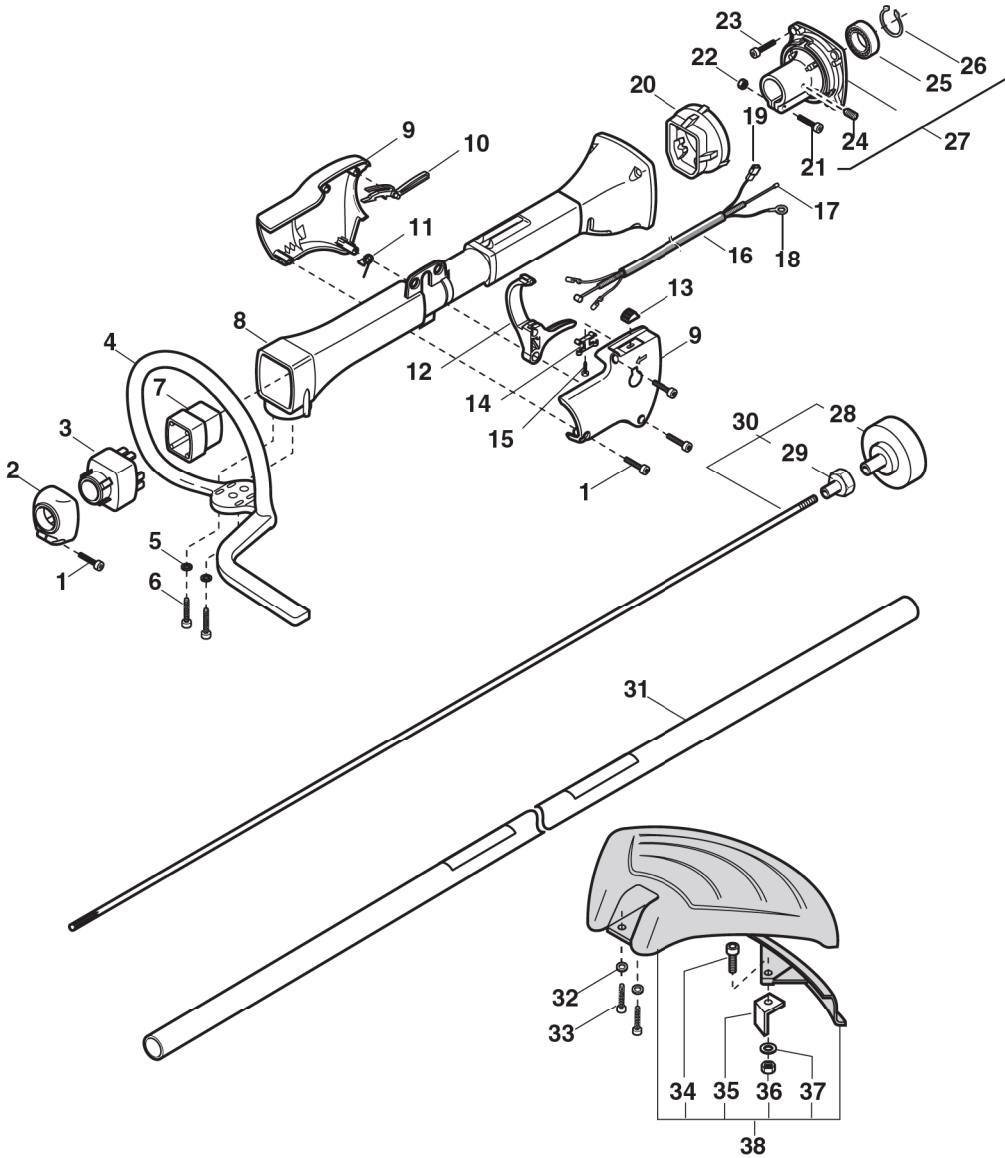
45P

55P



2009
DC017a.0

1 / 2



POS.	CODE	Q.TY	DESCRIZIONE	DESCRIPTION	DESCRIPTION	BESCHREIBUNG	REMARKS
1	2123030	4	VITE	SCREW	VIS	SCHRAUBE	
2	3750330	1	SUPPORTO ANTERIORE CARENATURA	FRONT HOUSING SUPPORT	SUPPORT AVANT CARTER	HALTER VORDERGEHÄUSE	
3	3744290	1	GOMMINO ANTIVIBRANTE ANTERIORE	FRONT SHOCK ABSORBER	CAOUTCHOUC ANTIVIBRAT. AVANT	SCHWINGUNGSDÄMPFER	
4	4563560	1	IMPUGNATURA ANTERIORE	FRONT HANDLE	POIGNÉE AVANT	HANDGRIFF VORNE	
5	2312150	2	RONDELLA	WASHER	RONDELLE	UNTERLEGSCHIEBE	
6	2123140	2	VITE	SCREW	VIS	SCHRAUBE	
7	3750340	1	GHIERA RIDUZIONE ANTERIORE	FRONT STEP-DOWN SPACER	BAGUE RÉDUCTION AVANT	VORDERER REDUZIERRING	
8	4563531	1	CARENATURA	TRANSMISSION HOUSING	CARTER TRANSMISSION	GEHÄUSE	
9	8563540	1	COPPIA GUSCI IMPUGNATURA	HANDGRIP HOUSING COUPLE	PAIRE PROTECT. POIGNÉES	PAAR HANDGRIFFHÜLSEN	
10	3743630	1	LEVA SICUREZZA	SAFETY LEVER	LEVIER DE SÉCURITÉ	SICHERHEITSHEBEL	
11	3654490	1	MOLLA LEVA ACCELERATORE	SPRING	RESSORT	FEDER GASHEBEL	

POS.	CODE	Q.TY	DESCRIZIONE	DESCRIPTION	DESCRIPTION	BESCHREIBUNG	REMARKS
12	3743620	1	LEVA ACCELERATORE	THROTTLE LEVER	LEVIER ACCÉLÉRATEUR	GASHEBEL	
13	3749270	1	POMELLO DI STOP	STOP KNOB	BOUTON D'ARRÊT	STOP-SCHALTER	
14	3612710	1	LAMIERINO DI STOP	STOP PLATE	PLAQUE D'ARRÊT	STOP-PLÄTTCHEN	
15	2123070	1	VITE	SCREW	VIS	SCHRAUBE	
16	3786200/1	1	GUAINA PROTEZIONE CAVI	WIRE SHEATH	GAINÉ CÂBLES	KABELMANTEL	
17	230660070	1	CAVO ACCELERATORE	WIRE ASS.Y	CÂBLE ACCÉLÉR.	STARTERKABEL	
18	3211120	1	CAVO MASSA (NERO)	EARTH CABLE (BLACK)	CÂBLE MASSE (NOIR)	ERDUNGSKABEL (SCHWARZ)	
19	3211490	1	CAVO BOBINA-INTERRUTTORE (ROSSO)	COIL-SWITCH CABLE (RED)	CÂBLE BOBINE-INTER. (ROUGE)	SPULENDRAHT-SCHALTER (ROT)	
20	3744300	1	GOMMINO ANTIVIBRANTE POSTERIORE	REAR SHOCK ABSORBER	CAOUTCHOUC ANTI-VIBRAT. ARRIÈRE	SCHWINGUNGSDÄMPFER	
21	2135150	1	VITE	SCREW	VIS	SCHRAUBE	
22	2432030	1	DADO	NUT	ECROU	MUTTER	
23	2135160	4	VITE	SCREW	VIS	SCHRAUBE	
24	2126050	1	VITE	SCREW	VIS	SCHRAUBE	
25	3112170	1	CUSCINETTO	BEARING	ROUL. À BILLES	KUGELLAGER	
26	3353080	1	ANELLO SEEGER	RING	CIRCLIP	RING	
27	3L8520990/3	1	ASS. MOZZO TRASM. Ø26 (INCL. 24-26)	TRANSM. HUB ASS.Y Ø26 (INCL.24-26)	ENS.MOYEU TRASM. Ø26 (INCL. 24-26)	ANTRIEBSNABE Ø26 (INKL.24-26)	
28	4121861/1	1	CAMPANA FRIZIONE	CLUTCH DRUM	CLOCHE EMBRAYAGE	KUPPLUNGSGLOCKE	
29	3642191	1	MOZZO CUSCINETTO	BEARING HUB	MOYEU ROULEMENT	LAGERNABE	
30	4251400	1	ALBERO TRASMISSIONE (INCL.28-29)	TRANSMISSION SHAFT (INCL.28-29)	ARBRE TRANSMISSION (INCL.28-29)	MOTORWELLE (INKL.28-29)	
31	4251204	1	ASS. TUBO TRASMISSIONE Ø26	TRANSMISSION PIPE ASS.Y	ENS.TUBE TRASM.	SET ROHR PULSE	
32	2312150	2	RONDELLA	WASHER	RONDELLE	UNTERLEGSCHIEBE	
33	2135060	2	VITE	SCREW	VIS	SCHRAUBE	
34	2135030	1	VITE	SCREW	VIS	SCHRAUBE	
35	3615000	1	LAMIERINO TAGLIAFILO	LINE CUTTER	COUPE-FIL	DRAHTSCHERENBLECH	
36	2432040	1	DADO	NUT	ECROU	MUTTER	
37	2312150	1	RONDELLA	WASHER	RONDELLE	UNTERLEGSCHIEBE	
38	3L8563570/1	1	ASS. PARASPRUZZI (INCL. 34-37)	SAFETY COVER ASS.Y (INCL.34-37)	ENS. CAPOT ANTI-PROJECTIONS (INCL. 34-37)	SET SPRITZSCHUTZ (INKL.34-37)	
39	4253460	1	BRETELLA (MOD. 36-41)	HARNESS (MOD.36-41)	HARNAIS (MOD. 36-41)	GURTZEUG (MOD. 36-41)	
-	4253440	1	BRETELLA (MOD. 45-55)	HARNESS (MOD.45-55)	HARNAIS (MOD. 45-55)	GURTZEUG (MOD. 45-55)	

STAR

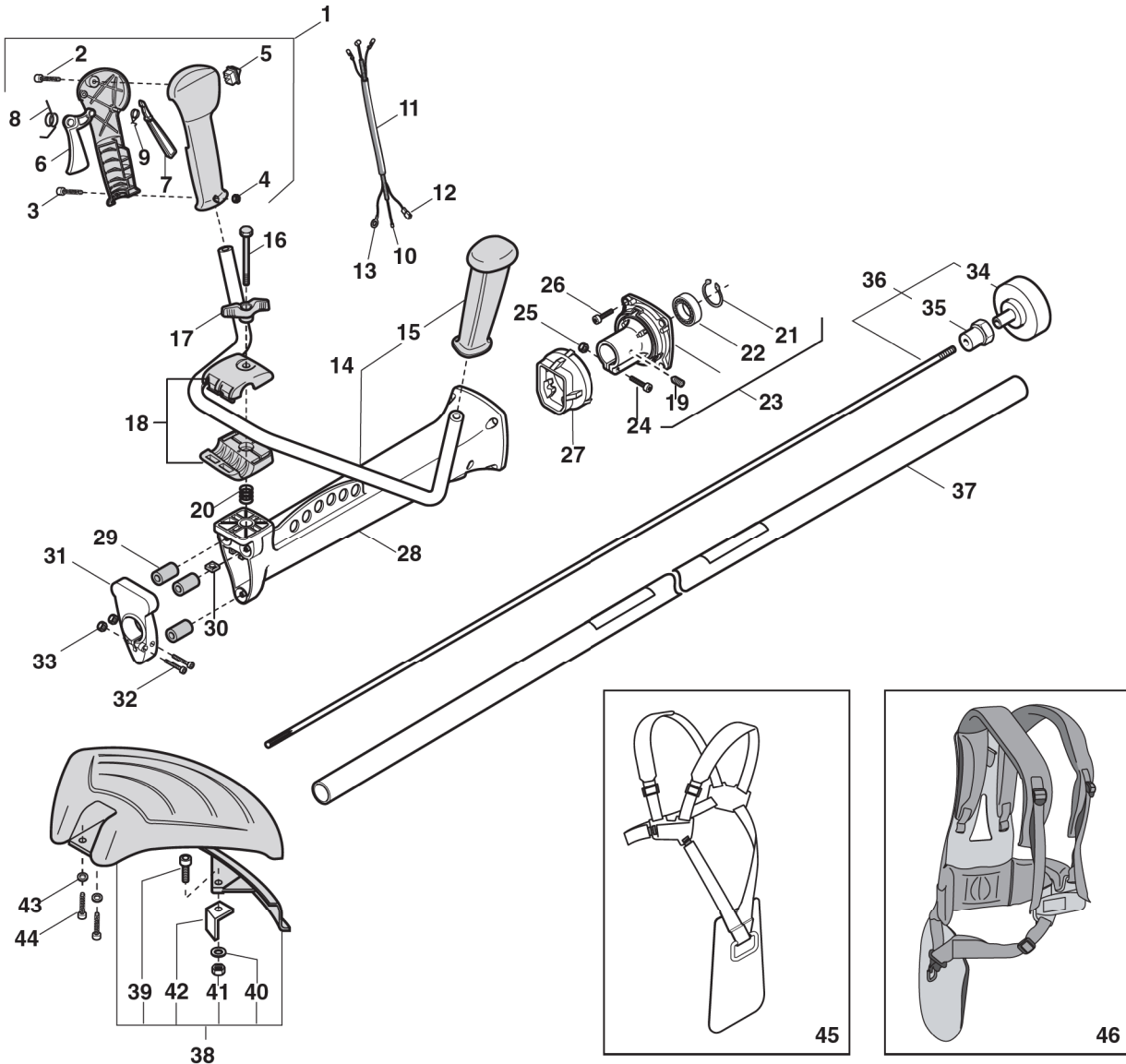
45DP

55DP



2009
DC017b.0

1 / 2



POS.	CODE	Q.TY	DESCRIZIONE	DESCRIPTION	DESCRIPTION	BESCHREIBUNG	REMARKS
1	8563830	1	ASS. IMPUGNATURA (INCL.2-9)	HANDLE ASS.Y (INCL.2-9)	ENS.POIGNÉE (INCL.2-9)	SET HANDGRIFF (INKL.2-9)	
2	2123030	1	VITE	SCREW	VIS	SCHRAUBE	
3	2135050	1	VITE	SCREW	VIS	SCHRAUBE	
4	12154330/0	1	DADO	NUT	ECROU	MUTTER	
5	3210970	1	INTERRUTTORE STOP	STOP SWITCH	INTERRUPTEUR D'ARRÊT	STOP-SCHALTER	
6	3743431/1	1	LEVA ACCELERATORE	THROTTLE LEVER	LEVIER ACCÉLÉRATEUR	GASHEBEL	
7	3743441	1	LEVA DI SICUREZZA	SAFETY LEVER	LEVIER DE SÉCURITÉ	SICHERHEITSHABEL	
8	3654270/1	1	MOLLA LEVA ACCELERATORE	SPRING	RESSORT	FEDER GASHEBEL	
9	3654280/1	1	MOLLA LEVA DI SICUREZZA	SPRING	RESSORT	FEDER SICHERHEITSHABEL	
10	23066008/0	1	CAVO ACCELERATORE	WIRE ASS.Y	CÂBLE ACCÉLÉR.	STARTERKABEL	
11	3786220	1	GUAINA CAVI	WIRE SHEATH	GAINE CÂBLES	KABELMANTEL	
12	3211590	1	CAVO BOBINA-INTERRUTTORE (ROSSO)	COIL-SWITCH CABLE (RED)	CÂBLE BOBINE-INTERRUPT. (ROUGE)	SPULENDRAHT-SCHALTER (ROT)	

POS.	CODE	Q.TY	DESCRIZIONE	DESCRIPTION	DESCRIPTION	BESCHREIBUNG	REMARKS
13	3211600/1	1	CAVO MASSA (NERO)	EARTH CABLE (BLACK)	CÂBLE MASSE (NOIR)	ERDUNGSKABEL (SCHWARZ)	
14	4252840/1	1	MANUBRIO C/MANOPO- LA SX.	HANDLE	GUIDON	HANDGRIFF	
15	3744860/1	1	IMPUGNATURA SX	LEFT KNOB	POIGNÉE GAUCHE	HANDGRIFF LINKS	
16	2112580	1	VITE	SCREW	VIS	SCHRAUBE	
17	3750480	1	GALLETTO	WING NUT	ECROU À OREILLES	FLÜGELMUTTER	
18	8521070	1	ASS. SUPPORTO IMPU- GNATURA	HANDGRIP SUPPORT ASS.Y	ENS.SUPPORT POIGNÉE	SET HANDGRIFFHALTER	
19	2126050	1	VITE	SCREW	VIS	SCHRAUBE	
20	3654530	1	MOLLA	SPRING	RESSORT	FEDER	
21	3353080	1	ANELLO SEEGER	RING	CIRCLIP	RING	
22	3112170	1	CUSCINETTO	BEARING	ROUL. À BILLES	KUGELLAGER	
23	8521000/1	1	ASS.MOZZO TRASM. Ø 28 (INCL.19,21,22)	TRANSMISSION HUB ASS.Y Ø 28	ENS.MOYEU TRANSM. Ø 28	ANTRIEBSNABE Ø 28	
24	2135150	1	VITE	SCREW	VIS	SCHRAUBE	
25	2432030	1	DADO	NUT	ECROU	MUTTER	
26	2135160	4	VITE	SCREW	VIS	SCHRAUBE	
27	3744330	1	GOMMINO ANTIVIB. POSTERIORE	REAR SHOCK ABSOR- BER	CAOUTCHOUC ANTI- VIBRAT. ARRIÈRE	SCHWINGUNGSDÄMPFER	
28	4563850/2	1	CARENATURA	TRANSMISSION HOU- SING	TRANSMISSION CARÉNÉE	GEHÄUSE	
29	3744320	3	GOMMINO ANTIVIB. ANTERIORE	FRONT SHOCK ABSOR- BER	CAOUTCHOUC ANTI- VIBRAT AVANT	SCHWINGUNGSDÄMPFER	
30	3615190	1	PIASTRINA FISSAGGIO MANUBRIO	HANDLE FIXING PLATE	PLAQUE FIXATION GUIDON	HANDGRIFF-BEFESTI- GUNGSPLÄTTCHEN	
31	4563861	1	SUPP. ANT. CARENATURA Ø 28	FRONT HOUSING SUP- PORT Ø 28	SUPP. AVANT CARÉNÉ Ø 28	VORD. HALTER F. GEHÄU- SE Ø 28	
32	2135060	2	VITE	SCREW	VIS	SCHRAUBE	
33	12154330/0	2	DADO	NUT	ECROU	MUTTER	
34	4121861/1	1	CAMPANA FRIZIONE	CLUTCH	CLOCHE EMBRAYAGE	KUPPLUNGSGLOCKE	
35	3642191	1	MOZZO CUSCINETTO	BEARING HUB	MOYEU ROULEMENT	LAGERNABE	
36	4251400	1	ALBERO TRASMISSIONE (INCL.34,35)	TRANSMISSION SHAFT (INCL.34,35)	ARBRE TRANSMISSION (INCL.34,35)	MOTORWELLE (INCL.34,35)	
37	4251724	1	ASS. TUBO TRASMISS. Ø 28	TRANSMISSION PIPE ASS.Y Ø 28	ENS.TUBE TRANSM. Ø 28	SET ROHR PULSE Ø 28	
38	3L8563570/1	1	ASS. PARASPRUZZI (INCL.39-42)	SAFETY COVER ASS.Y (INCL.39-42)	ENS. CAPOT ANTI- PROJECTIONS (INCL.39- 42)	SET SPRITZSCHUTZ (INKL.39-42)	
39	2135030	1	VITE	SCREW	VIS	SCHRAUBE	
40	2312150	1	ROSETTA	WASHER	RONDELLE	SCHEIBE	
41	2432040	1	DADO	NUT	ECROU	MUTTER	
42	3615000	1	LAMIERINO TAGLIAFILO	LINE CUTTER	COUPE-FIL	DRAHTSCHERENBLECH	
43	2312150	2	ROSETTA	WASHER	RONDELLE	SCHEIBE	
44	2135060	2	VITE	SCREW	VIS	SCHRAUBE	
45	4253440	1	BRETELLA	HARNESS	HARNAIS	GURTZEUG	
46	123046000/0	1	BRETELLA PROFI	HARNESS	HARNAIS	GURTZEUG	

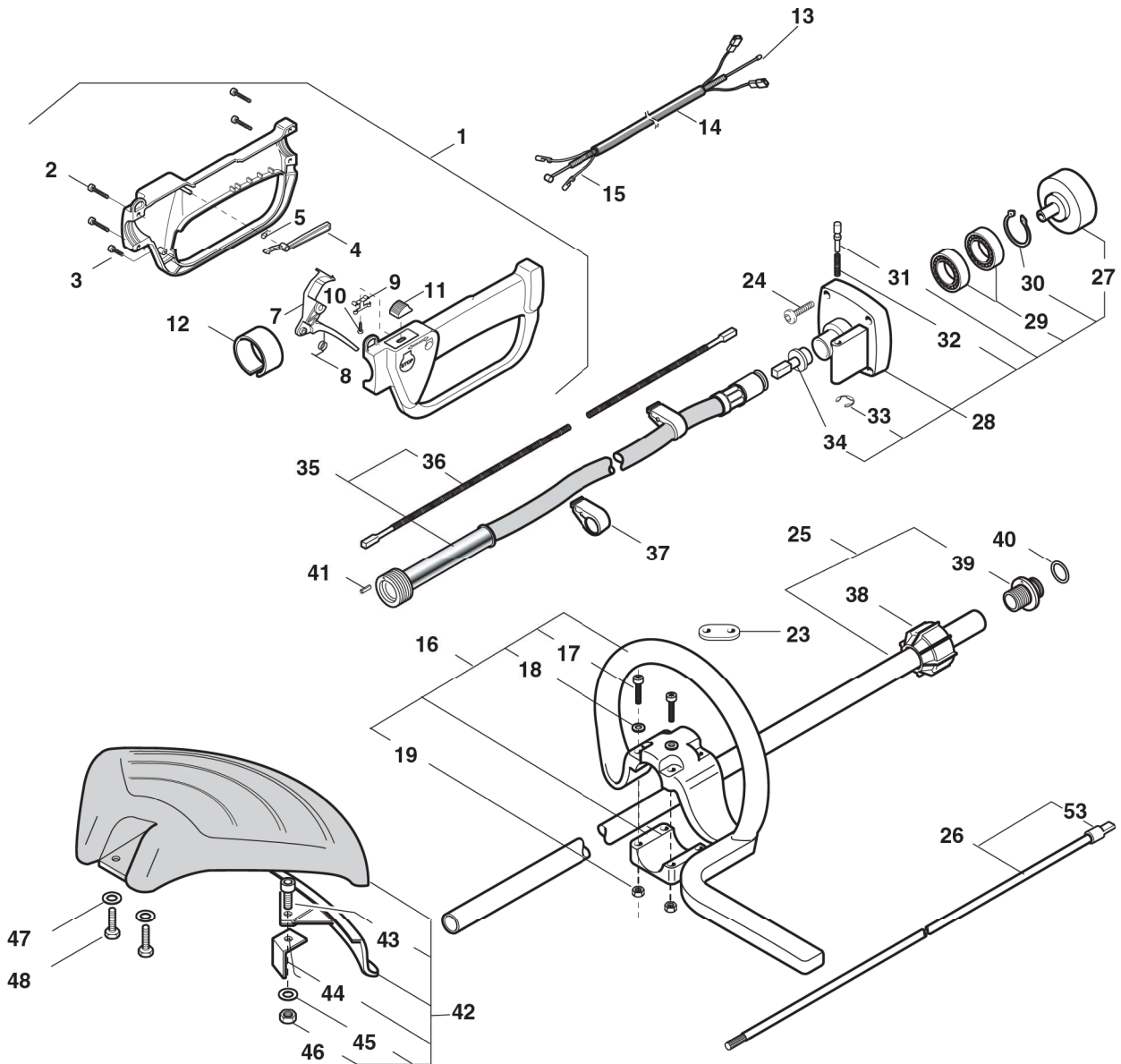
STAR

45FP

55FP



2009
DC017c.0
1 / 2



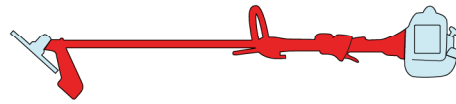
POS.	CODE	Q.TY	DESCRIZIONE	DESCRIPTION	DESCRIPTION	BESCHREIBUNG	REMARKS
1	8562620/1	1	ASS. IMPUGNATURA POST. (INCL.2-12)	HANDLE ASS.Y (INCL.2-12)	ENS.POIGNÉE (INCL.2-12)	SET HANDGRIFF HINTEN (INCL.2-12)	
2	2123030	4	VITE	SCREW	VIS	SCHRAUBE	
3	2123100	2	VITE	SCREW	VIS	SCHRAUBE	
4	3743475	1	LEVA DI SICUREZZA	SAFETY LEVER	LEVIER DE SÉCURITÉ	SICHERHEITSHEBEL	
5	3654300	1	MOLLA LEVA DI SICUREZZA	SPRING	RESSORT	FEDER SICHERHEITSHEBEL	
7	3743465	1	LEVA ACCELERATORE	THROTTLE LEVER	LEVIER ACCÉLÉRATEUR	GASHEBEL	
8	3654270/1	1	MOLLA LEVA ACCELERATORE	SPRING	RESSORT	FEDER GASHEBEL	
9	3612710	1	LAMIERINO DI STOP	STOP PLATE	PLAQUE D'ARRÊT	STOP-PLÄTTCHEN	
10	2123070	1	VITE	SCREW	VIS	SCHRAUBE	
11	3749270	1	POMELLO DI STOP	STOP KNOB	BOUTON D'ARRÊT	STOP-SCHALTER	
12	3750290	2	RIDUZIONE	REDUCTION	RÉDUCTION	REDUZIERSTÜCK	
13	23066009/0	1	CAVO ACCELERATORE	WIRE ASS.Y	CÂBLE ACCÉLÉR.	STARTERKABEL	
14	3782680	1	GUAINA CAVI	WIRE SHEATH	GAINÉ CÂBLES	KABELMANTEL	

POS.	CODE	Q.TY	DESCRIZIONE	DESCRIPTION	DESCRIPTION	BESCHREIBUNG	REMARKS
15	8211390	1	COPPIA CAVI STOP	STOP CABLE COUPLE	PAIRE CÂBLES ARRÊT	KABELPAARSTOP	
16	8563600	1	ASS. IMPUGNATURA ANT. (INCL.17-19)	FRONT HANDLE ASS.Y (INCL.17-19)	ENS.POIGNÉE AVANT (INCL.17-19)	SET HANDGRIFF VORNE (INCL.17-19)	
17	2135050	4	VITE	SCREW	VIS	SCHRAUBE	
18	2312090	4	ROSETTA	WASHER	RONDELLE	SCHEIBE	
19	2412030	4	DADO	NUT	ECROU	MUTTER	
23	3614980	1	ASOLA IMPUGNATURA X CORDA ELASTICA	HANDLE-HOLE FOR ELASTIC CORD	CEILLET POIGNÉE POUR CORDE ÉLASTIQUE	HANDGRIFFÖSE X ELA- STISCHES SEIL	
24	2135160	4	VITE	SCREW	VIS	SCHRAUBE	
25	4252390	1	ASS. TURO TRASMISSIO- NE (INCL.39)	TRANSM. PIPE ASS.Y (INCL.39)	ENS.TURB TRANSM. (INCL.39)	SFT ROHR PULSF (INCL.39)	
26	8630150	1	ASS.ALBERO TRASMIS- SIONE (INCL.53)	TRANSM.SHAFT ASS.Y (INCL.53)	ENS.ARBRE TRANSM. (INCL.53)	SET MOTORWELLE (INCL.53)	
27	4121861/1	1	CAMPANA FRIZIONE	CLUTCH DRUM	CLOCHE EMBRAYAGE	KUPPLUNGSGLOCKE	
28	8540910	1	ASS.SUPPORTO TRA- SMISSIONE (INCL.27,29- 34)	SUPPORT TRANSM. (INCL.27,29-34)	SUPP. TRANSM. (INCL.27,29-34)	GETRIEBEPLATTFORM (INCL.27,29-34)	
29	3112170	2	CUSCINETTO	BEARING	ROUL. À BILLES	KUGELLAGER	
30	3353080	1	ANELLO SEEGER	RING	CIRCLIP	RING	
31	3642420	1	PERNO	PIN	TOURILLON	STIFT	
32	3654170	1	MOLLA	SPRING	RESSORT	FEDER	
33	3351050	1	FERMO	RETAINER	BUTOIR	SPERRUNG	
34	3642430	1	MOZZO	HUB	MOYEU	NABE	
35	4122110/1	1	ASS.ALBERO FLEX C/ GUAINA J (INCL.36)	FLEX SHAFT ASS.Y J (INCL.36)	ENS.ARBRE FLEX J (INCL.36)	FLEX WELLENEINHEIT J (INCL.36)	
36	4253990/1	1	ALBERO FLESSIBILE J	FLEXIBLE SHAFT J	ARBRE FLEXIBLE J	BIEGSAME WELLE J	
37	3749310	2	FASCETTA FERMACAVI	CLIP	COLLIER	KABELKLEMME	
38	3750270	1	GHIERA FISSAGGIO IMPUGNATURA	PLATE FOR HANDLE FIXING	VIROLE FIXATION POI- GNÉE	RING GRIFFBEFESTI- GUNG	
39	3643220	1	MANICOTTO FILETTATO X FLEX Ø28	FLEX THREADED COU- PLING Ø28	MANCHON FILETÉ POUR FLEX Ø28	FLEX GEWINDEMUFFE Ø28	
40	3721540	1	ANELLO OR	OR RING	JOINT OR	OR-DICHTUNG	
41	3314040	1	SPINA DI CENTRAGGIO	CENTRING PIN	GOUPILLE DE CENTRA- GE	ZENTRIERSTIFT	
42	3L8563570/1	1	ASS.PARASPRUZZI (INCL.43-46)	SAFETY COVER ASS.Y (INCL.43-46)	ENS. CAPOT ANTI- PROJECTIONS (INCL.43- 46)	SPRITZSCHUTZ (INCL.43- 46)	
43	2135030	1	VITE	SCREW	VIS	SCHRAUBE	
44	3615000	1	LAMIERINO TAGLIAFILO	LINE CUTTER	COUPE-FIL	DRAHTSCHERENBLECH	
45	2312150	1	ROSETTA	WASHER	RONDELLE	SCHEIBE	
46	2432040	1	DADO	NUT	ECROU	MUTTER	
47	2312150	2	ROSETTA	WASHER	RONDELLE	SCHEIBE	
48	2135060	2	VITE	SCREW	VIS	SCHRAUBE	
53	3642290	1	RACCORDO INNESTO FLEX Ø28	FLEX JOINT Ø28	RACCORD FLEX Ø28	DEHNBARER ANSCHLUSS Ø28	

STAR

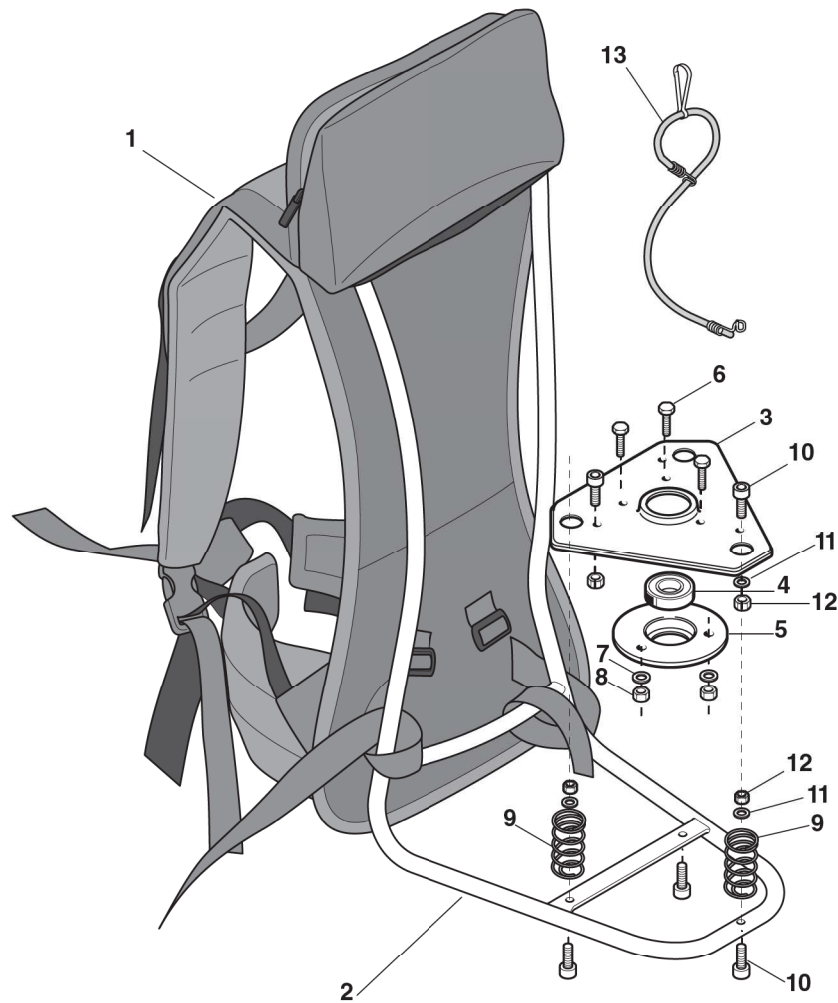
45FP

55FP



2009
DC017d.0

1 / 1

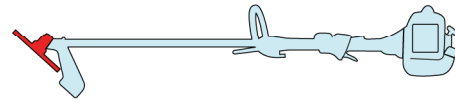


POS.	CODE	Q.TY	DESCRIZIONE	DESCRIPTION	DESCRIPTION	BESCHREIBUNG	REMARKS
1	123046003/0	1	BRETELLA	HARNESS	HARNAIS	GURTZEUG	
2	383801101/0	1	ASS. TELAIO ZAINO	KNAP SACK FRAME ASS.Y	STRUCT. SAC À DOS	RAHMEN RUCKSACK	
3	4612280	1	PIASTRA SUPPORTO MOTORE	ENGINE SUPPORT	SUPPORT MOTEUR	MOTORSTÜTZPLATTE	
4	3112170	1	CUSCINETTO	BEARING	ROUL. À BILLES	KUGELLAGER	
5	4612020	1	FLANGIA CUSCINETTO	BEARING FLANGE	BRIDE ROULEMENT	LAGERFLANSCH	
6	2112260	3	VITE	SCREW	VIS	SCHRAUBE	
7	2312090	3	ROSETTA	WASHER	RONDELLE	SCHEIBE	
8	2432040	3	DADO	NUT	ECROU	MUTTER	
9	3654360	3	MOLLA ANTIVIB.ZAINO	SPRING	RESSORT	FEDER	
10	2132110	6	VITE	SCREW	VIS	SCHRAUBE	
11	2312130	6	ROSETTA	WASHER	RONDELLE	SCHEIBE	
12	2432030	6	DADO	NUT	ECROU	MUTTER	
13	4252430	1	CORDA ELASTICA	ELASTIC CORD	CORDE ÉLASTIQUE	ELASTISCHES SEIL	

STAR

45P

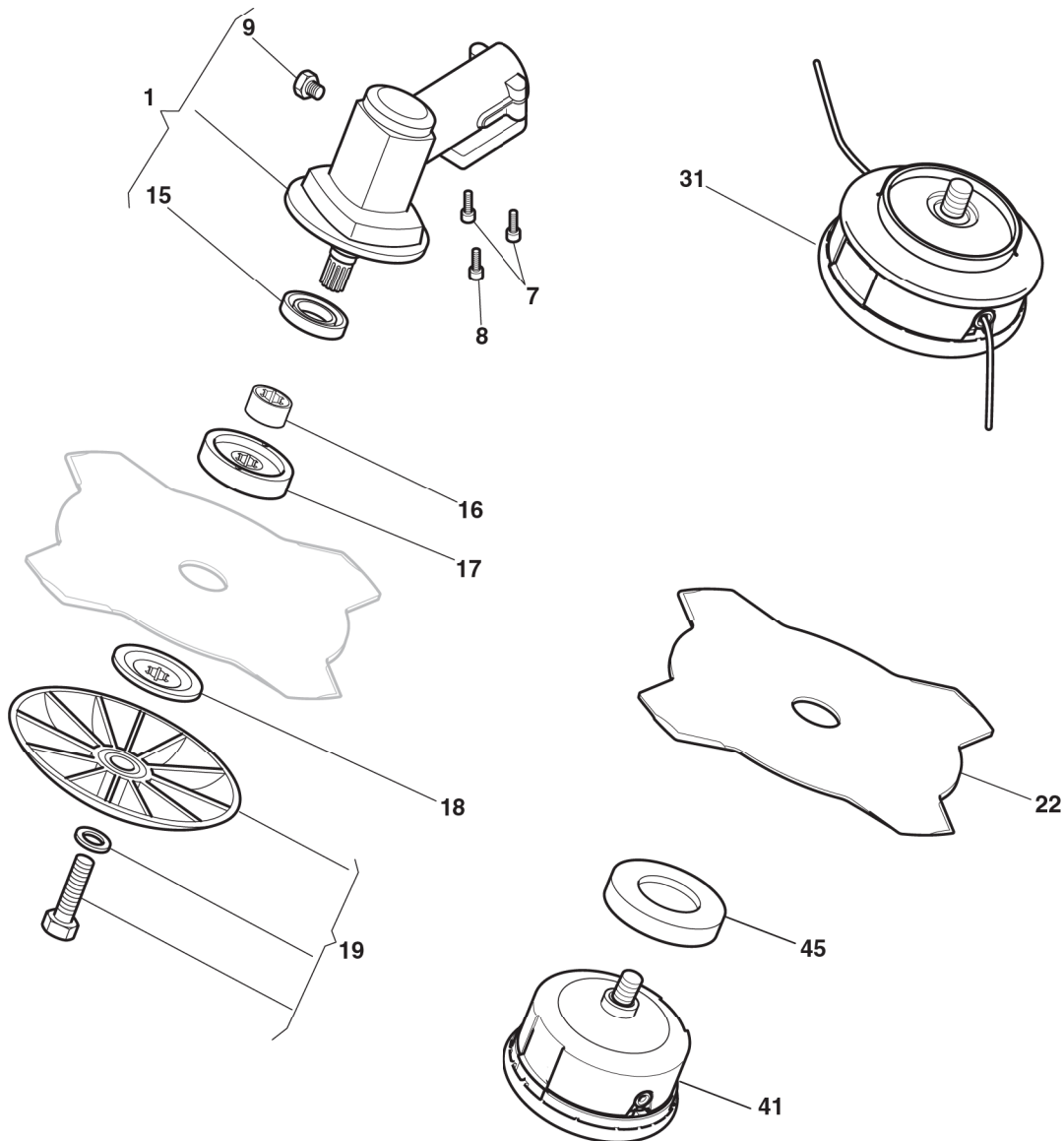
55P



2009

DC017e.0

1 / 1



POS.	CODE	Q.TY	DESCRIZIONE	DESCRIPTION	DESCRIPTION	BESCHREIBUNG	REMARKS
1	4252780/1	1	ASS.TESTINA INGRANAGGI Ø26MM	GEAR CASE ASSY Ø26MM	ENS.BOÎTE ENGREN. Ø26MM	SET ZAHNRADGETRIEBE Ø26MM	
7	2135050	2	VITE	SCREW	VIS	SCHRAUBE	
8	2653090	1	VITE	SCREW	VIS	SCHRAUBE	
9	2653460	1	VITE	SCREW	VIS	SCHRAUBE	
15	3121170	1	ANELLO DI TENUTA	SEAL RING	ANNEAU DE TENUE	DICHTRING	
16	3641700/1	1	COLLARE	COLLAR	COLLIER	STELLRING	
17	3641640	1	GHIERA SUPERIORE	UPPER RING NUT	BAGUE SUPÉRIEURE	OBERER RINGBOLZEN	
18	3612640	1	GHIERA INFERIORE	LOWER RING NUT	BAGUE INFÉRIEURE	UNTERER RINGBOLZEN	
19	4560610	1	COPPA FISSA	STABILIZER	STABILISATEUR	STABILISATOR	
20	2321230	1	ROSETTA	WASHER	RONDELLE	SCHEIBE	
21	2653170	1	VITE	SCREW	VIS	SCHRAUBE	
22	4611880	1	DISCO 4 PUNTE 25 CM	4 TEETH DISC 25 CM	LAME À 4 DENTS 25 CM	SCHEIBE / 4 ZÄHNE 25 CM	
31	4353240/1	1	TESTINA 2 FILI TAP & GO	2 HEDGES NYLON HEAD	TÊTE À 2 FILS NYLON	2 DRAHTSCHEIBE	
41	4353000	1	TESTINA TAP & GO PROFI	2 HEDGES NYLON HEAD PROFI	TÊTE À 2 FILS NYLON PROFI	2 DRAHTSCHEIBE PROFI	
45	3614950	1	PIATTELLO	PLATE	TOURNETTE	TELLER	

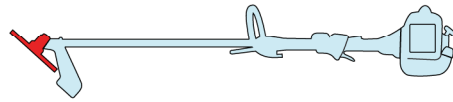
STAR

45DP

45FP

55DP

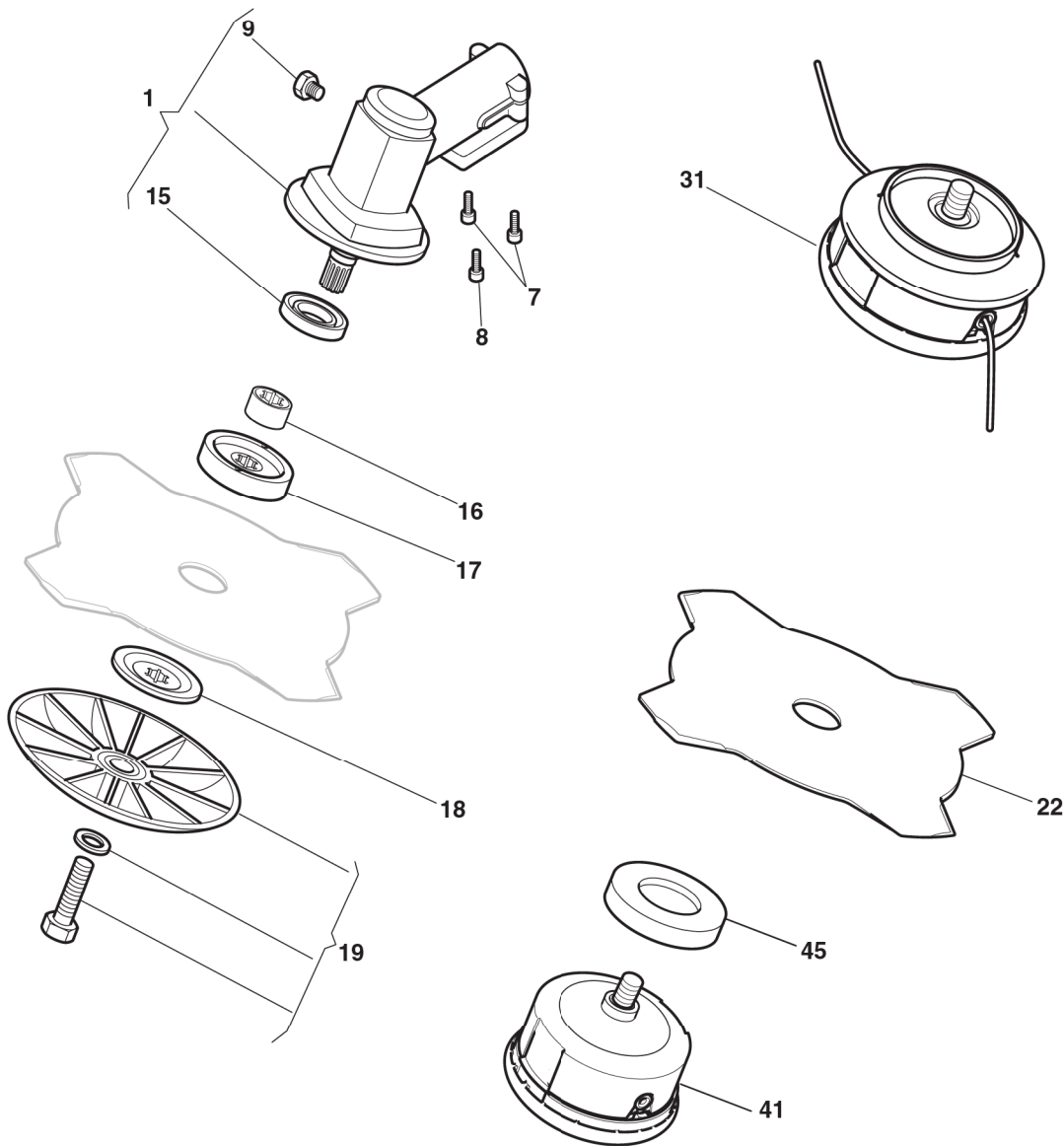
55FP



2009

DC017f.0

1 / 1

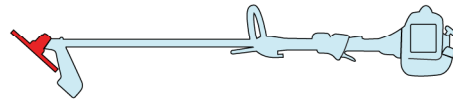


POS.	CODE	Q.TY	DESCRIZIONE	DESCRIPTION	DESCRIPTION	BESCHREIBUNG	REMARKS
1	4252790/1	1	ASS.TESTINA Ø28MM	GEAR CASE ASSY Ø28	ENS.BOÎTE ENGREN. Ø28	SET ZAHNRADGETRIEBE Ø28	
7	2135050	2	VITE	SCREW	VIS	SCHRAUBE	
8	2653090	1	VITE	SCREW	VIS	SCHRAUBE	
9	2653460	1	VITE	SCREW	VIS	SCHRAUBE	
15	3121170	1	ANELLO DI TENUTA	SEAL RING	ANNEAU DE TENUE	DICHTRING	
16	3641700/1	1	COLLARE	COLLAR	COLLIER	STELLRING	
17	3641640	1	GHIERA SUPERIORE	UPPER RING NUT	BAGUE SUPÉRIEURE	OBERER RINGBOLZEN	
18	3612640	1	GHIERA INFERIORE	LOWER RING NUT	BAGUE INFÉRIEURE	UNTERER RINGBOLZEN	
19	4560610	1	COPPA FISSA	STABILIZER	STABILISATEUR	STABILISATOR	
20	2321230	1	ROSETTA	WASHER	RONDELLE	SCHEIBE	
21	2653170	1	VITE	SCREW	VIS	SCHRAUBE	
22	4611880	1	DISCO 4 PUNTE 25 CM	4 TEETH DISC 25 CM	LAME À 4 DENTS 25 CM	SCHEIBE / 4 ZÄHNE 25 CM	
31	4353240/1	1	TESTINA 2 FILI TAP & GO	2 HEDGES NYLON HEAD	TÊTE À 2 FILS NYLON	2 DRAHTSCHEIBE	
41	4353000	1	TESTINA TAP & GO PROFI	2 HEDGES NYLON HEAD PROFI	TÊTE À 2 FILS NYLON PROFI	2 DRAHTSCHEIBE PROFI	
45	3614950	1	PIATTELLO	PLATE	TOURNETTE	TELLER	

STAR

45P

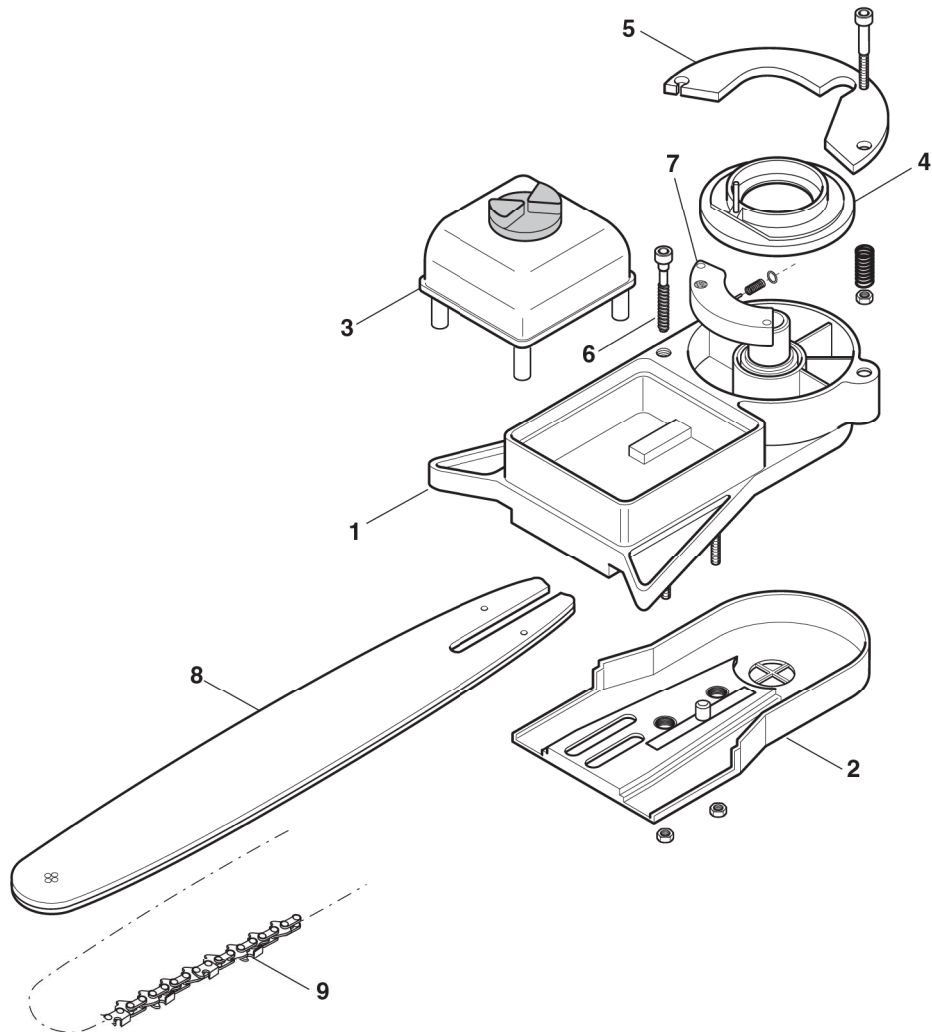
55P



2009

DC017g.0

1 / 1

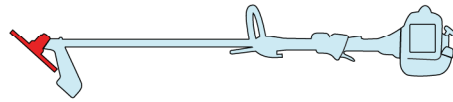


POS.	CODE	Q.TY	DESCRIZIONE	DESCRIPTION	DESCRIPTION	BESCHREIBUNG	REMARKS
1	6910501	1	ASS. CARTER TRASMISSIONE Ø26	TRANSMISSION CASE ASS.Y Ø26	ENS.CARTER TRANSMISSION Ø26	ANTRIEBSGEH. Ø26	
2	6910502	1	CARTER CATENA	CHAIN HOUSING	CARTER CHAÎNE	KETTENGEGÄUÛE	
3	6910503	1	SERBATOIO OLIO	OIL TANK	RÉSERVOIR HUILE	ÖLTANK	
4	6910505	1	COPERCHIO Ø26	COVER Ø26	COUVERCLE Ø26	ABDECKUNG Ø26	
5	6910506	1	FLANGIA	FLANGE	BRIDE	FLANSCH	
6	6910507	1	VITE	SCREW	VIS	SCHRAUBE	
7	6910508	1	ASS. POMPA OLIO	OIL PUMP ASS.Y	POMPE À HUILE	SET ÖLPUMPE	
8	4112610	1	BARRA GUIDA 10"	GUIDE BAR 10"	GUIDE-CHAÎNE 10"	KETTENSTEG 10"	10" 3/8" .042" (1.1 MM)
9	4113551	1	CATENA 10"	CHAIN 10"	CHAÎNE 10"	KETTE 10"	10" 3/8" .042" (1.1 MM) - 38E

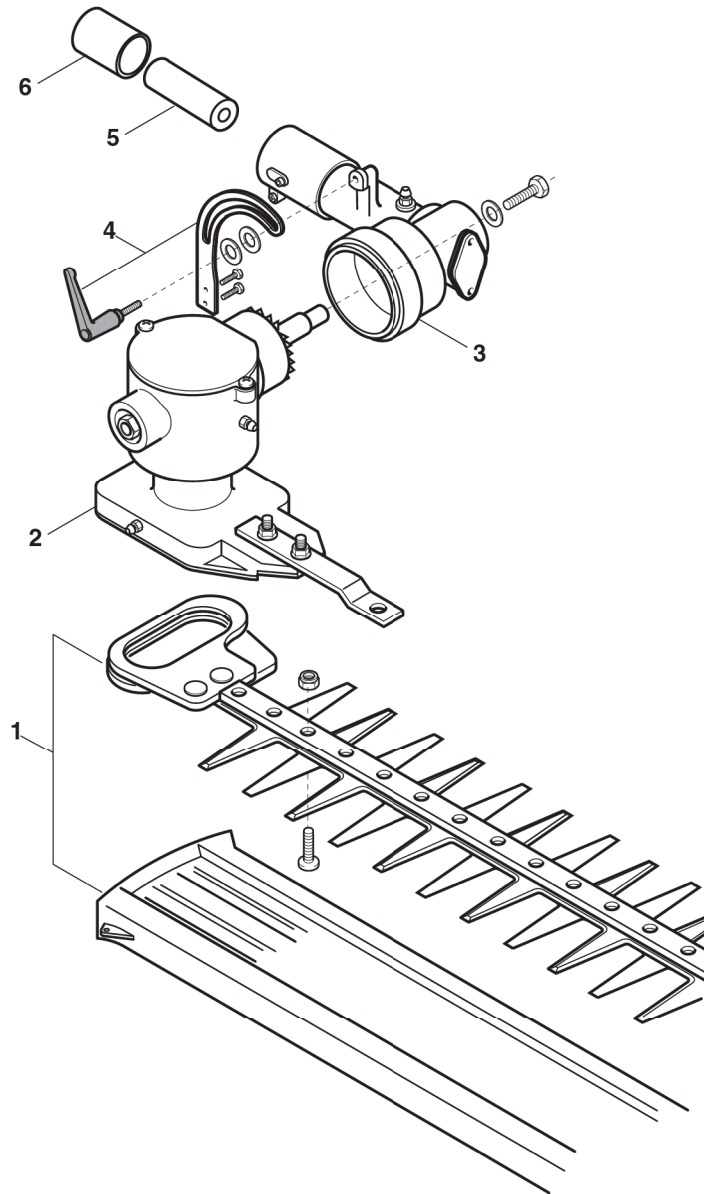
STAR

45P

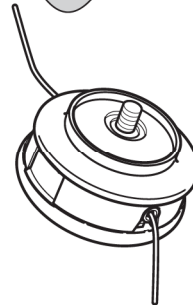
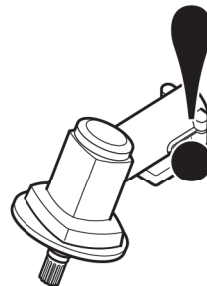
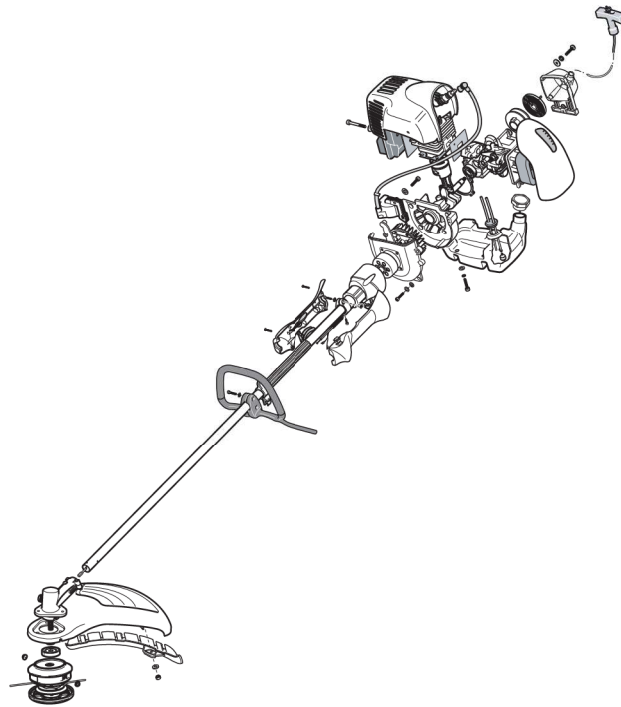
55P



2009
DC017h.0
 1 / 1



POS.	CODE	Q.TY	DESCRIZIONE	DESCRIPTION	DESCRIPTION	BESCHREIBUNG	REMARKS
1	6910520	1	ASS. LAME	BLADE ASS.Y	ENS.LAME	KLINGEN	
2	6910521	1	ASS. CARTER TRASMISSIONE	TRANSMISSION SHAFT ASS.Y	ENS.CARTER TRANSMISSION	ANTRIEBSGEH.	
3	6910524	1	ASS. TESTINA	GEAR CASE ASS.Y	ENS.BOÎTE ENGRENAGE	ANTRIEBSGEHÄUSE	
4	6910523	1	LEVA+STAFFA DI REGOLAZIONE	LEVER+REGULATION ROD	LEVIER+BARRE DE RÉGLAGE	HEBEL+REGELUNGSBÜGEL	
5	4252640	1	MANICOTTO	COUPLING	MANCHON	MUFFE	
6	2382430	1	DISTANZIALE	SPACER	ENTRETOISE	ENTFERNUNGSSTÜCK	



USARE SOLO RICAMBI ORIGINALI!
USE ONLY GENUINE SPARE PARTS!
UTILISER DES PIÈCES DE RECHANGE D'ORIGINE!
NUR ORIGINALERSATZTEILE VERWENDEN!